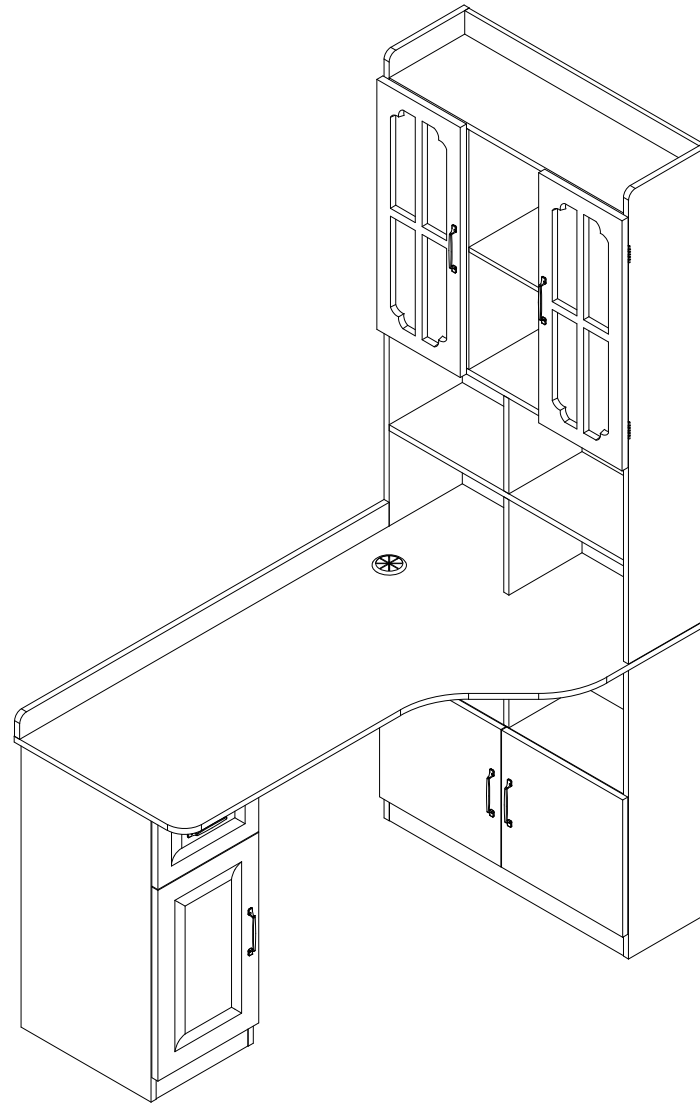
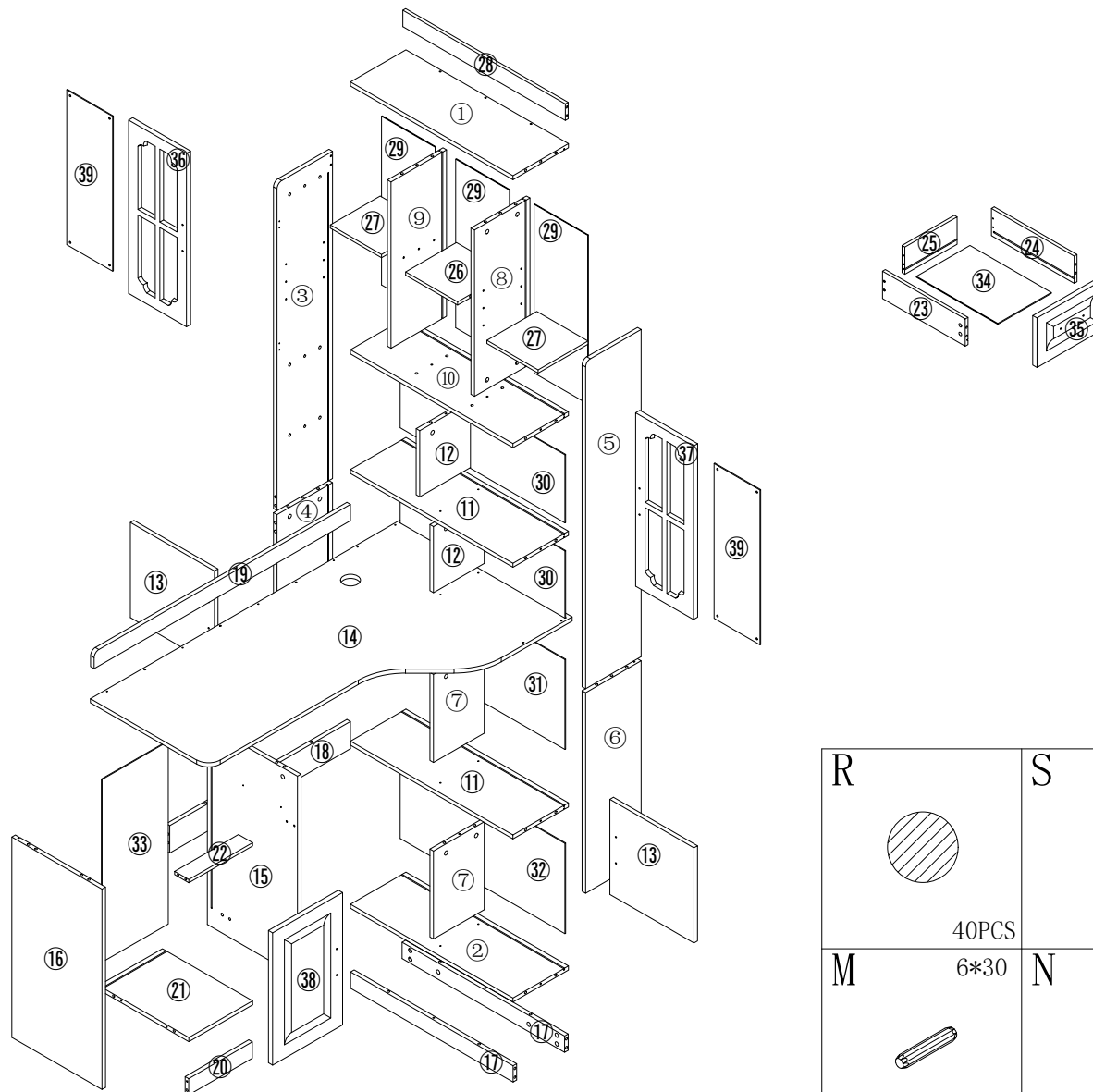



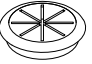


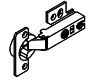


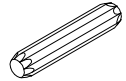



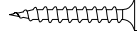
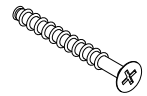


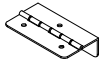
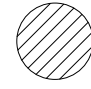





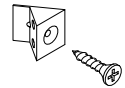


Installation & Assembly

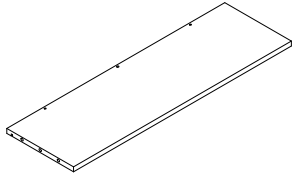




U	6*10	V	4*22
			
8PCS		8PCS	
P	3.5*12	Q	Ø60
			
4PCS		1PCS	
K	350mm	L	
 			
1PCS		6PCS	
A		B	
			
68PCS		68PCS	
C	8*40	D	3.5*14
			
38PCS		76PCS	
E		F	3.5*30
 			
18PCS		4PCS	
G	7*50	H	96mm
			
16PCS		6PCS	
I	4*18	J	
			
4PCS		4PCS	

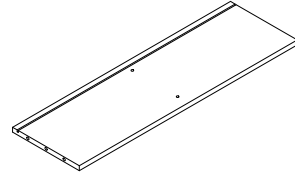
R		S		T	T ₁ T ₂
				 	
40PCS		8PCS		2PCS	
M	6*30	N		O	
					
3PCS		2PCS		32PCS	

1



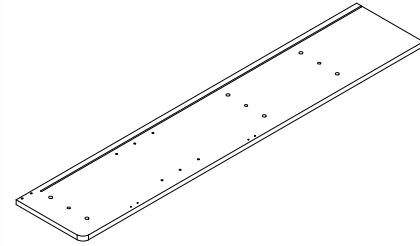
688*235 1PS

2



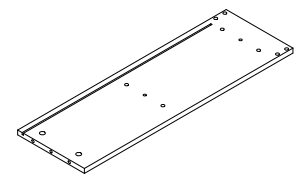
688*235 1PS

3



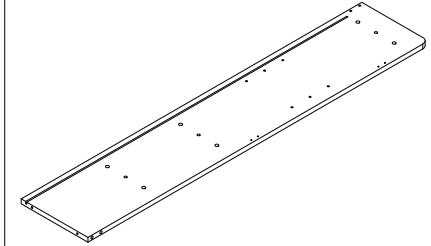
1200*235 1PS

4



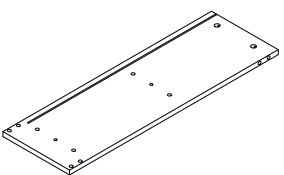
735*235 1PS

5



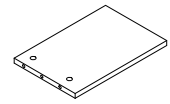
1200*235 1PS

6



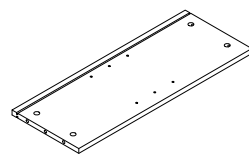
735*235 1PS

7



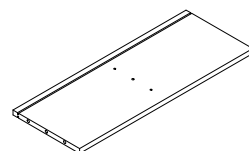
322.5*215 2PS

8



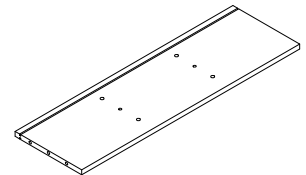
610*235 1PS

9



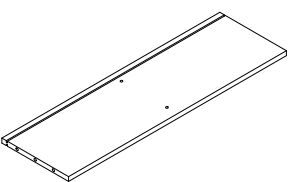
610*235 1PS

10



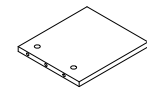
688*235 1PS

11



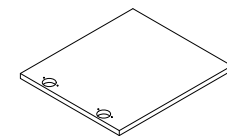
688*235 2PS

12



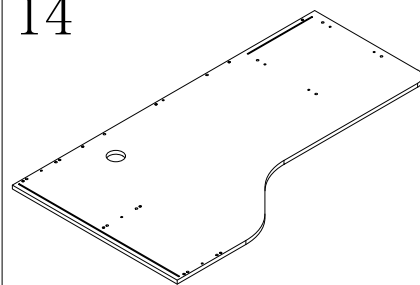
242.5*215 2PS

13



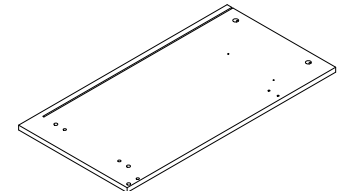
356*349 2PS

14



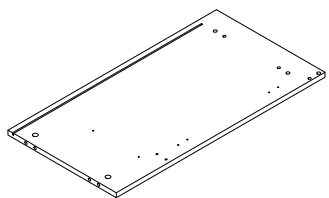
1320*720 1PS

15



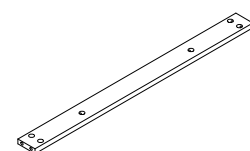
735*382 1PS

16



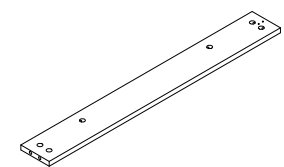
735*382 1PS

17



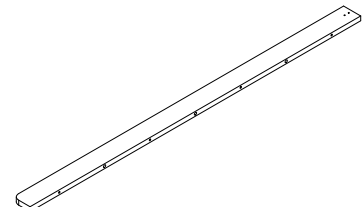
688*60 2PS

18



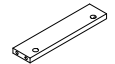
765*100 1PS

19



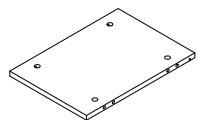
1085*60 1PS

20



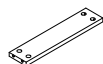
270*60 1PS

21



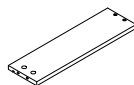
382*270 1PS

22



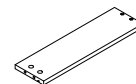
270*60 1PS

23



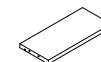
350*100 1PS

24



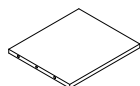
350*100 1PS

25



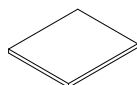
221*100 1PS

26



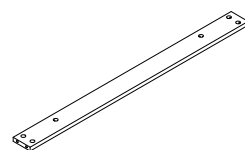
220*215 1PS

27



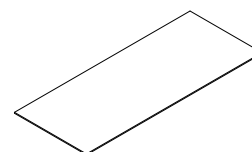
217*211 2PS

28



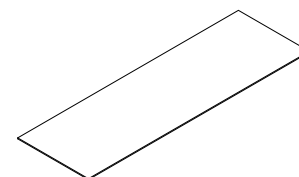
688*60 1PS

29



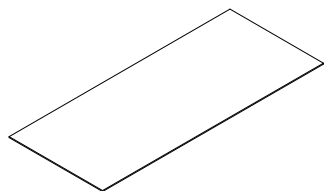
618.5*227 3PS

30



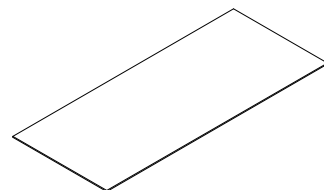
698*249.5 2PS

31



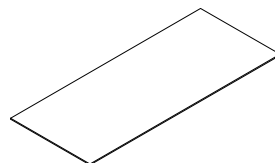
698*329.5 1PS

32



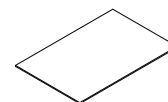
698*331 1PS

33



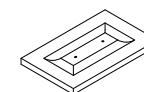
670*280 1PS

34



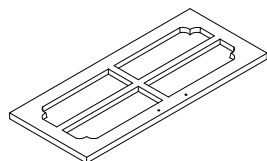
345*227 1PS

35



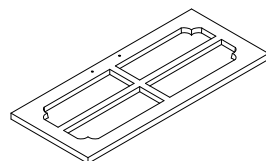
296*181.5 1PS

36



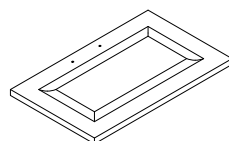
636*245 1PS

37



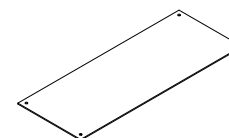
636*245 1PS

38



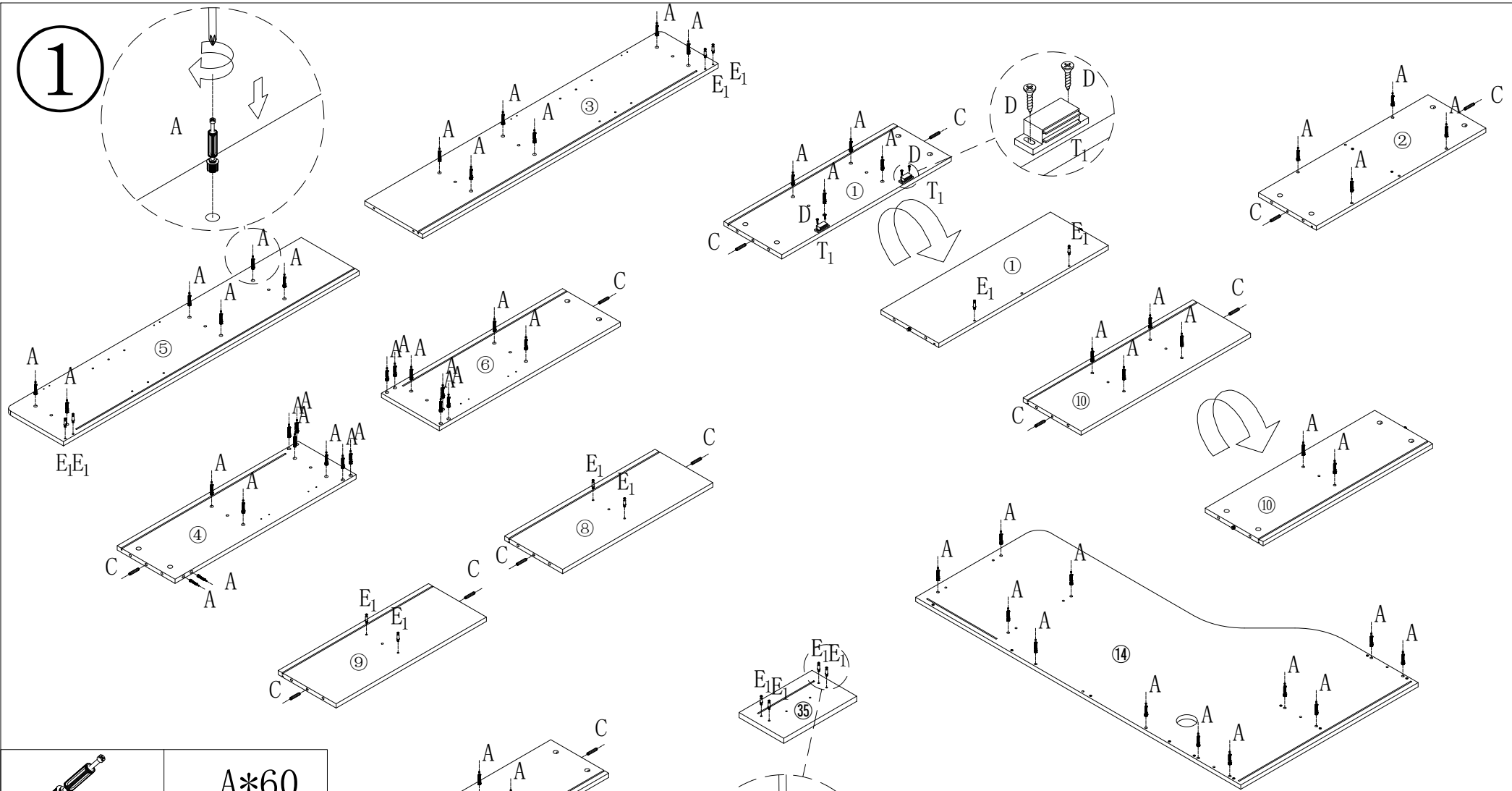
485*296 1PS

39

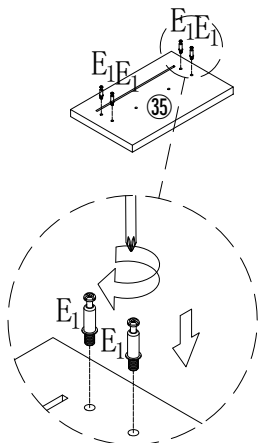
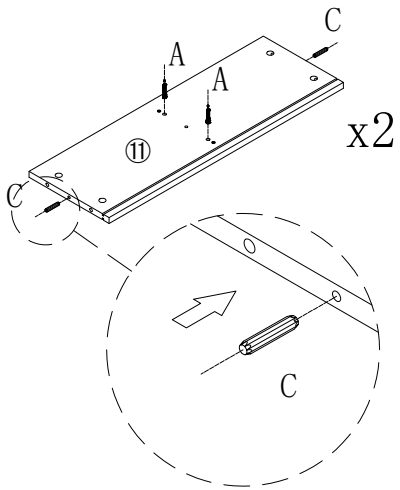


568*194.5 2PS

1

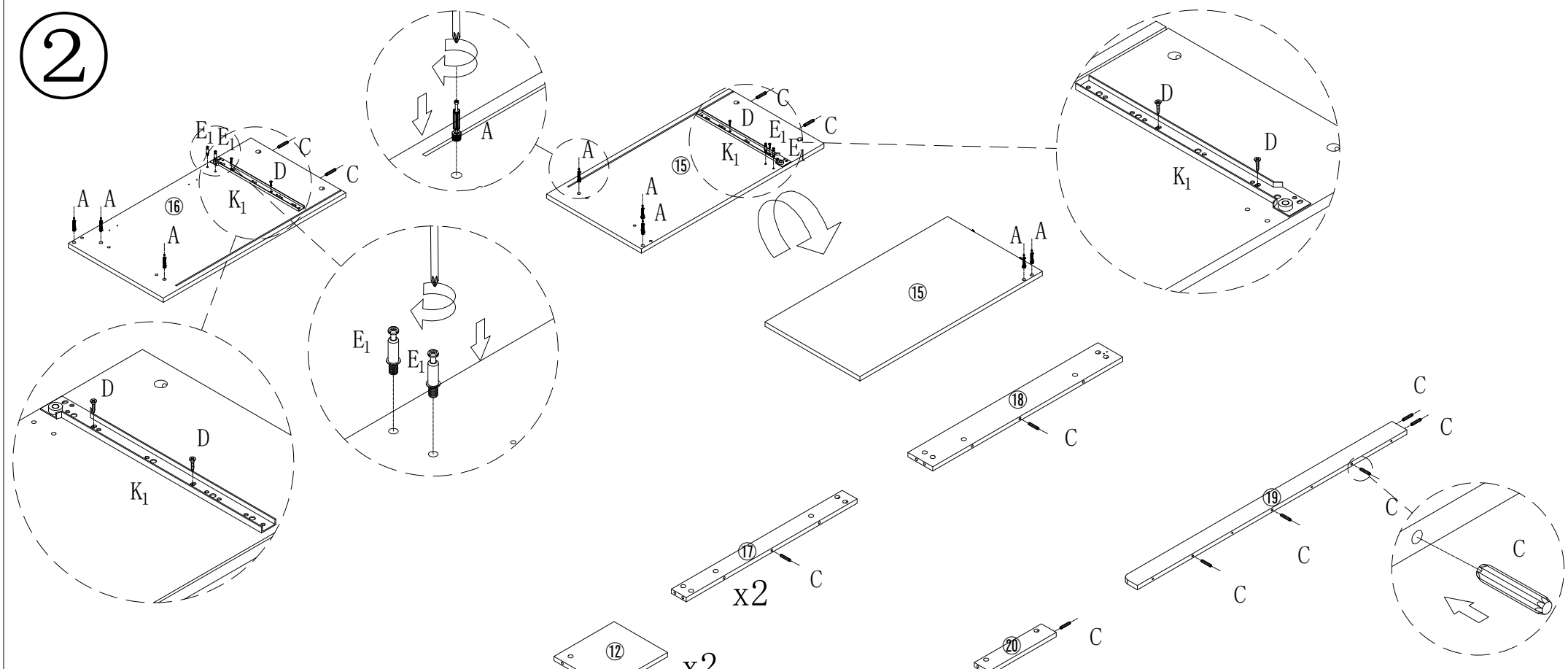



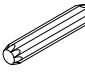


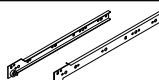
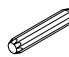
	A*60
	C*16
	D*4
	E1*14
	T1*2

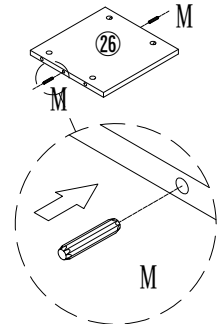
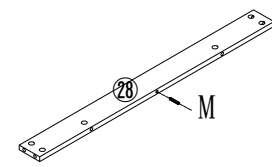
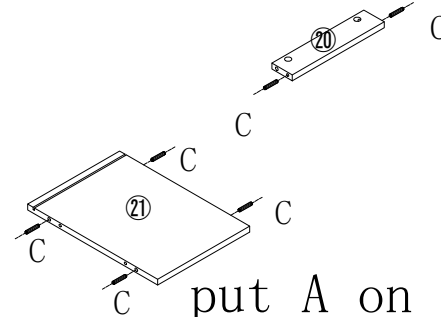
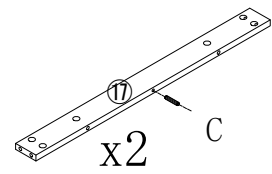
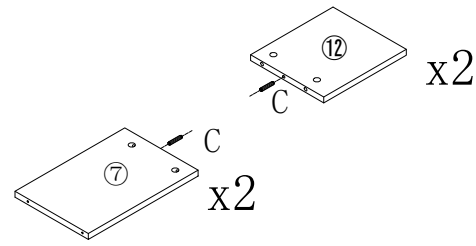


put A on board ①②③④⑤⑥ ⑩⑪⑭
 put C on board ①②④⑥⑧⑨⑩⑪
 put E₁ on board ①③⑤⑧⑨ ⑳
 put D T₁ on board ①

2

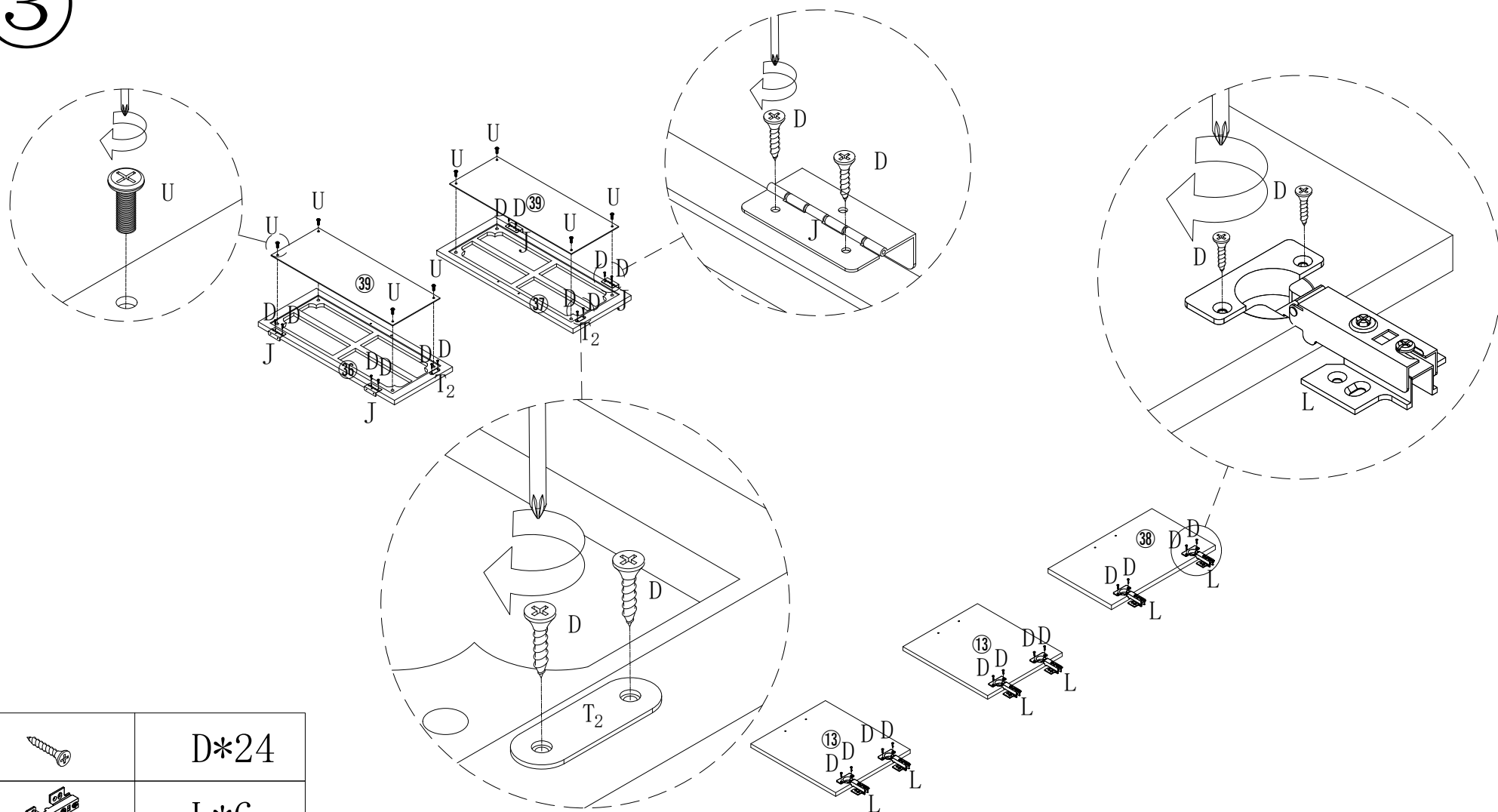



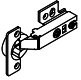


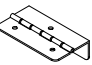
	A*8
	C*22
	D*4
	E1*4
	K1*1
	M*3



put A on board 15 16
 put C on board 7 12 15 16 17 18 19 20 21
 put D K1 on board 15 16
 put E1 on board 15 16
 put M on board 26 28

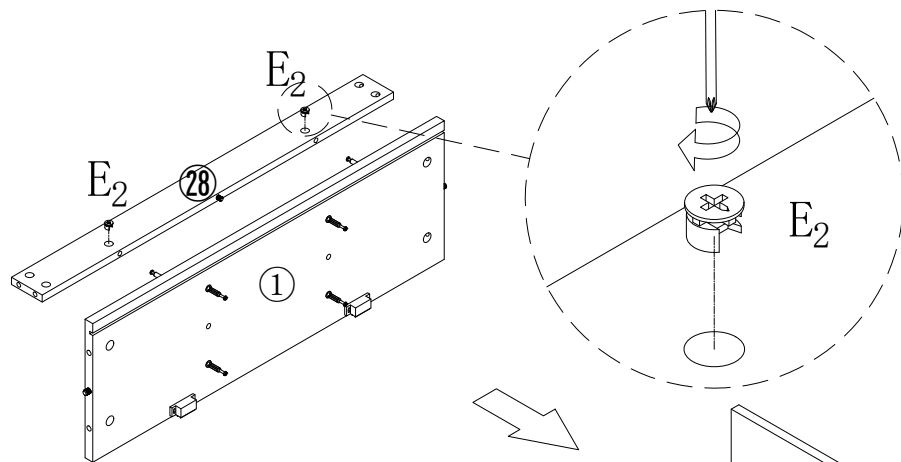
3



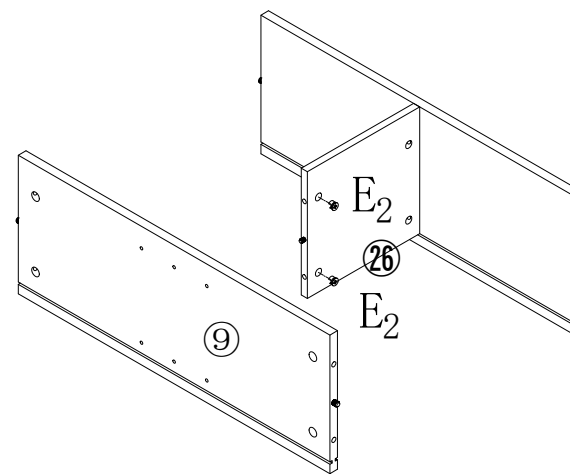
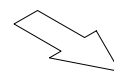
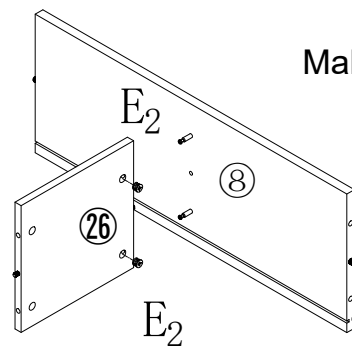
	D*24
	L*6
	T ₂ *2
	U*8
	J*4

put D T₂ on board ③⑥③⑦
 put D L on board ⑬③⑧
 put D J on board ③⑥③⑦
 put U on board ③⑨

4



Make sure the arrow on the screw align to the hole on the side.



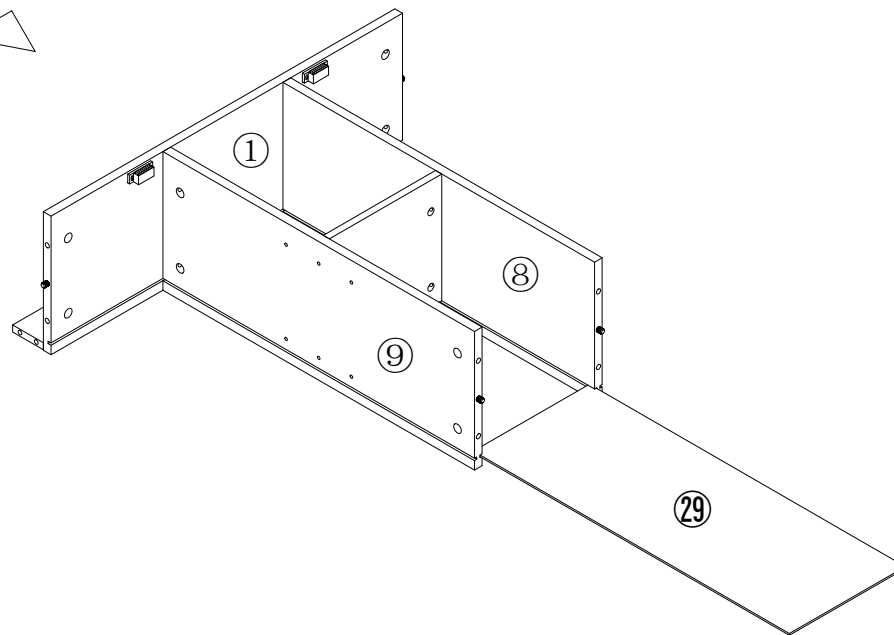
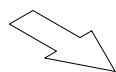
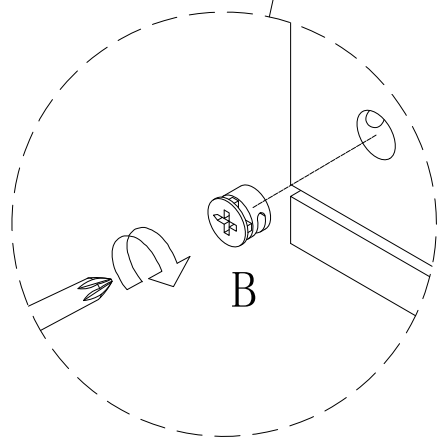
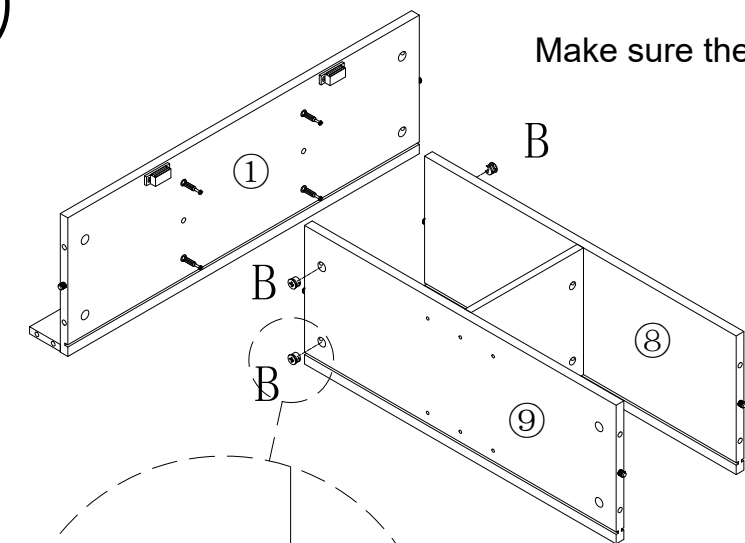
put E₂ on board 26 28



E₂*6

5

Make sure the arrow on the screw align to the hole on the side.

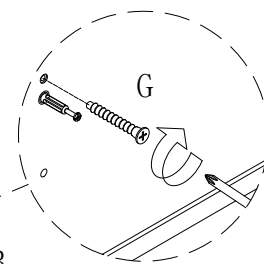
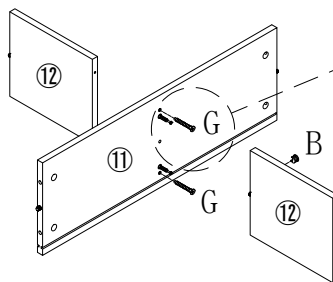
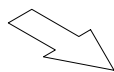
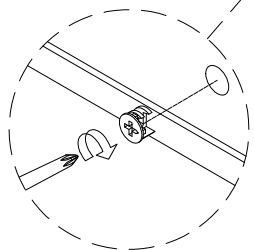
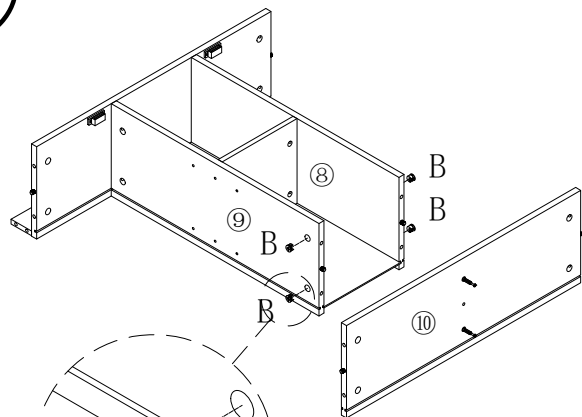


put B on board 8 9

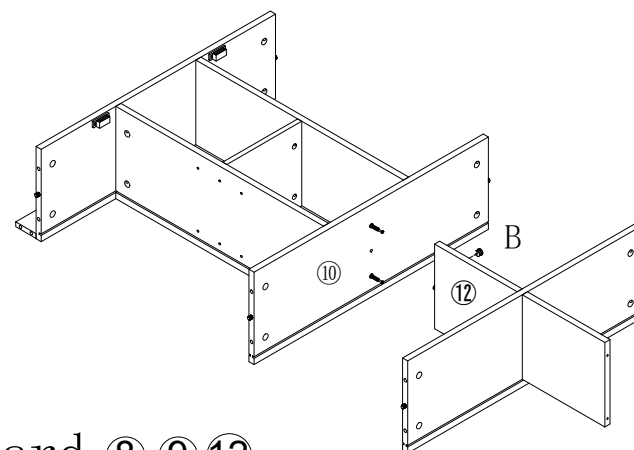




B*4

6



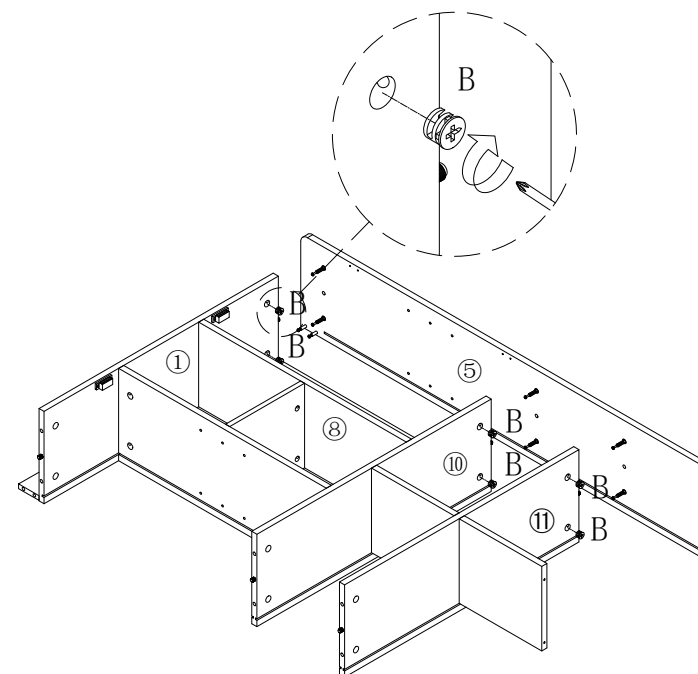
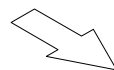
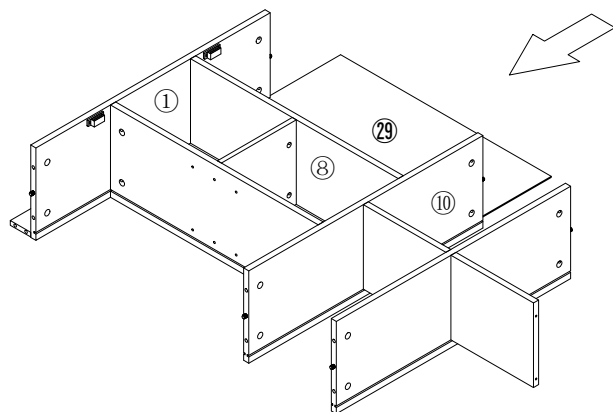
Make sure the arrow on the screw align to the hole on the side.



	B*8
	G*2

put B on board 8 9 12
put G on board 11

7



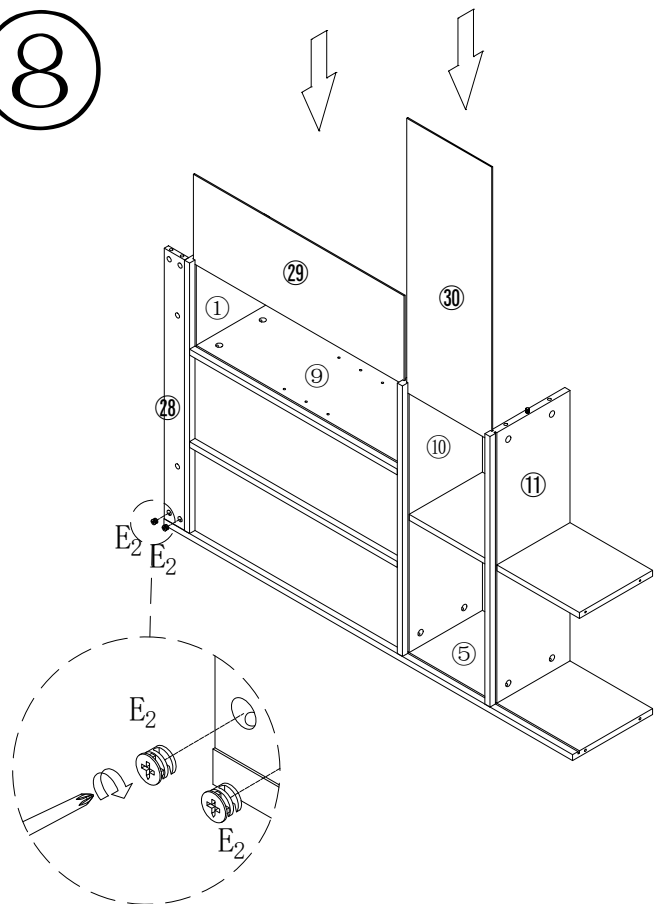
Make sure the arrow on the screw align to the hole on the side.

put B on board ① ⑩ ⑪

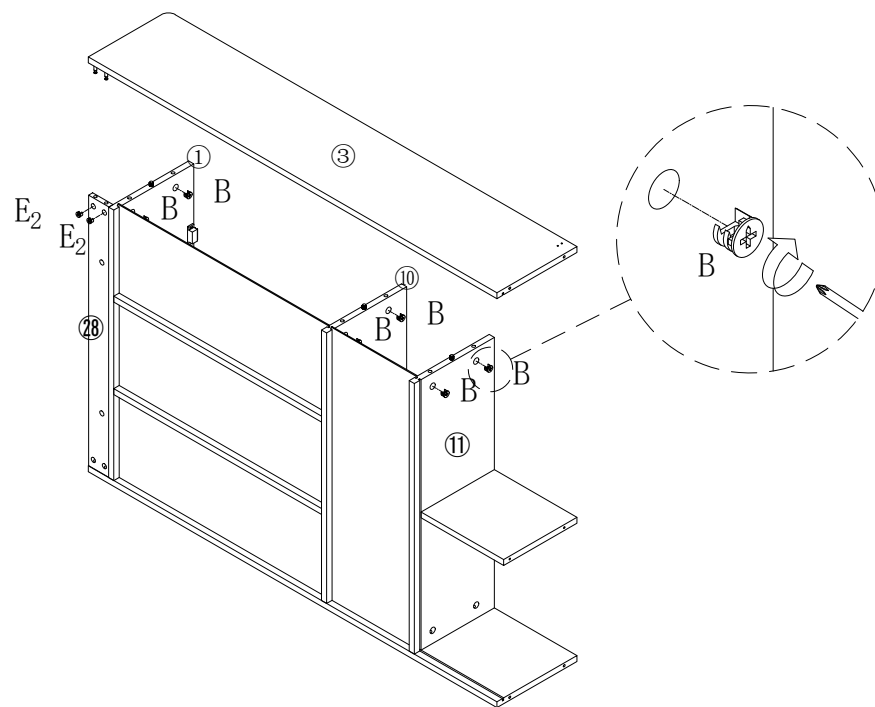


B*6



8



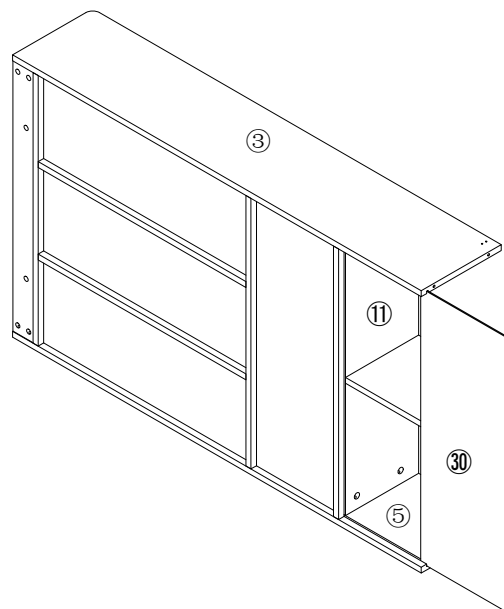
Make sure the arrow on the screw align to the hole on the side.



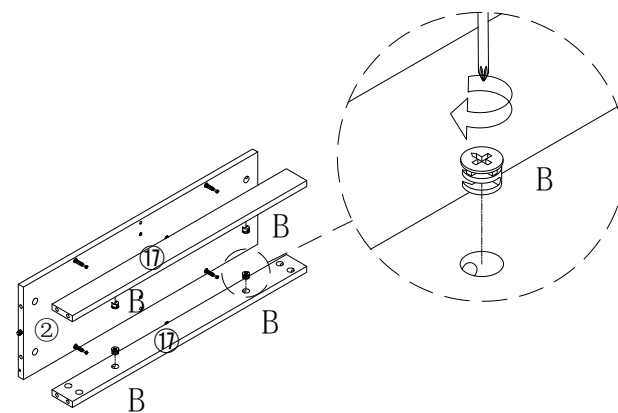
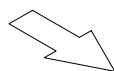
put B on board ① ⑩ ⑪
put E₂ on board ⑳

	B*6
	E ₂ *4

9



Make sure the arrow on the screw align to the hole on the side.

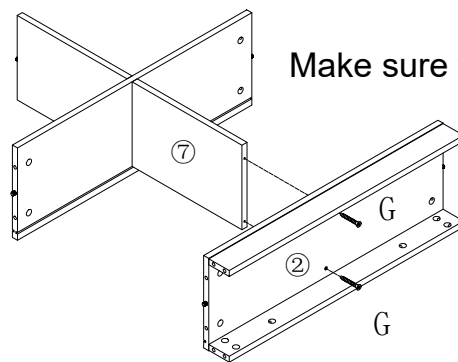
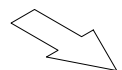
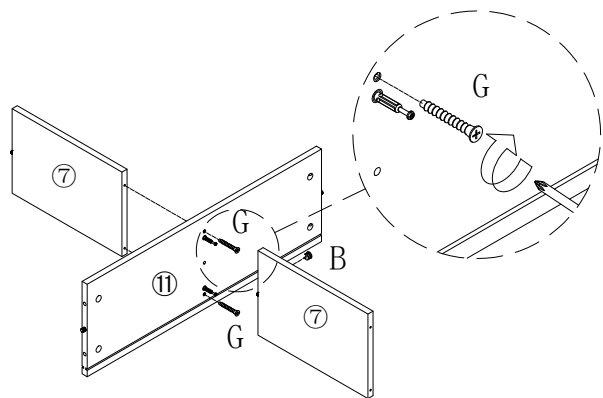


put B on board 17

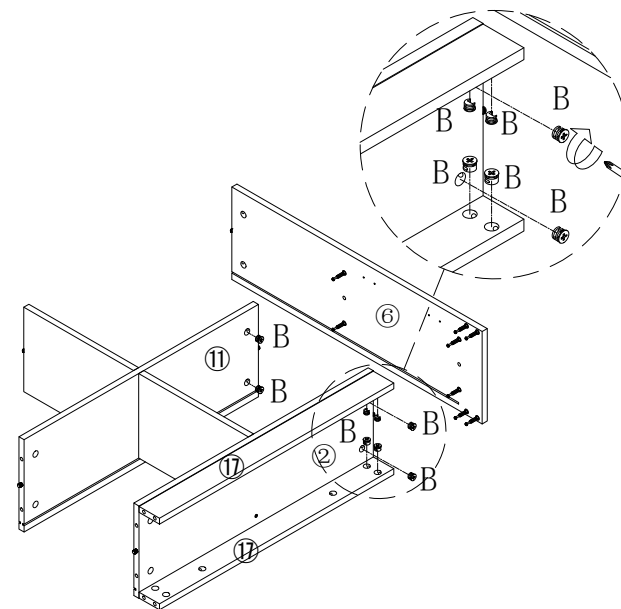
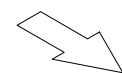


B*4


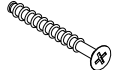
10



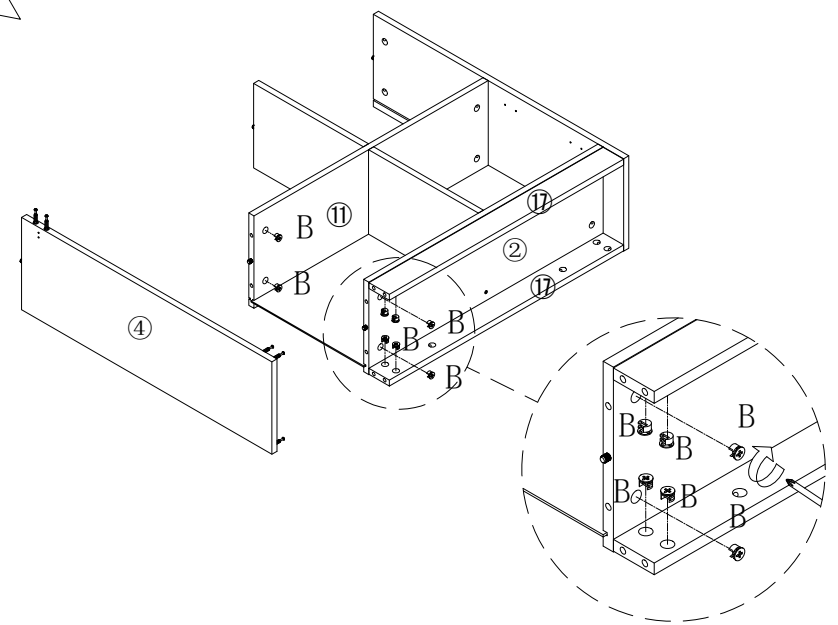
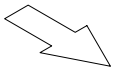
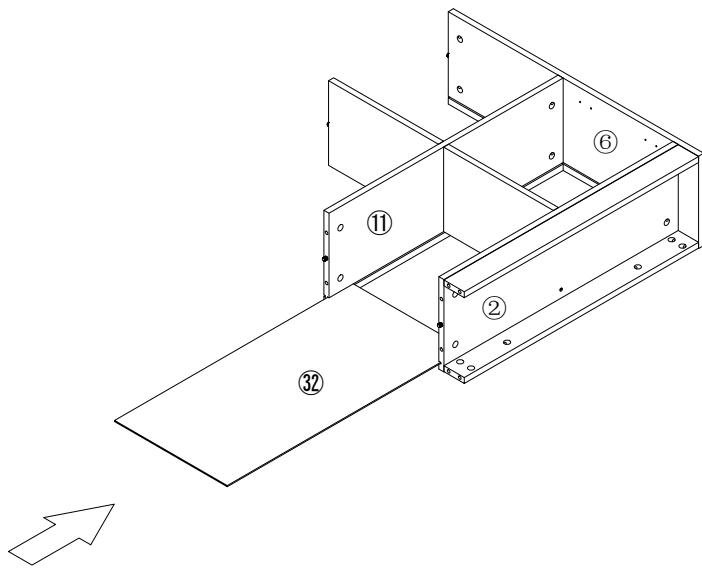
Make sure the arrow on the screw align to the hole on the side.




put B on board ② ⑦ ⑪ ⑰
put G on board ② ⑪

	B*10
	G*4

11

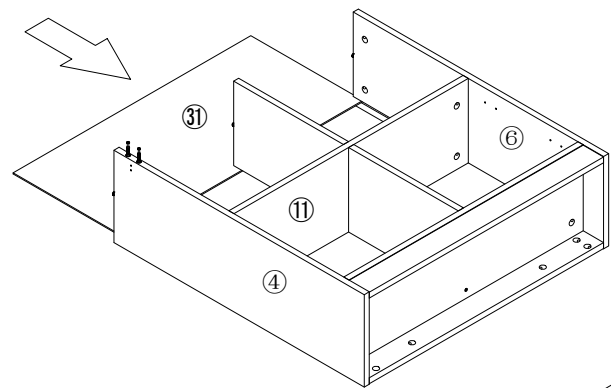


Make sure the arrow on the screw align to the hole on the side.

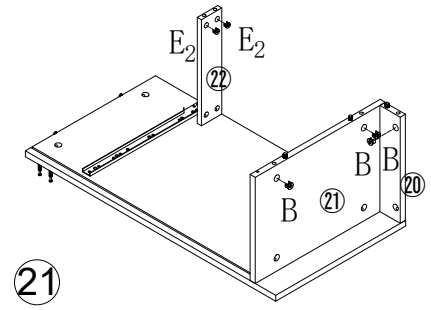
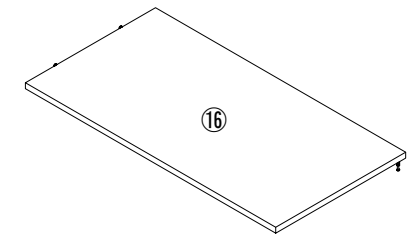
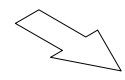
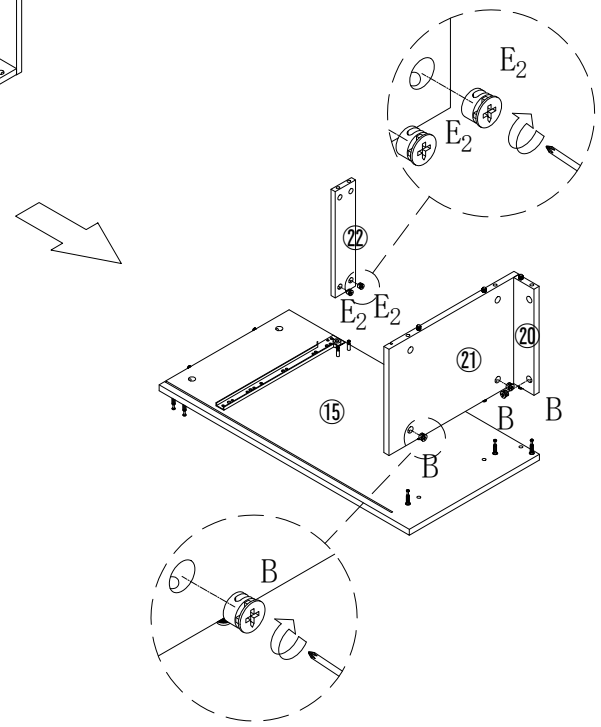
	B*8
---	-----



put B on board 2 11 17

12



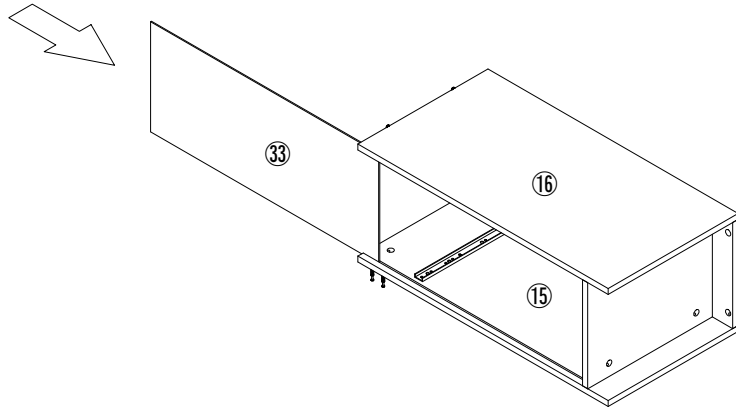
Make sure the arrow on the screw align to the hole on the side.



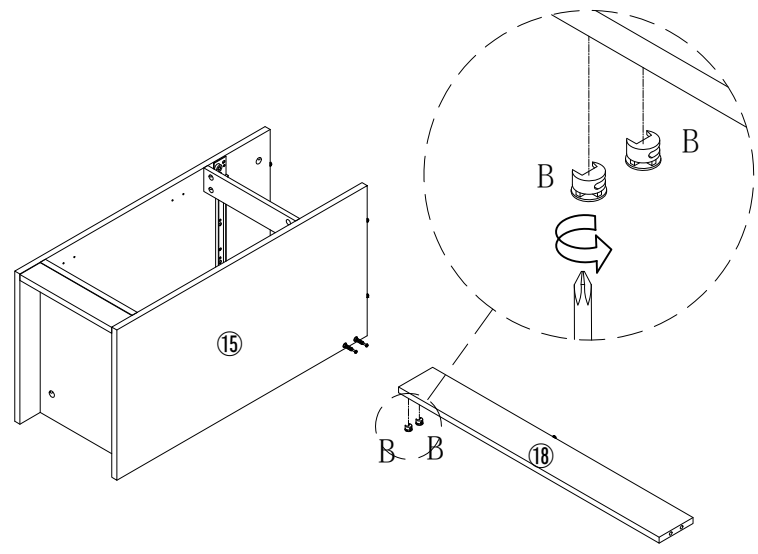
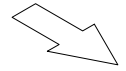
	B*6
	E ₂ *4

put B on board 20 21
 put E₂ on board 22

13



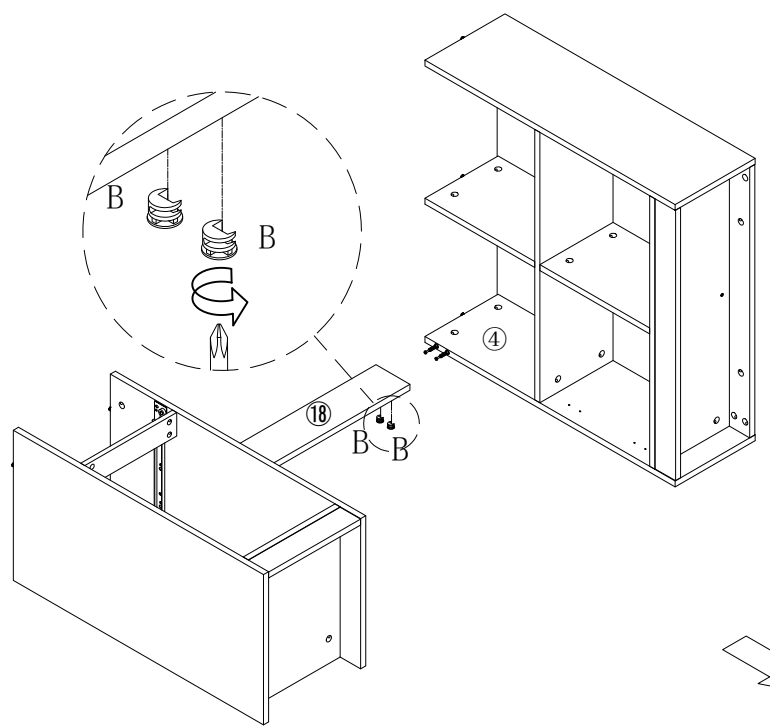
Make sure the arrow on the screw align to the hole on the side.



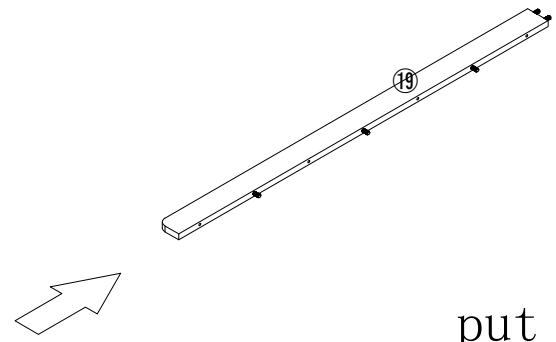
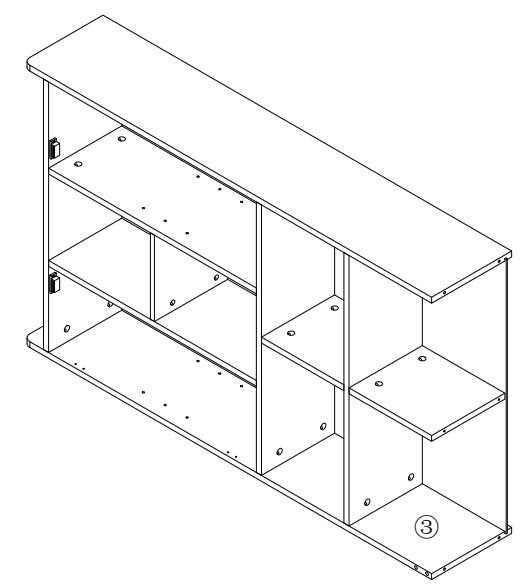
	B*2
---	-----

put B on board 18

14



Make sure the arrow on the screw align to the hole on the side.

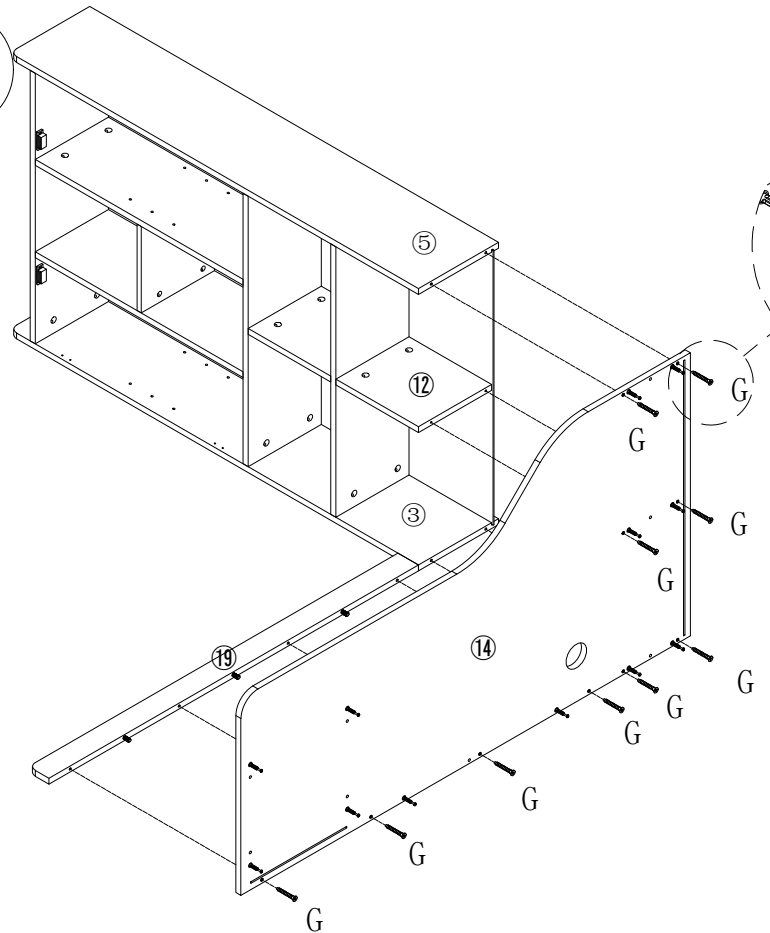


put B on board 18

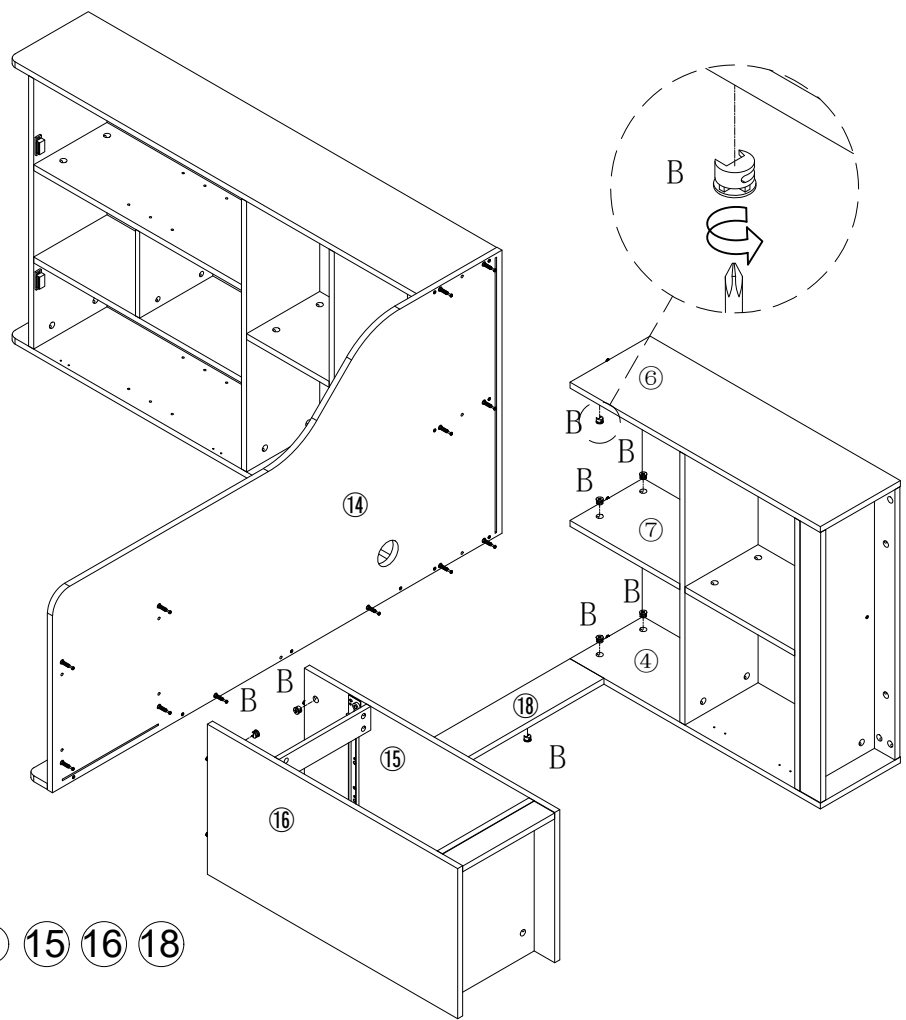



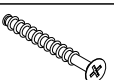
B*2

15



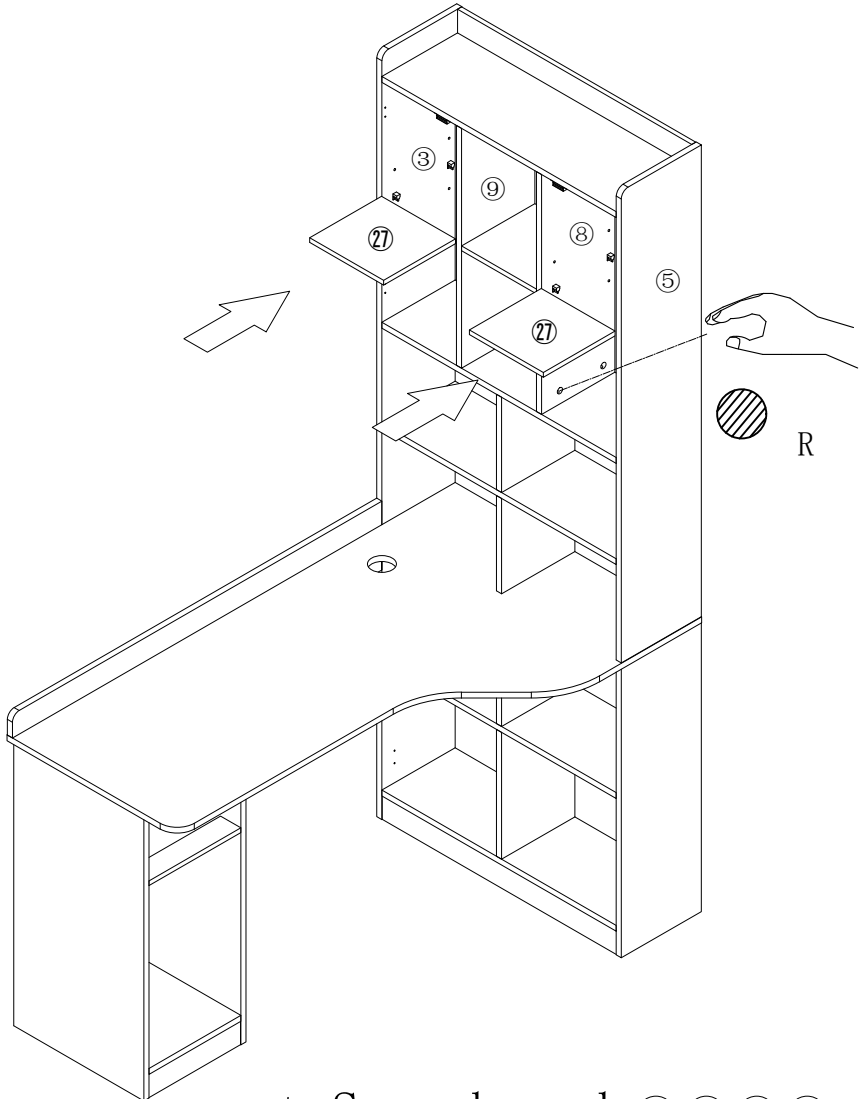
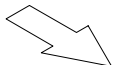
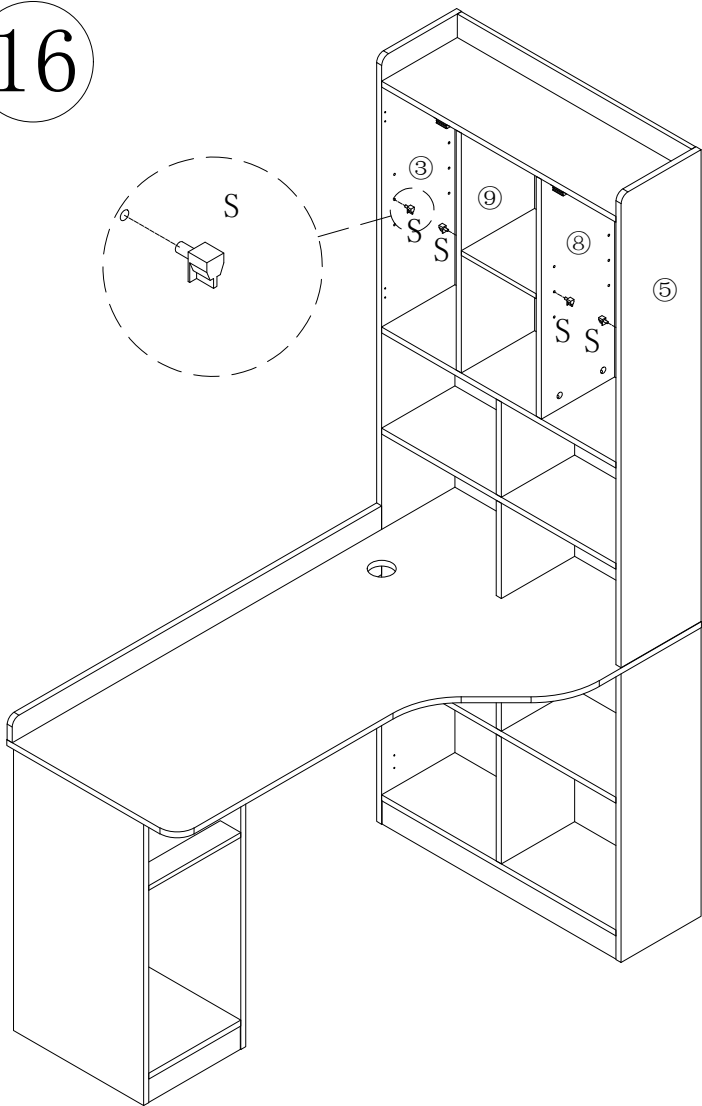
Make sure the arrow on the screw align to the hole on the side.

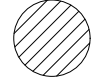



	B*12
	G*10

put B on board ④ ⑥ ⑦ ⑮ ⑯ ⑱
 put G on board ⑭

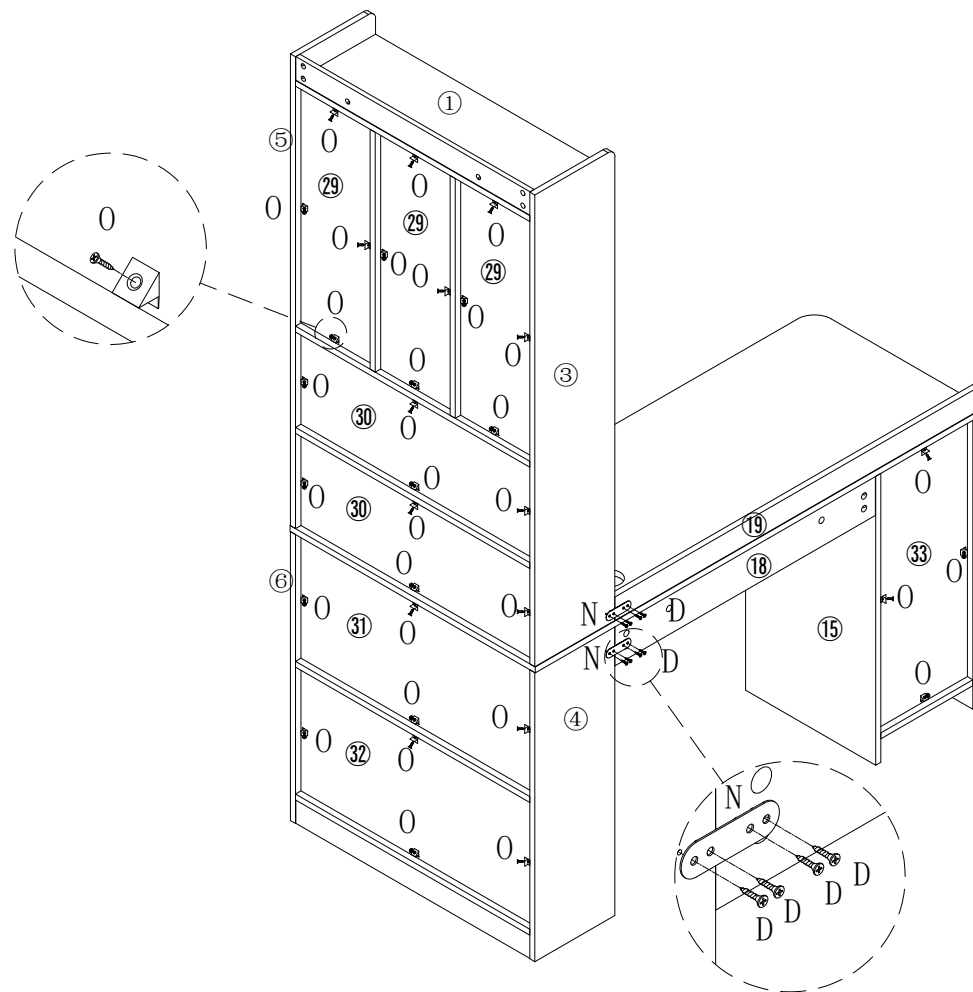
16



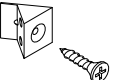


	R*40
	S*8

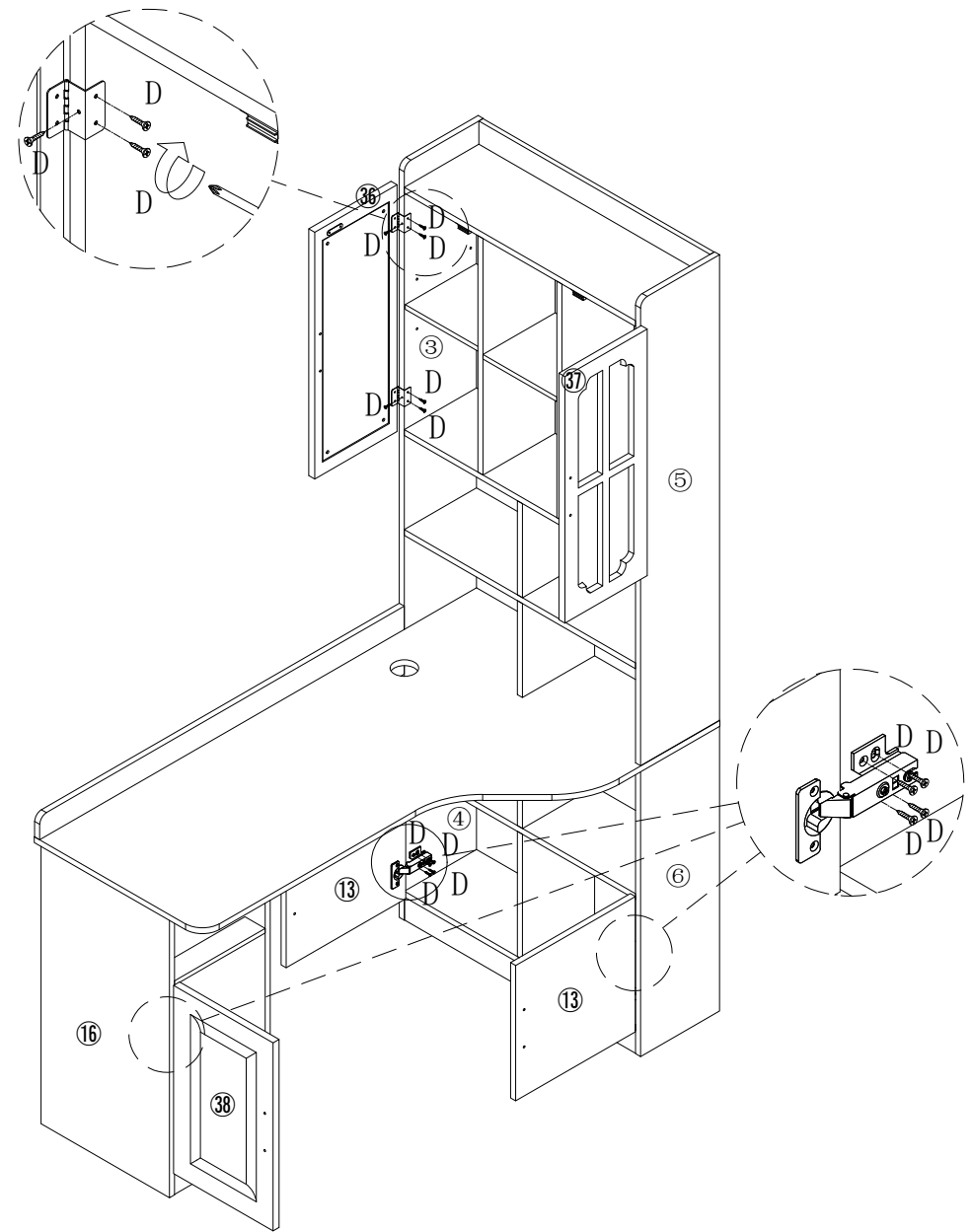
put S on board ③ ⑤ ⑧ ⑨

17



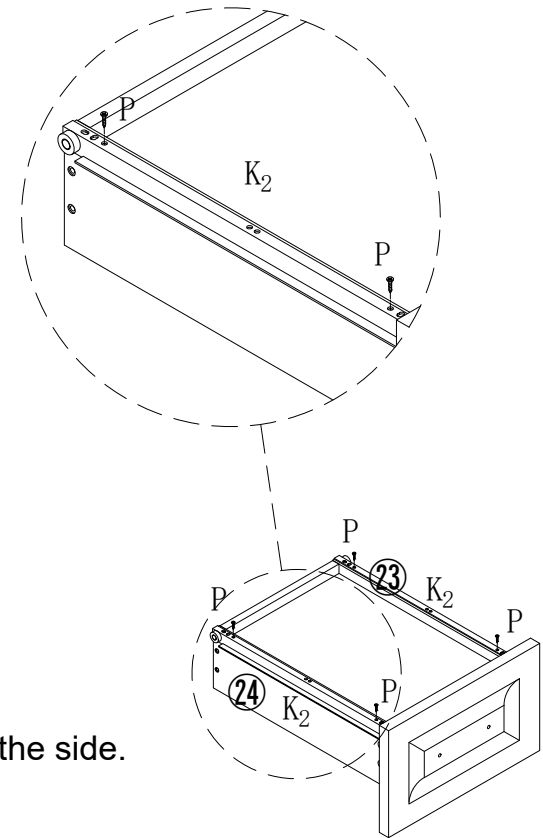
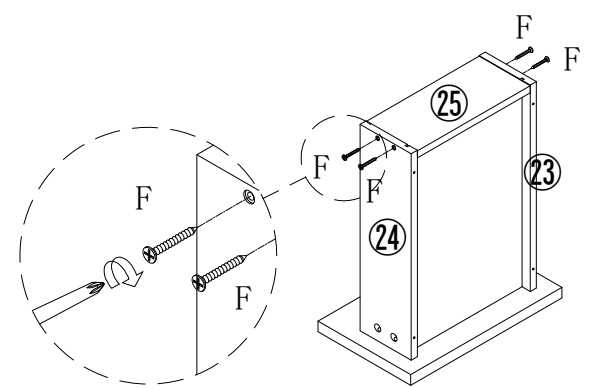
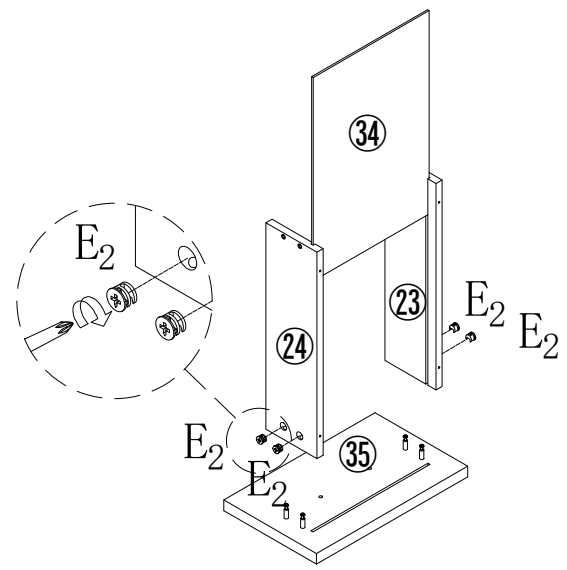
	D*8
	N*2
	O*32


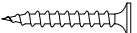
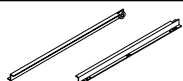

18



D*36

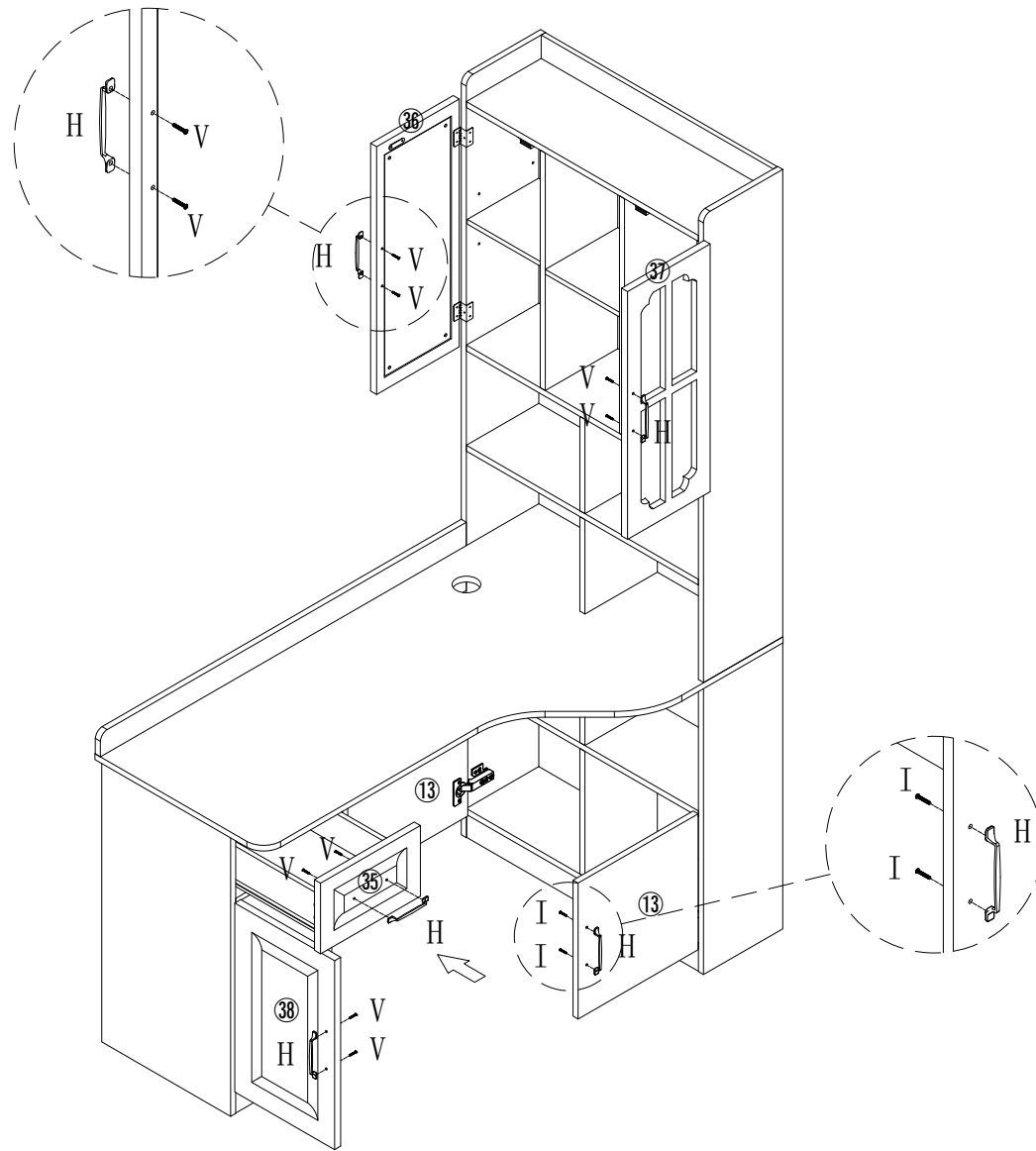
put D on board ③ ④ ⑤ ⑥ ⑬ ⑯






	E ₂ *4
	F*4
	K ₂ *1
	P*4

Make sure the arrow on the screw align to the hole on the side.

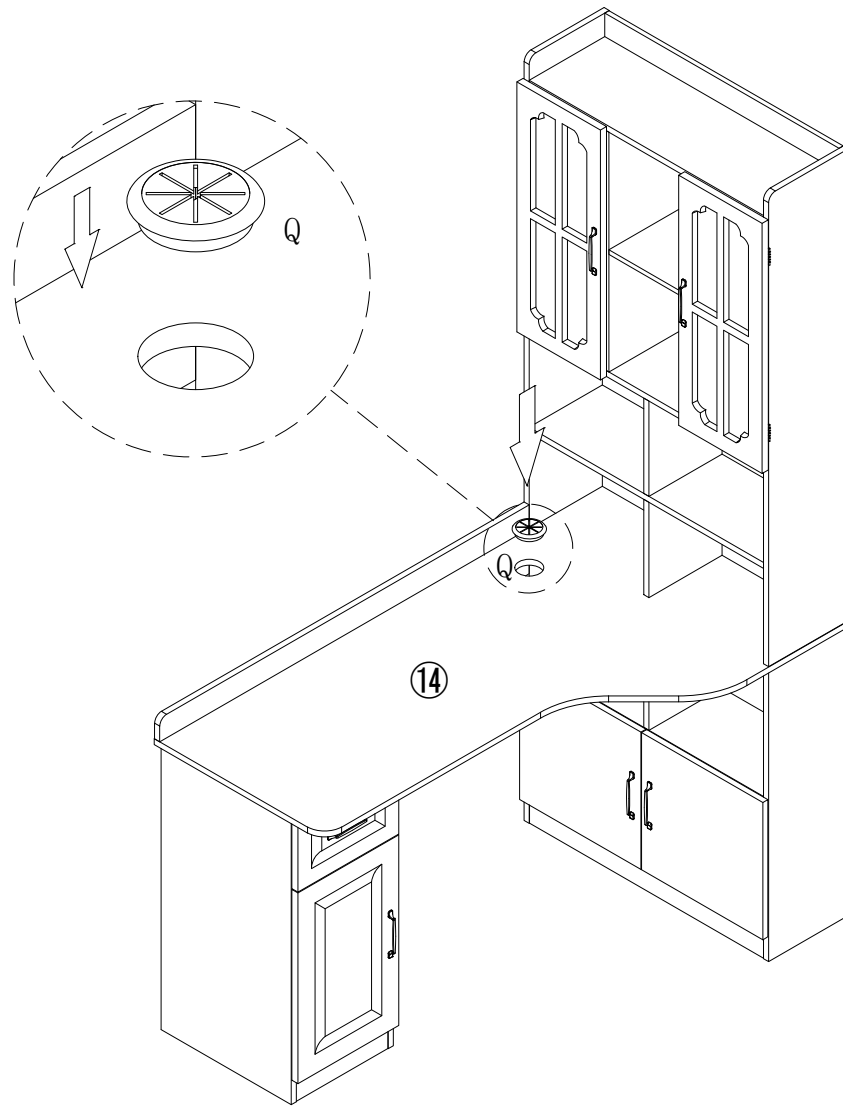
- put E₂ on board 23 24
- put F on board 23 24
- put P K₂ on board 23 24



	H*6
	V*8
	I*4

put H V I on board ⑬ ⑳ ㉑ ㉒ ㉓

21



Q*1

put Q on board 14

