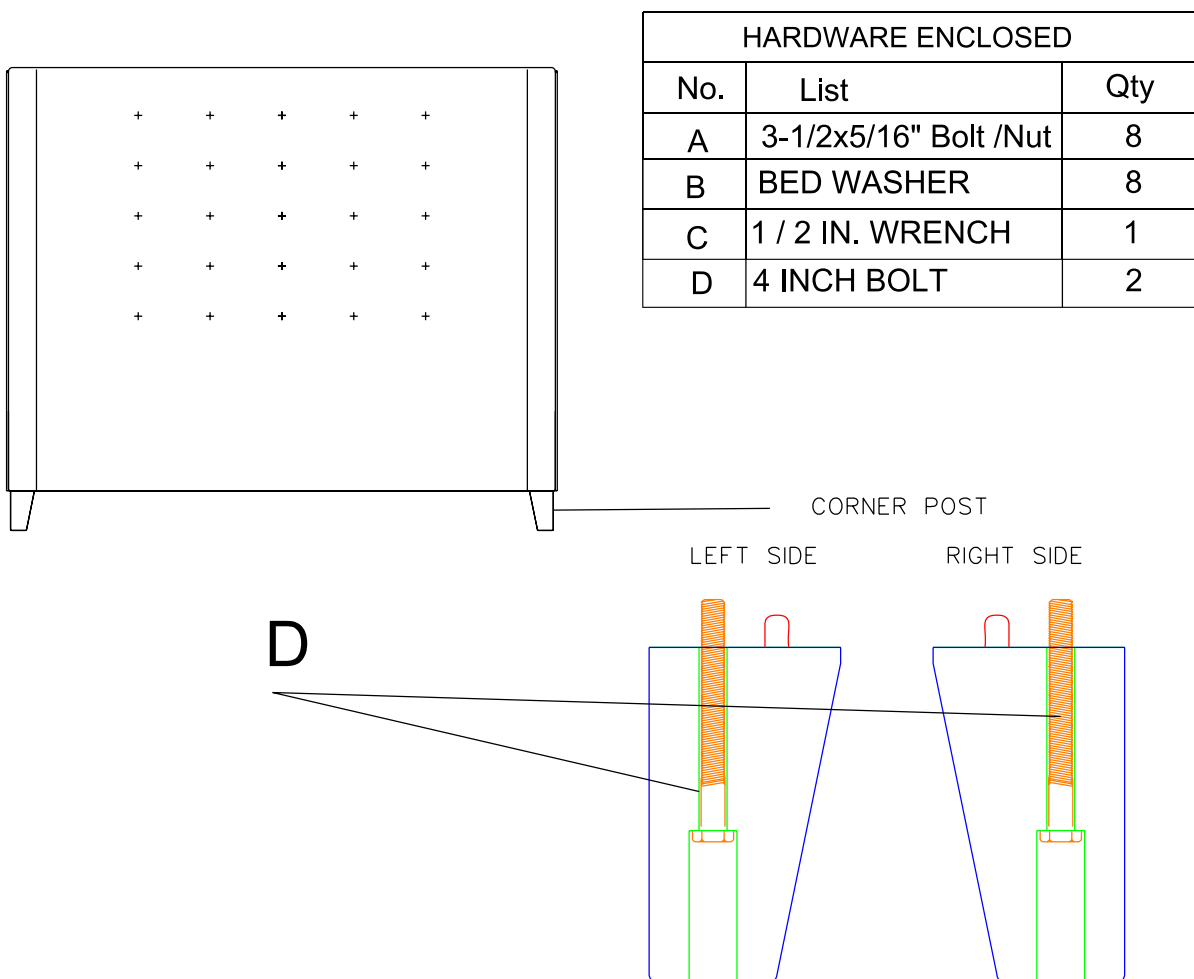


BERNHARDT

ASSEMBLY INSTRUCTIONS FOR 323 UPHOLSTERED BEDS

Thank you for purchasing Bernhardt Furniture. Be sure to check all packing materials carefully to ensure proper assembly of the piece.

Please read all instructions carefully before starting the assembly process. Some parts are large and heavy and require **AT LEAST TWO PEOPLE** to assemble, in order to prevent possible injury and/or damage to the furniture.



Assembly Procedures: TWO PEOPLE REQUIRED

Step 1: Lay Headboard down on a clean flat surface.

Step 2: Identify Left (LSF) and Right (RSF) post.

Step 3: Position post on bottom of headboard with dowel pin

Step 4: Insert bolt through post and tighten with screwdriver.

Step 5: TWO PEOPLE move the headboard into final location.

BERNHARDT

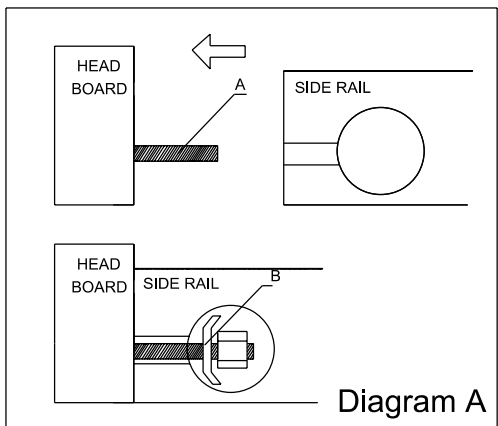
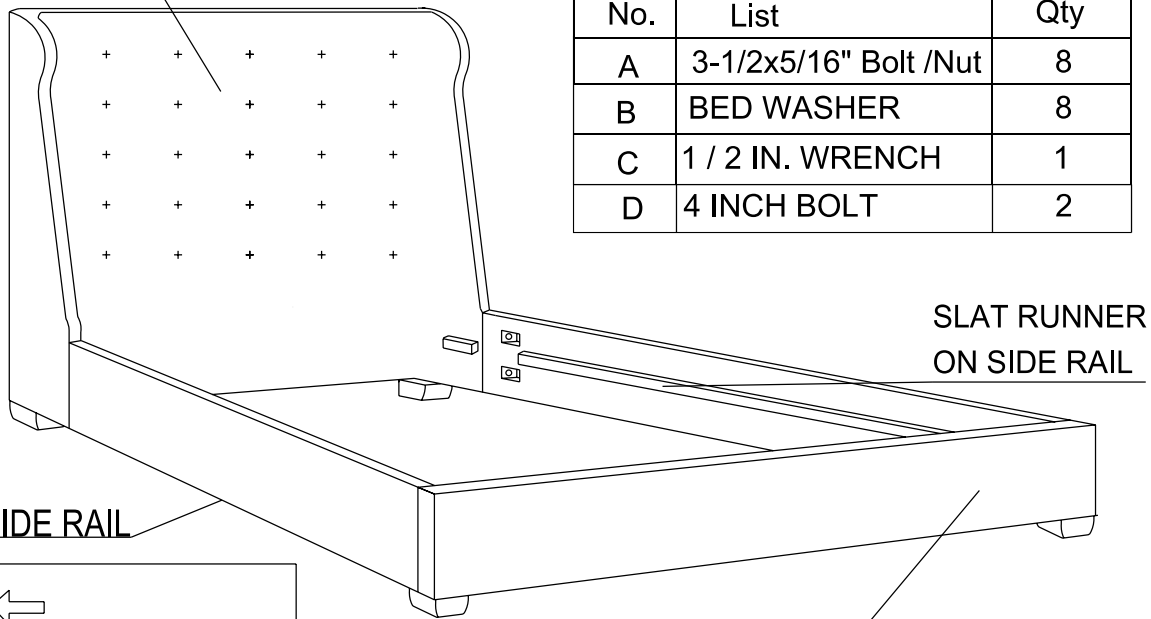
ASSEMBLY INSTRUCTIONS FOR 323 UPHOLSTERED BEDS

Thank you for purchasing Bernhardt Furniture. Be sure to check all packing materials carefully to ensure proper assembly of the piece.

Please read all instructions carefully before starting the assembly process. Some parts are large and heavy and require **AT LEAST TWO PEOPLE** to assemble, in order to prevent possible injury and/or damage to the furniture.

HEADBOARD

HARDWARE ENCLOSED		
No.	List	Qty
A	3-1/2x5/16" Bolt /Nut	8
B	BED WASHER	8
C	1 / 2 IN. WRENCH	1
D	4 INCH BOLT	2



Assembly Procedures:

Step 1: Remove Hole Covers from Headboard.

Step 2: Remove Nut from Bolt (A) then screw Bolt into Headboard inserts for Side Rails.

Step 2: Place Side Rail on Bolts as in Diagram A.

Step 3: Slide Bed Washer on Bolt and Tighten Nut with Wrench (C).

Step 4: Repeat Steps 1-4 for Footboard.

Step 5: Assemble and attach Metal Bed Slats to Slat Runner on Side Rail as shown in enclosed Metal Slat instruction sheet.