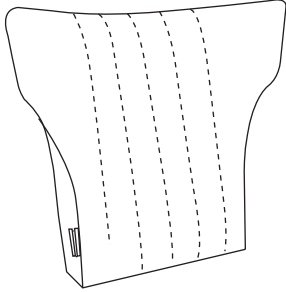
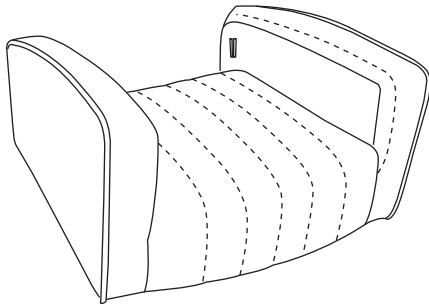


# ASSEMBLY INSTRUCTION

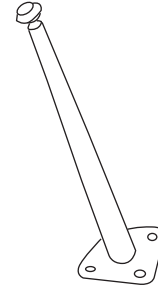
Ax1



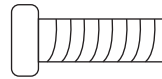
Bx1



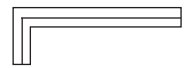
Cx4



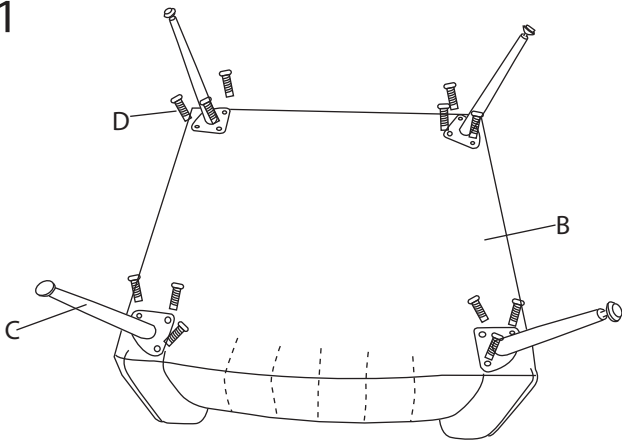
Dx12



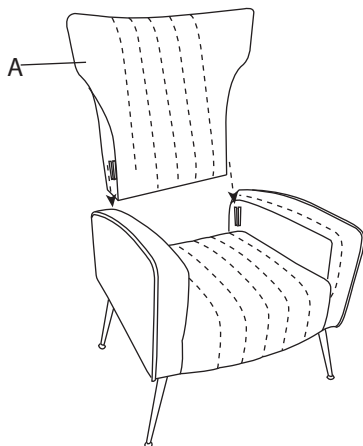
Ex1



1



2



3

