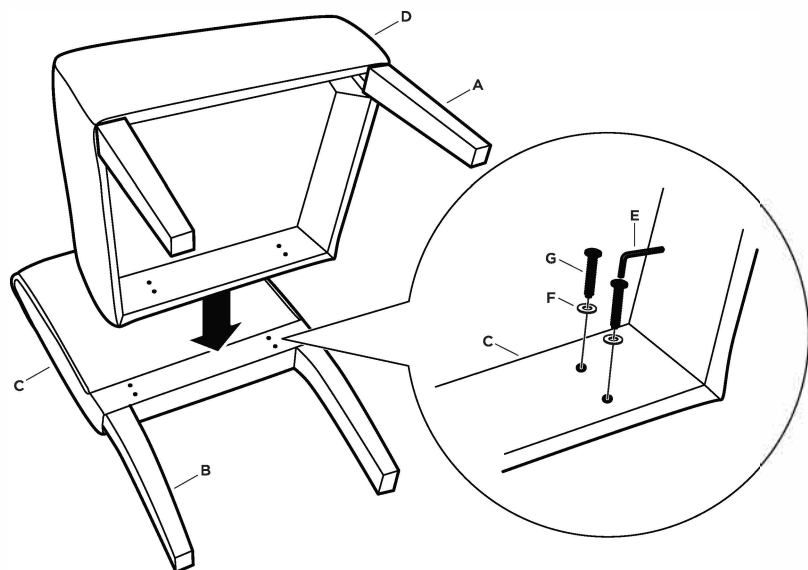


Model: _____

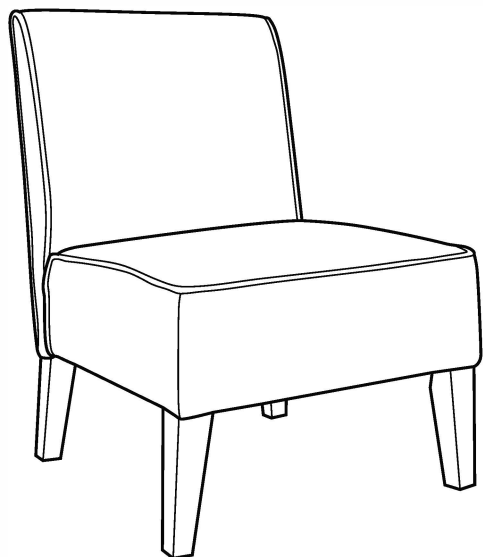
Lot No: _____

Date of Purchase: _____

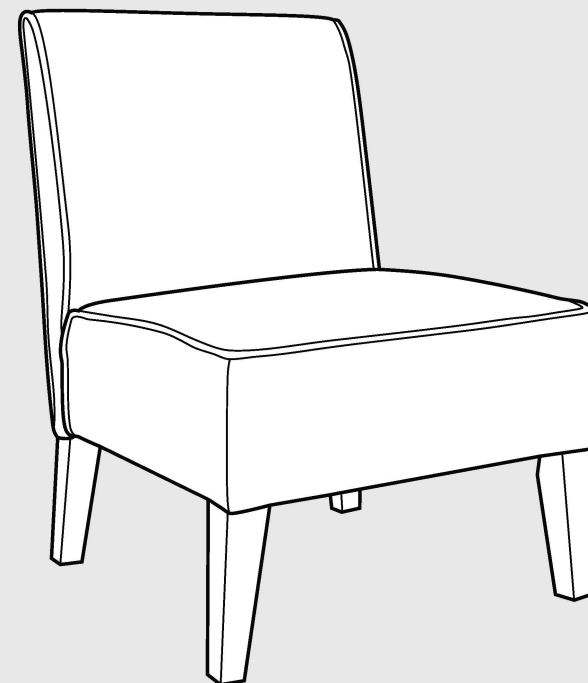
- 3** Attach the assembled Back Rest section to the assembled seat, using 4 Bolts(G) and Washers (F). Tighten using provided Allen Key.



- 4** Enjoy your new Accent chair. You Can re-tighten step 3 periodically if the chair becomes loose.



ACCENT CHAIR



ADULT ASSEMBLY REQUIRED

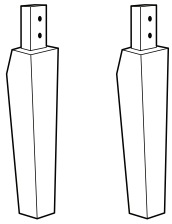
If you are missing any parts or have any questions regarding assembly, do not return this item to the retailers store. Please call our toll-free customer service number and have this assembly manual open to the parts list ready to provide the model name, and part name or number.



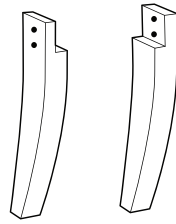
WARNING: This product may contain small components, please ensure they are kept away from small children.

PARTS AND HARDWARE

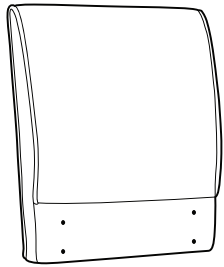
Avoid using sharp objects such as a knife to cut open packing as you may accidentally damage the upholstery.



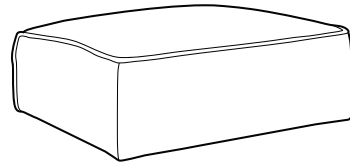
A. Front Legs
2x



B. Rear Legs
2x



C. Back Frame
1x



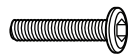
D. Seat
1x



E. Allen Key
1x



F. Washer
12x

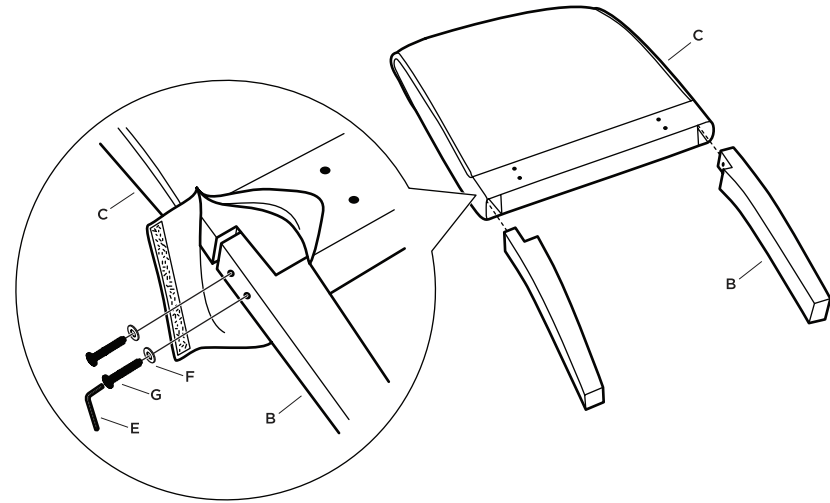


G. Bolt
12x

ASSEMBLY INSTRUCTIONS

Do not fully tighten bolts until assembly is complete.

- 1 Open the Velcro Closure on the Back Rest. Attach the two Rear Legs (B) to the backrest using 2x Bolt (G) with Washer (F). Close Velcro closure after tightening the bolts.



- 2 Open the bottom Velcro dust cover located on the bottom of the seat. Attach the two Front Legs (A) using 2 Bolts (G) and 2 Washers (F) for each leg. NOTE- Make sure metal insert Nuts are facing pre drilled holes in leg support. Tighten using provided Allen Key.

