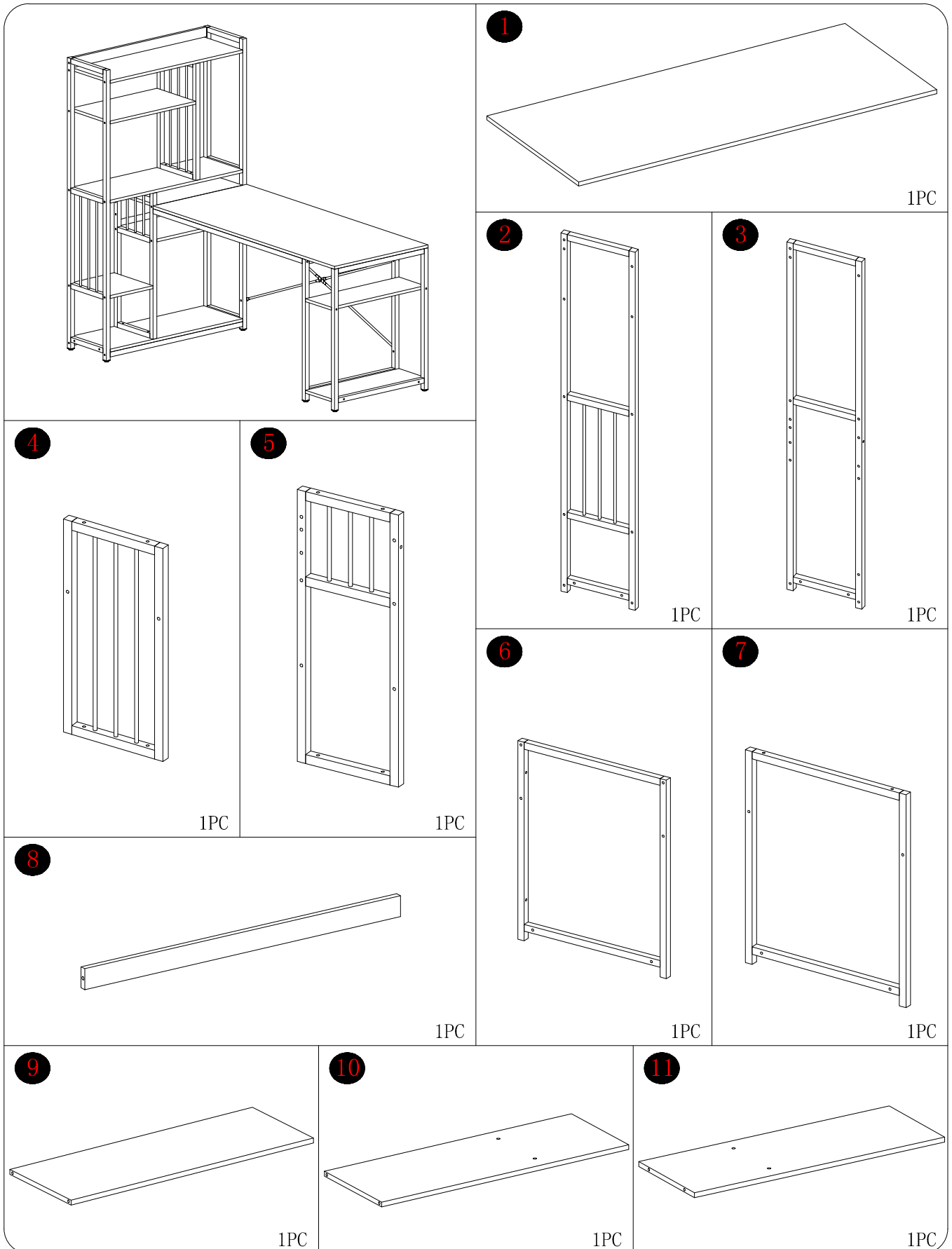


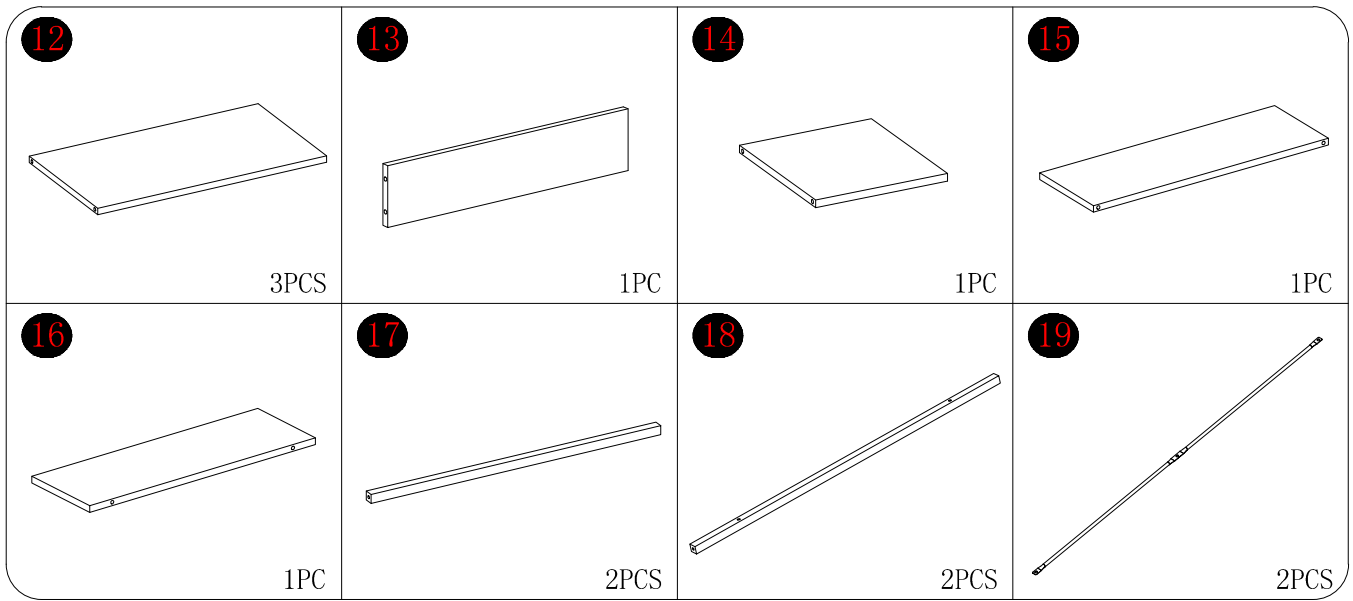
# ASSEMBLY

# INSTRUCTION

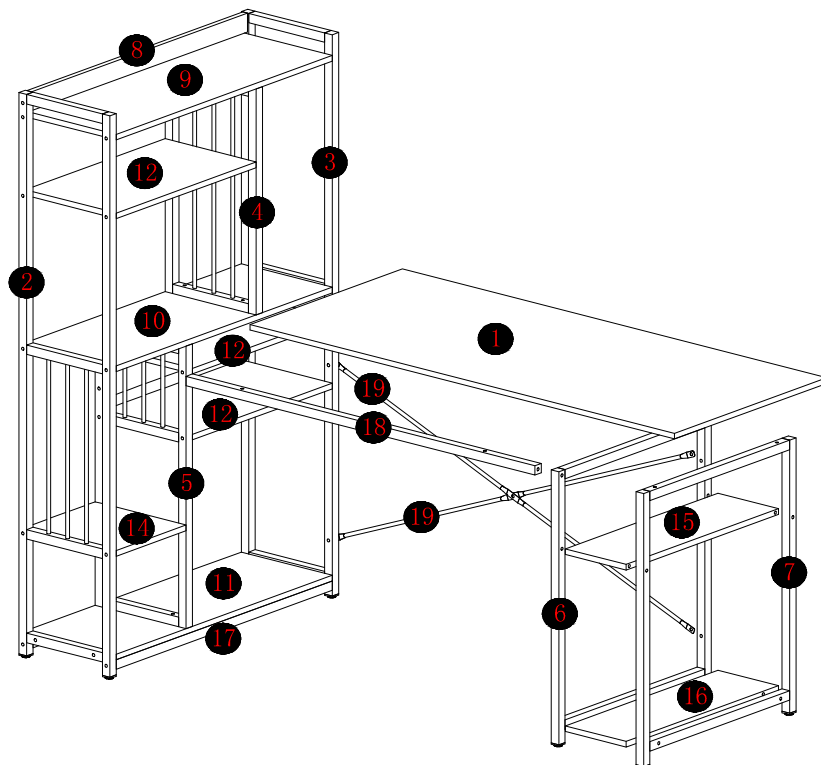


# ASSEMBLY

# INSTRUCTION



No.	PICTURE	SIZE	QTY	No.	PICTURE	SIZE	QTY
<b>A</b>		M6X10	1	<b>E</b>		M6	5
<b>B</b>		M6X35	18	<b>F</b>			8
<b>C</b>		M6X45	8				
<b>D</b>		ST5X50	42				1

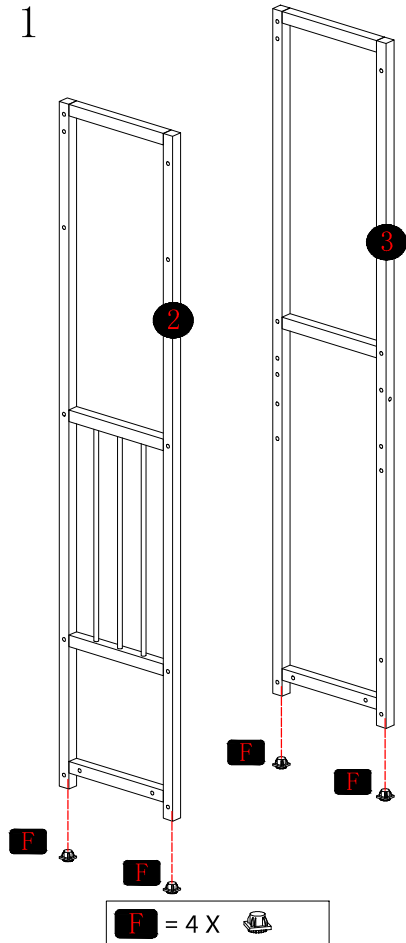


Decomposition Diagram

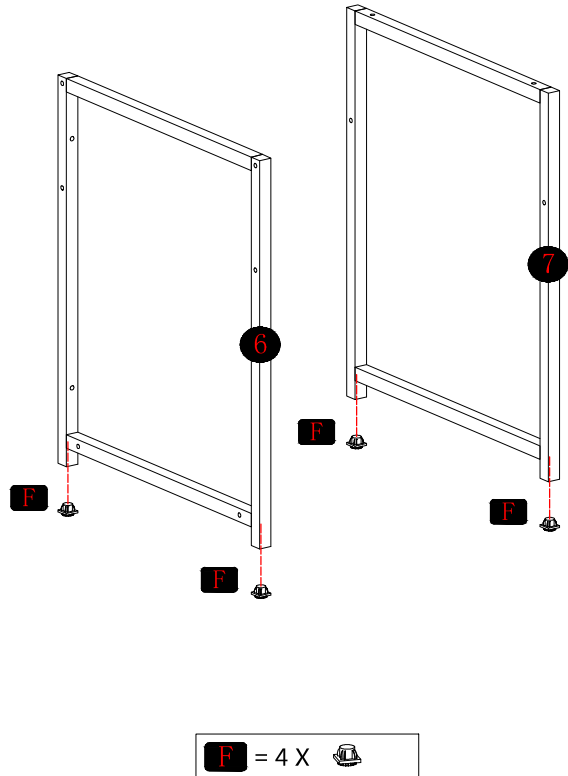
# ASSEMBLY

# INSTRUCTION

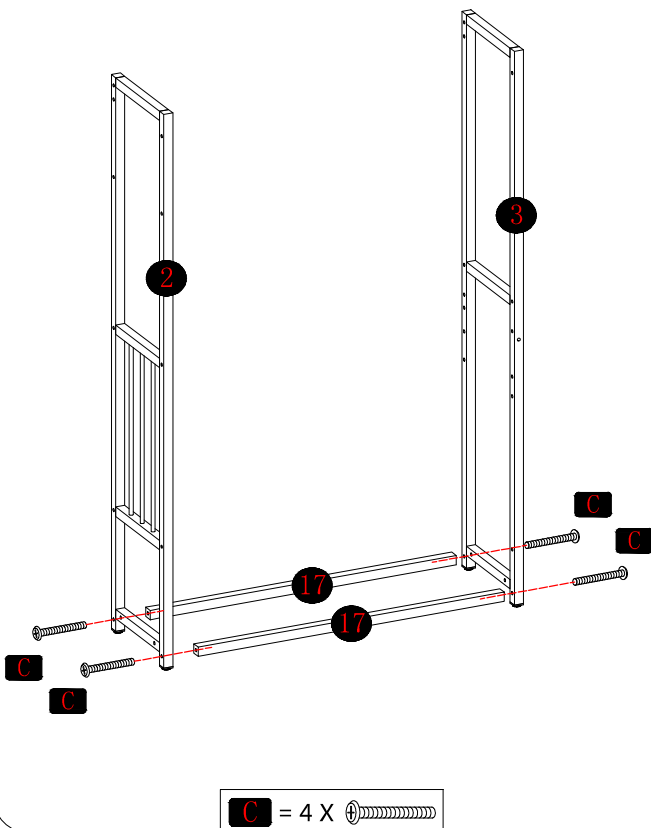
STEP 1



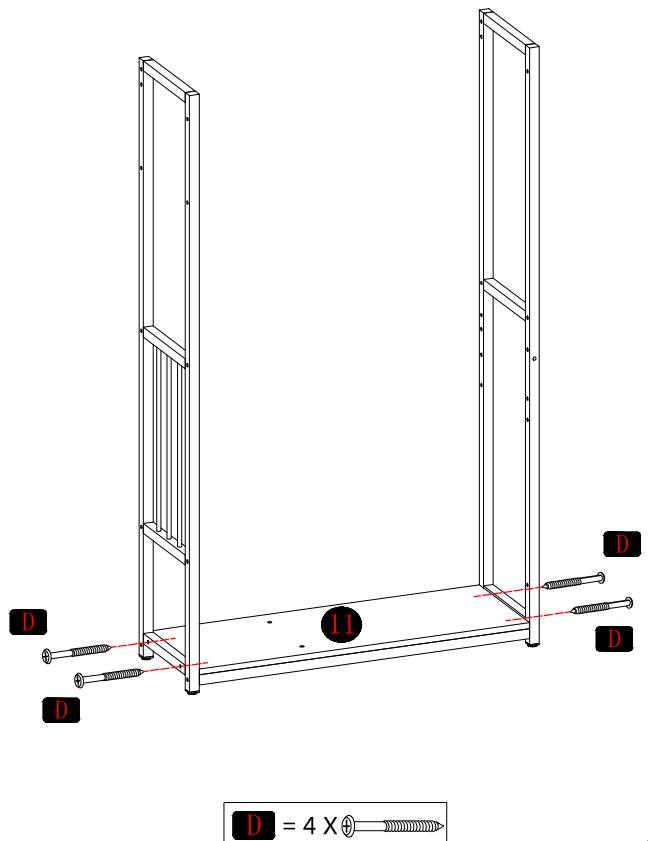
STEP 2



STEP 3



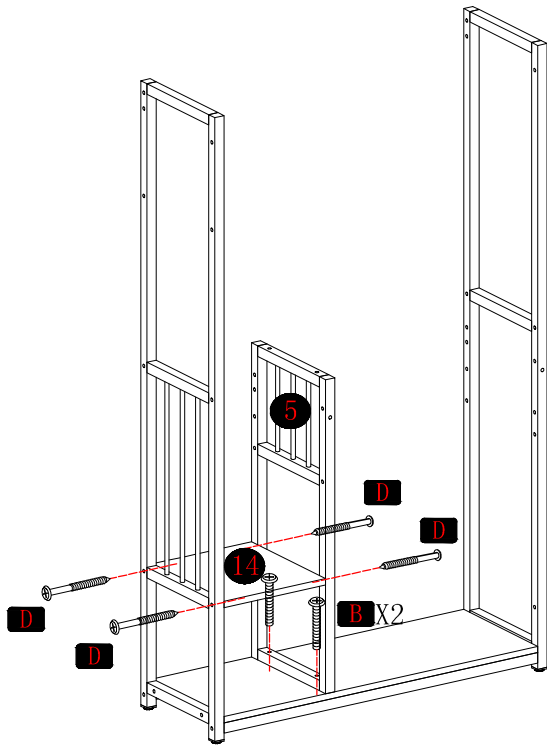
STEP 4


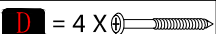


# ASSEMBLY

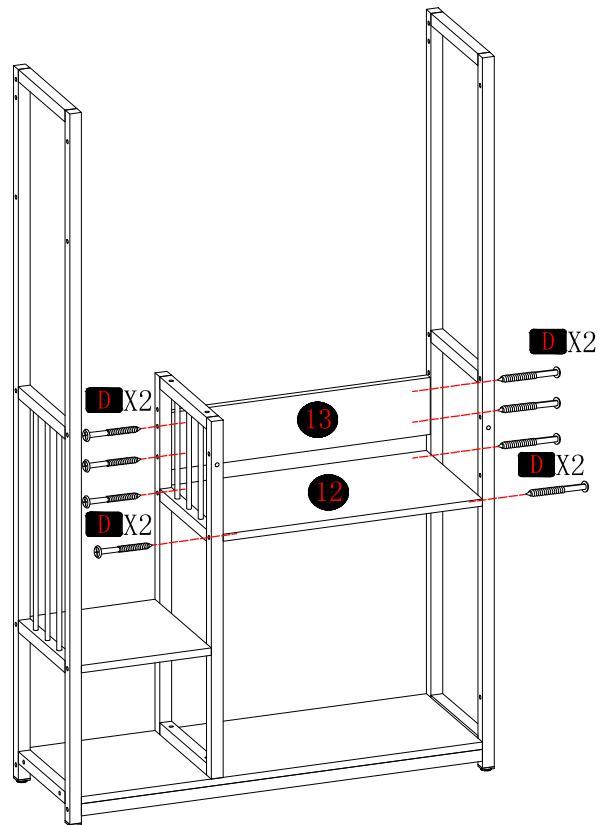
# INSTRUCTION

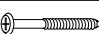
STEP 5



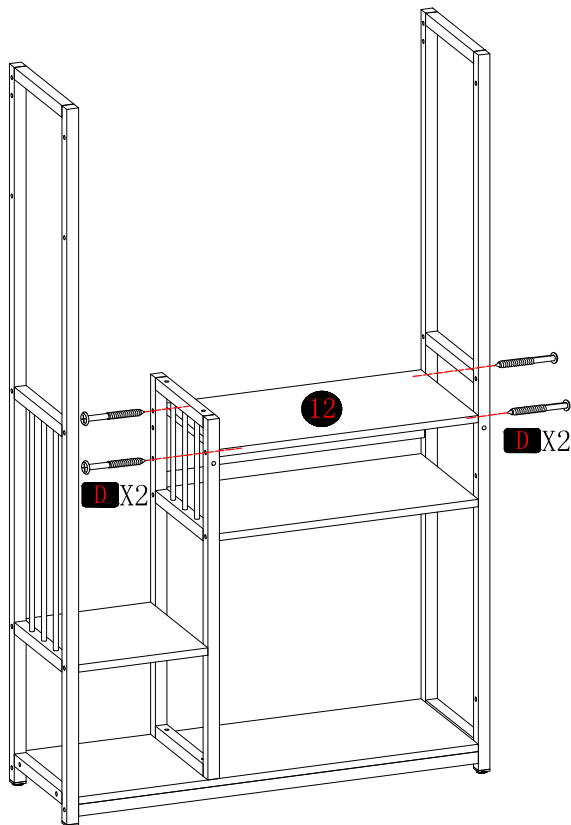
**B** = 2 X  **D** = 4 X 


STEP 6



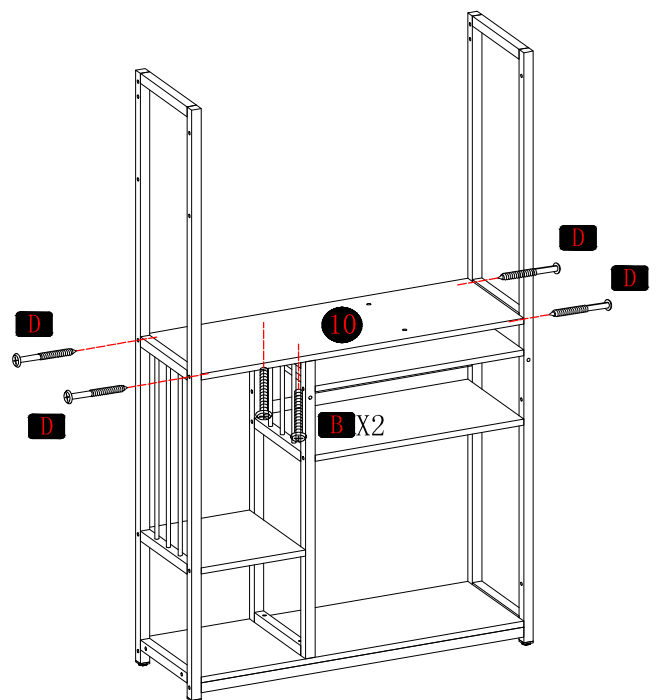
**D** = 8 X 

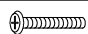
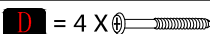
STEP 7



**D** = 4 X 

STEP 8

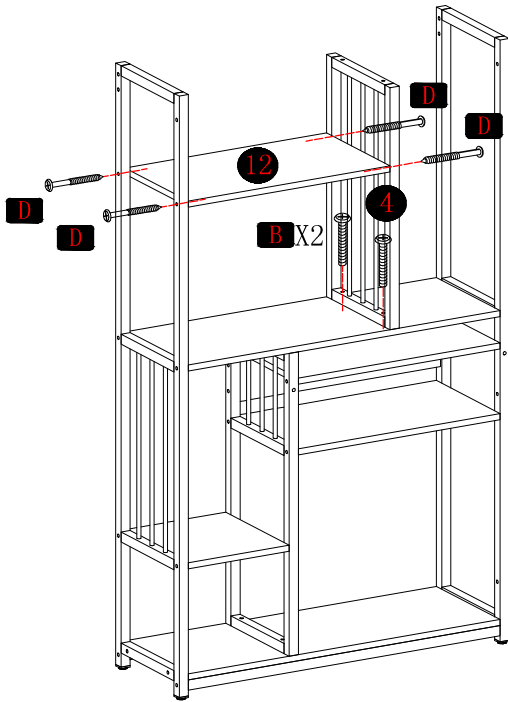


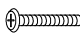
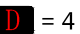
**B** = 2 X  **D** = 4 X 

# ASSEMBLY

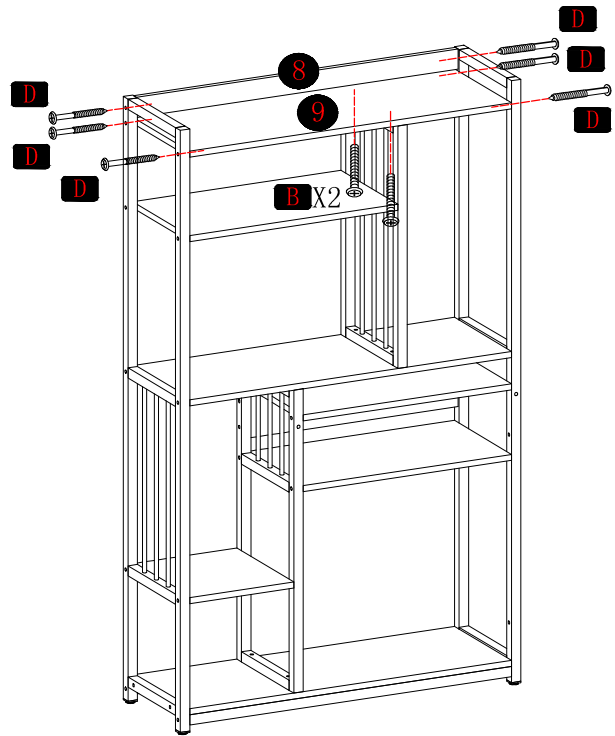
# INSTRUCTION

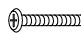
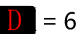
## STEP 9



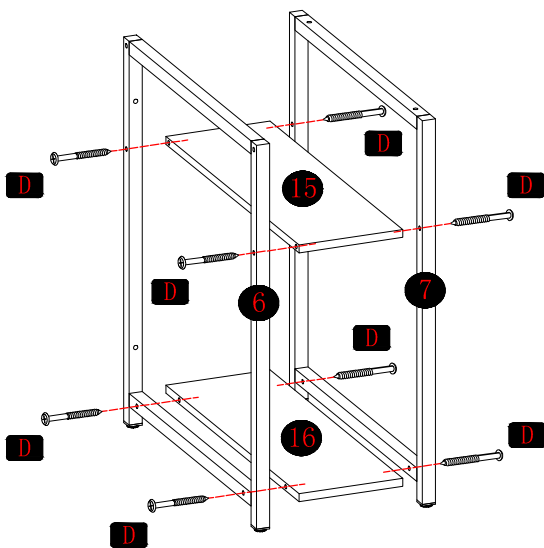
**B** = 2 X  **D** = 4 X 

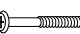
## STEP 10



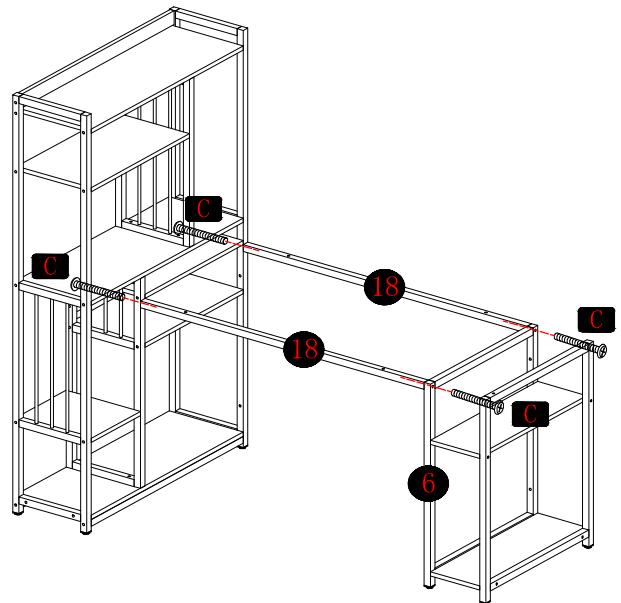
**B** = 2 X  **D** = 6 X 


## STEP 11



**D** = 8 X 

## STEP 12

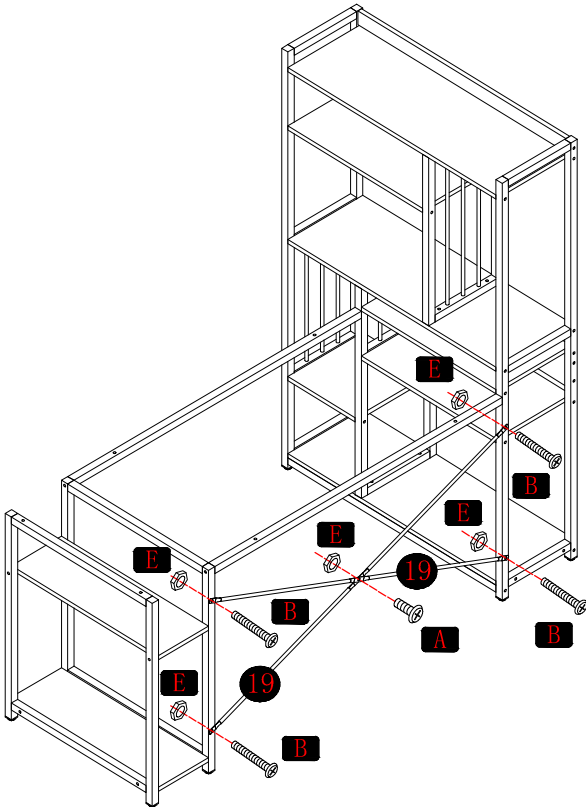



**C** = 4 X 

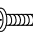
# ASSEMBLY


# INSTRUCTION

## STEP 13

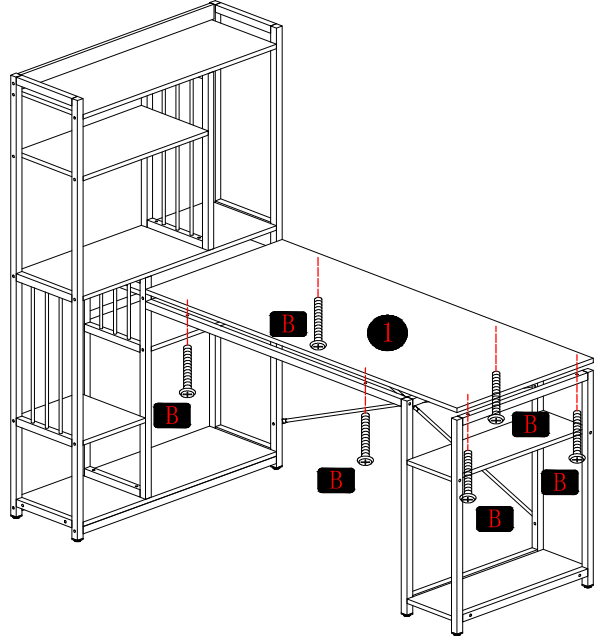



**A** = 1 X 

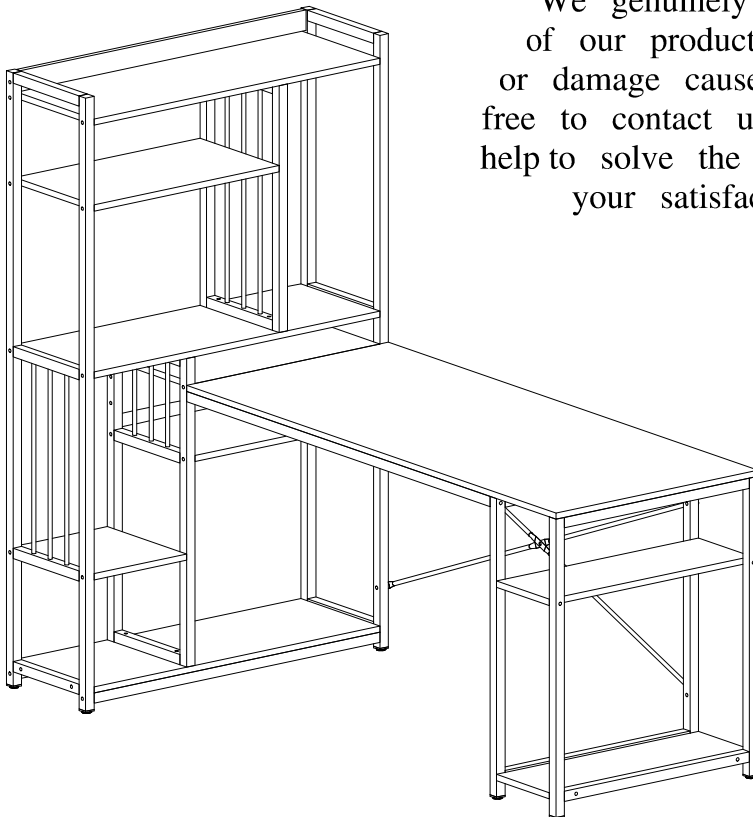
**B** = 4 X 

**E** = 5 X 

## STEP 14



**B** = 6 X 



We genuinely appreciate your purchase of our product. Any problem (installation or damage caused by shipping), please feel free to contact us. Our customer service will help to solve the problem for your ASAP, as your satisfaction is our final goal.