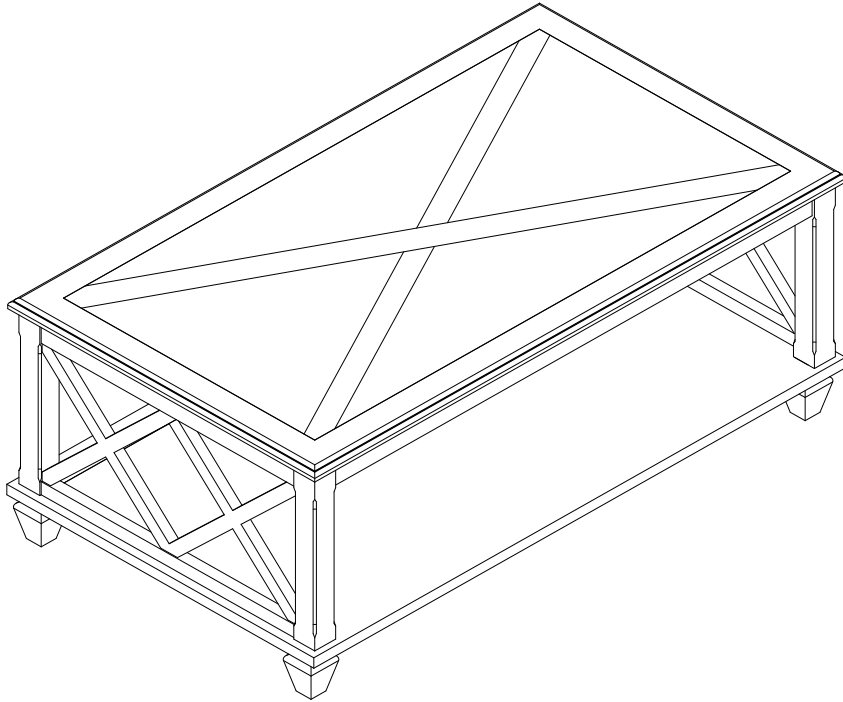


# ASSEMBLY INSTRUCTIONS

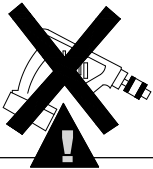
## 26"x45" COFFEE TABLE



### REPLACEMENT PARTS

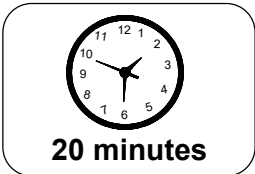
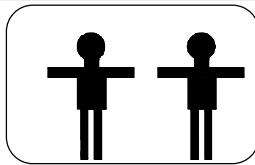
Please do not contact the company purchased from as we can help you faster.

Order replacement parts

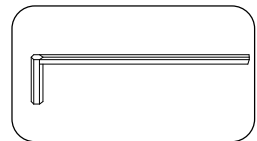


. Use of power tool to assemble this product will invalidate any claim and damage this product making it unsafe!!!

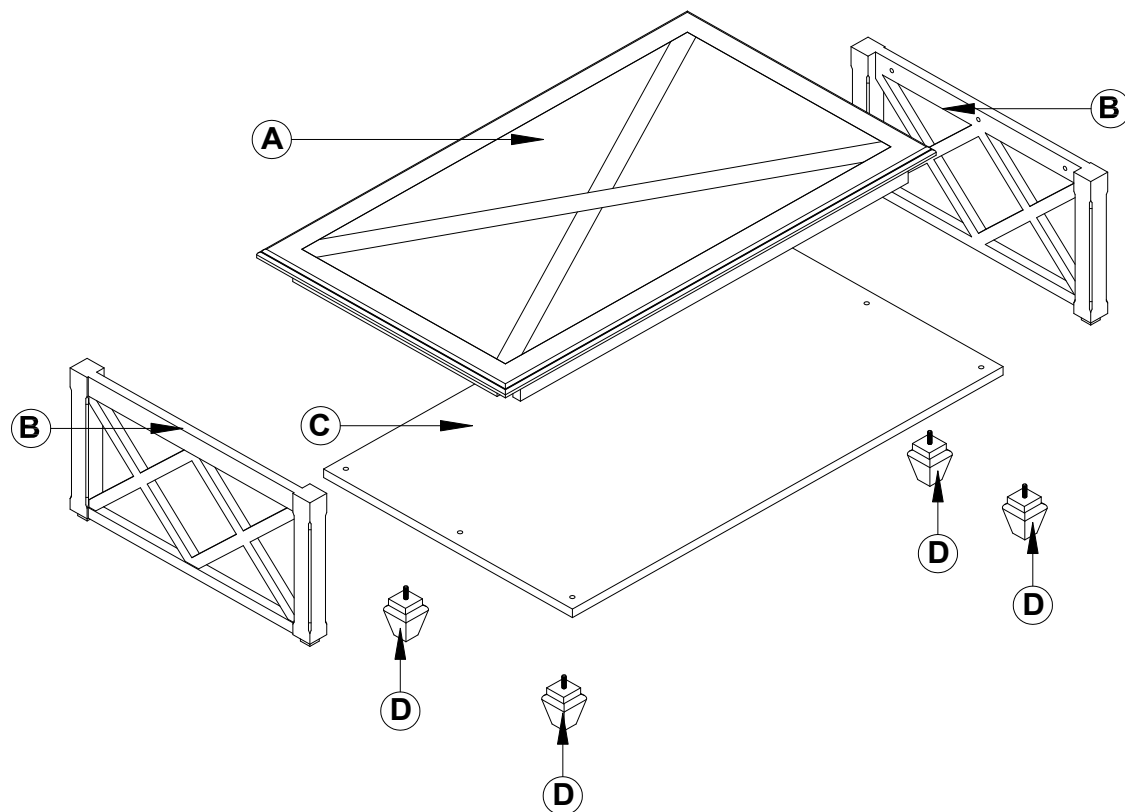
. Please assemble on a clean soft surface to avoid damage.



### Tool Included

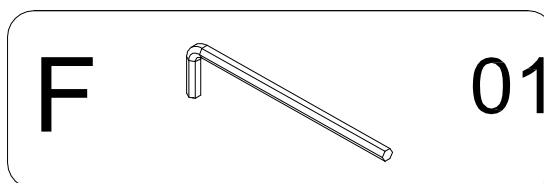
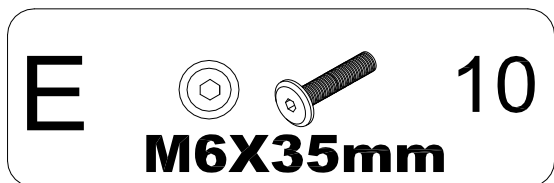


# Part List-26"x45" Coffee Table


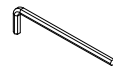


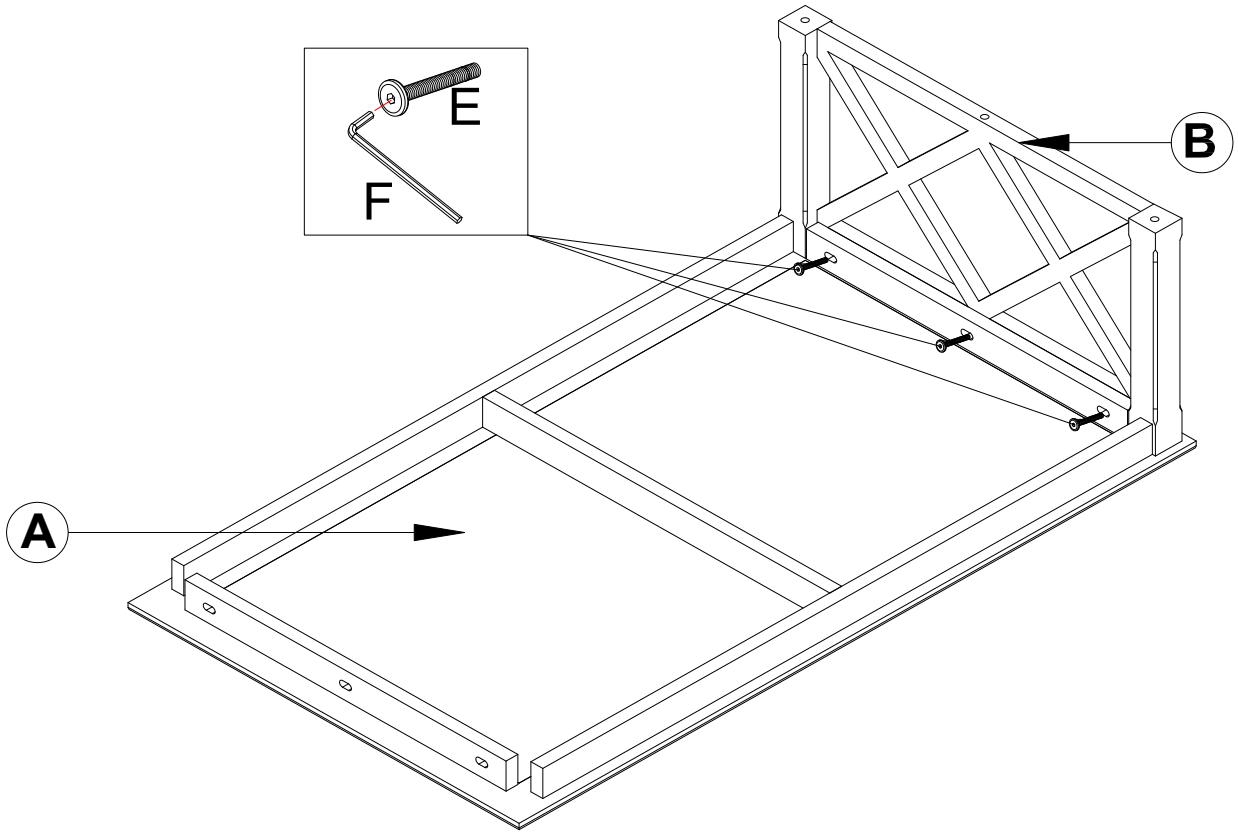
**Identifying the hardware**-Identify the hardware using the illustrations below.

---


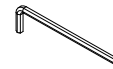


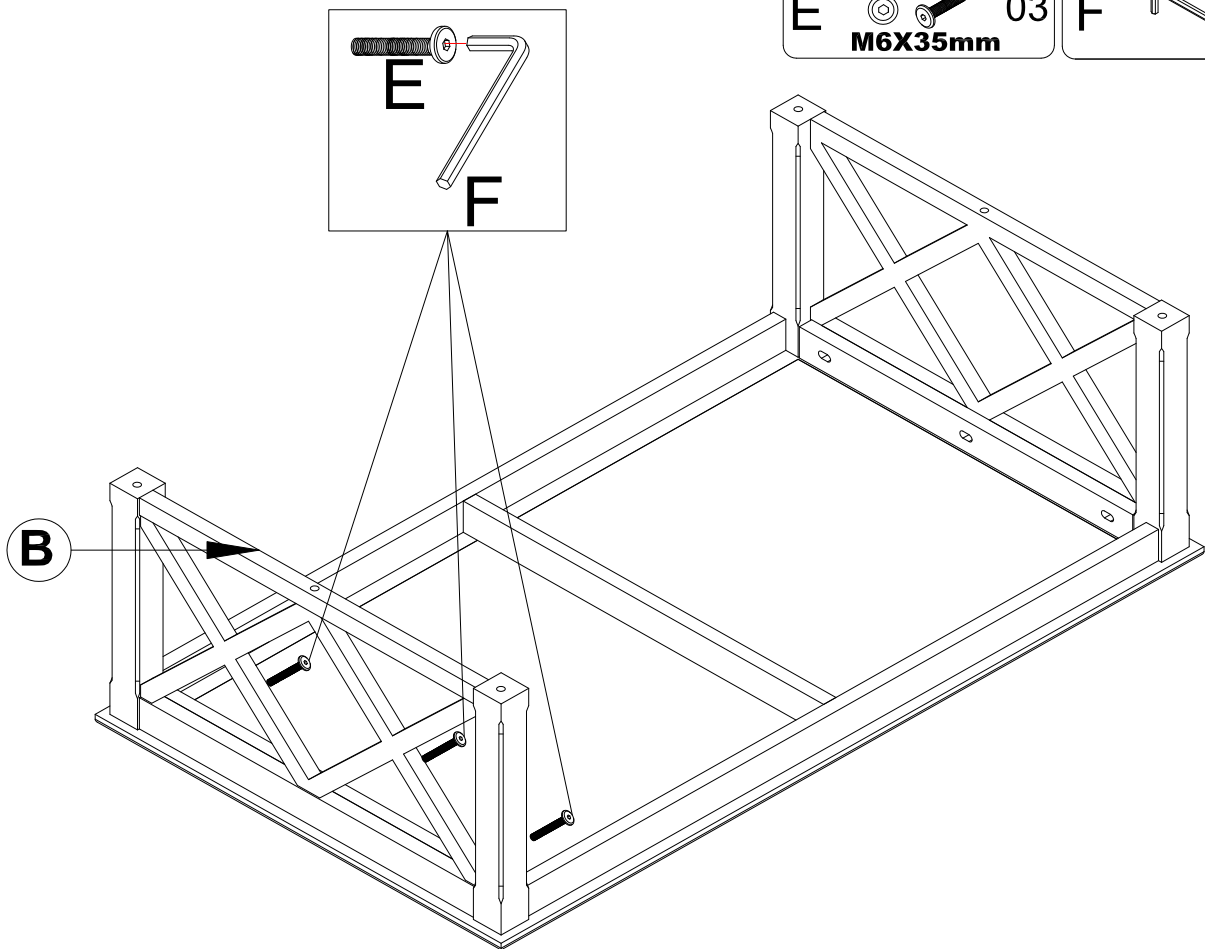
# STEP 1

<b>E</b>  <b>03</b> <b>M6X35mm</b>	<b>F</b>  <b>01</b>
---	---






# STEP 2

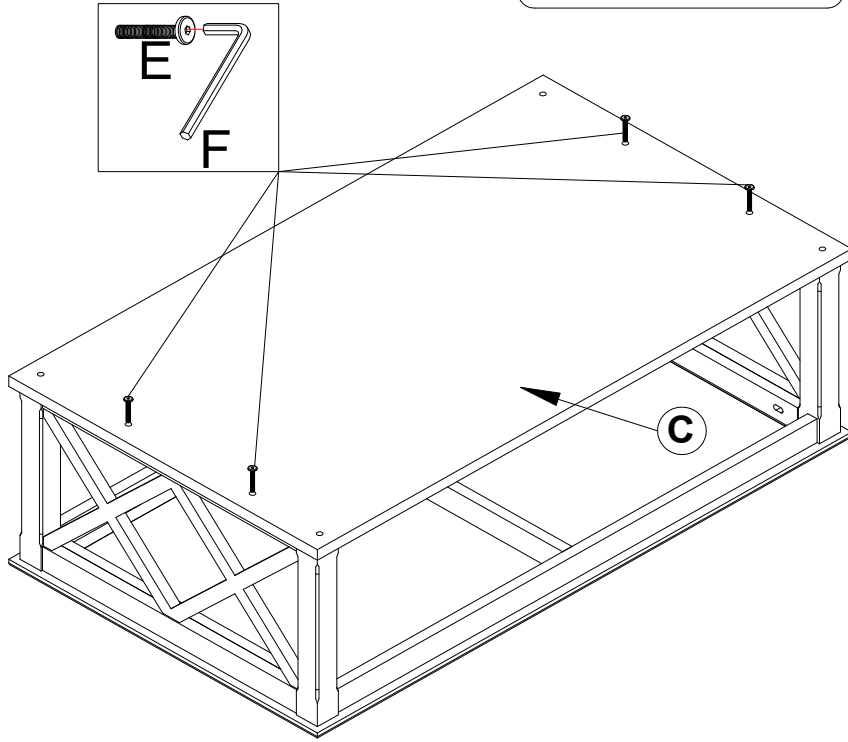
<b>E</b>  <b>03</b> <b>M6X35mm</b>	<b>F</b>  <b>01</b>
--	--



### STEP 3

**E**   **04**  
**M6X35mm**

**F**  **01**



### STEP 4

