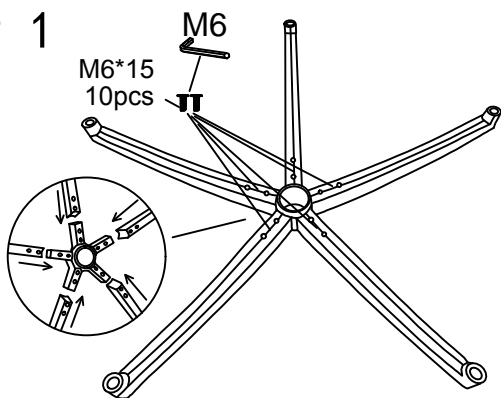
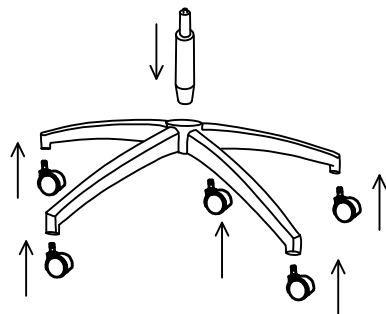


Assembly Instructions

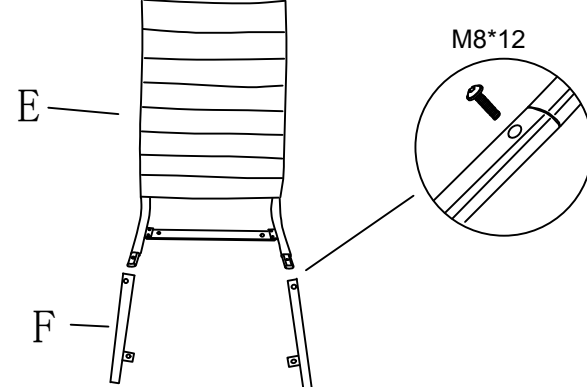
STEP 1



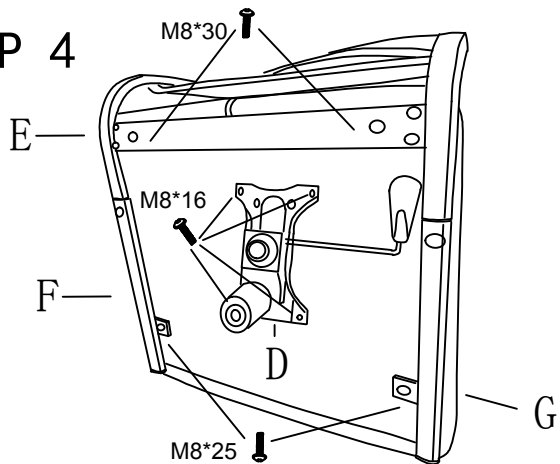
STEP 2



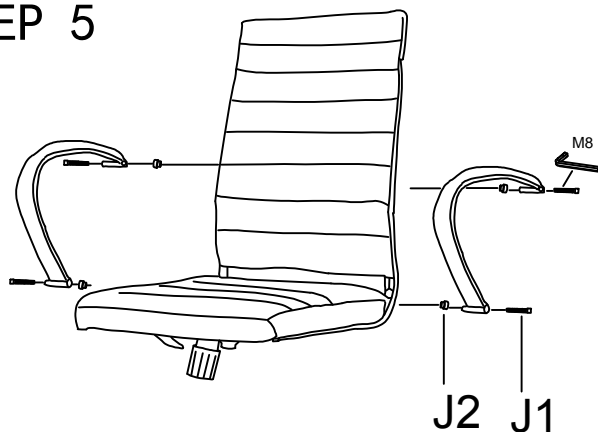
STEP 3



STEP 4



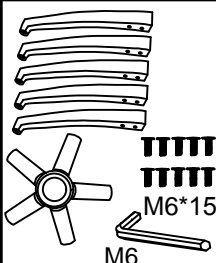
STEP 5



STEP 6

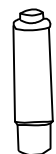


A



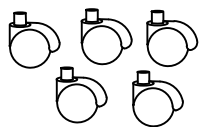
1pcs

B



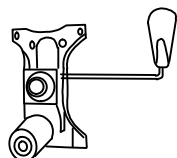
1pcs

C



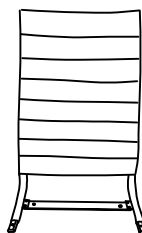
5pcs

D



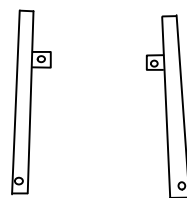
1pcs

E



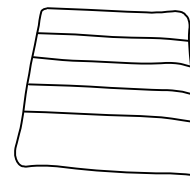
1pcs

F



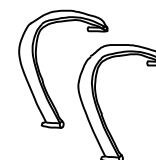
2pcs

G



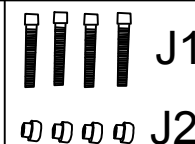
1pcs

H



2pcs

J



M8*16 (4pcs)
M8*12 (2pcs)

K



M8
1pcs