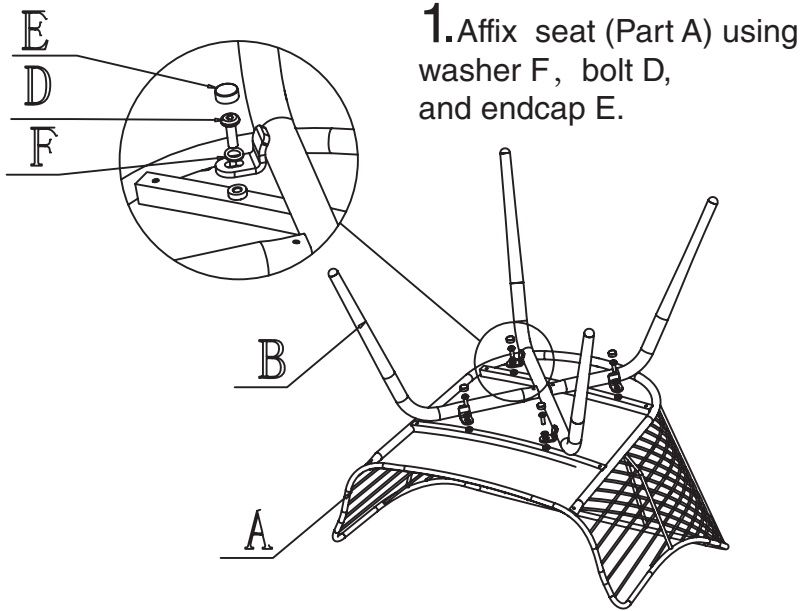


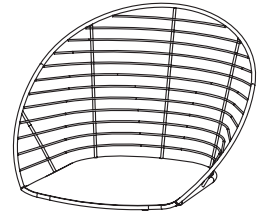
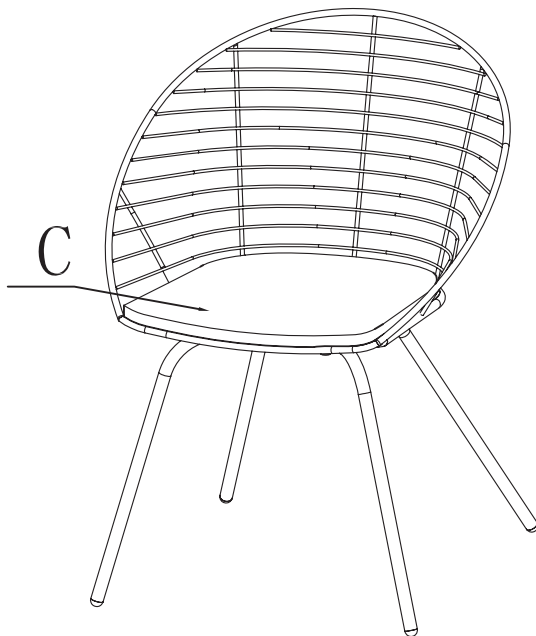
3PCS BISTRO SET

ASSEMBLY INSTRUCTION

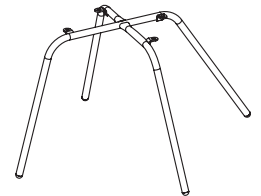
Do this two times



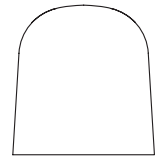
2. Put cushion (Part C) on the chair.



A Seat 2pcs



B Legs 2pcs



C Cushion 2pcs

 D 8Pcs

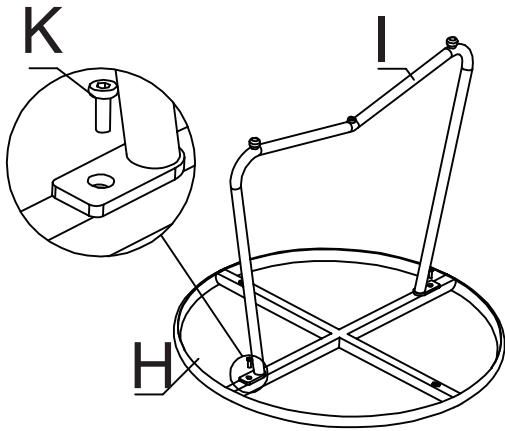
 F 8Pcs

 E 8Pcs

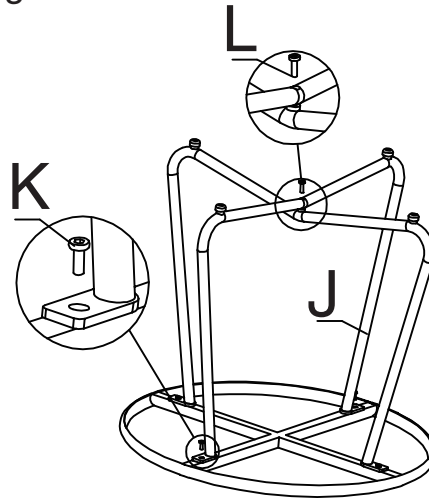


G 1pc

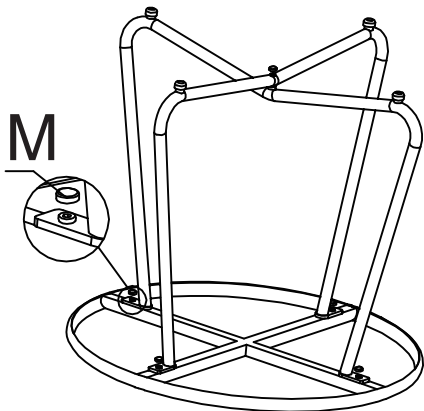
1. Affix leg (Part I) to (Part H) using bolts K



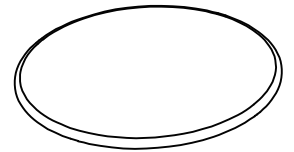
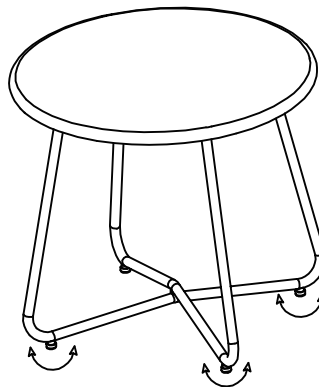
2. Affix leg (Part J) using bolts K. Then attach the two legs together using bolt L.



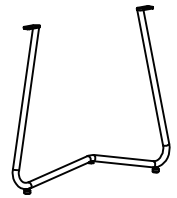
3. Cover the endcap Part M to screws.



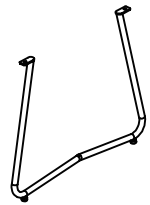
4. Adjust the screws of bottom.



H Top 1pc



I Leg 1pc



J Leg 1pc

 K 4Pcs

 L 1Pc

 M 8Pcs

Attention:

Make sure all screws are fixed tightly before use