



INSTRUCTION MANUAL

Thank you for shopping with us, we really appreciate your business. Our goal is to provide an excellent customer service before, during and after delivery. We've included a guide on how to install this light, should you require additional assistance please feel free to email us, and one of our customer service reps will reach out to assist you.

Before you get started:

When working with electrical wiring, follow these safety instructions to prevent injury or damage:

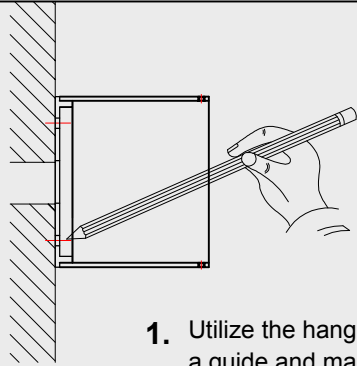
1. Turn off the power: Before starting any work, turn off the power to the area you will be working in.
2. Use appropriate tools: Only use tools designed for electrical work and in good condition.
3. Wear protective gear: Wear safety glasses, gloves, and other protective gear as necessary.
4. Test for power: Use a non-contact voltage tester to check for electrical current before touching any wires.
5. Avoid wet conditions: Do not work with electrical wiring in wet or damp conditions.
6. Keep a safe distance: Stay away from exposed wires or electrical components.
7. Seek professional help: Consult a qualified electrician if you are unsure about any aspect of electrical wiring or encounter any problems.



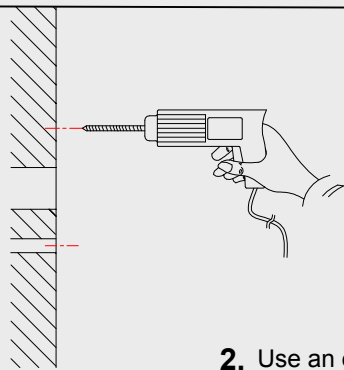
WARNING!

1. Do not use the power supply beyond the specified range (100-240V,50Hz).
2. Avoid scratching the surface and wires of the lamp during installation.
3. Do not install the lamp outdoors.
4. The lamp should not be close to corrosive chemical objects or gases.
It should not be washed with water. It can only be wiped with a clean soft cloth.

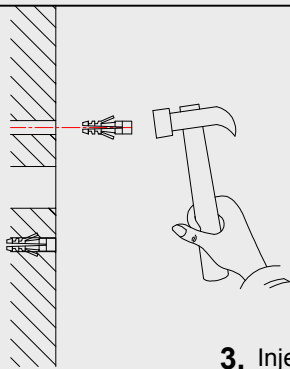
Installation Instructions



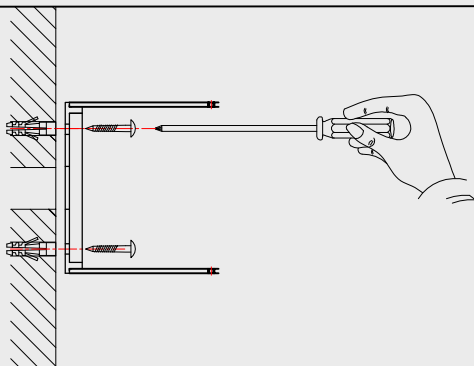
1. Utilize the hanging board as a guide and mark the drilling position on the ceiling wall.



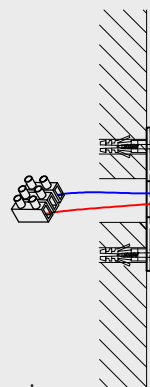
2. Use an electric drill to bore holes in the wall.



3. Inject the expansion glue into the hole.



4. Secure the hanging board to the wall using screws.



5. Connect the wires.



6. Securely fastened the lamp pole to the base.