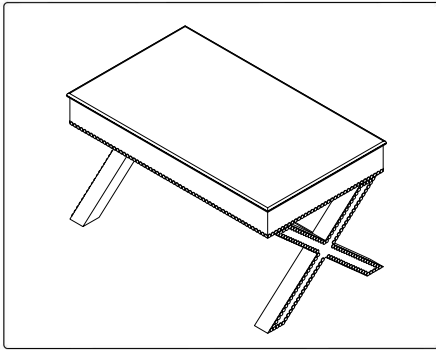


# ASSEMBLY INSTRUCTIONS



## + Do Not Use Power Tools



## + Suggested Adults



### NOTE:

- 1 Read instructions cover to cover.
- 2 Save all packaging until assembly is completed.

## 1 IMPORTANT SAFETY INFORMATION

**Do not** assemble the product if any of the following parts arrived damaged:

- Part # - Seat cushion
- Part # - Support leg
- Part # - Connect rod

**Do not** assemble if any of the following Hardware parts are missing:

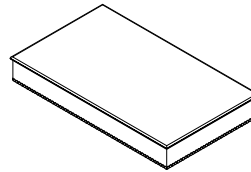
- Part # - Bolt with washer M6\*40mm
- Part # - Bolt with washer M6\*60mm
- Part # - Wrench M6\*55mm

## 2 IMPORTANT ASSEMBLY INFORMATION

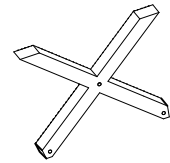
**Assembly Step** If loosening persists, please make sure to tighten all the bolts periodically, or use a thread locker adhesive.

## + Parts Included

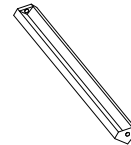
- ① Seat cushion  
1pc



- ② Support leg  
2pcs



- ③ Connect rod  
1pc



## + Hardware Included

- A** Bolt with washer M6\*40mm 4pcs      **B** Bolt with washer M6\*60mm 2pcs

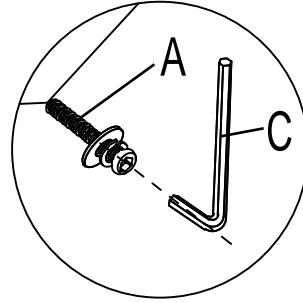
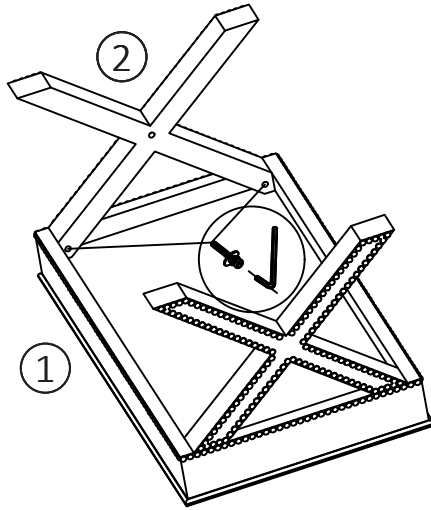


- C** Wrench M6\*55mm 1pc

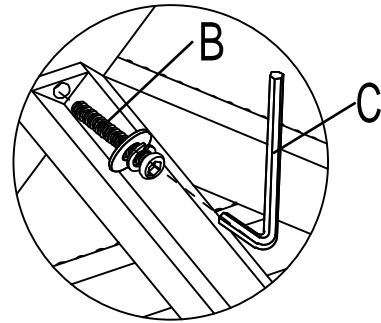
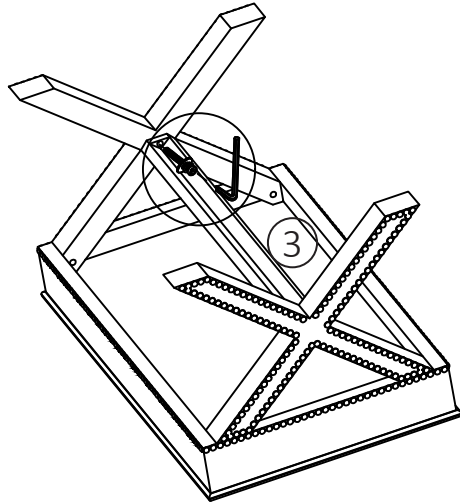


# ASSEMBLY INSTRUCTIONS

1



2



3

