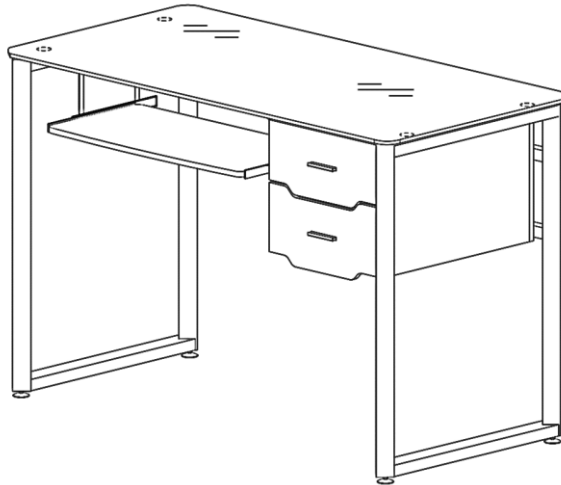


# Assembly Instructions

**Caution : You must read this before you proceed**

## Computer Table



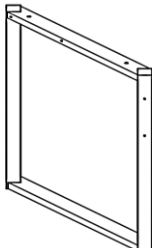
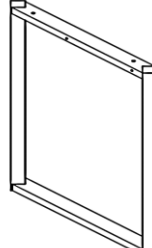
Dear Customer: Thank You for purchasing one of our products, We hope you will enjoy it. Please be aware this Product may require 60 Minutes to assemble. Please carefully read through the instructions below.

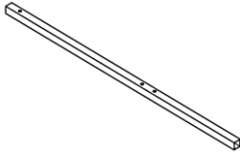
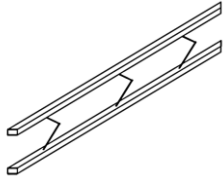
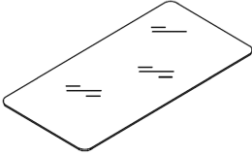
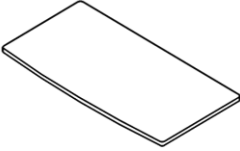
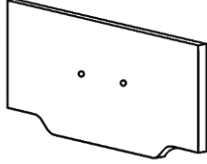
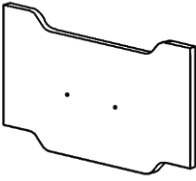
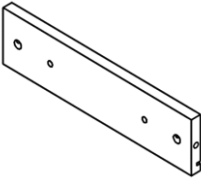
**Note: Do not fully tighten any Bolts or Screws until all are in place.**

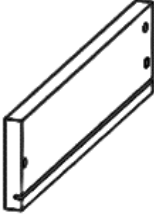
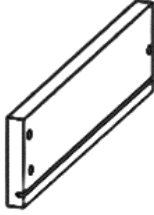
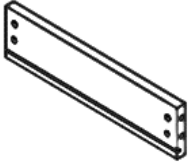
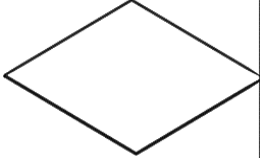
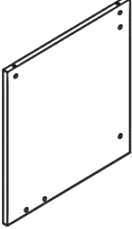
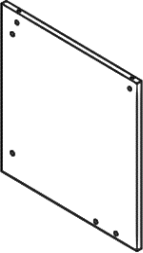
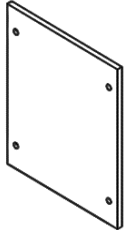
**General Care:** Keep your furniture out of direct sunlight. Use desk pads and coasters to protect the surface from dents, scratches, and moisture condensation from hot or cold liquids.

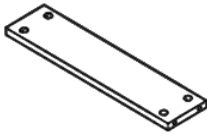
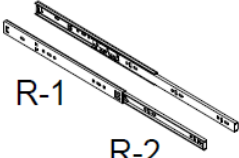
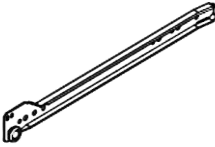

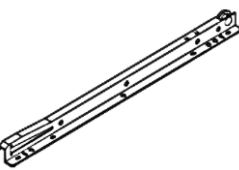
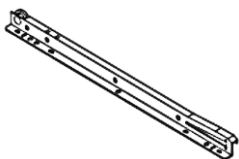
**Cleaning:** For cleaning, wipe the surface with damp (not wet) cloth or wipe dry with a clean lint free cotton cloth.

## Parts List



Label	Picture	Description	QTY
A		Left Metal Leg	1
B		Right Metal Leg	1















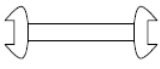
C		Connection Pipe	2
D		Metal Connector Frame	1
E		Glass Table Top	1
F		Keyboard Board	1
G		Upper Drawer Panel	1
H		Lower Drawer Panel	1
I		Drawer Front Panel	2

J		Drawer Left Panel	2
K		Drawer Right Panel	2
L		Drawer Back Panel	2
M		Drawer Bottom Panel	2
N		Cabinet Left Panel	1
O		Cabinet Right Panel	1
P		Cabinet Back Panel	1

Q		Cabinet Bottom Panel	1
R	R-1 R-2 	Keyboard Rail	1
S-1L		Left Drawer Rail	2
S-1R		Right Drawer Rail	2
T-2L		Left Drawer Rail	2
T-2R		Right Drawer Rail	2

**Hardware**

Label	Picture	Description	QTY
①		Bolt (M6x70mm)	5
②		Bolt (M6x50mm)	5

③		Bolt (M6x35mm)	5
④		Bolt (M6x30mm)	5
⑤		Bolt (M6x25mm)	5
⑥		Screw (M5x70mm)	5
⑦		Screw (M5x55mm)	17
⑧		Screw (M4x6mm)	2
⑨		Drawer Handle and Bolts (M4x16mm)	3
⑩		Screw (M.5x14mm)	21
⑪		Keyboard Connection Tray	4
⑫		Adjustable Glider Foot	5
⑬		Nut (M6)	5
⑭		Cam Bolt	5
⑮		Cam Lock	5
⑯		Screwdriver	1
⑰		Spanner	1



- Read instructions, cover to cover-



- Have 2 adults on hand for assembly-



- Do not assemble on flooring or carpet-



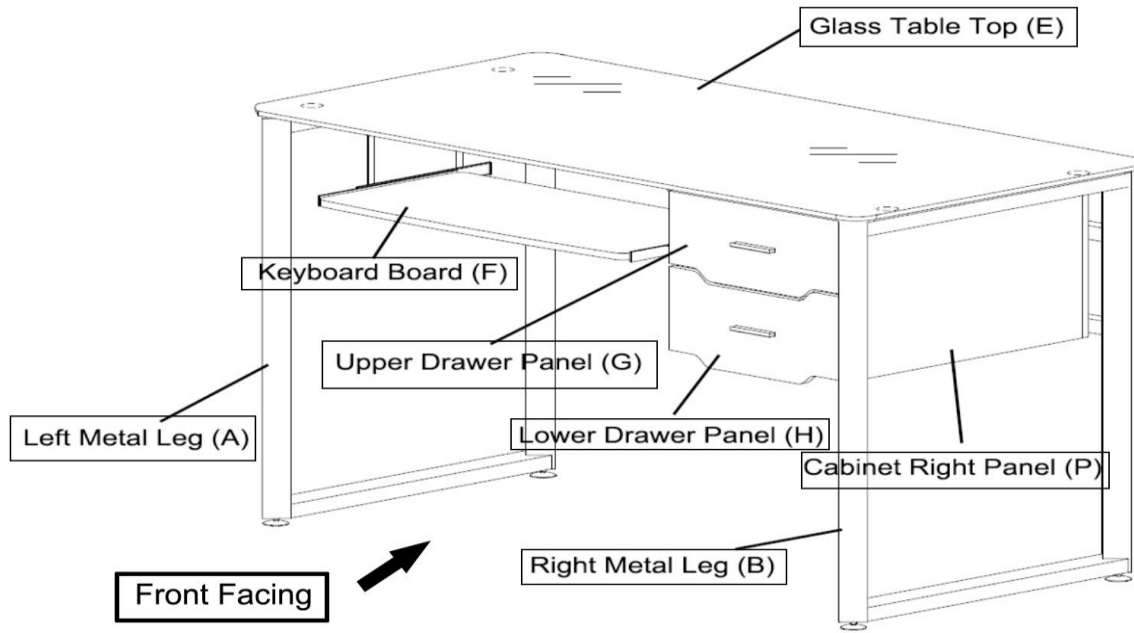
- Assemble on a clean non-marring surface (packing foam)-



- Save all packaging until finished-

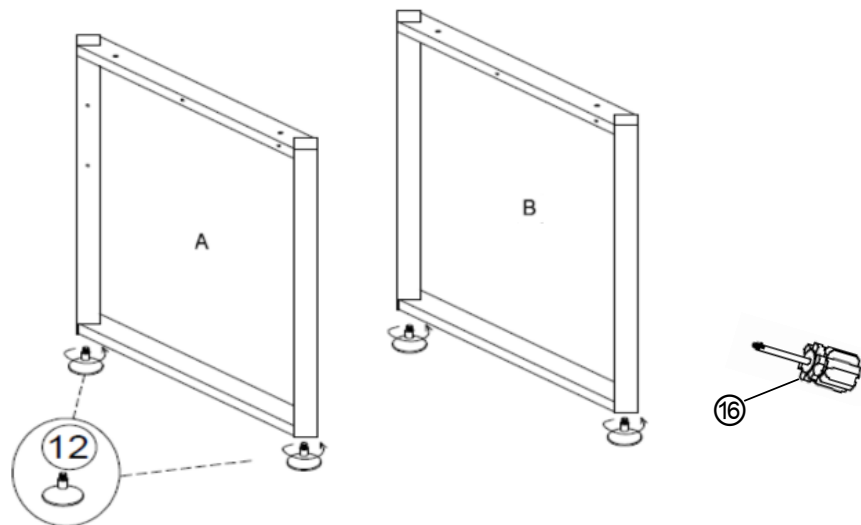
# Assembly Steps

## Overview



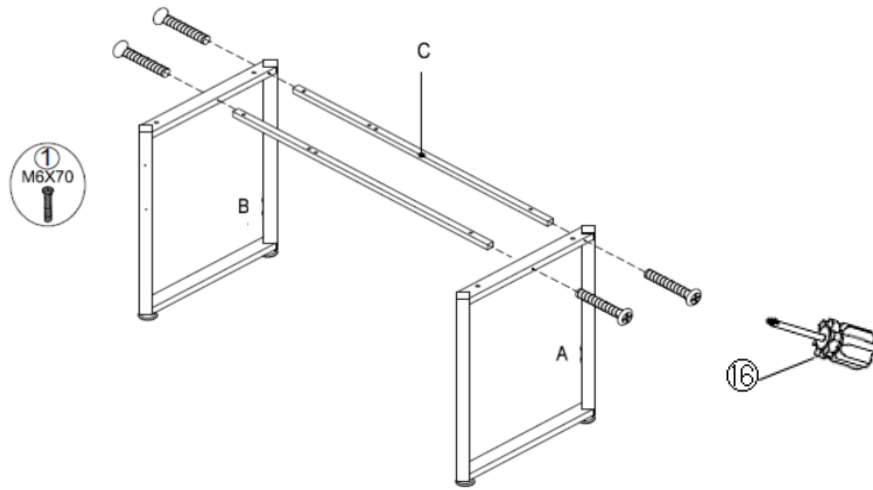
This Computer Table has multiple parts and may require up to 60 minutes to assemble. To give you an overview of the Computer Table parts, the above picture is to help you put the various parts into perspective. Please read through the instructions below to familiarise yourself with the parts and steps before assembly.

## Step 1



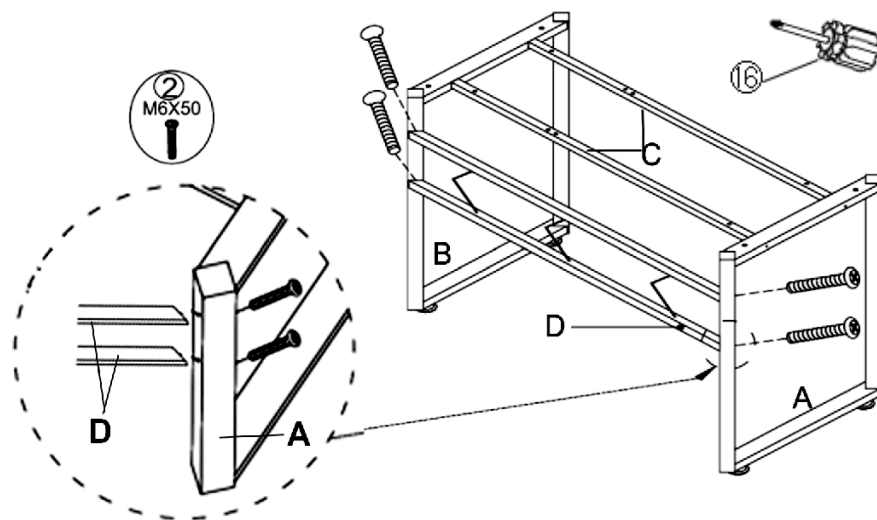
Attach the Adjustable Glider Feet(12) to the bottom of the Left Metal Leg(A) and Right Metal Leg(B) by hand or with Screwdriver(8).

## Step 2



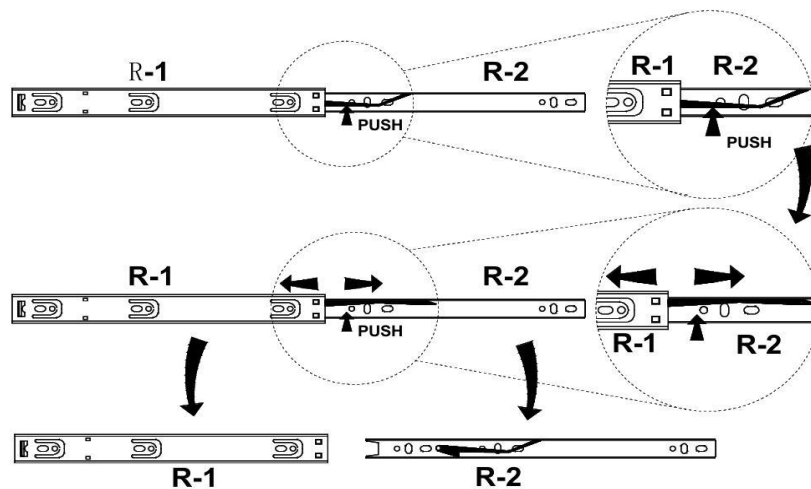
Attach Connection Pipes(C) between Left Metal Leg(A) and Right Metal Leg(B) using Bolts(①) with Screwdriver(⑯).

## Step 3



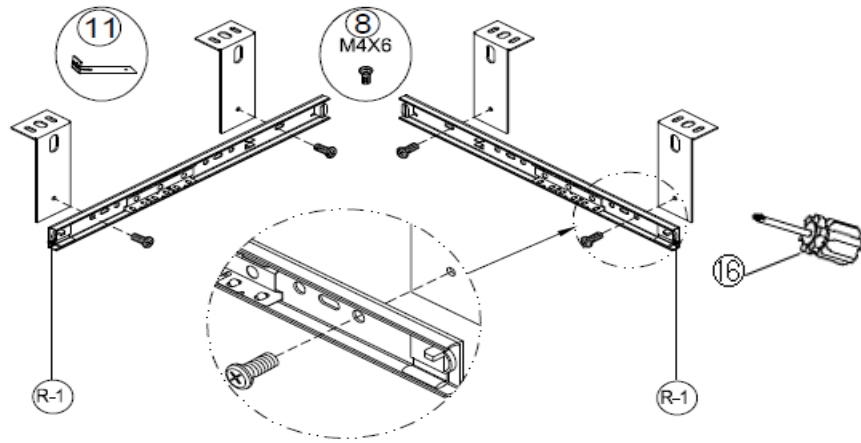
Attach Metal Connection Frame(D) between Left Metal Leg(A) and Right Metal Leg(B) using Bolts(②) with Screwdriver(⑯).

## Step 4



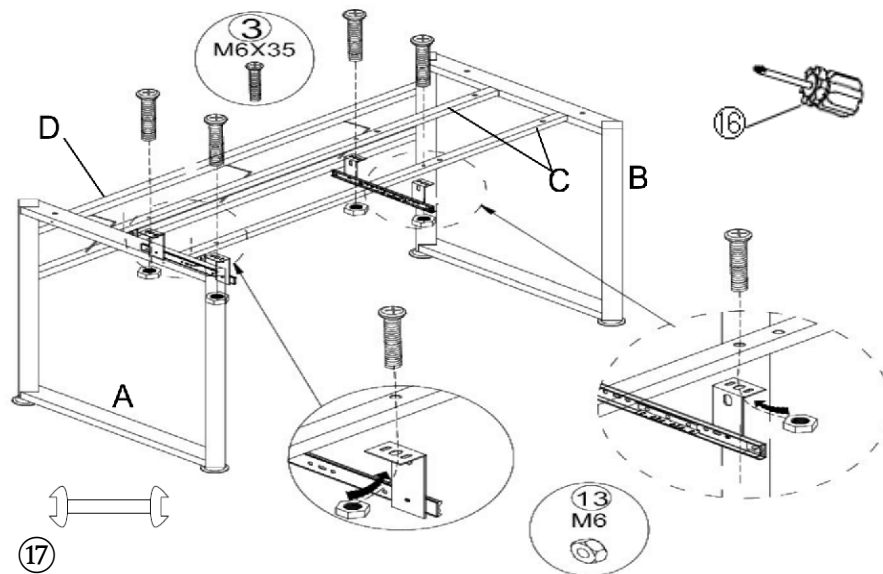
Disassemble the Keyboard Rails(R) by first pushing up on the locking mechanism and then pulling the Rails apart as shown in the picture.

## Step 5



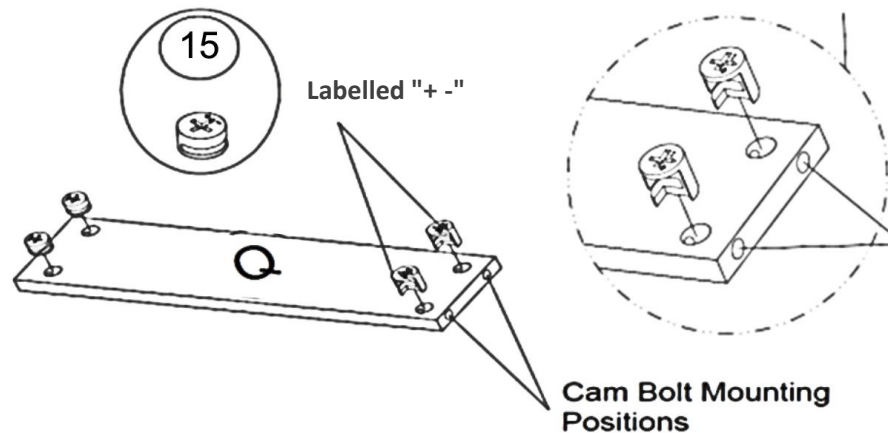
Attach Keyboard Rails(R-1) to Keyboard Connection Trays(11) using Bolts(8) with Screwdriver(16) using the mounting positions as indicated in the picture.

## Step 6



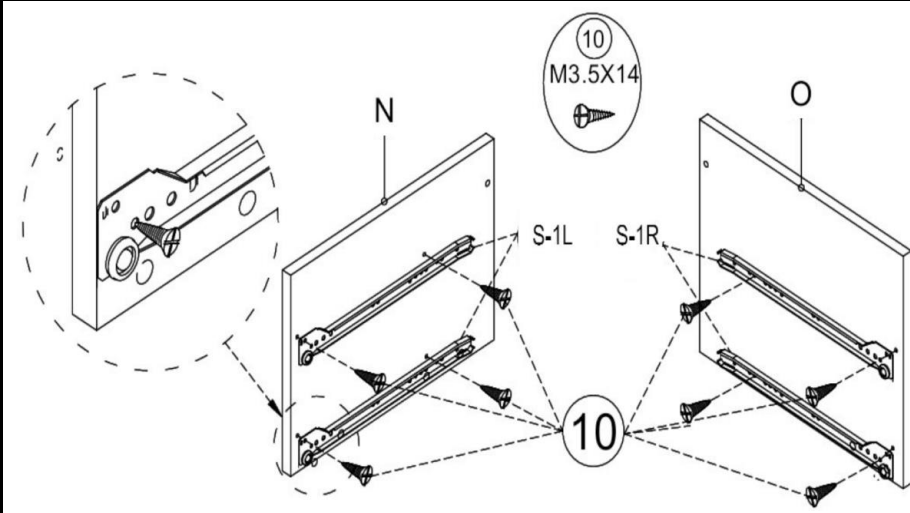
Attach Keyboard Connection Trays(11) under Connection Pipes(C) using Bolts(3), and Nuts(13) with Screwdriver(16) and Spanner(17).

## Step 7



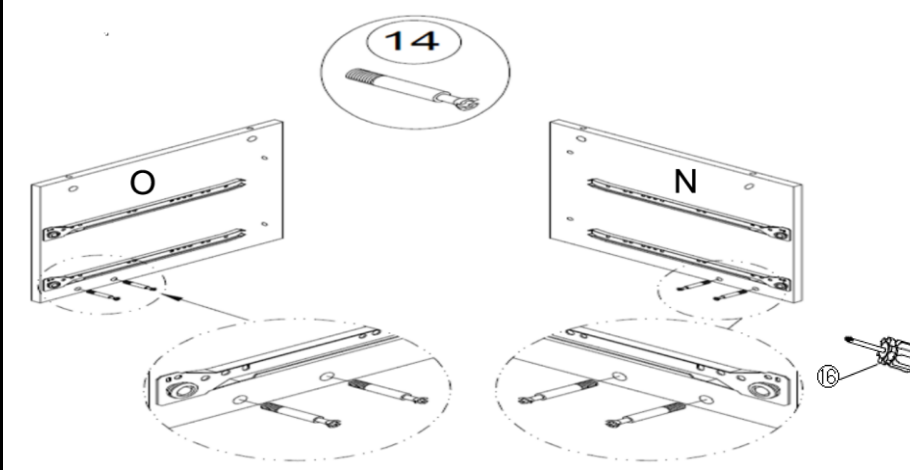
Insert Cam Lock(15) into the mounting positions on Cabinet Bottom Panel(Q).  
**Note: Ensure the arrow labelled "+ -" on the Cam Lock head points towards the Cam Bolt mounting positions.**

## Step 8



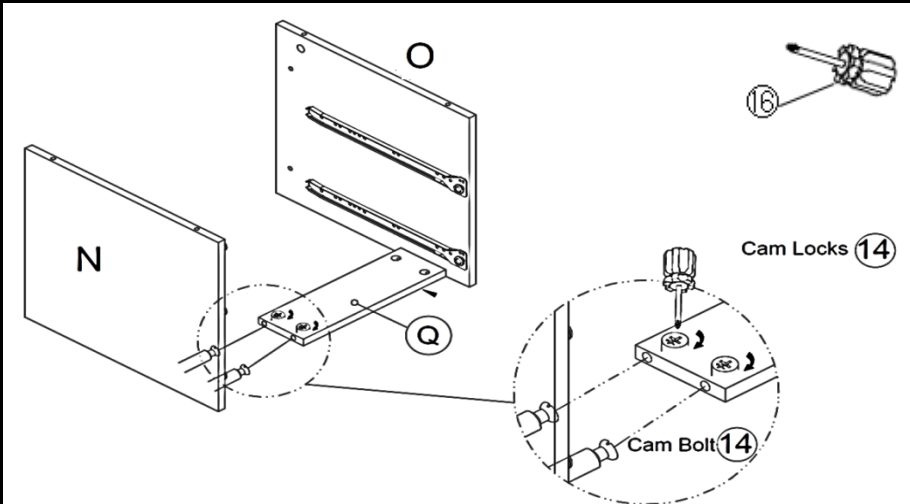
Attach Left Drawer Rails(S-1L) to Cabinet Left Panel(N) using Screws(10) with Screwdriver(16).  
Attach Right Drawer Rails(S-1R) to Cabinet Right Panel(O) using Screws(10) with Screwdriver(16).

## Step 9



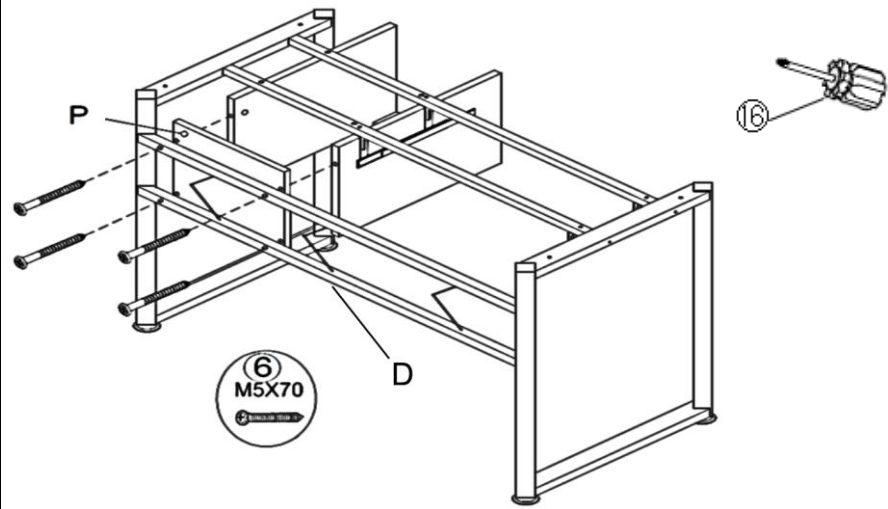
Attach Cam Bolt(14) at the bottom of Cabinet Left Panel(N) and Cabinet Right Panel(O) with Screwdriver(16).

## Step 10



Attach Cabinet Bottom Panel(Q) between Cabinet Left Panel(N) and Cabinet Right Panel(N) by inserting Cam Bolt(14) into the mounting position of Cabinet Bottom Panel(Q).  
Then turn the Cam Locks(14) with Screwdriver(16) until they all lock into place.

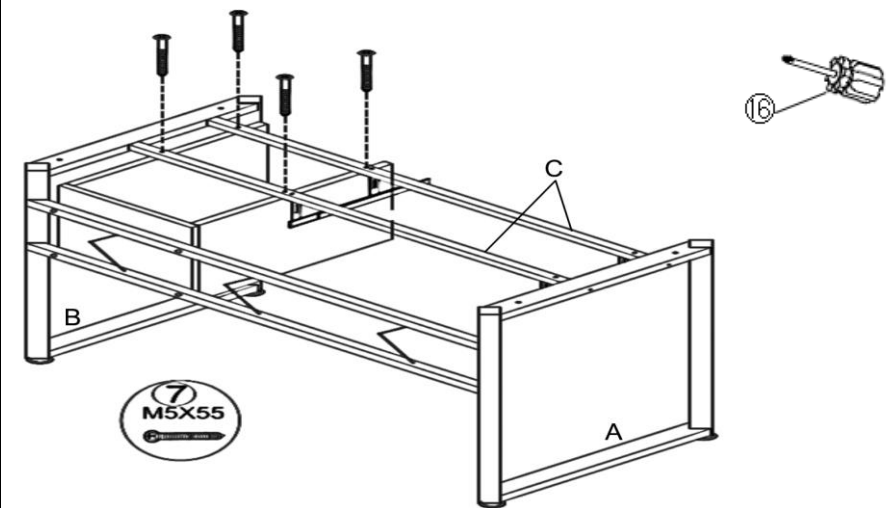
### Step 11



Attach Cabinet Back Panel(P) between Metal Connection Frame(D), and Cabinet Left Panel(N) and Cabinet Right Panel(O) using Screws(6) with Screwdriver(16).

**Note: As the Cabinet is heavy, take care of your safety and have an adult helper to hold the Cabinet.**

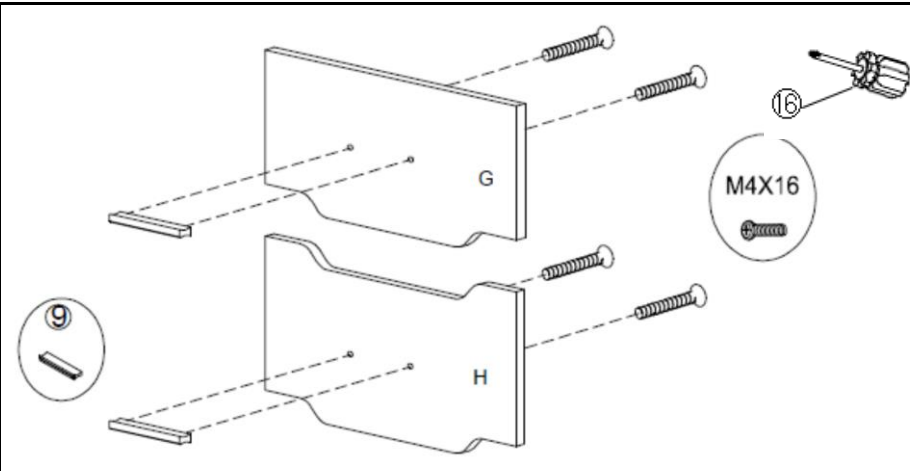
### Step 12



Attach Cabinet Left Panel(N) and Cabinet Right Panel(O) to Connection Pipes(C) using Screws(7) with Screwdriver(16).

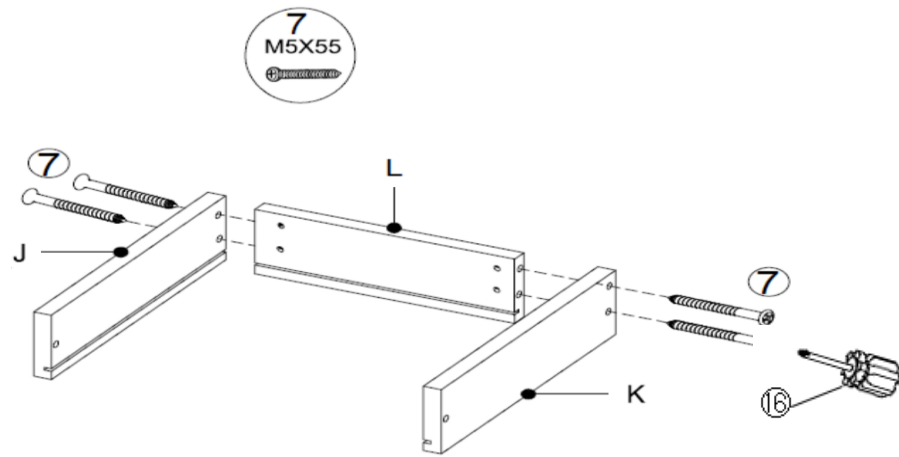
**Note: As the Cabinet is heavy, take care of your safety and have an adult helper to hold the Cabinet.**

### Step 13



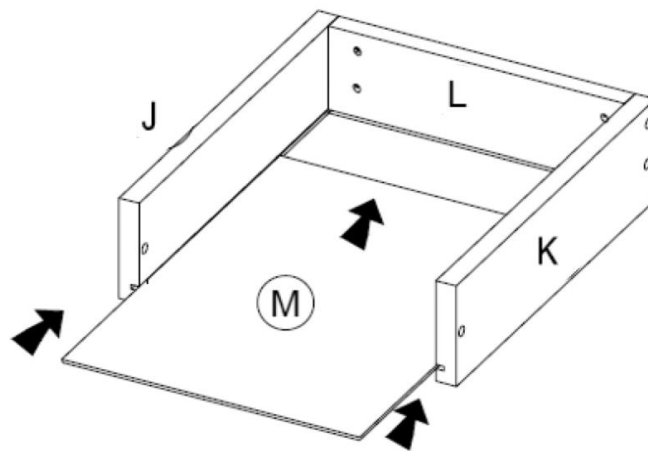
Attach Drawer Handles(9) to Drawer Panel(G) and Drawer Panel(H) using Bolts(9) with Screwdriver(16).

## Step 14



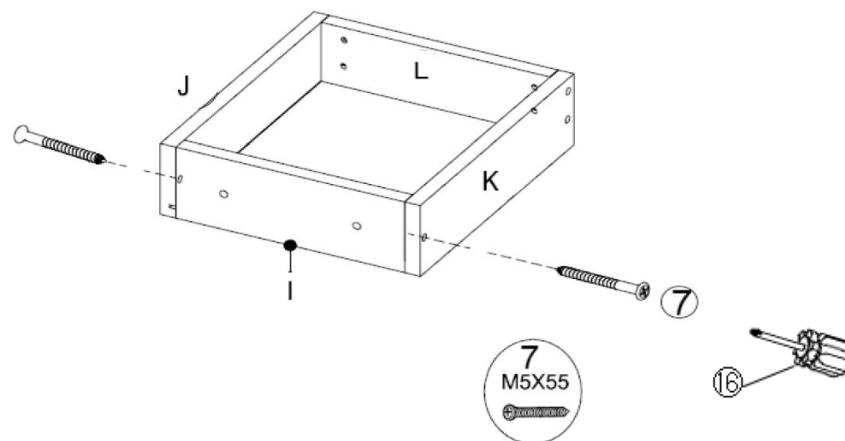
Attach Drawer Left Panel(J) and Drawer Right Panel(K) to Drawer Back Panel(L) using Screws(7) with Screwdriver(16).

## Step 15



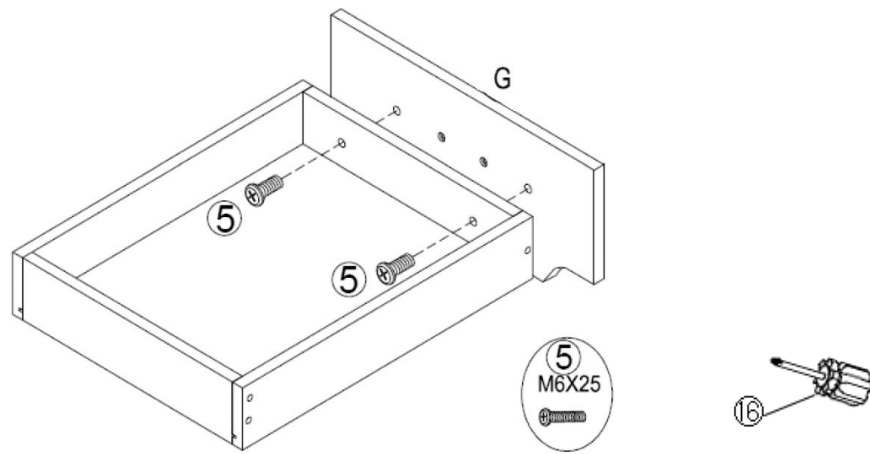
Slide/Insert the Drawer Bottom Panel(M) into the grooves of the Drawer Frame.

## Step 16



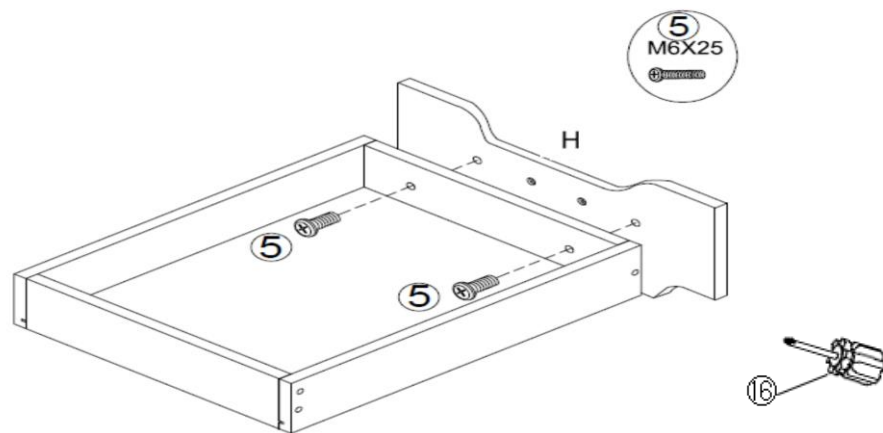
Insert the Drawer Front Panel(I) between Drawer Left Panel(J) and Drawer Right Panel(K) and attach using Screws(7) with Screwdriver(16).

### Step 17



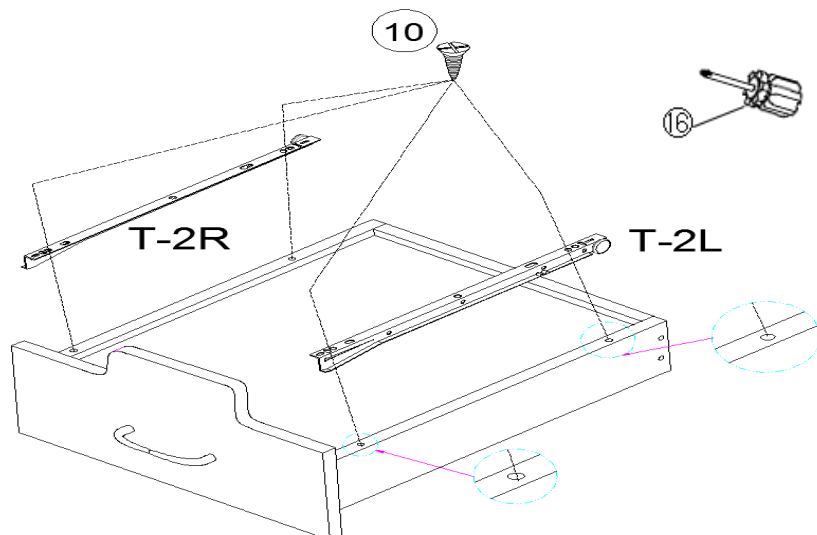
Attach Drawer Panel(G) to Drawer Front Panel(I) using Bolts(5) with Screwdriver(16).

### Step 18



Repeat the entire process from Step 14 to Step 17 to assemble the second Drawer and Drawer Panel(H).

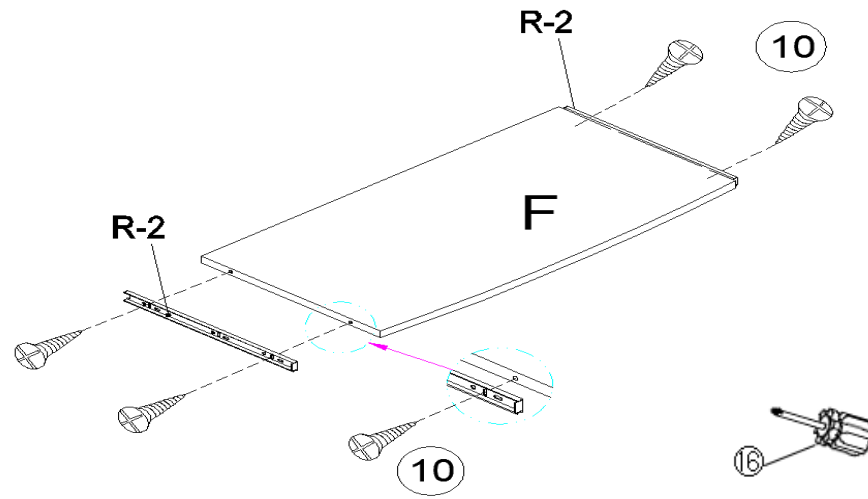
### Step 19



Turn the assembled Drawers over and attach Drawer Rail(T-2L) and Drawer Rail(T-2R) to the two bottom edges at the preset mounting positions using Screws(10) with Screwdriver(16).

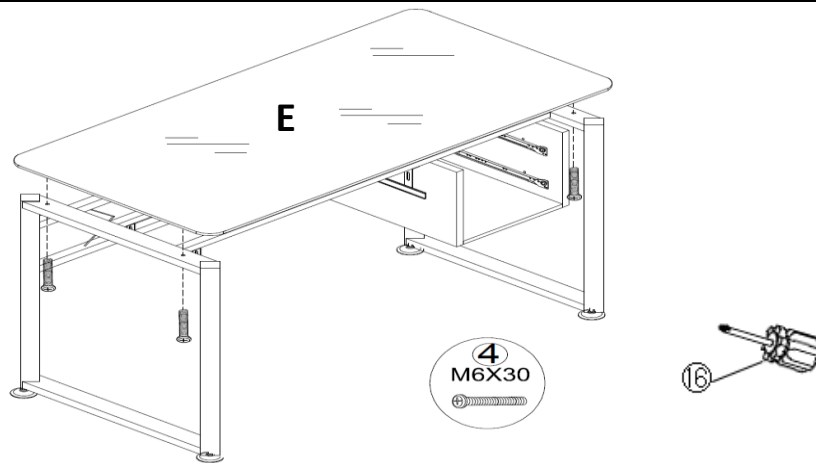
**Note: Repeat the same process with the second drawer. Upon completion of assembly of all drawers, put aside.**

## Step 20



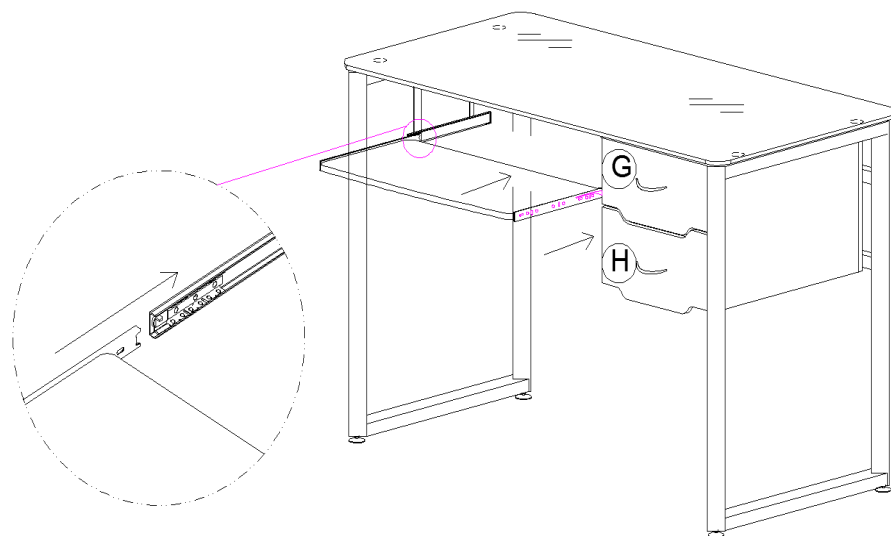
Attach Keyboard Rails(R-2) to Keyboard Board(F) using Screws(10) with Screwdriver(16).  
**Note: Only use the mounting positions indicated in the above picture.**

## Step 21



Carefully place the Glass Table Top(E) onto the fully assembled Frame and attach using Bolts(4) with Screwdriver(16).

## Step 22























Insert Drawers(G & H) into the Cabinet.

Insert the Keyboard Board(F) into the Keyboard Tray as shown.

Your Computer Table is ready for us.

**This Computer Table can only be used on a flat, level surface.**

## Care & Maintenance

-   ● Do not put hot items directly on furniture surface
  -   ● Do not clean furniture with harsh cleansers or polish.
  -   ● Do not place furniture under direct sunlight.
  -   ● Do not place furniture near heating or cooling vents.
  -   ● Do not write on furniture without a padded barrier to protect the surface.
  -   ● Do not place furniture outside . For indoor use only .
  -   ● Not for commercial use. For residential use only .
  -   ● Stains may be removed with mild soap solution and damp cloth.
  -   ● Children should not climb or jump on the furniture.
- 
-   ● Dust and pick-up spills using a clean, non-colored, lint-free cloth .

### What is Proposition 65?

Proposition 65 is a California law that requires warning labels on products that may contain one of more than 800-plus chemicals or ingredients that the California Office of Environmental Health Hazard Assessment (OEHHA) has deemed to cause cancer or other reproductive toxicity. Chemicals and elements on this list include wood dust, brass, and other everyday substances, which can be found in very common household items, such as: lamps, tableware, jewelry, crystal glasses, electric cords, beauty products, automobiles, and furniture.

### Why Did I Find a Proposition 65 Warning on My Home Goods Product?

We include Proposition 65 warnings on all of our products because there is always a chance that one of the 800-plus common chemicals and ingredients listed under this law could potentially be on our furniture or packing materials. We risk large fines under this law, if we don't include this warning.

### Should I worry?

We realize you may be worried finding this warning on our products, but we want to reassure you that the hazardous exposure limits for any of these chemicals have never been found on furniture products that we've shipped to our customers. Additionally, this warning label is very common and can be found on almost every piece of furniture sold in the state of California.

### Just How Common Are Proposition 65 Warnings?

Proposition 65 warnings have become so common in California that it is hard to take a trip to a local bank, grocery store, or restaurant without finding at least one warning. In fact, even the Disney Land Resort has a Proposition 65 warning:

