

Model #DV-1P522BN01

Overall Dimension: 23 1/16" L x 18 7/8" W x 35 7/16" H

Features:

- The expansive countertop of this ceramic pedestal sink provides generous room to neatly organize an array of small items, all within easy reach.
- With a depth of 6 1/2", this pedestal sink accommodates a substantial volume of water effortlessly. Its U-shaped design at the base ensures seamless water flow toward the center drain, preventing any accumulation.
- Our bathroom pedestal sink is equipped with an overflow drain, effectively preventing water pooling in the basin when filled beyond capacity.
- Featuring a 1 3/4" drain and one pre-drilled center faucet hole, this bathroom pedestal sink is accompanied by comprehensive installation instructions, facilitating a quick and hassle-free setup process.
- Whether in a family bathroom, hotel suite, or public restroom, this ceramic pedestal sink effortlessly adapts to showcase its remarkable versatility and utility.



Package Included:



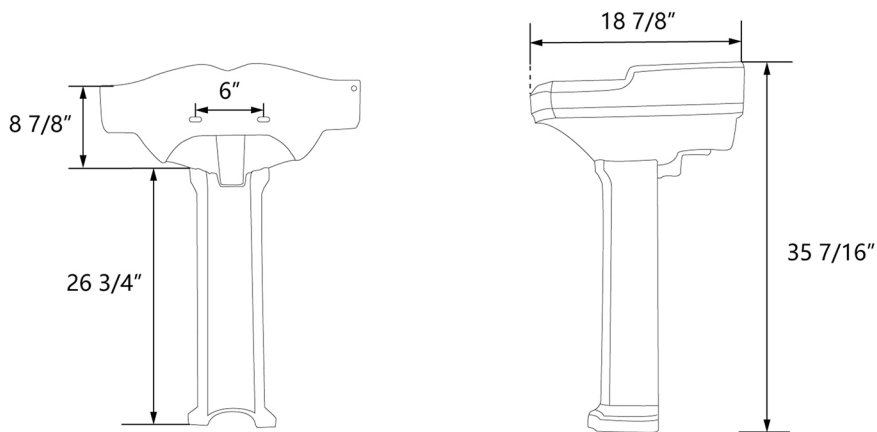
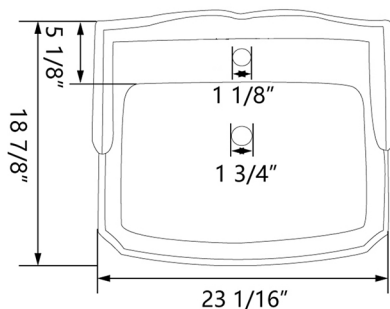
● Pedestal Sink



● Installation Kit

Technical Specifications:

- + Outer: 23 1/16" L x 18 7/8" W x 35 7/16" H
- + Inner: 18 1/2" L x 12" W x 6 1/2" H
- + Weight: 62.04 lbs
- + Drain: 1 3/4" diameter
- + Faucet Hole: 1 1/8" diameter
- + Has Overflow Hole: Yes
- + Color: Bone color



#DV-1P522BN01

Sinks are manually measured, so sizes may vary slightly.

1 Year Warranty

All DeerValley bathroom sinks come with our warranty within one year.

