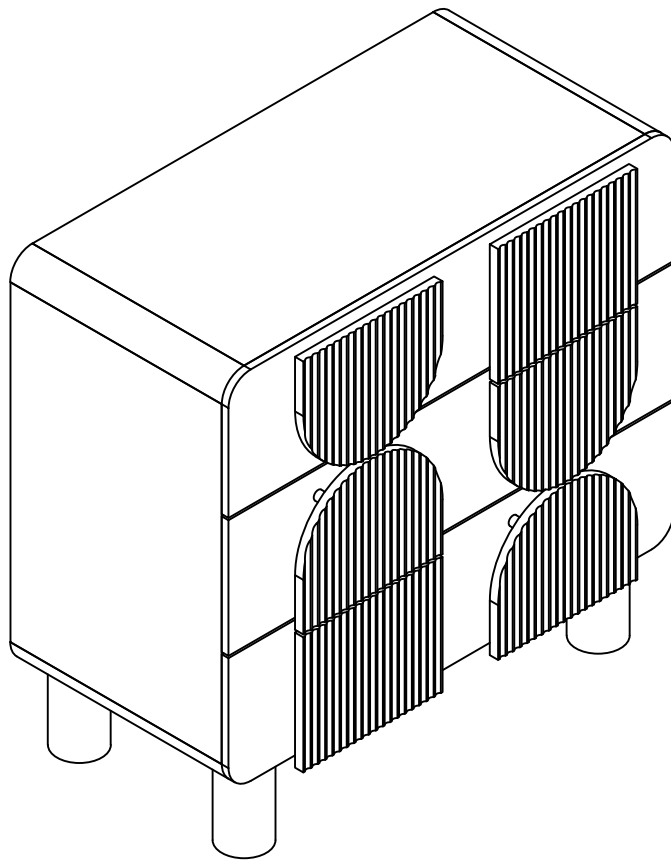


# Installation Instruction

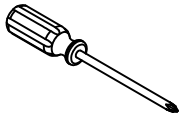


# Assembling

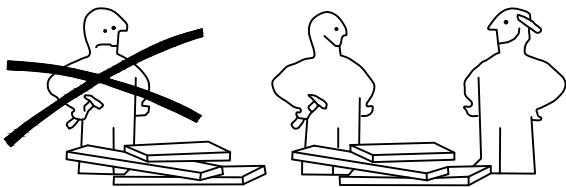
---

## What you need

- Use the packaging carton as a working surface to prevent product damage during assembly
- Phillips head screwdriver



## Weight Limitation

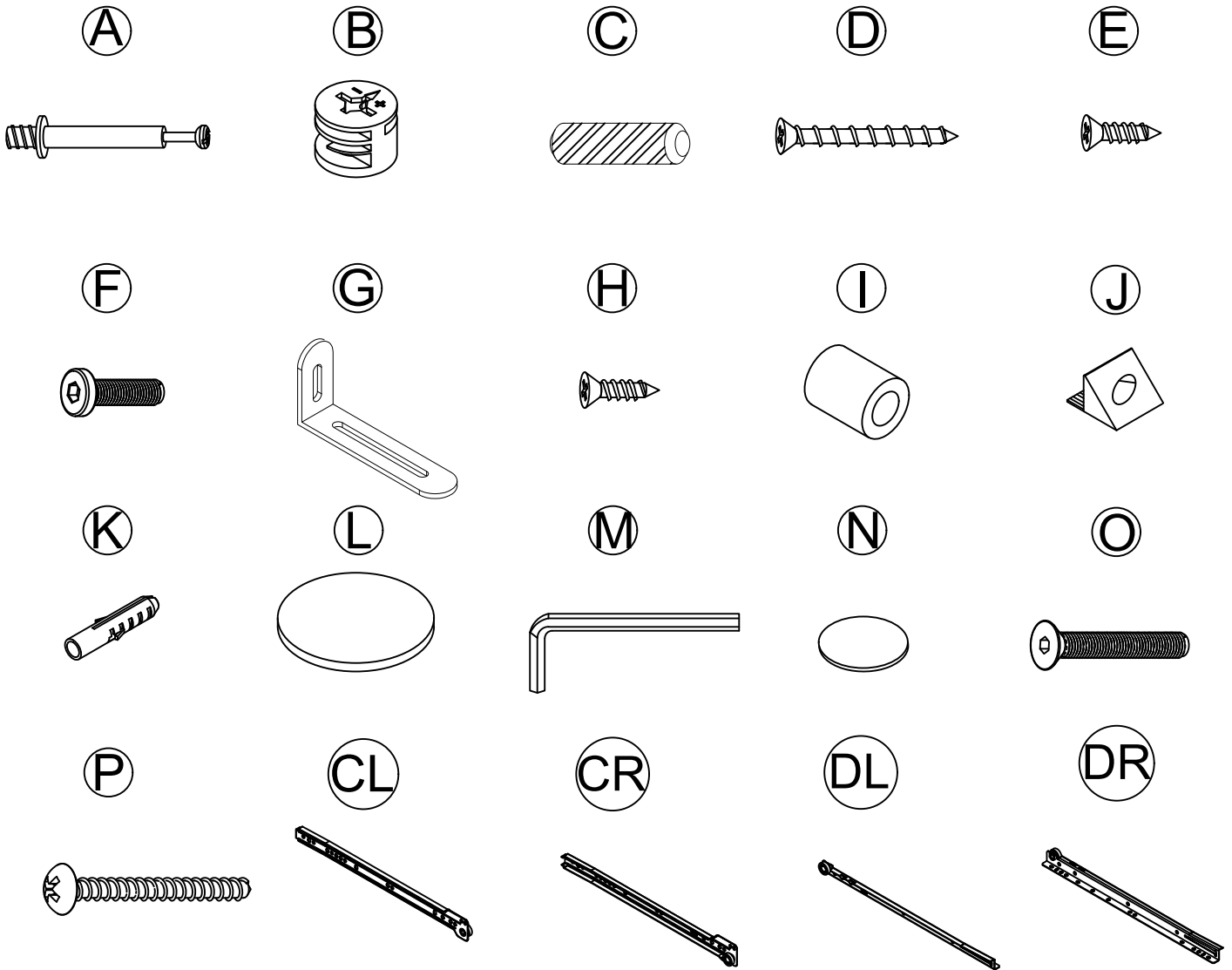


# What' included

---

Code Description	Qty
A Cam Bolt M6X35MM	39
B Cam Lock 15X10MM	39
C Wooden Dowel M8X30MM	24
D Screw M4X40MM	17
E Screw M3.5X14MM	14
F The screw M6X30MM	3
G Metal connector	2
H Screw M3.0X14MM	24
I Rubber pad	24
J The back button	12
K Anchor	2
L EVA pad	4
M Wrench M4X90MM	1
N Self-adhesive hole sticker	39
O The screw M6X40MM	24
P Screw M4.0X45MM	8
CL Left mother extended orbit	3
CR Right mother extended orbit	3
DL Left public extension track	3
DR Right public extends track	3

# The Hardwares



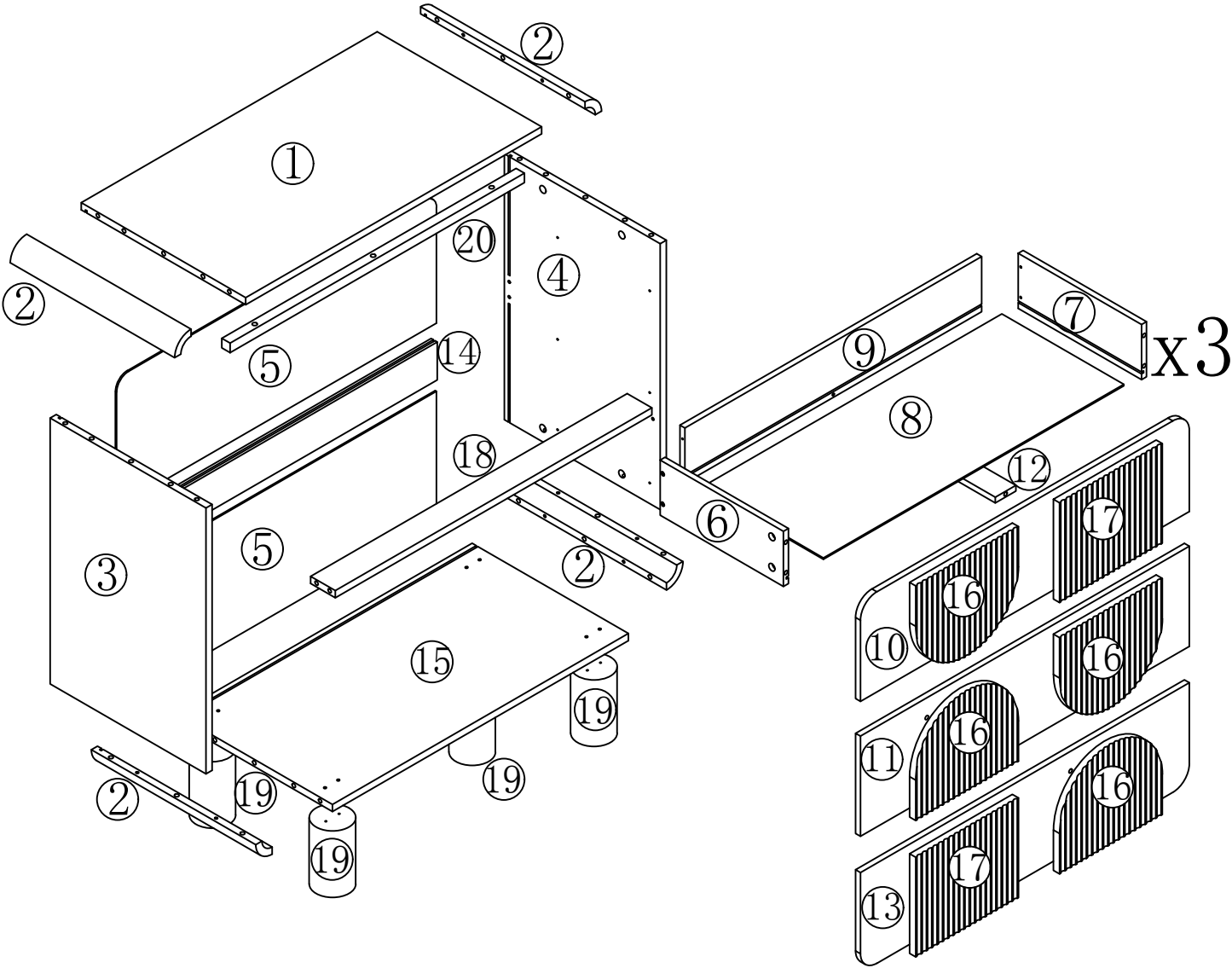
## IMPORTANT:

1. Do not tighten bolts / screws completely until all bolts / screws are lined up and inserted into holes.
2. Do not over tighten screws and bolts to avoid stripping
3. You can use a screwdriver. Power tools can also be used. (Be careful with power tools)

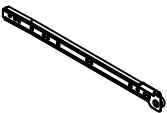


# Included Accessories

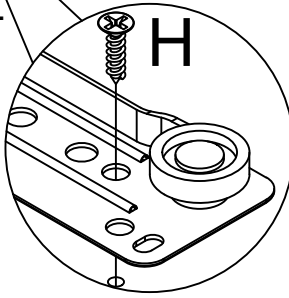
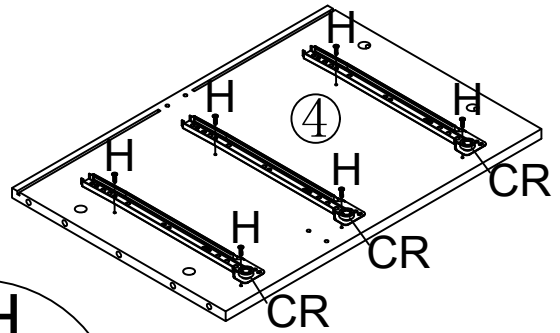
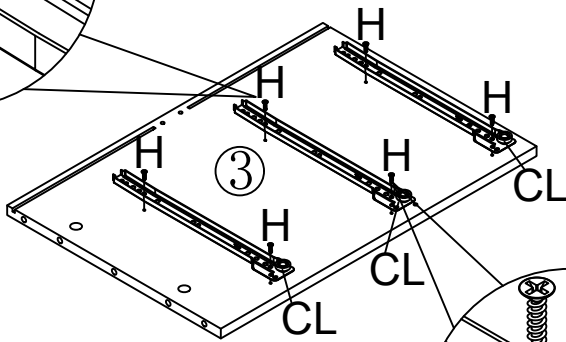
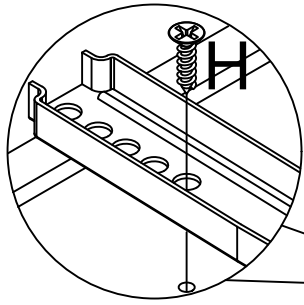
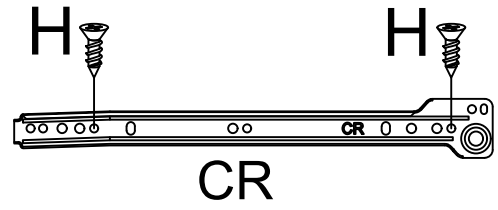
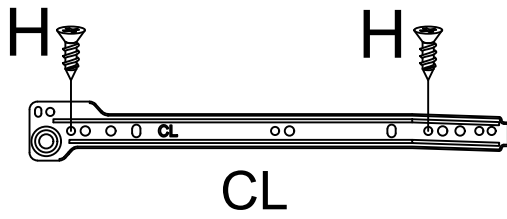
Code	Description	Qty
1	Cabinet Top	1
2	Arc connecting plate	4
3	Left Side Panel	1
4	Right Side Panel	1
5	Upper back plate	2
6	Drawer left panel	3
7	Drawer right side panel	3
8	The drawer bottom	3
9	After the drawer board	3
10	Upper drawer panel	1
11	Middle drawer panel	1
12	At the bottom of the drawer	3
13	Lower drawer panel	1
14	After the gusset plates	1
15	Bottom Panel	1
16	Arc-shaped drawer surface decorative panel	4
17	Square drawer surface decorative panel	2
18	Cabinet body reinforcing board	1
19	Solid wood feet	4
20	Panel metal reinforcing pipe	1

# The Accessories

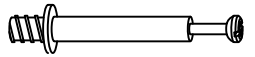


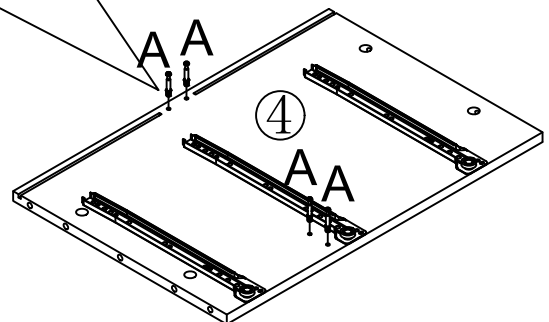
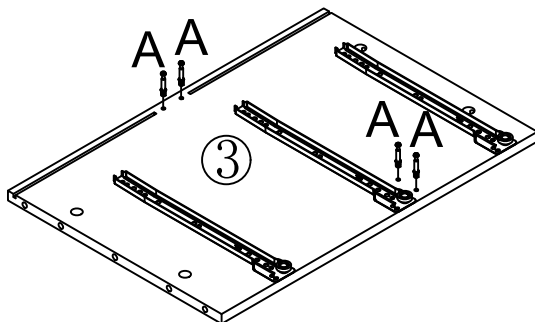
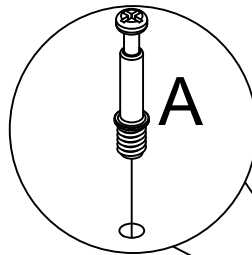
# Step 1

CL	×3	CR	×3	H	×12
					

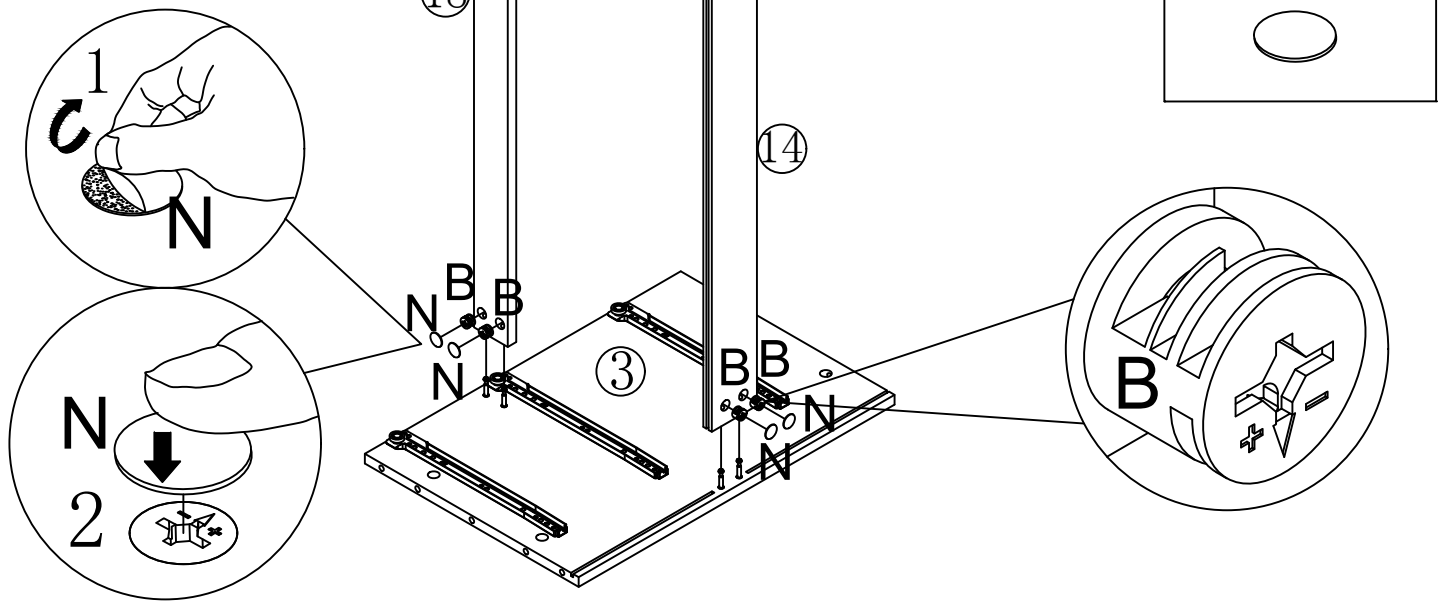


# Step 2

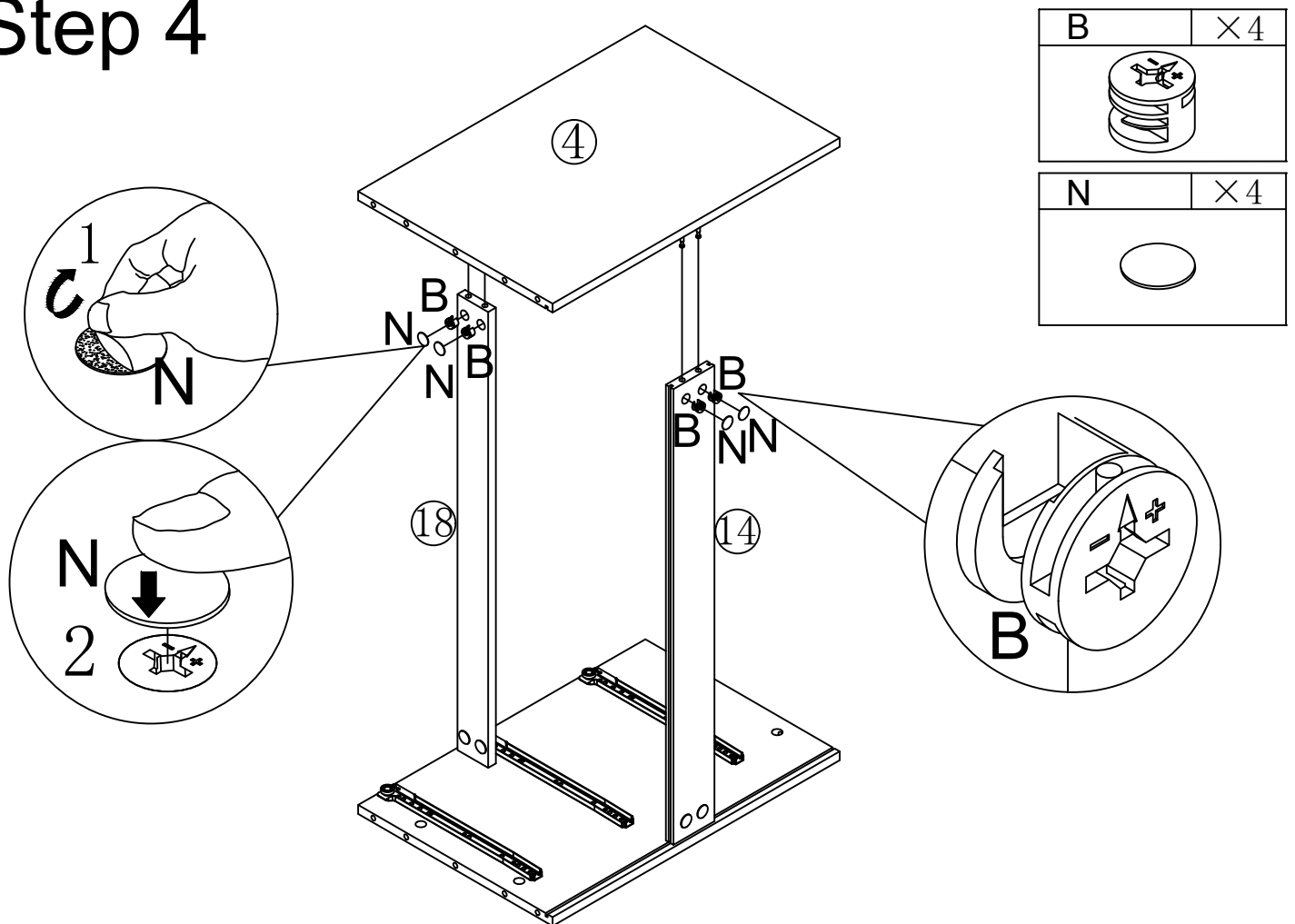
A	×8
	



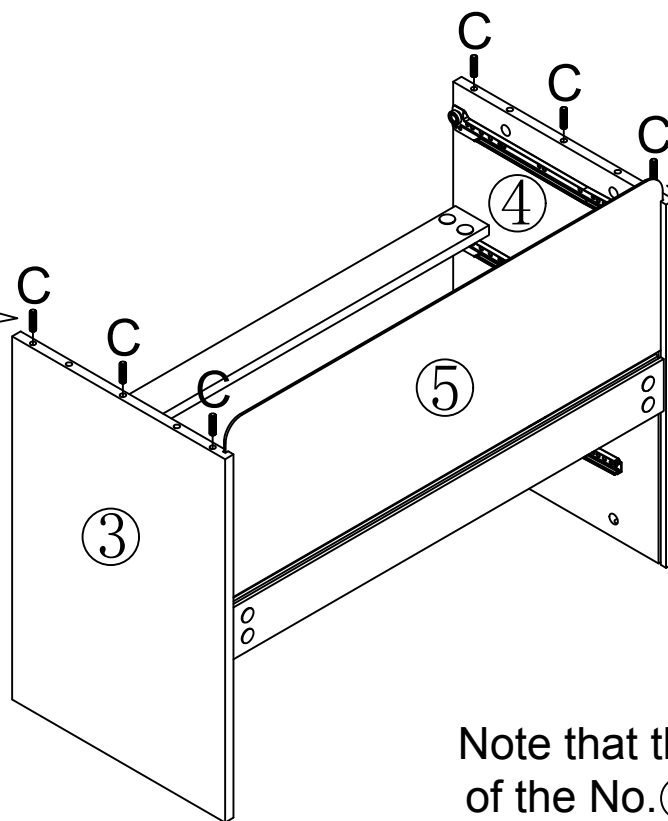
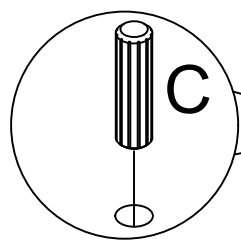
# Step 3



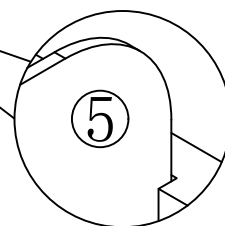
# Step 4



# Step 5

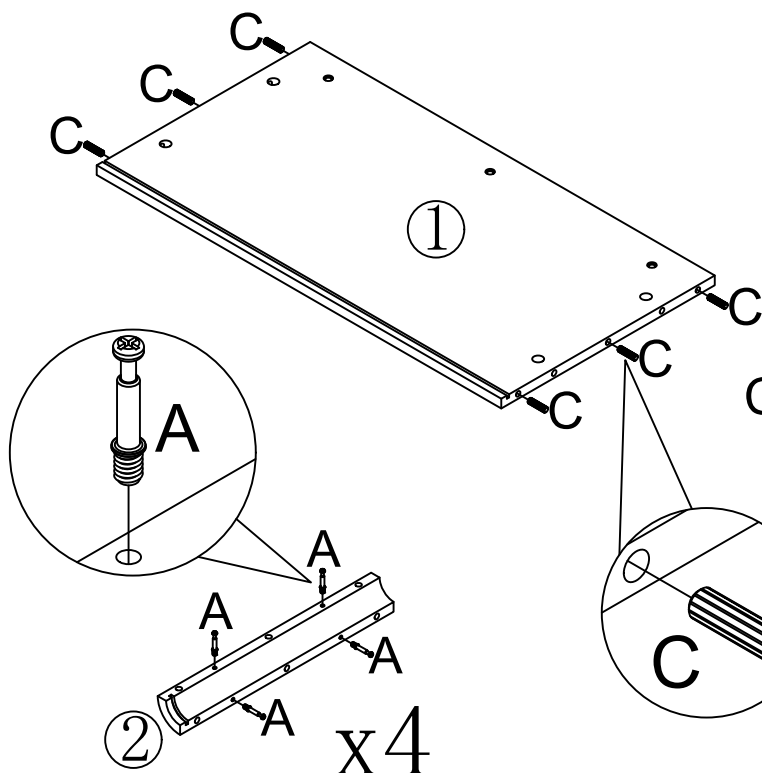


C	×6



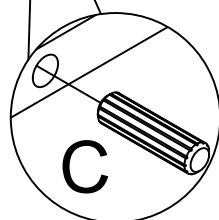
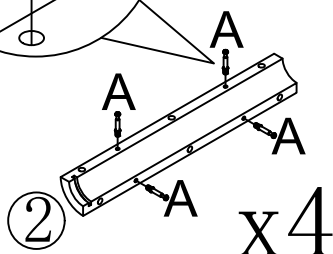
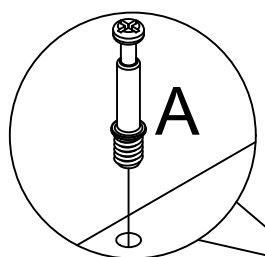
Note that the two R corners of the No. ⑤ back plate are facing upwards

# Step 6





A	×16

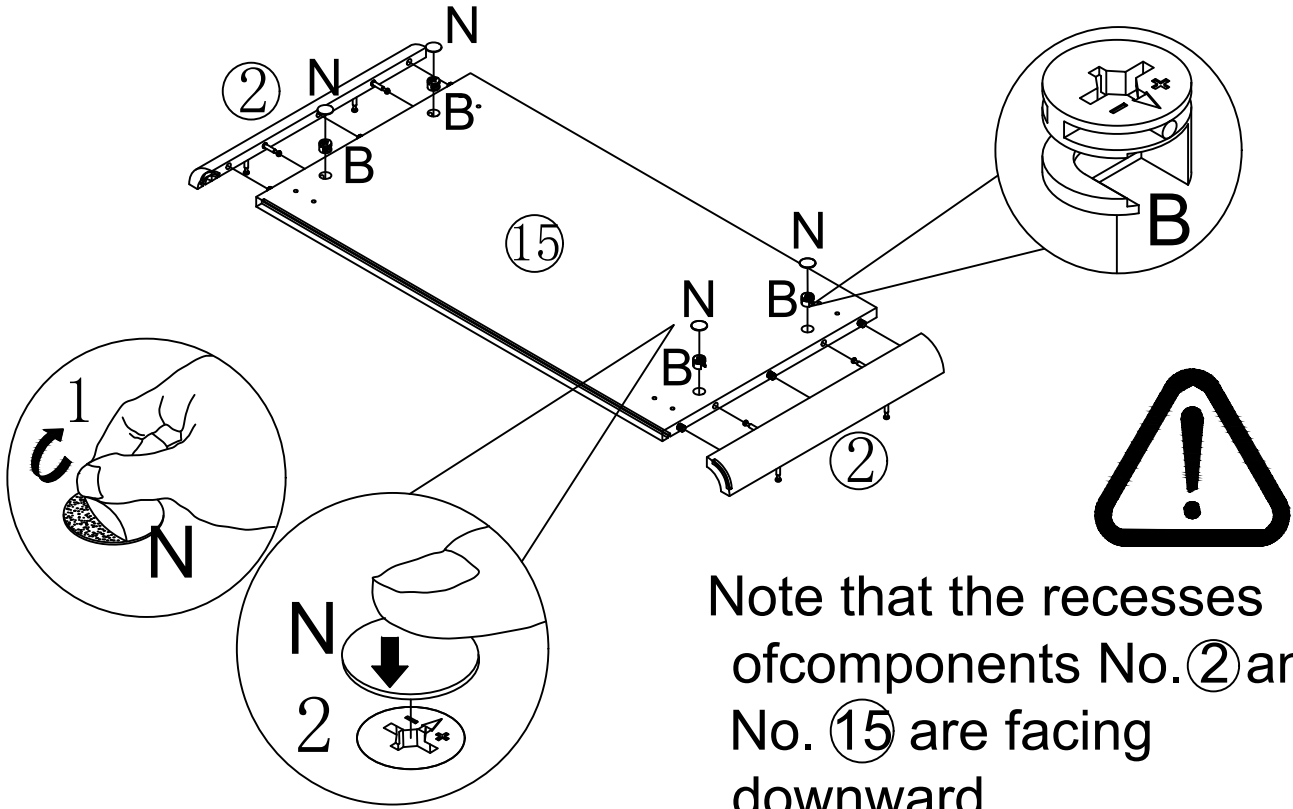
C	×12



Note that when the No. ② connecting plate is equipped with R Angle lock hardware A, it should be locked straight, not crooked, not very tight, and the normal lock is flat

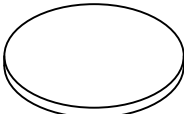

# Step 7

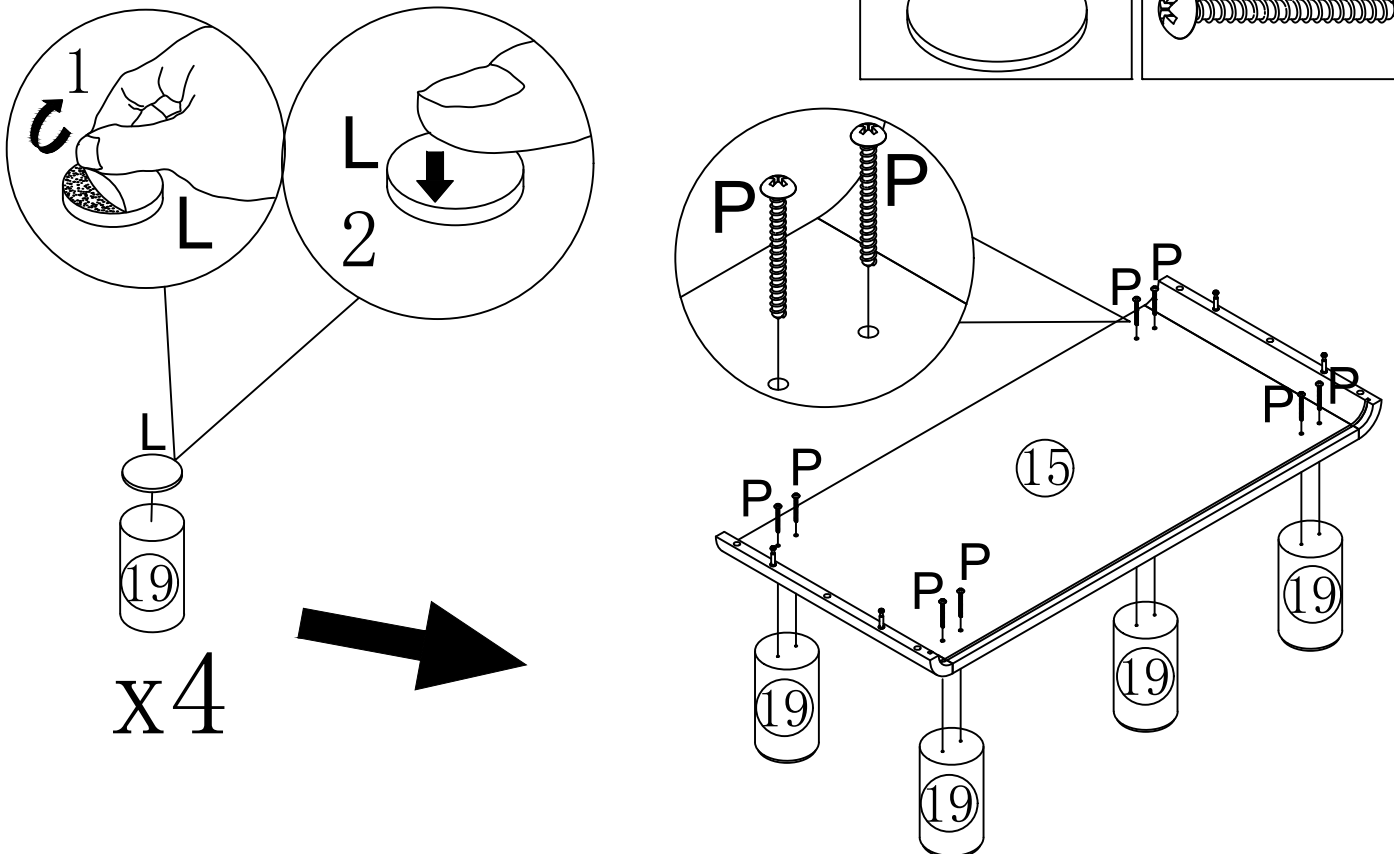
B	×4	N	×4
			



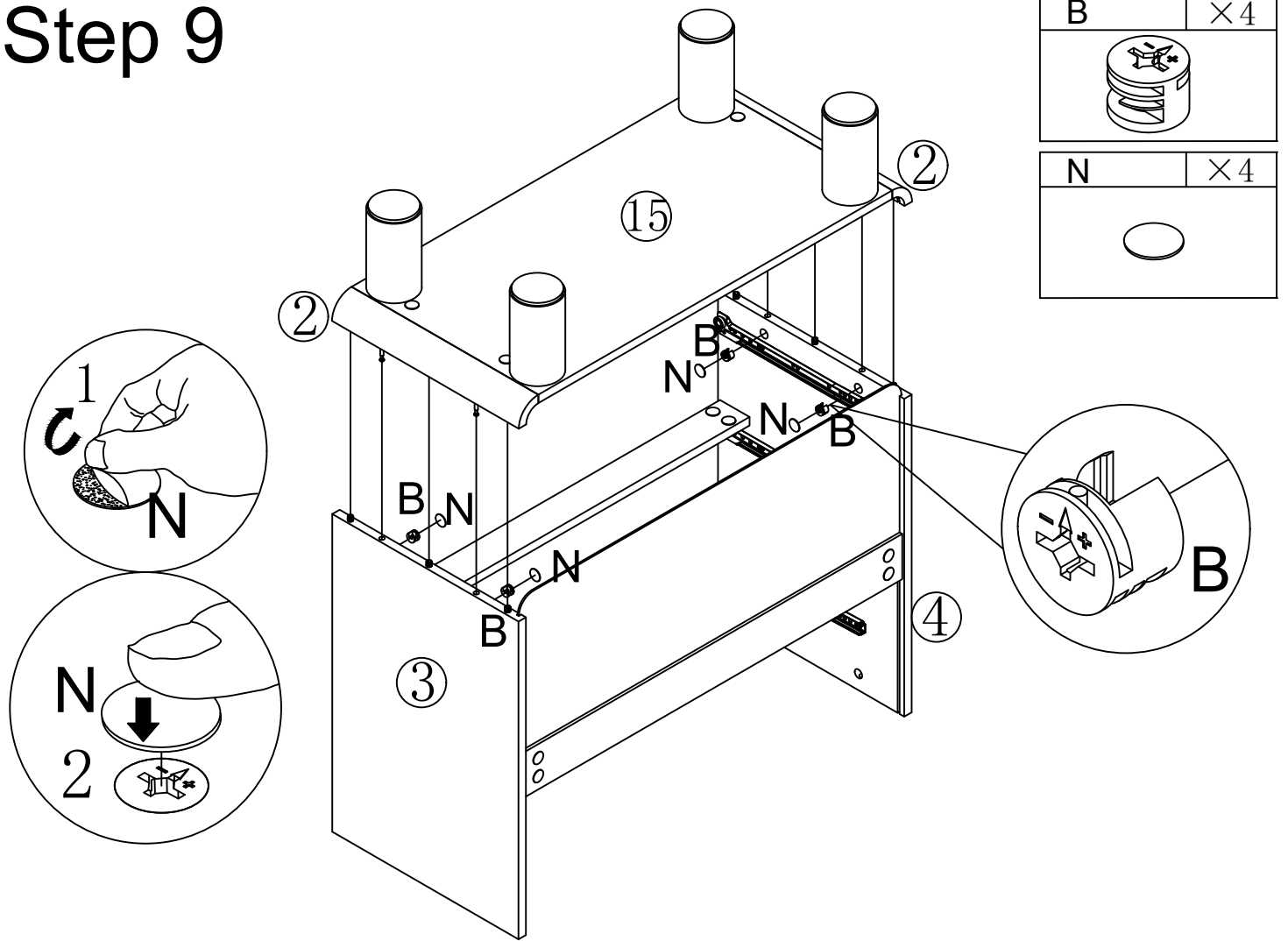
Note that the recesses of components No. ② and No. ⑮ are facing downward

# Step 8

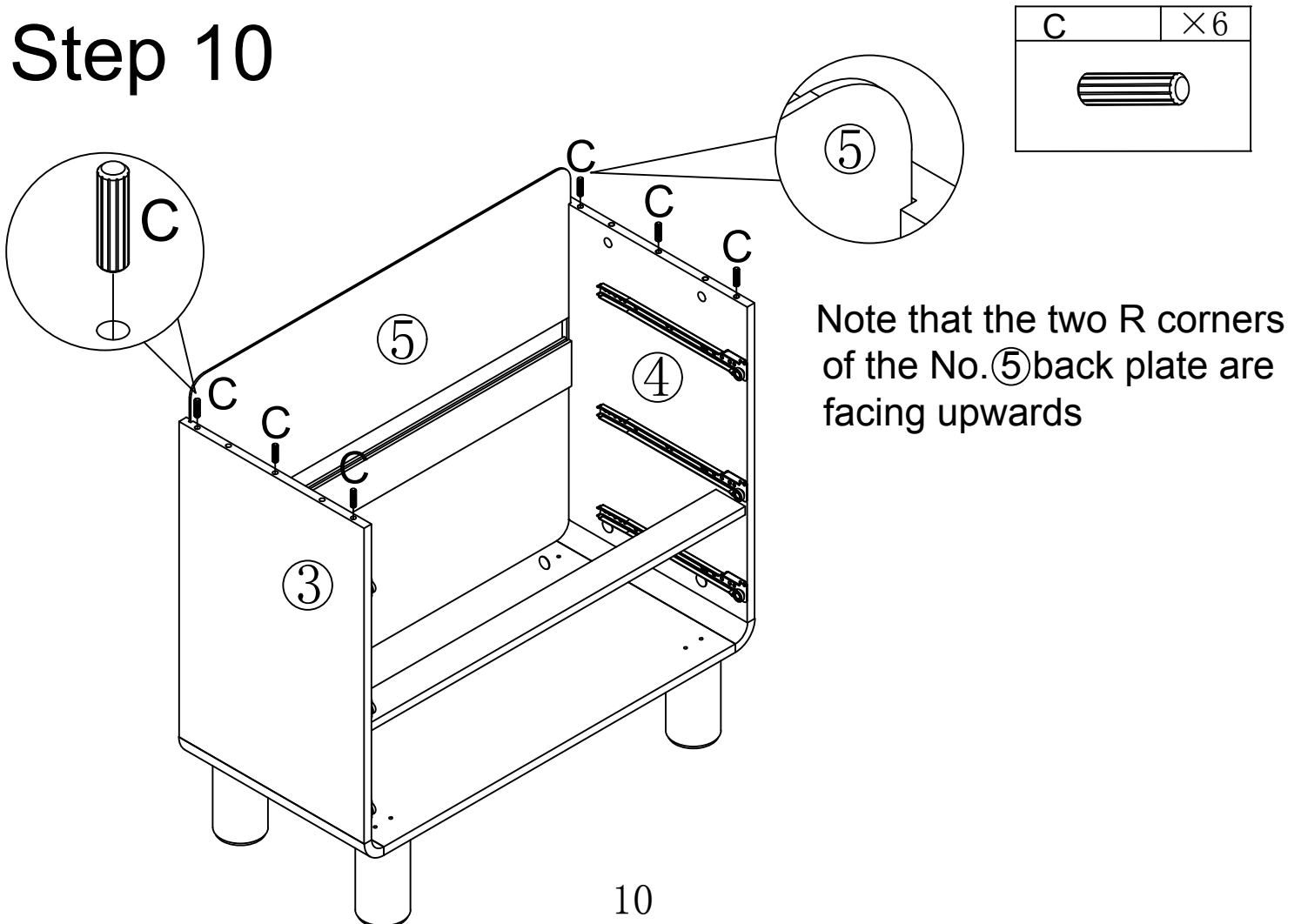
L	×4	P	×8
			





# Step 9

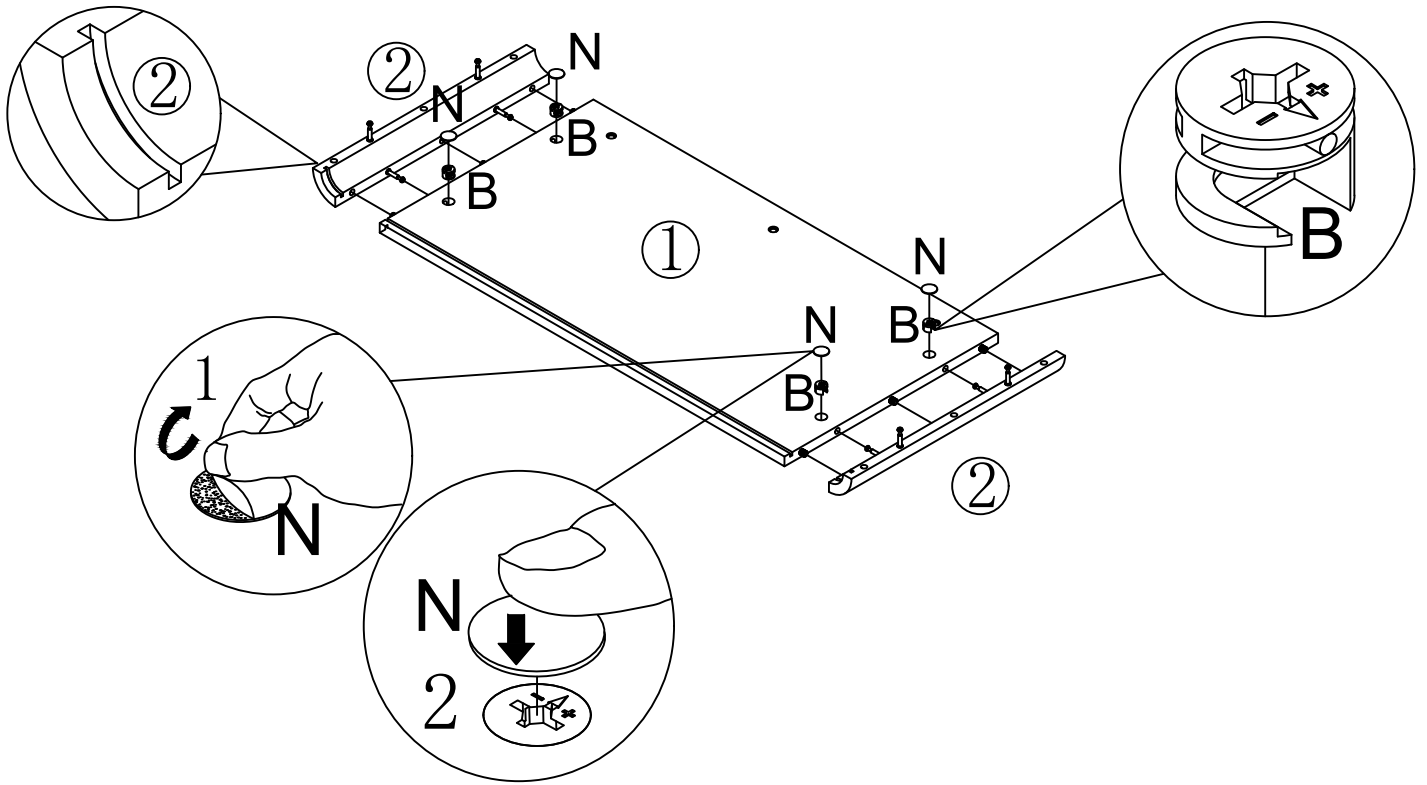


# Step 10

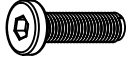
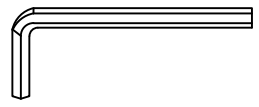


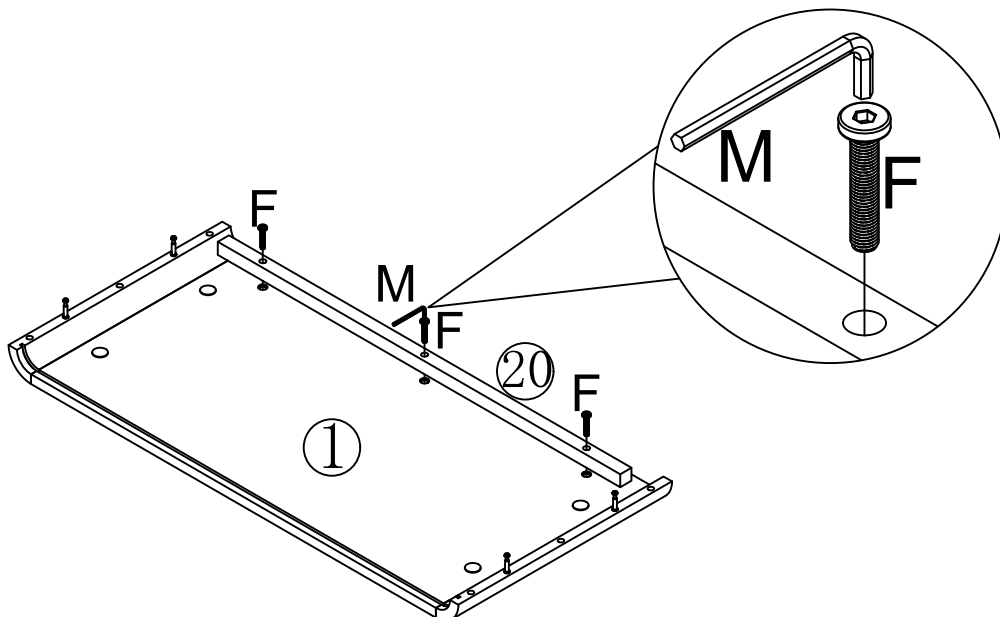
# Step 11

B	×4	N	×4
			

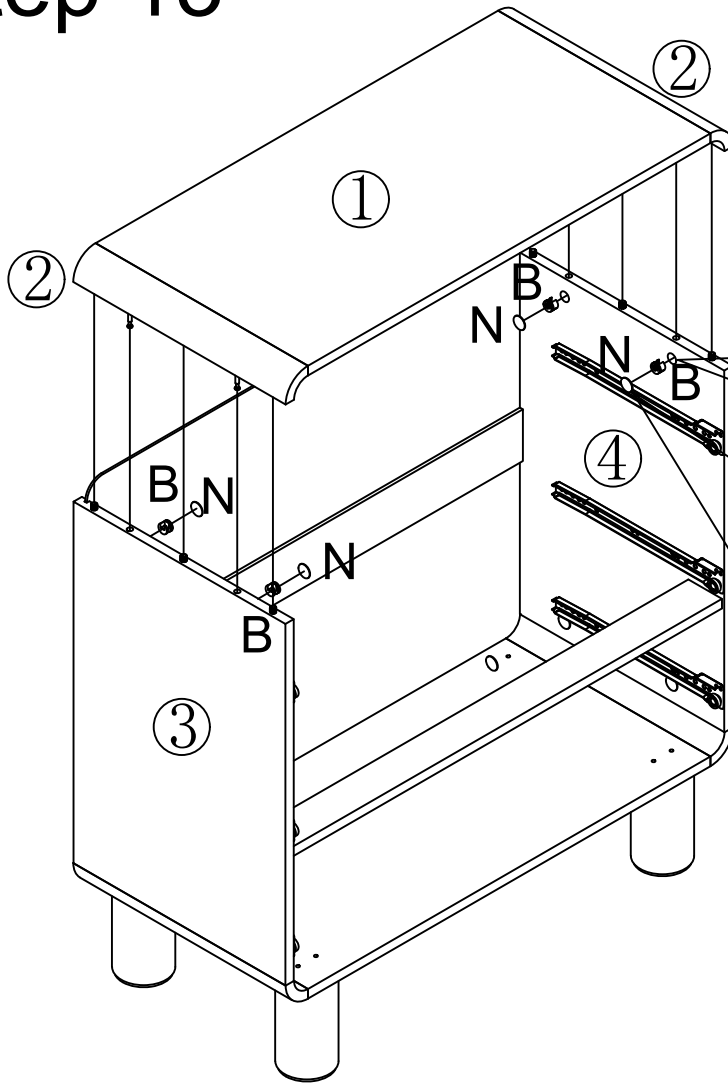




# Step 12

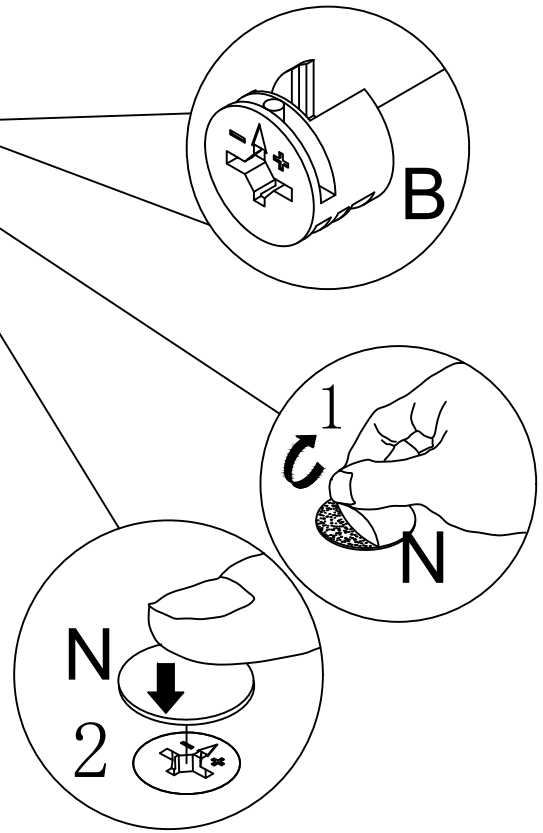
F	×3	M	×1
			



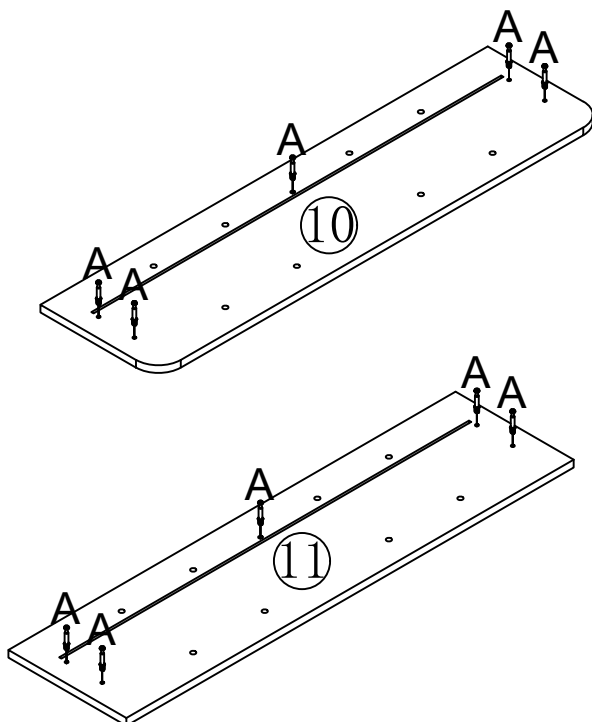
# Step 13

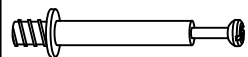


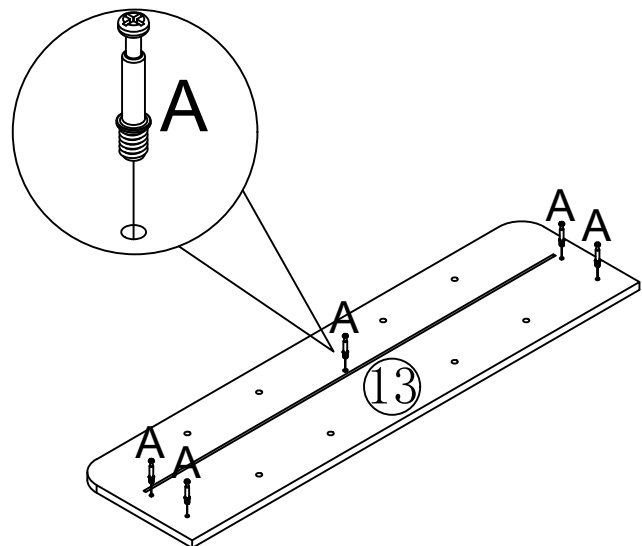
B	×4	N	×4
			



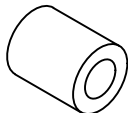


# Step 14

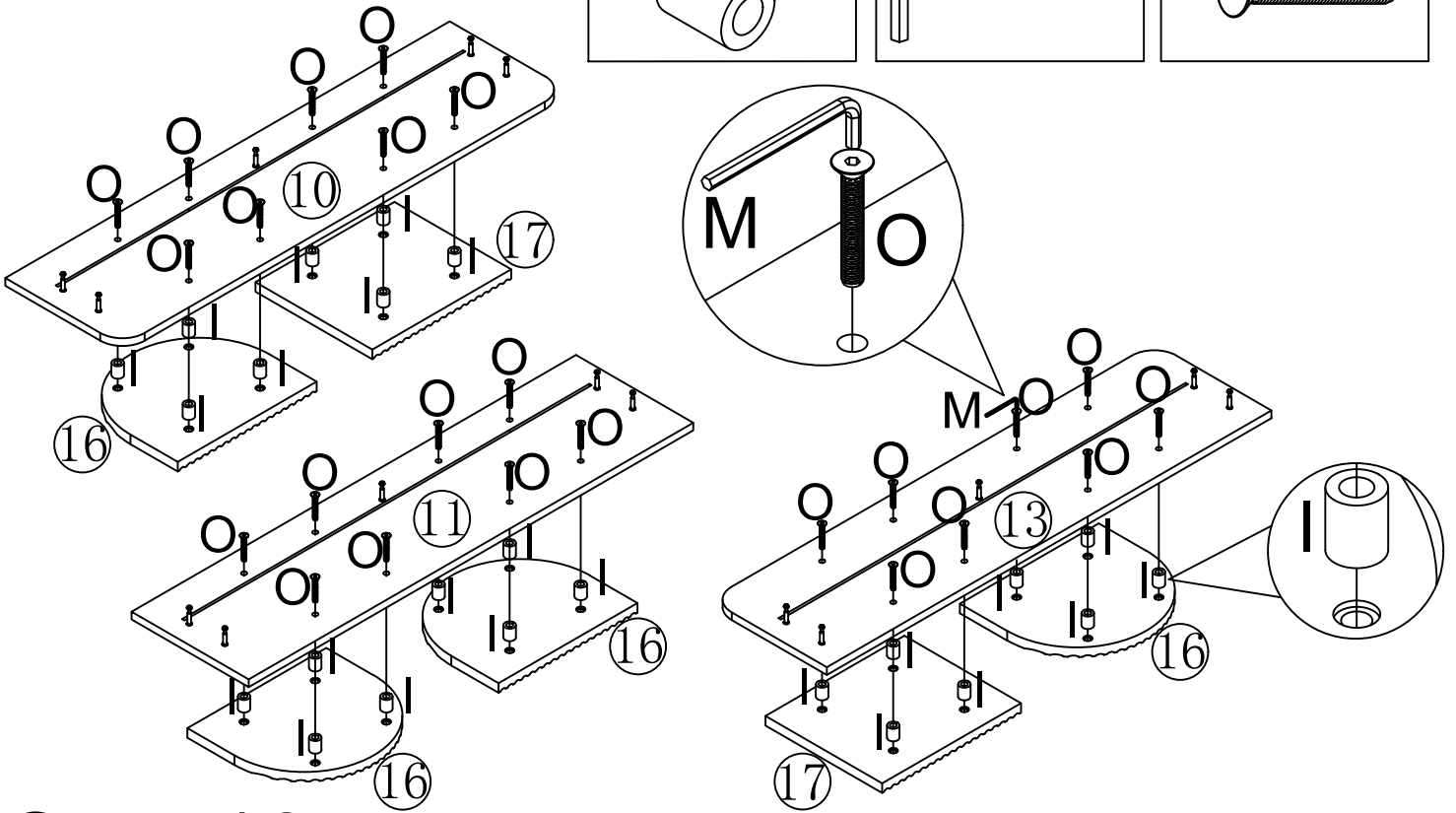


A	×15
	





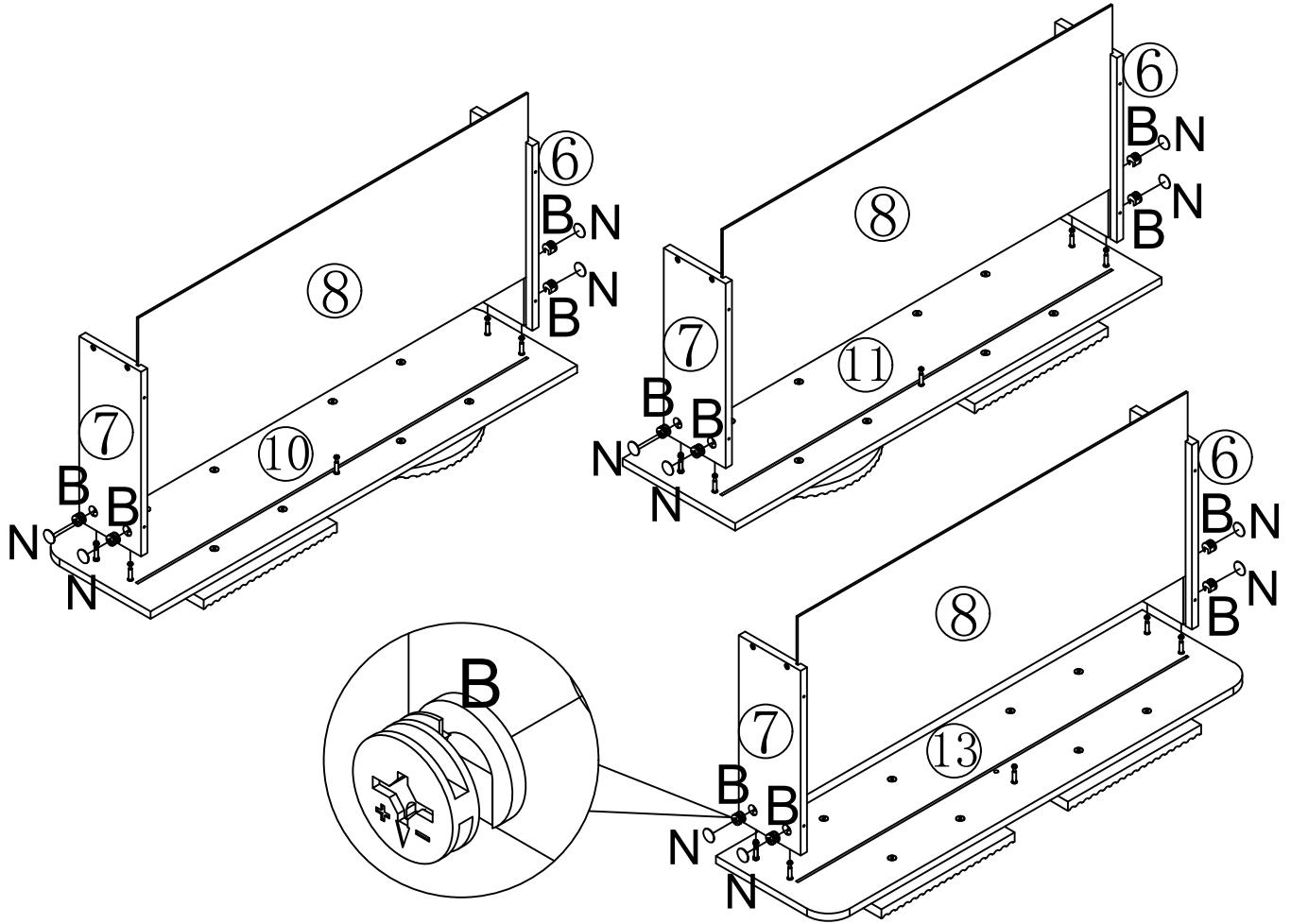
# Step 15

I	×24	M	×1	O	×24
					





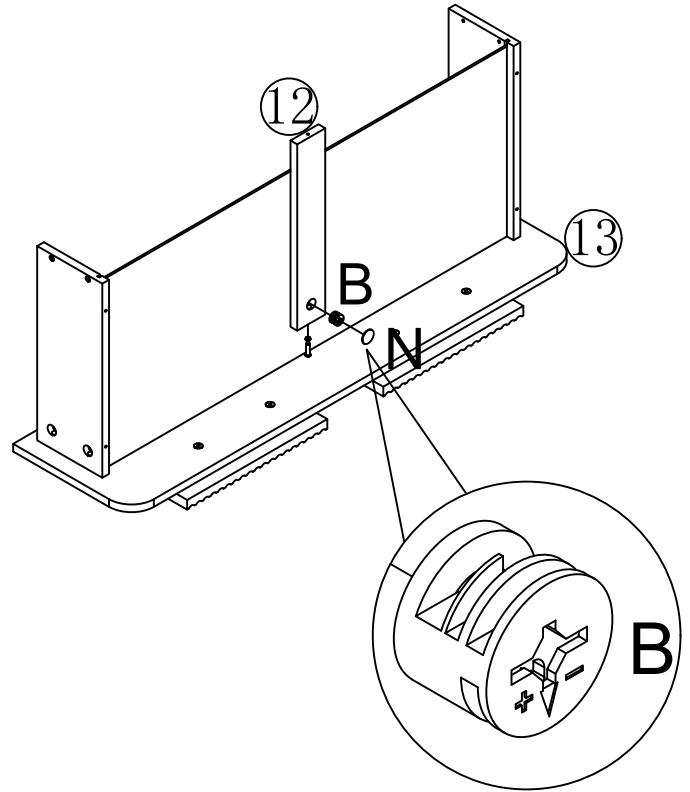
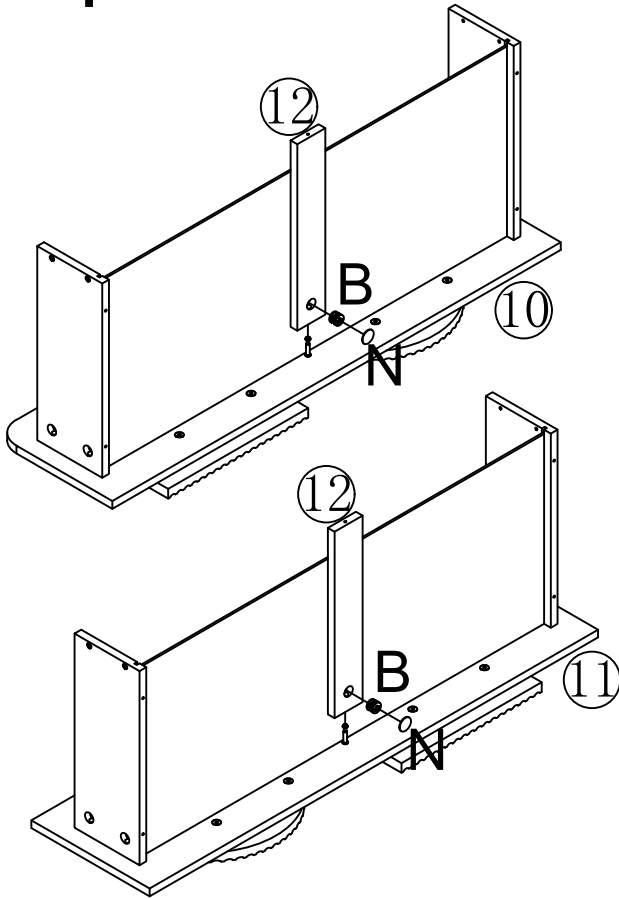
# Step 16

B	×12	N	×12
			

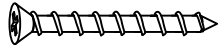


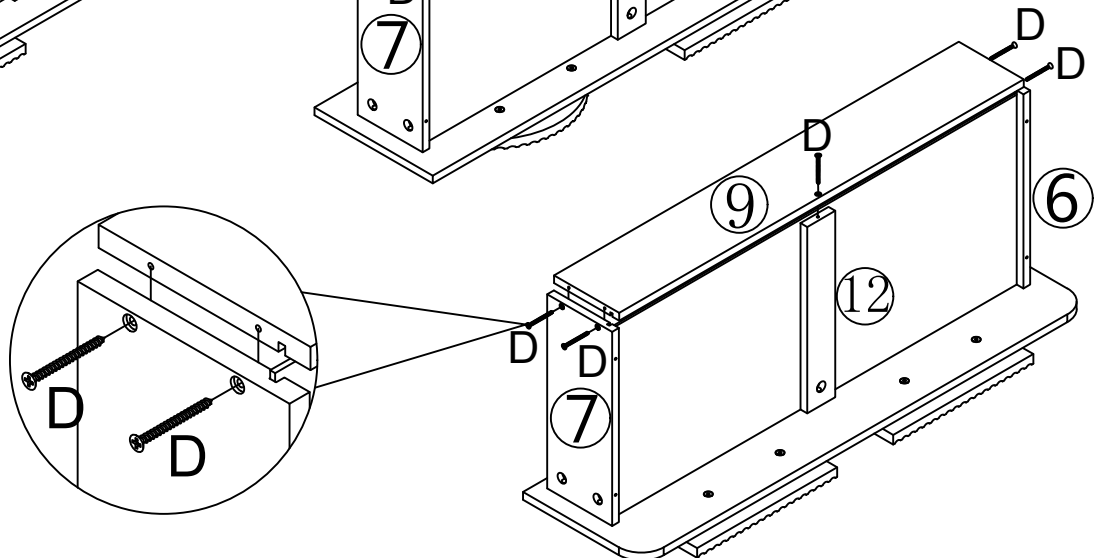
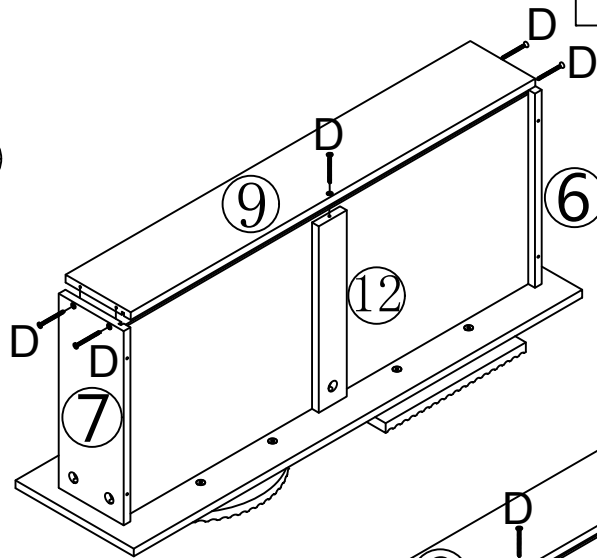
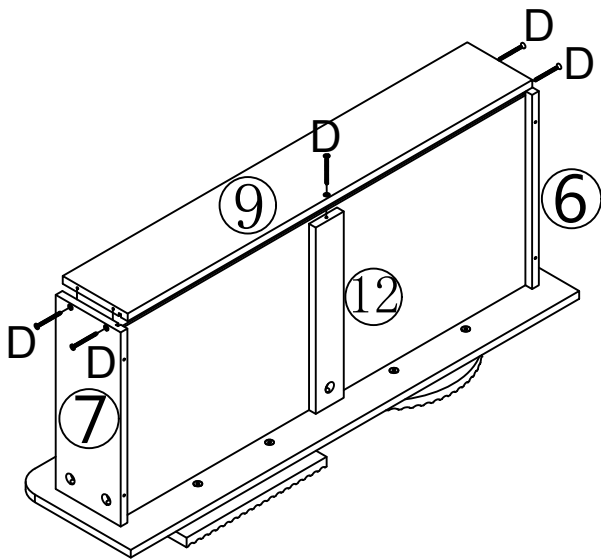
# Step 17

B	×3	N	×3
			



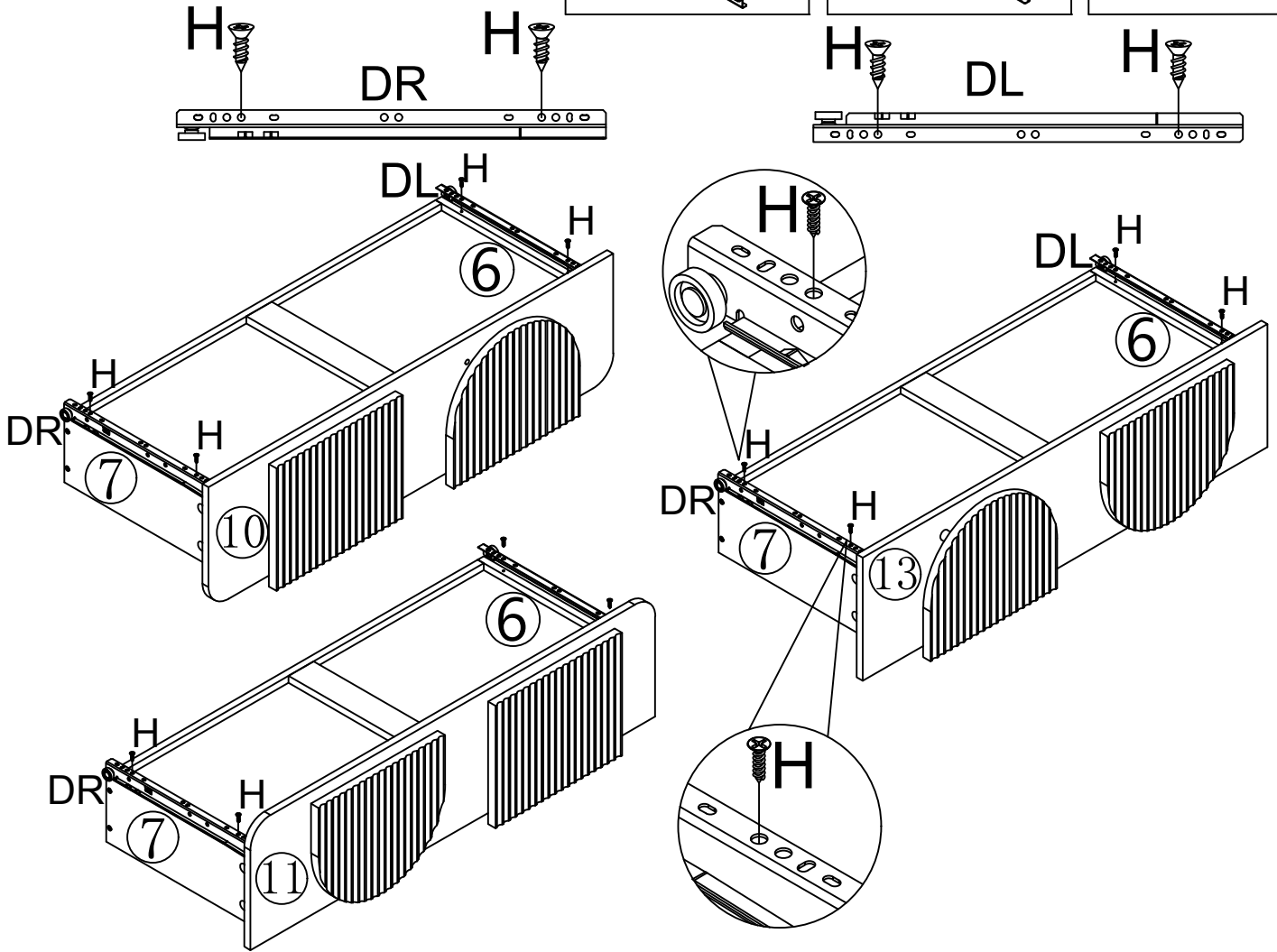
# Step 18

D	×15
	

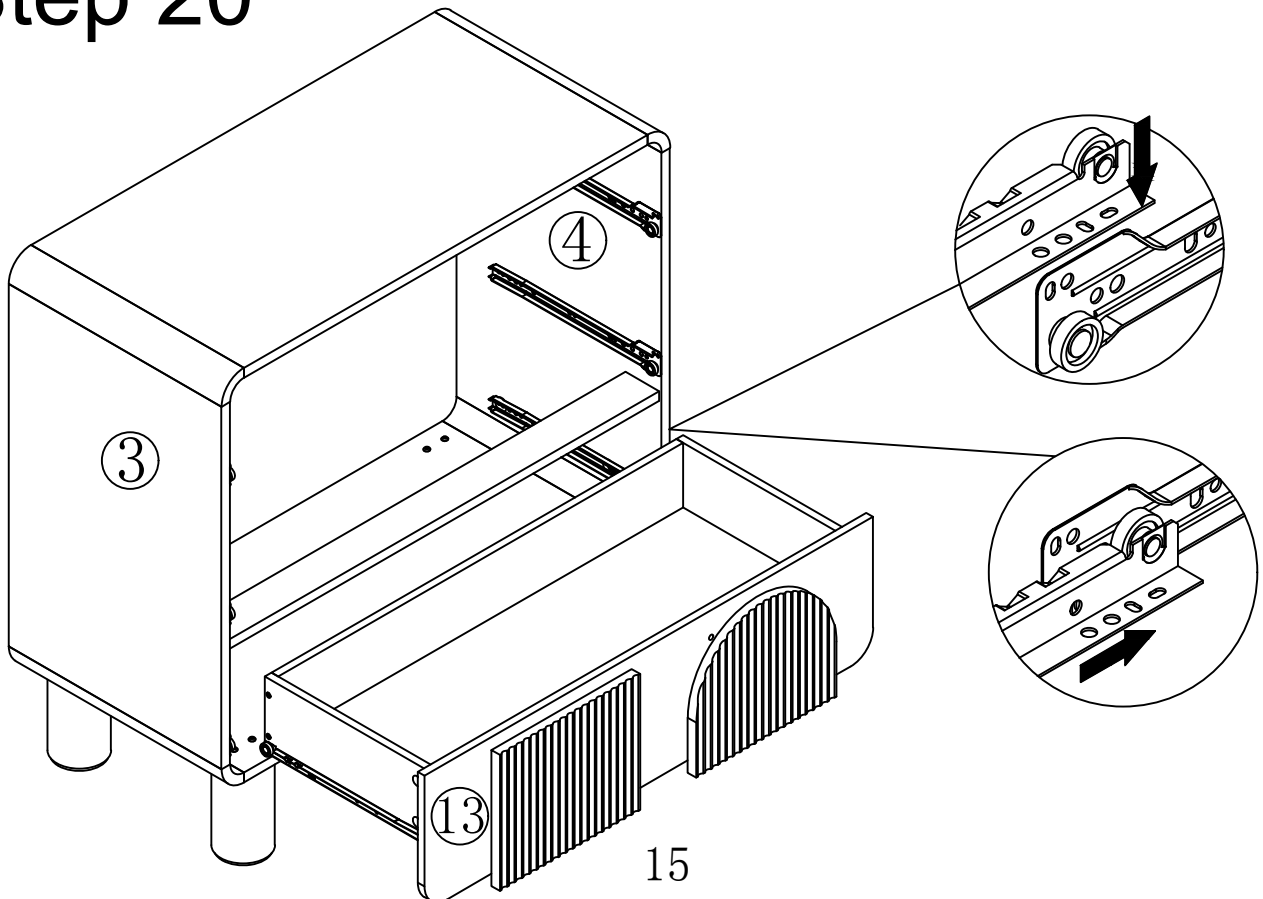


# Step 19

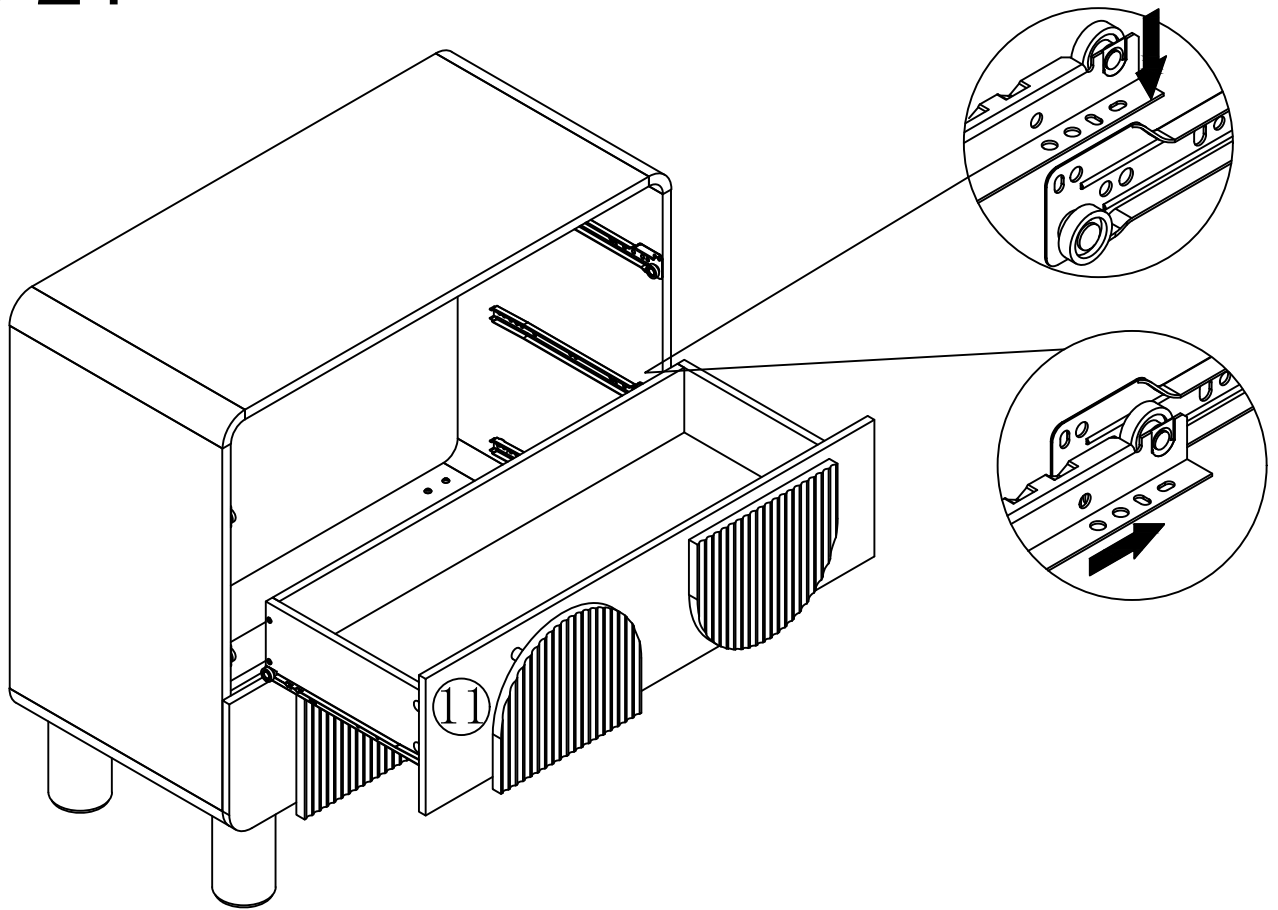
DL	×3	DR	×3	H	×12



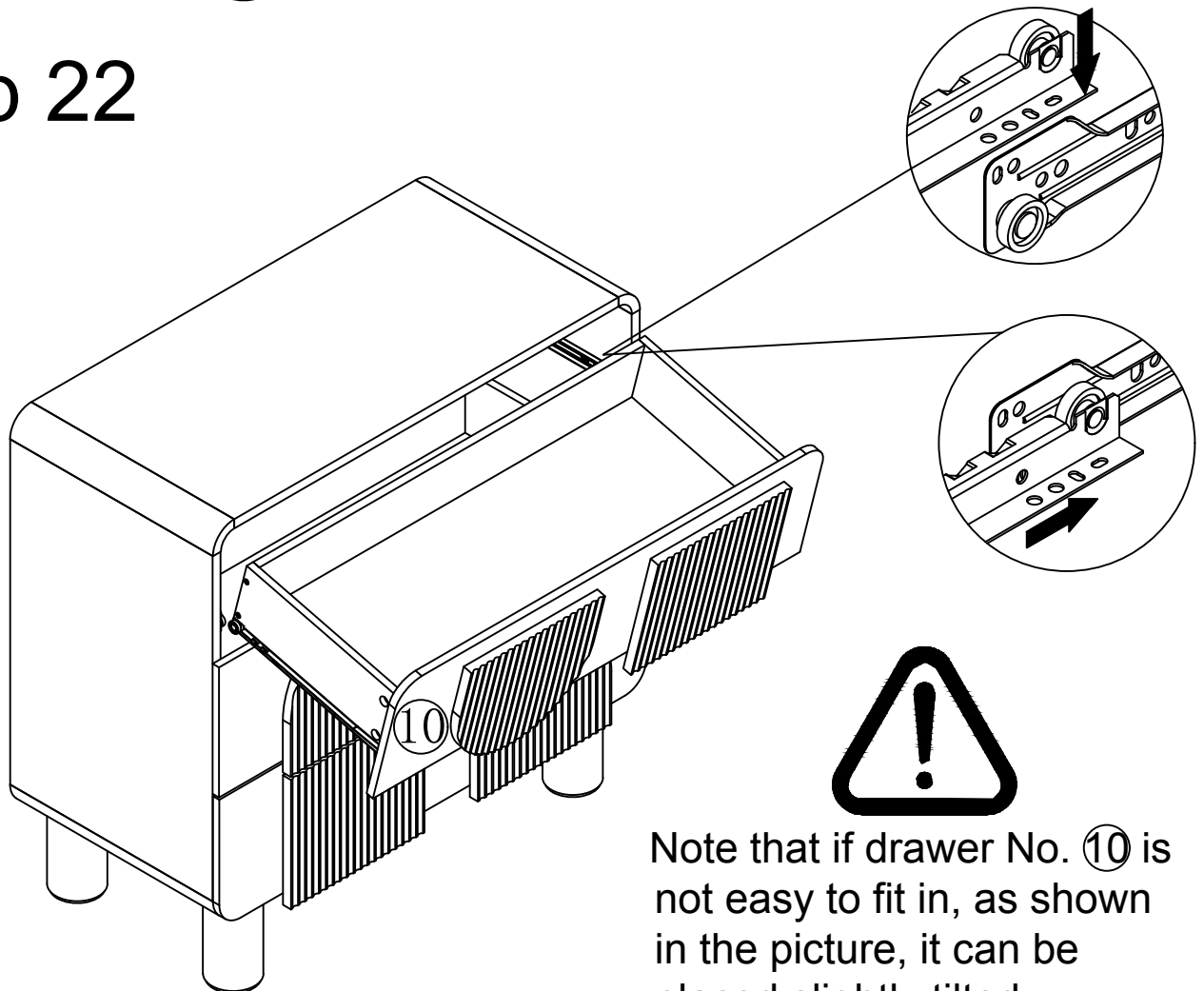
# Step 20



# Step 21

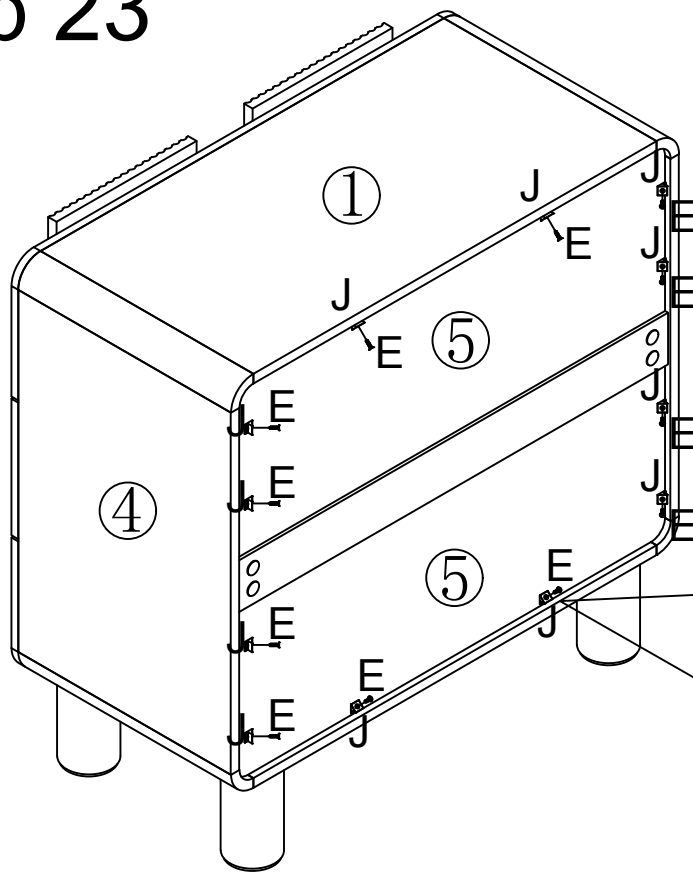


# Step 22



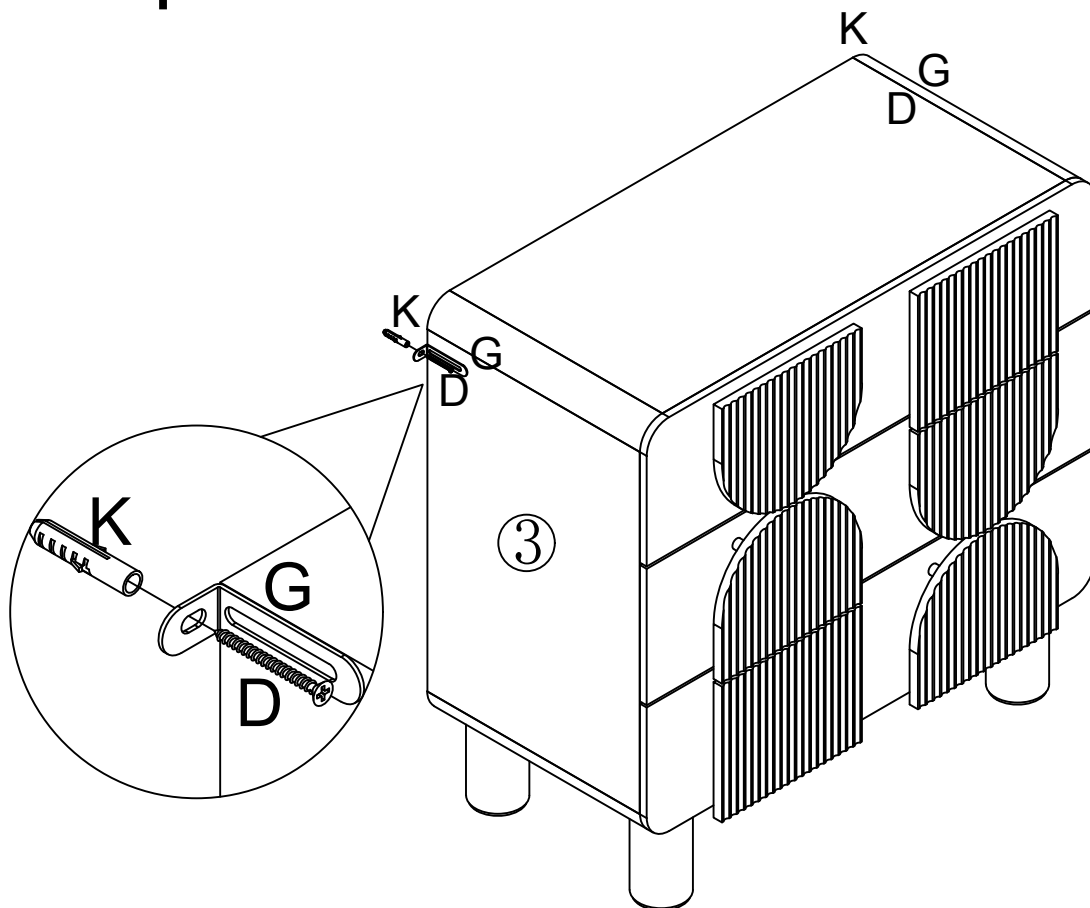
Note that if drawer No. ⑩ is not easy to fit in, as shown in the picture, it can be placed slightly tilted

# Step 23



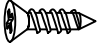
E	×12	J	×12

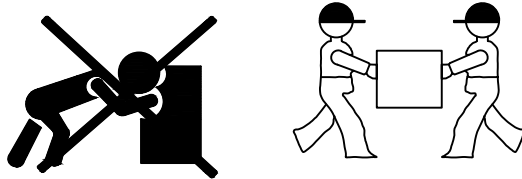
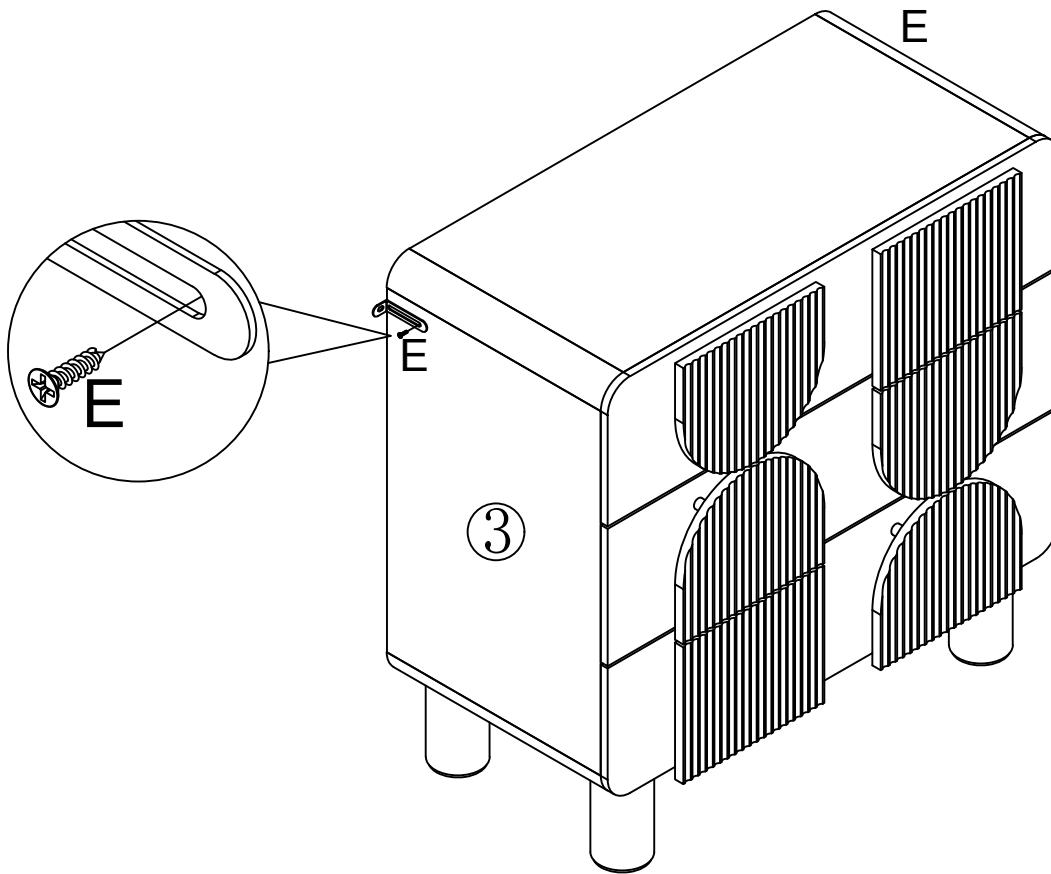
# Step 24



D	×2
G	×2
K	×2

# Step 25

E	×2
	



Two people work together to move the table.  
Make sure you lift it off the ground.  
Don't push and pull.