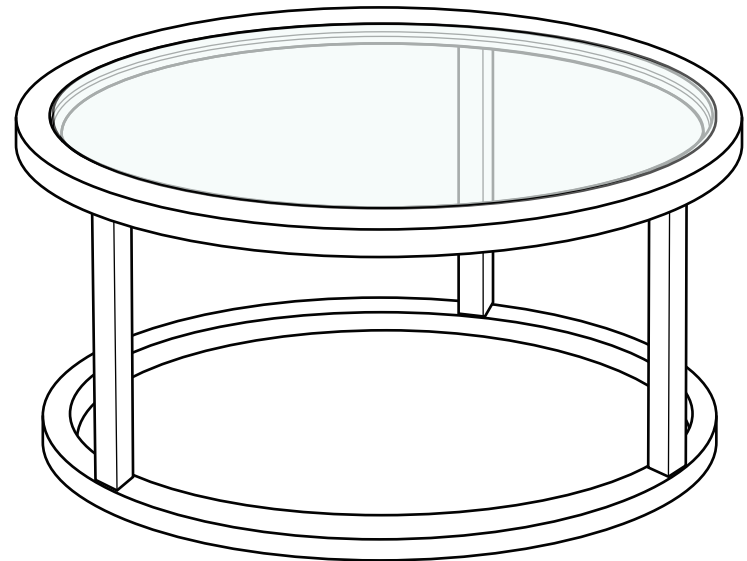


Instruction Manual

Coffee Table



CONTENTS

Safety and care advice	1
Components	2
Assembly instructions	4
Copyright	8

⚠ SAFETY AND CARE ADVICE ⚠

PLEASE READ THESE INSTRUCTIONS CAREFULLY AND KEEP FOR FUTURE REFERENCE

- **Warning:** Please lift with care.
- Check you have all the components and tools listed on pages 2 and 3.
- Remove all fittings from the plastic bags and separate them into their groups.
- Keep children and animals away from the work area, small parts could choke if swallowed.
- Make sure you have enough space to lay out the parts before starting.
- Do not stand or put weight on the product, this could cause damage.
- Assemble the item as close to its final position (in the same room) as possible.

- Assemble on a soft level surface to avoid damaging the unit or your floor (use opened out unit carton).



- We do not recommend the use of power drill/drivers **for inserting screws**, as this could damage the unit. Only use hand screwdrivers.
- Dispose of all packaging carefully and responsibly.

CARE AND MAINTENANCE

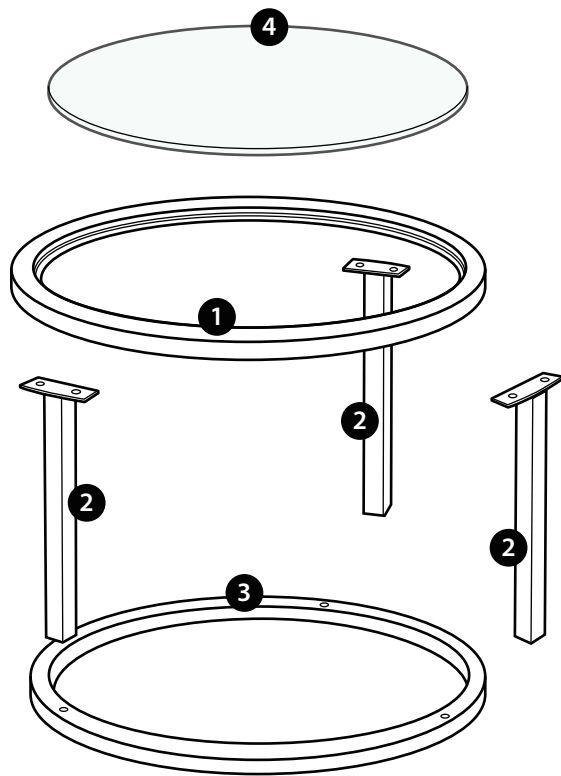
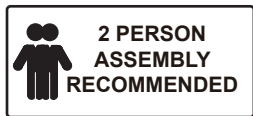
- Only clean using a damp cloth and mild detergent, do not use bleach or abrasive cleaners.
- From time to time check that there are no loose screws on this unit.

- This product should not be discarded with household waste. Take to your local authority waste disposal center.

Note *If required the next page can be cut out and used as reference throughout the assembly. Keep this page with these instructions for future reference.*

COMPONENTS

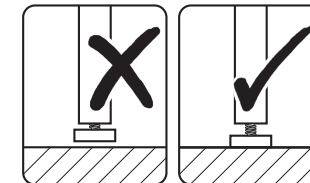
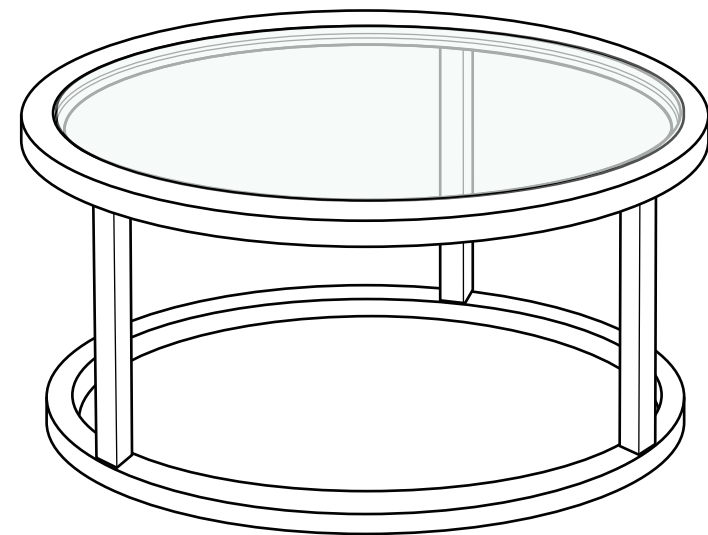
Please check you have all the panels listed below:



1 Top Frame	x1	3 Bottom Frame	x1
2 Support Rail	x3	4 Glass Top	x1

ASSEMBLY INSTRUCTIONS

Step 4



Congratulations! Now you have finished assembling the product.



ASSEMBLY INSTRUCTIONS

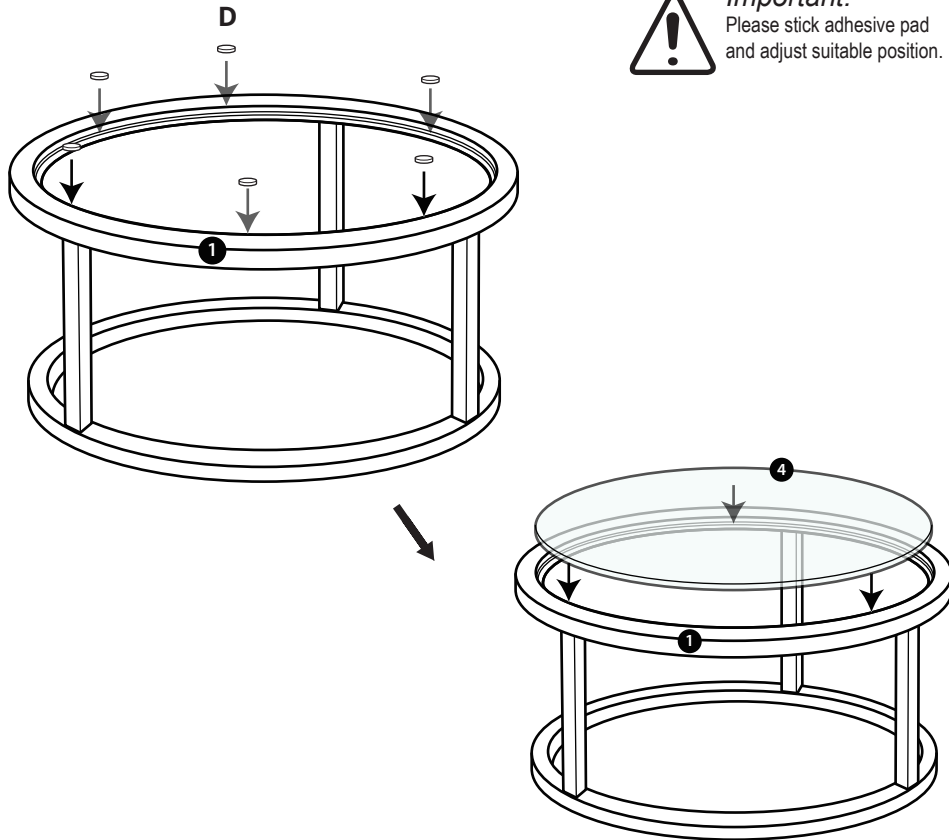
Step 3



D		6	
---	---	---	--



Important:
Please stick adhesive pad
and adjust suitable position.

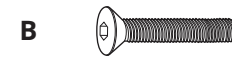


COMPONENTS

Please check you have all the fittings listed below:



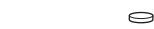
Bolt (Ø6x15mm) x 6



Bolt (Ø6x45mm) x 3



Allen key x 1

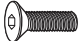



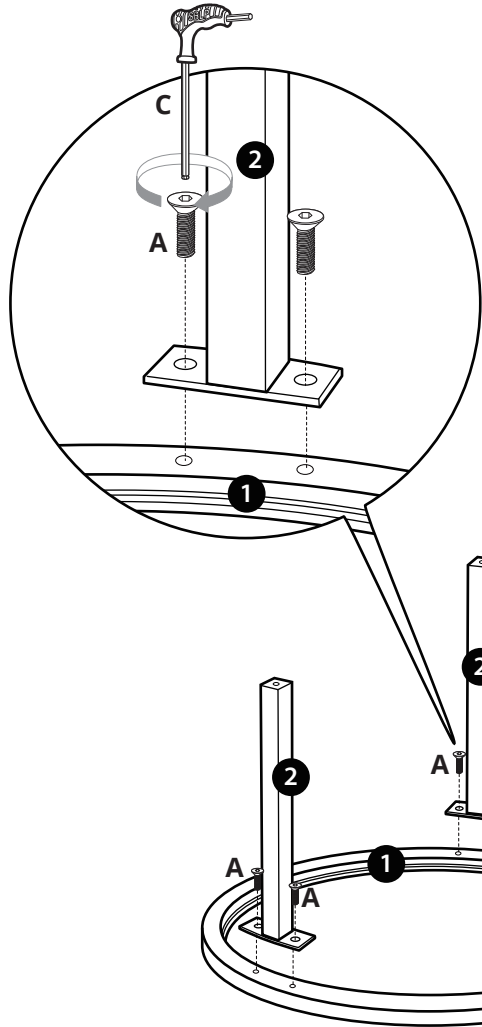
Adhesive pad x 6



ASSEMBLY INSTRUCTIONS

Step 1

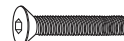

A		6	
C		1	

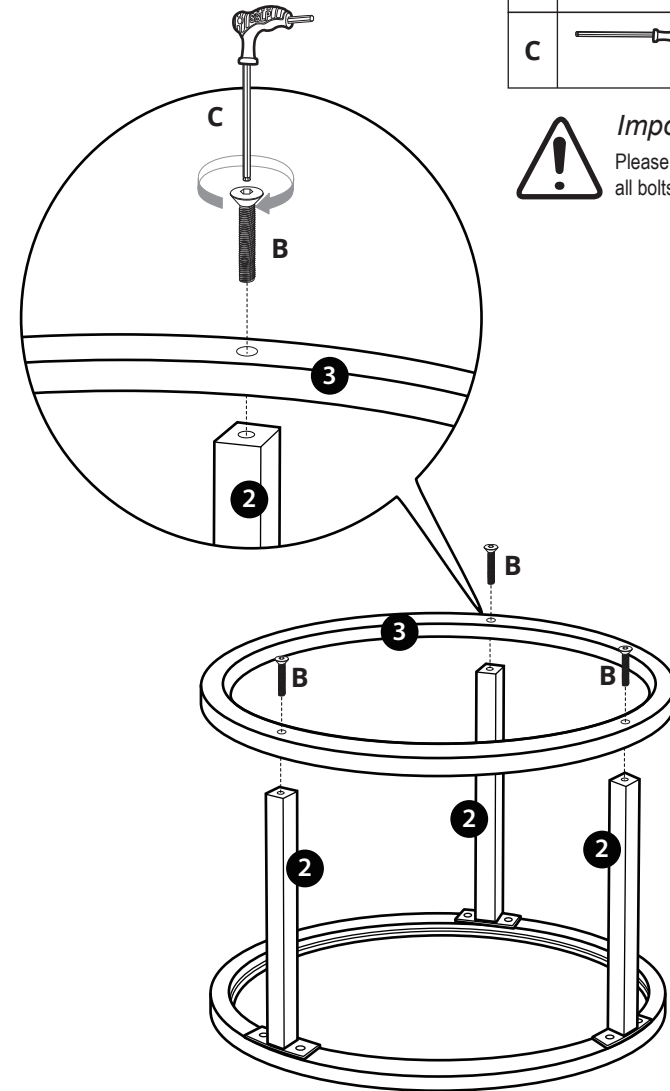


Important:
Please do not fully tighten the bolts at this stage.

ASSEMBLY INSTRUCTIONS

Step 2

B		3	
C		1	



Important:
Please fully tighten all bolts at this stage.