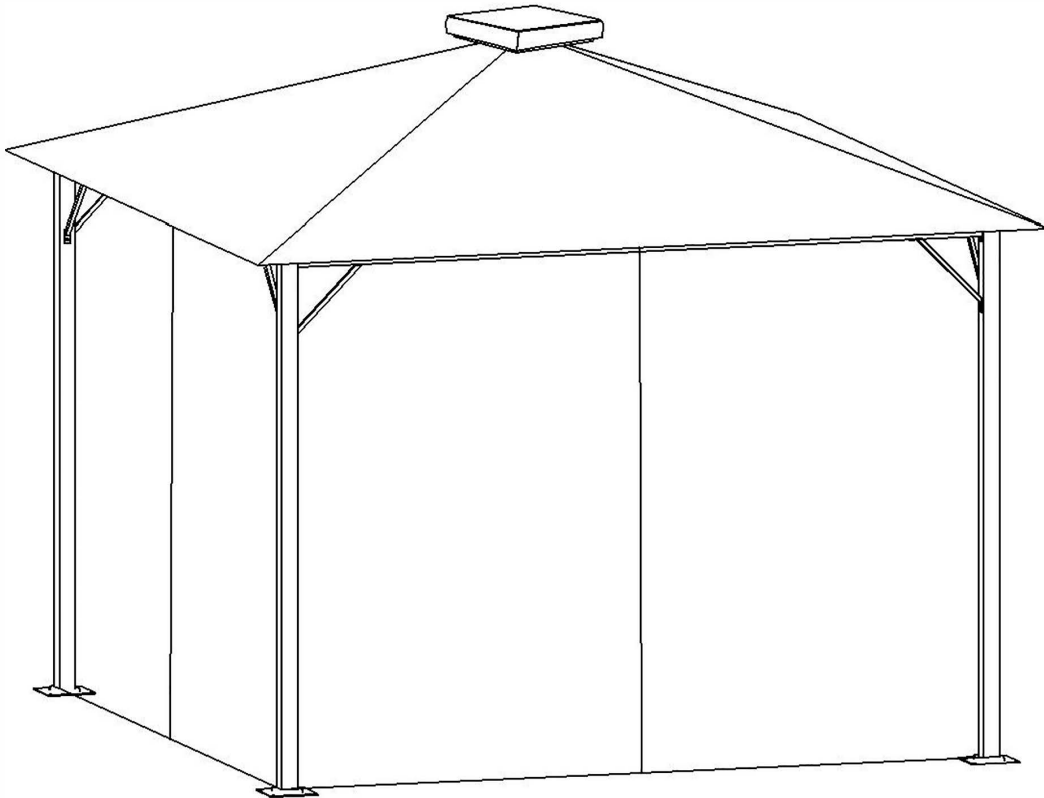


INSTRUCTION MANUAL

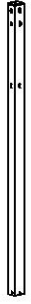
3x3m Solar LED Gazebo With Curtain

Only use in appropriate weather conditions. In the case of gusts of the wind, storm, hail or when such conditions are forecasted, it must be dismantled.



Important Note:

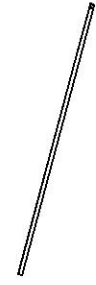
- 1. If the light does not work, it is most likely that the battery is very low. Please leave it in the sun for 4 hours or charge it with USB.**
- 2.If The remote control doesn't work, maybe the battery is dead, please change the battery in time.**



A*4



B*8



C*3



D*4



E*1



F*4



G*8



H*4



I*1



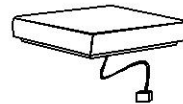
J*8



K*4



L*4



M*1



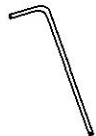
N*1



O*1



P*1



Q*12



R*4



T*4



M6*15*84

M6*30*8



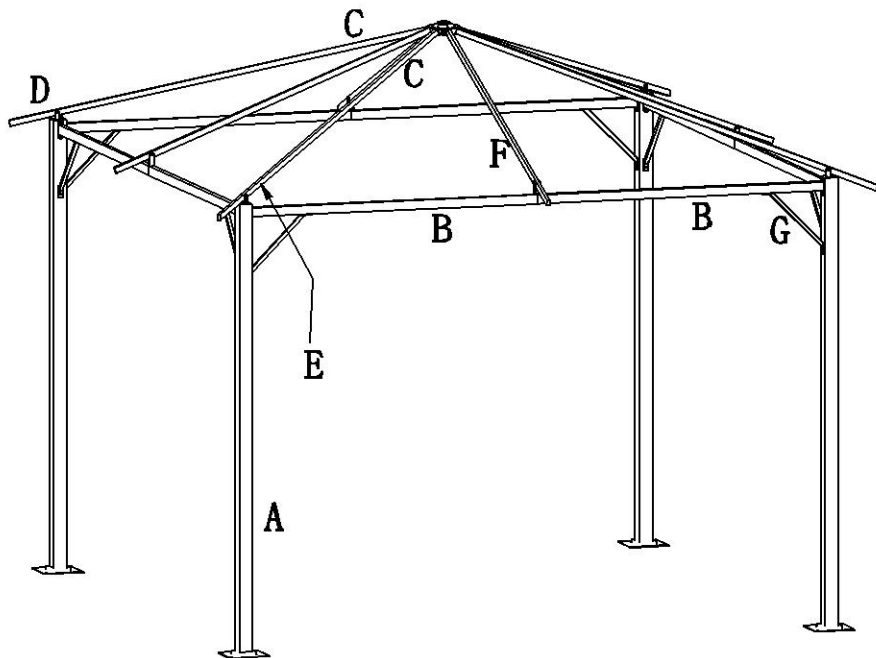
M6*8



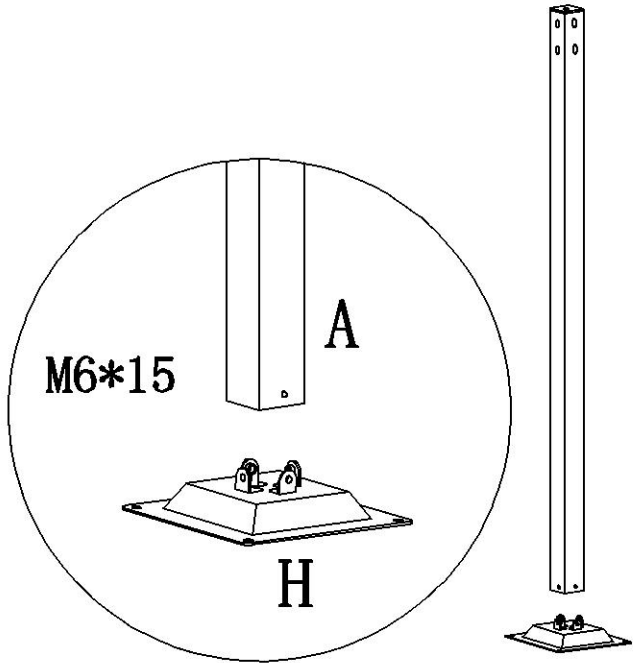
M5*35*8



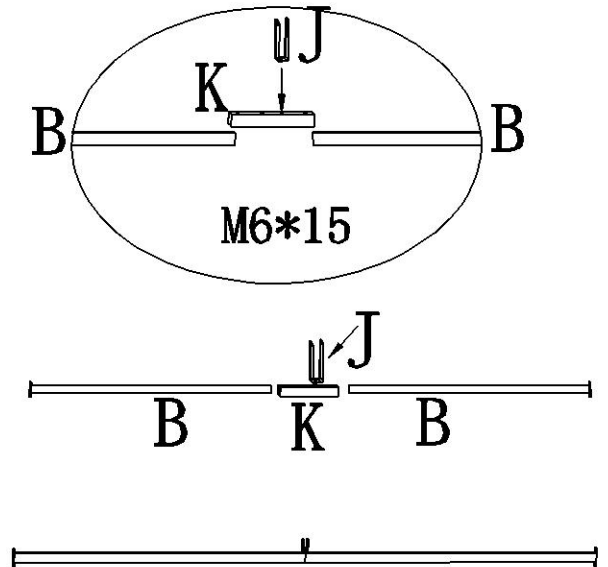
M5*8



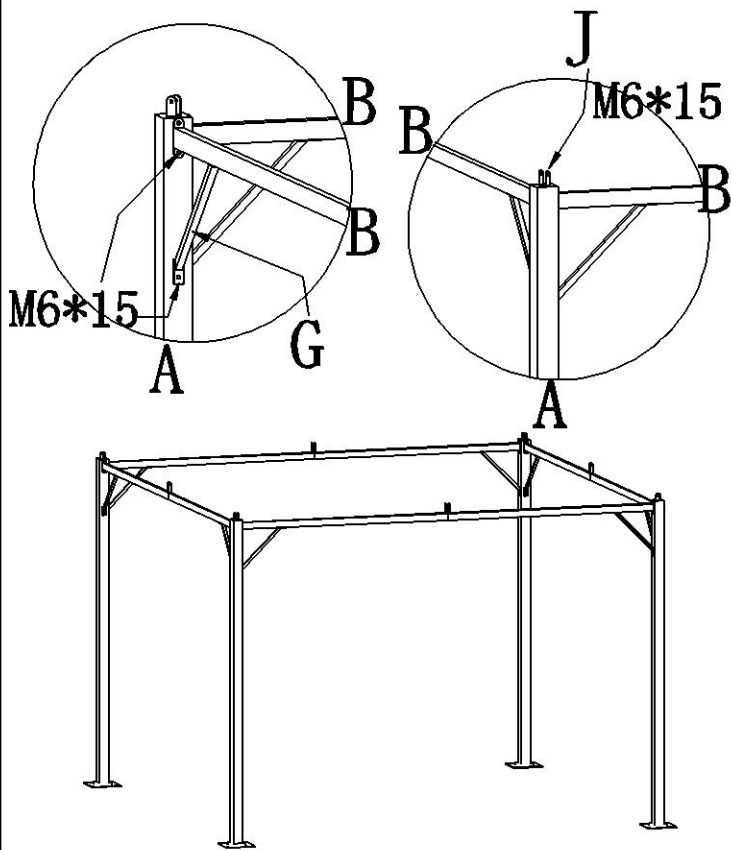
1



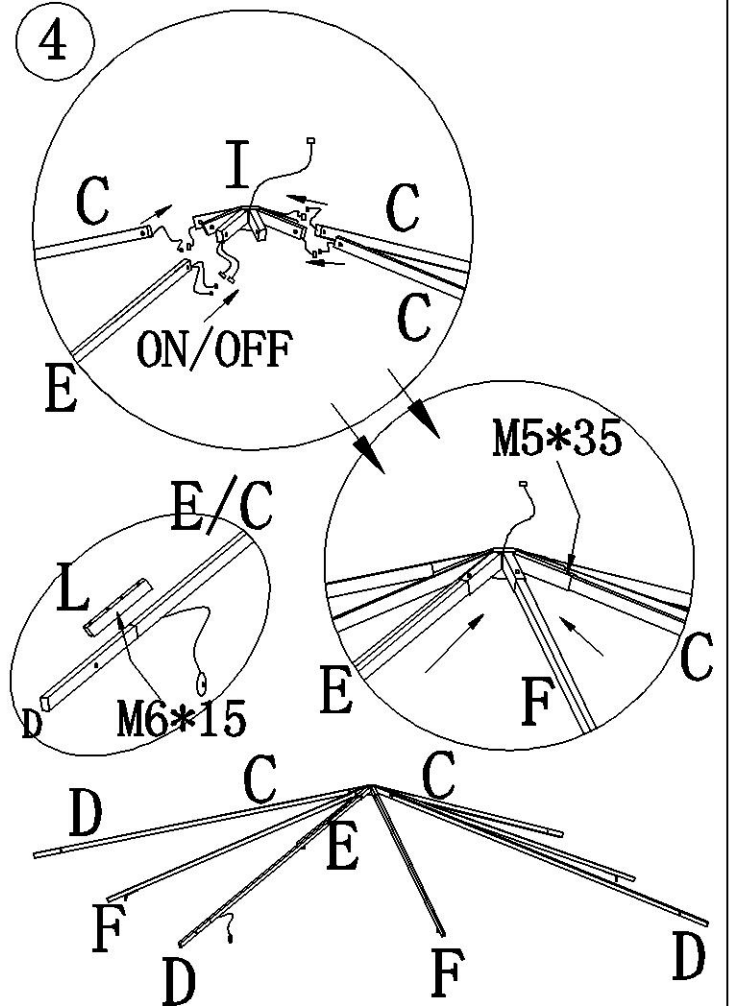
2



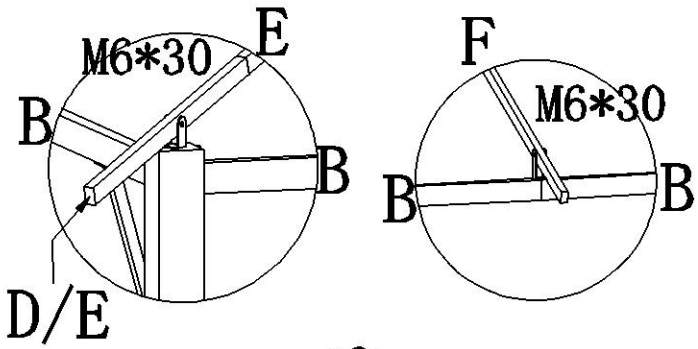
3



4

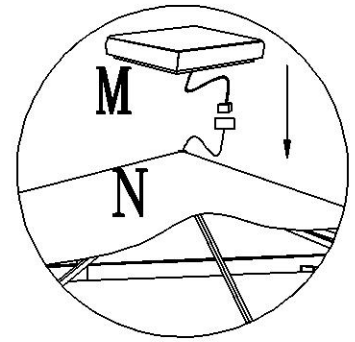


5

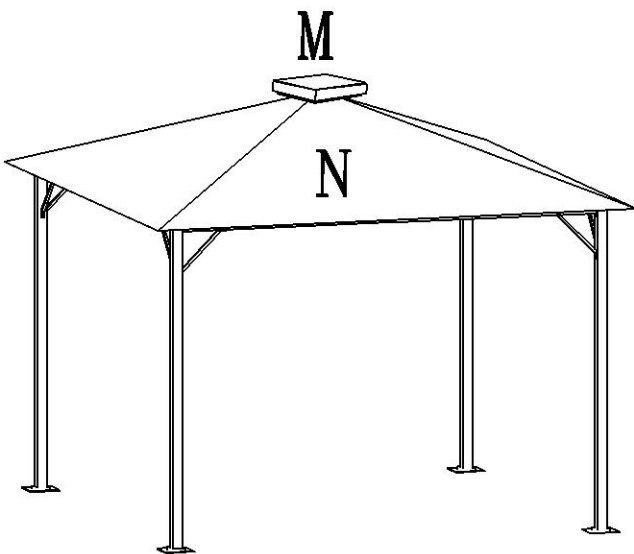


6

Insert the wire into the solar panel, then align it and rotate it gently.



7



8

