

**15" PAULE RECTANGULAR
STAINLESS STEEL PREP SINK**

Cat. No
PSSSB2054-SS



W: 15"
D: 20"
H: 10"

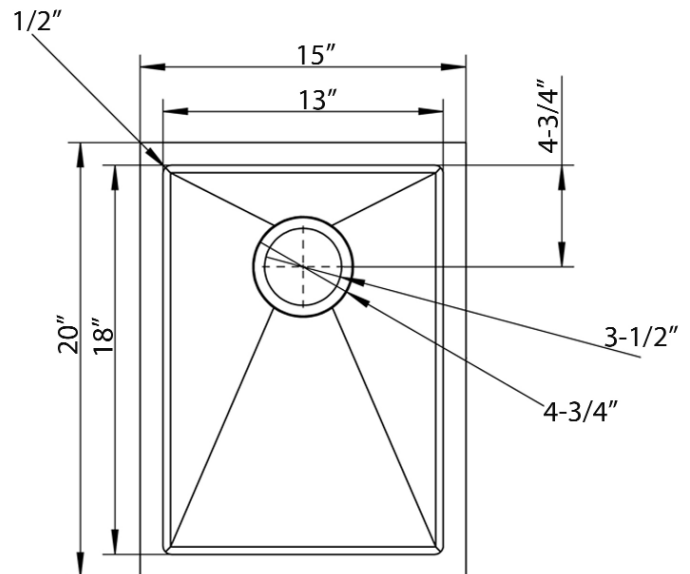
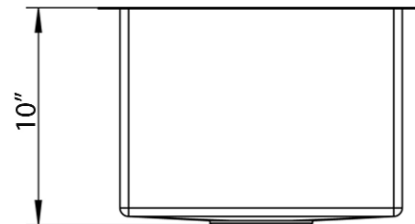
***Please do NOT cut hole without
template or actual product.**

Interior Dimensions:

Basin Interior: 13" W x 18" D
Basin Depth: 9-1/2"

Features:

- ▶ Solid 16 gauge, 304 grade metal construction
- ▶ Narrow space saving design
- ▶ Matte finish
- ▶ Coated for sound insulation
- ▶ Mounting clips and template included
- ▶ Lip is 1-1/16" wide
- ▶ Drain is 3-1/2"
- ▶ Drain sold separately
- ▶ Wire grid available to purchase separately,
PSSSB2054-Wire



Dimensions of fixture are nominal and may vary within the range of tolerances established by ANSI Standard A112.19.2. Dimensions and specifications subject to change without notice.