

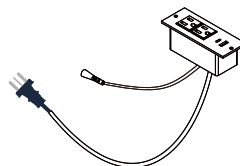
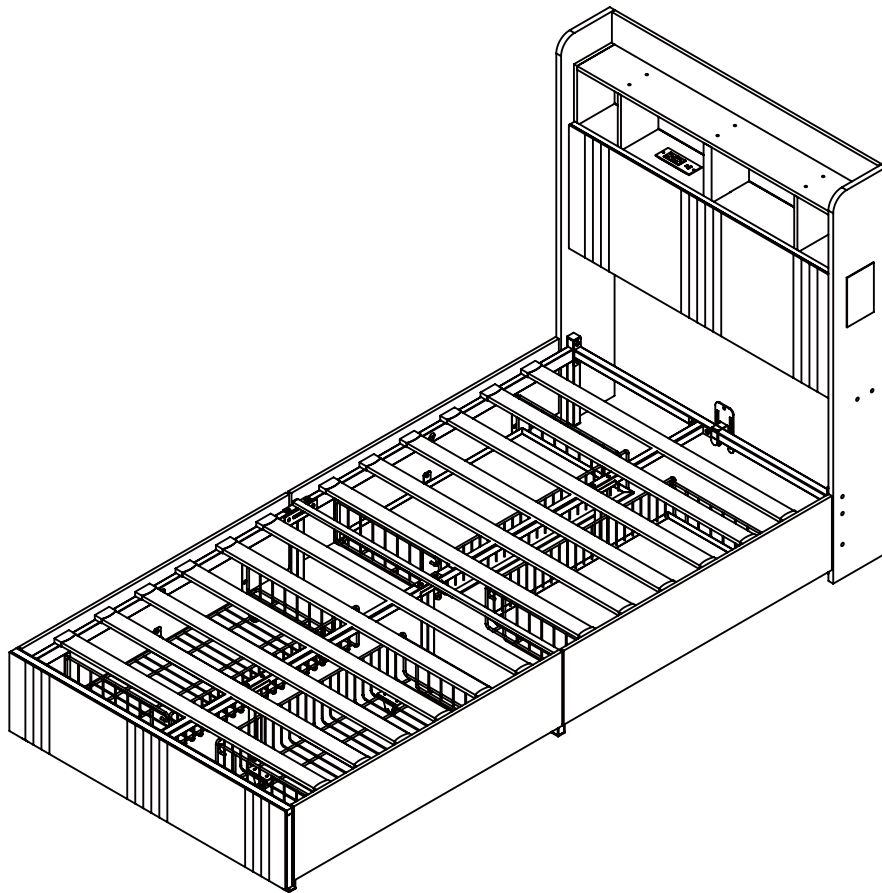
ASSEMBLY INSTRUCTIONS

DEAR CUSTOMER,

Caution:

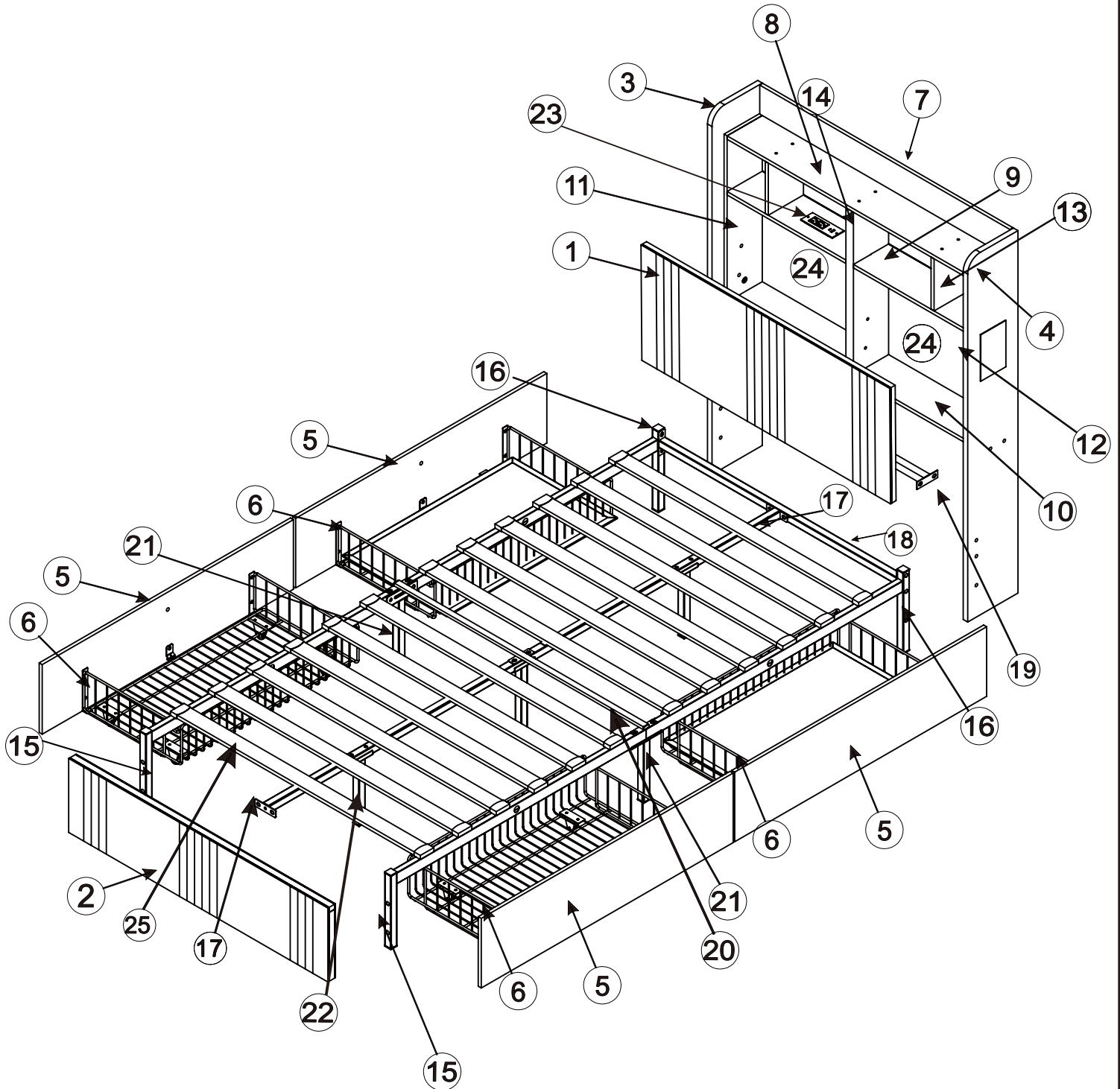
1. Please read all instructions before assembly and check the carton for any parts that may have come loose during shipment. It is recommended to use two or more persons during the assembly process.
2. Please do not discard any packaging before you have checked all the parts and fittings are included. If for any reason this product needs to be returned it must be returned packed in its original packaging.
3. Assemble this product on a flat and clean surface to avoid scratching.

HU9431



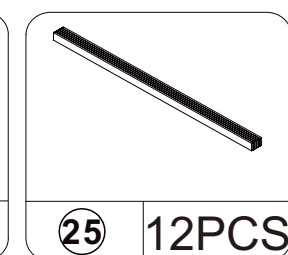
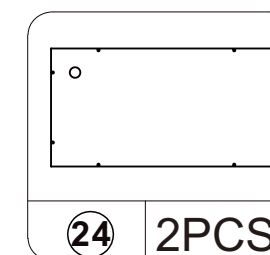
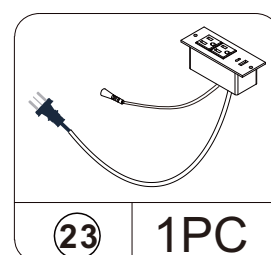
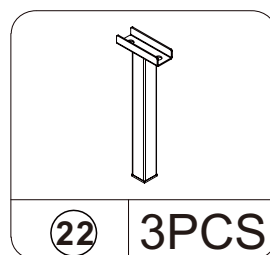
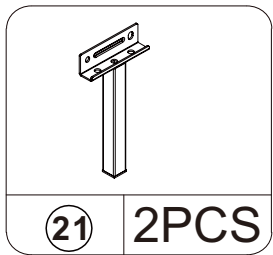
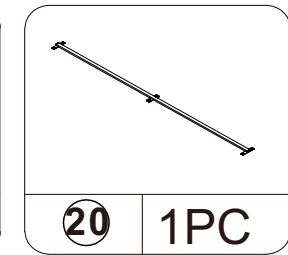
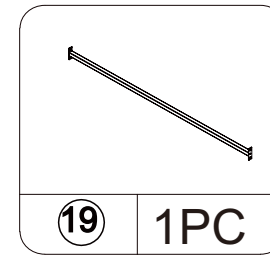
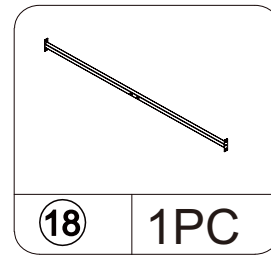
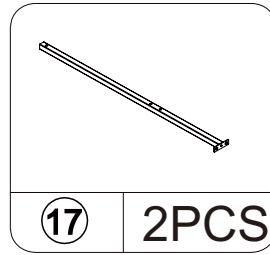
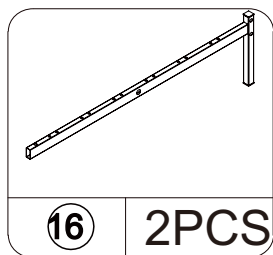
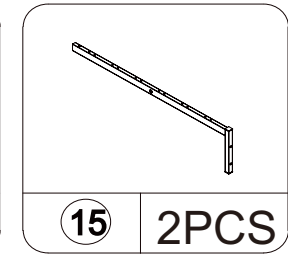
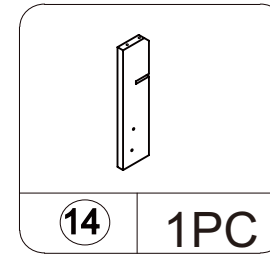
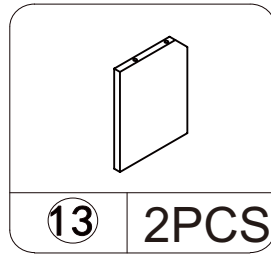
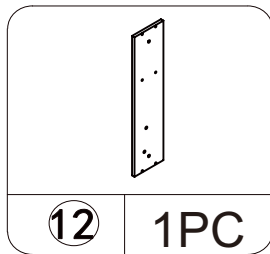
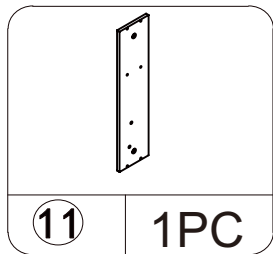
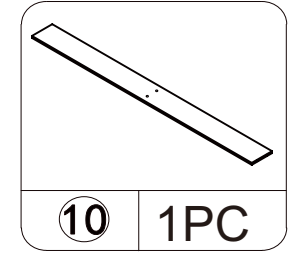
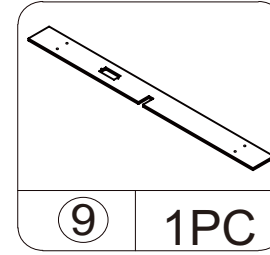
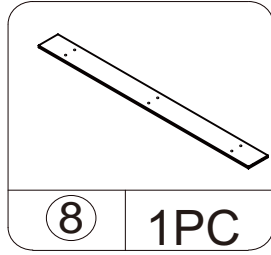
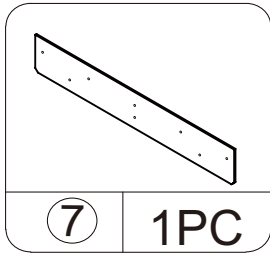
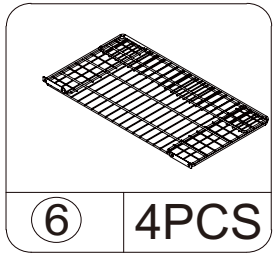
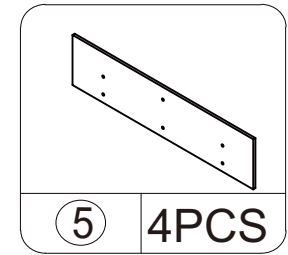
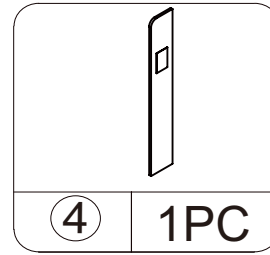
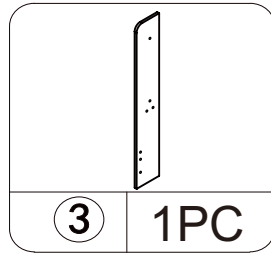
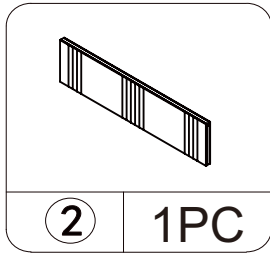
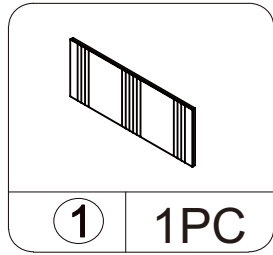
- I. Ensure that all parts and hardware are available before beginning assembly.
- II. Follow each step carefully to ensure the proper assembly of the product.
- III. Two people are recommended for ease in the assembly of this product.

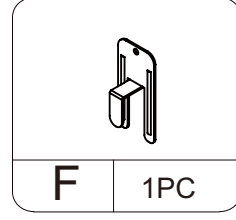
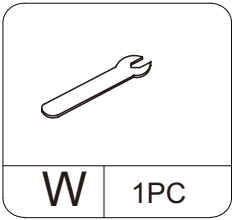
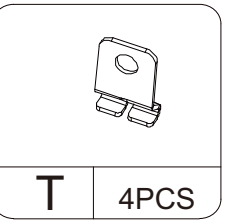
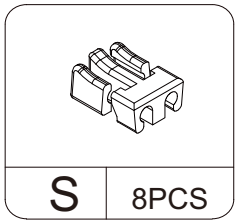
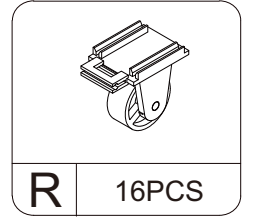
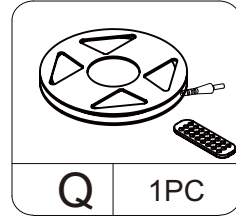
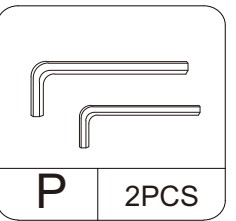
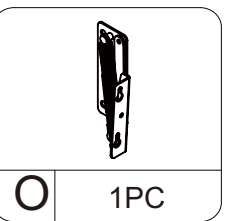
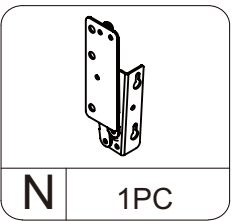
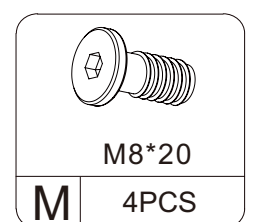
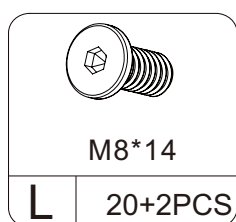
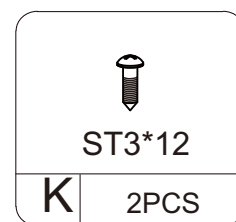
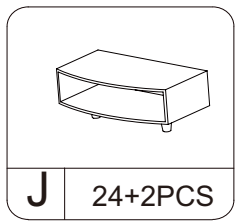
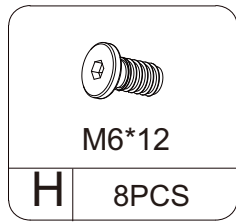
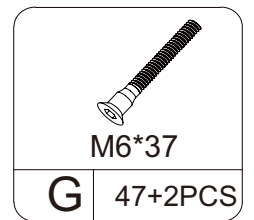
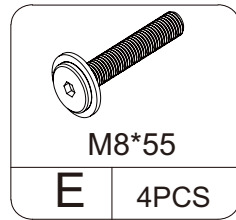
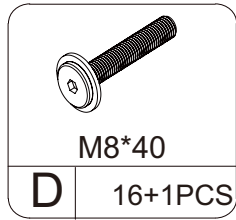
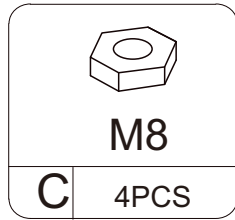
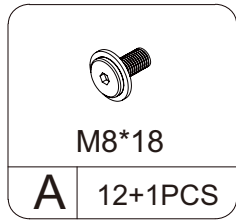
GENERAL ASSEMBLY GUIDELINES



Hardware List

 **Pls make sure all the accessories are complete!**

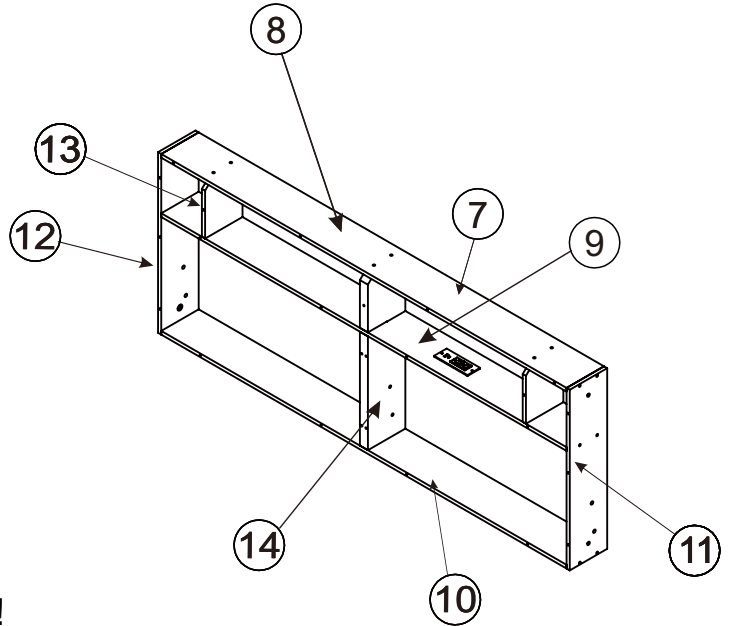
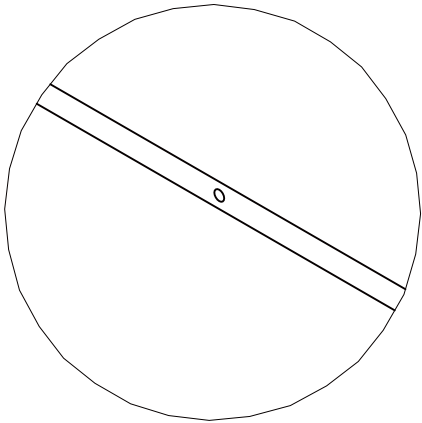




You can choose mobile control or RF Remote Control
pull out the plastic card on the RF Remote Controller and power on the RF Remote Controller.

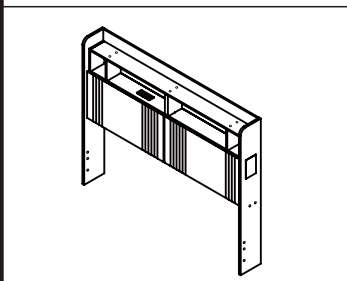
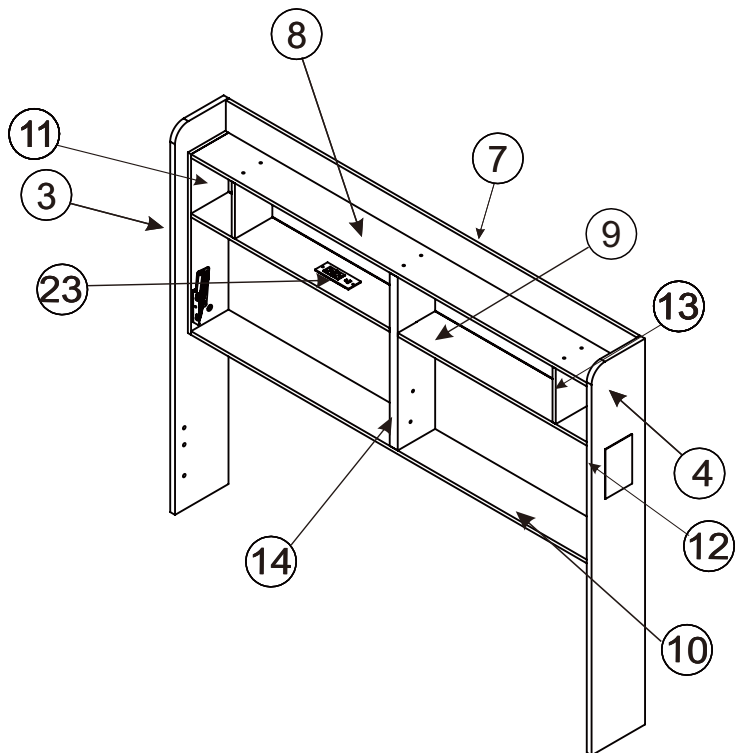
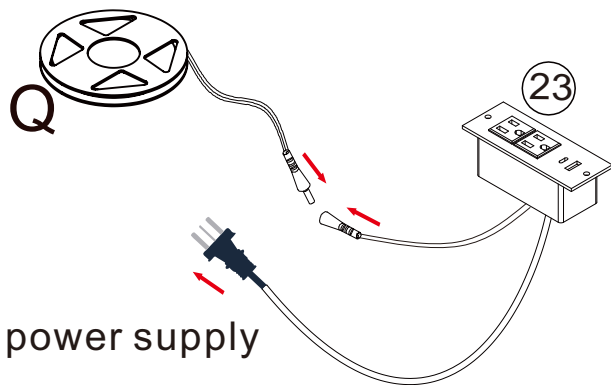
Mobile phone control steps:

1. Connect LED Lamp and RF RGB Controller.
2. Plug in the Adaptor Power supply.
3. Scan the RF RGB Controller QR code on the controller and download the software HappyLighting.
4. Turn on the Bluetooth function of the mobile phone and search for Bluetooth pairing "Trinoes".
5. Open the "Happy lighting" APP and switch colors change, etc.



Planks with holes facing backwards!

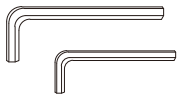
LED (Q) connected to (23)



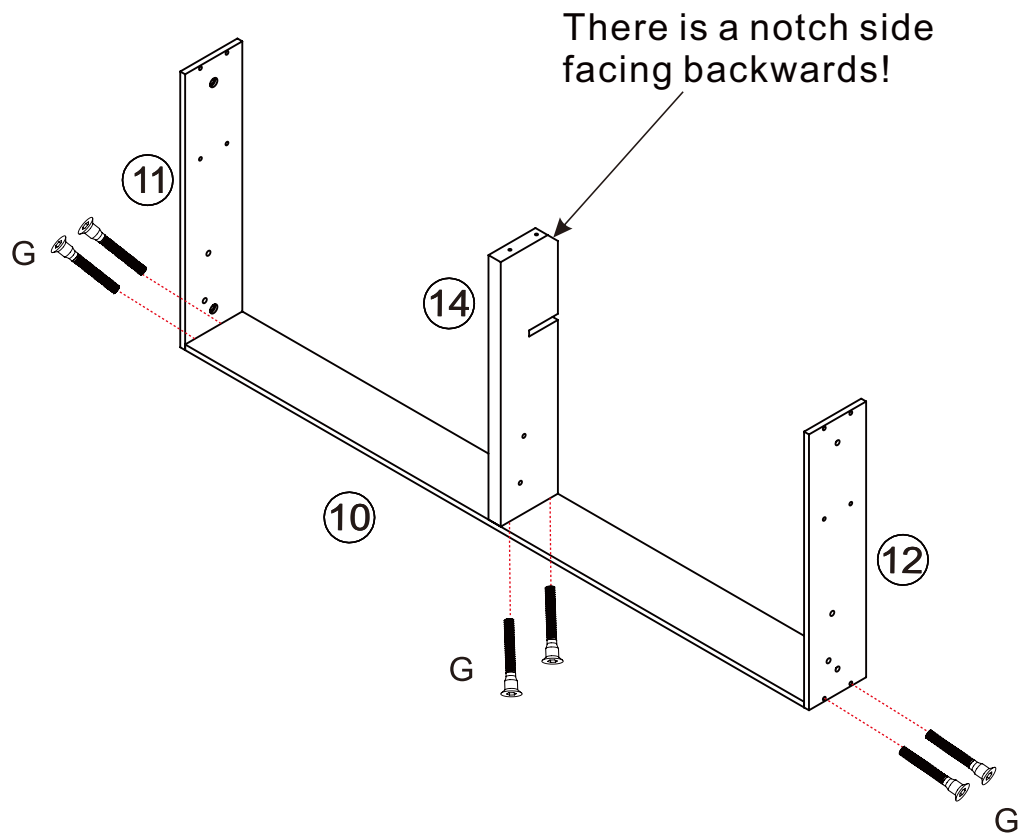


M6*37 mm

G 6PCS



P 2PCS



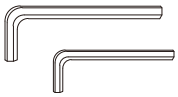
ST3*12

K 2PCS

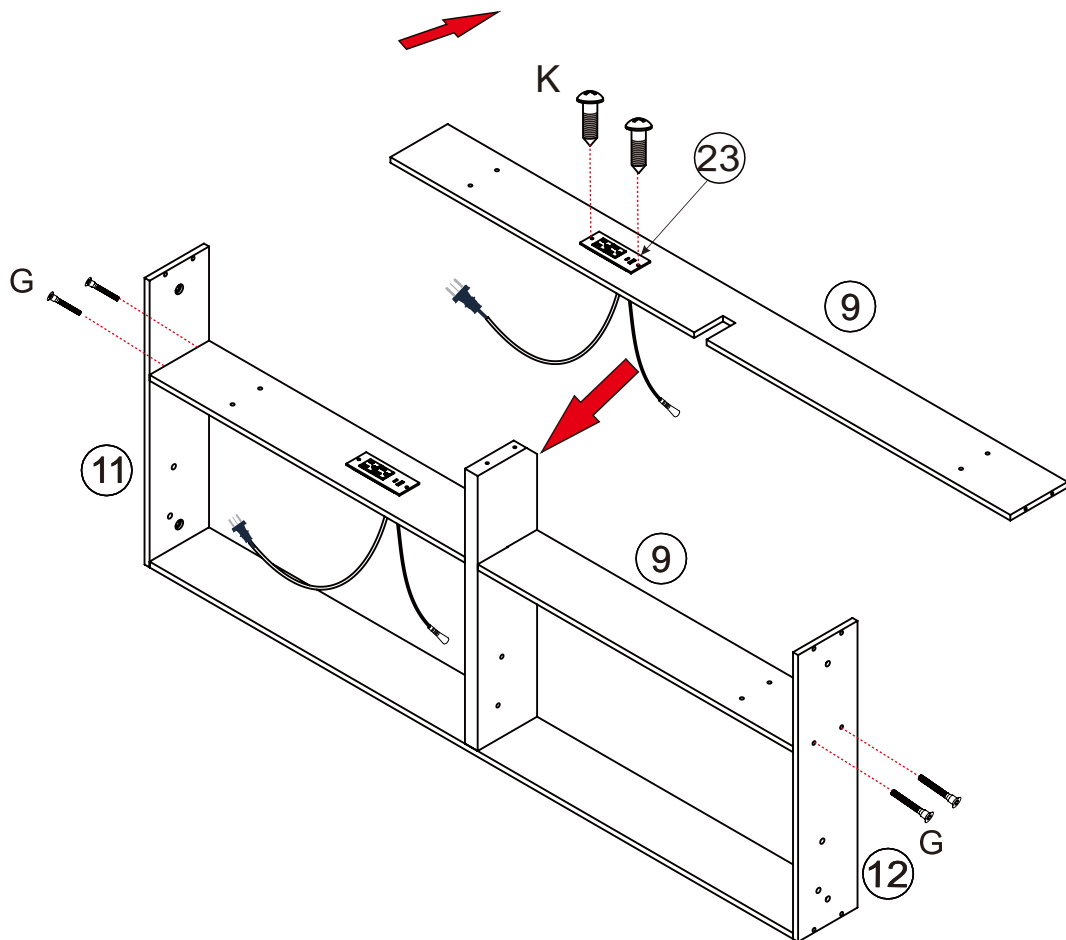


M6*37 mm

G 4PCS



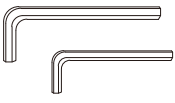
P 2PCS



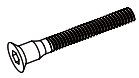
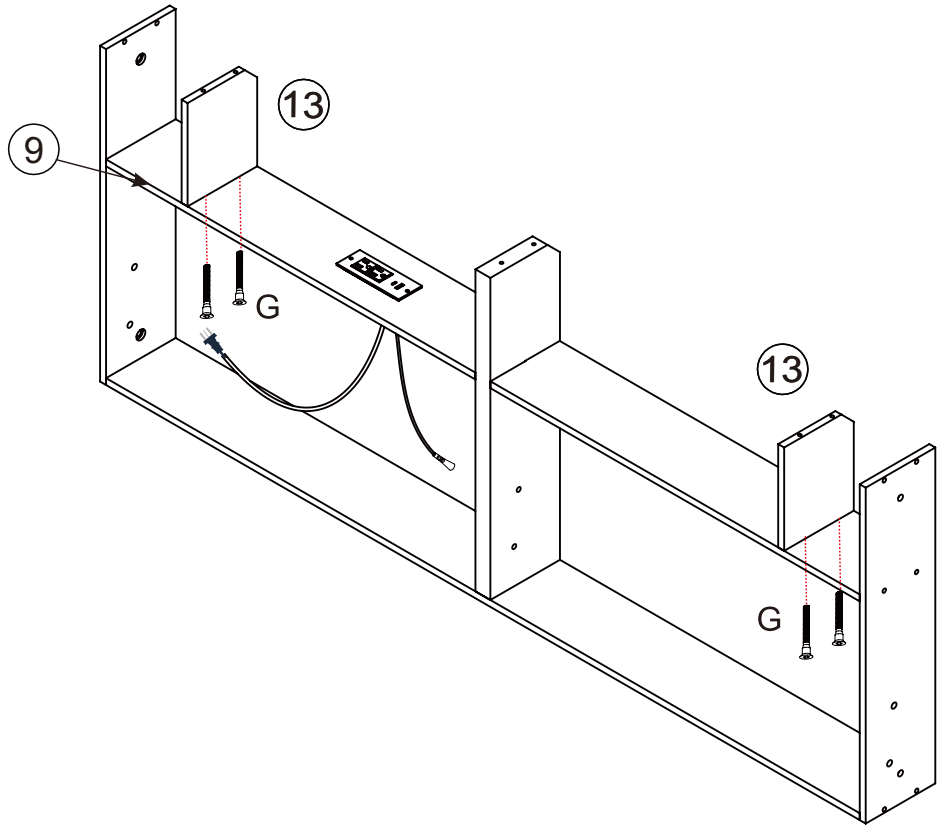


M6*37 mm

G 4PCS

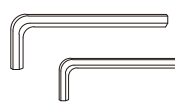


P 2PCS

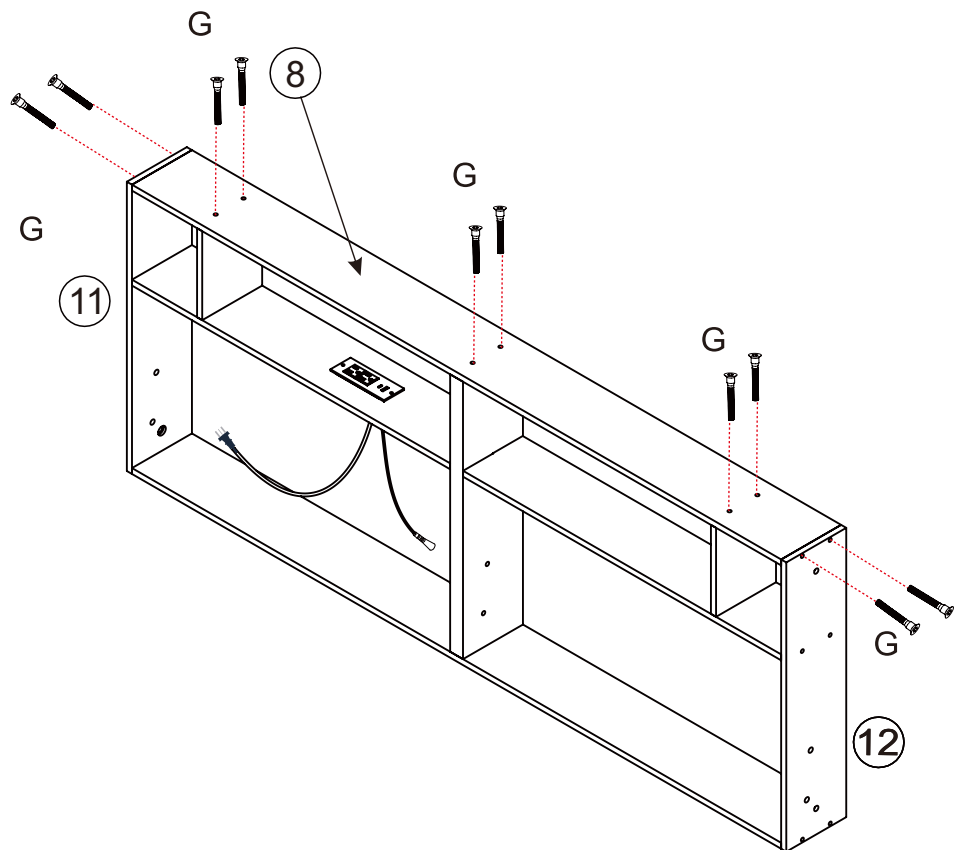


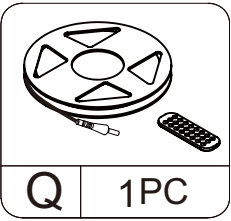
M6*37 mm

G 10PCS

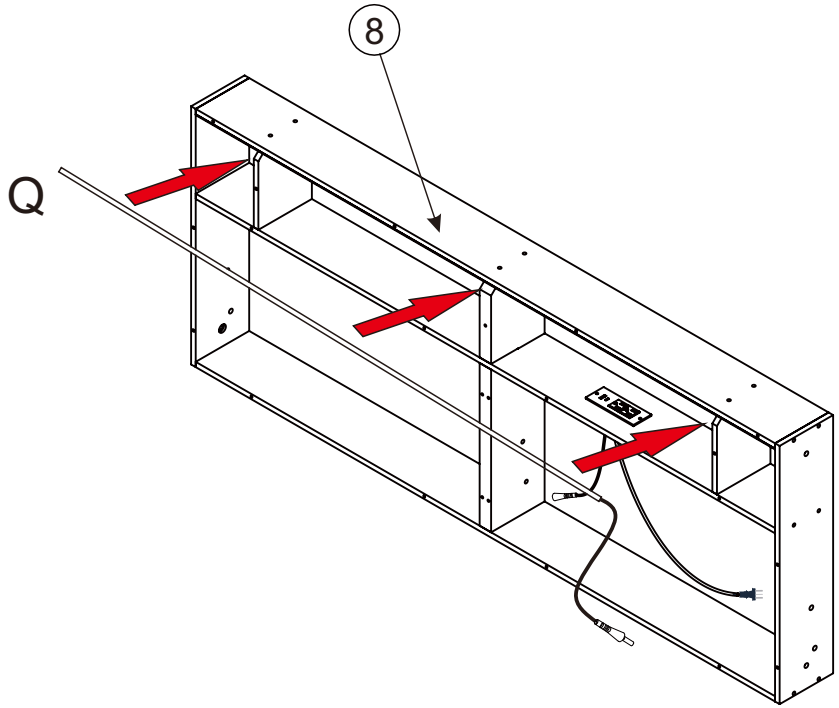
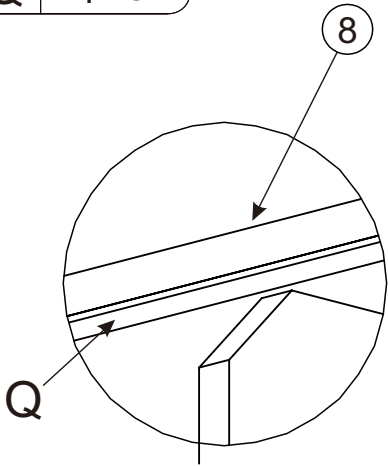


P 2PCS

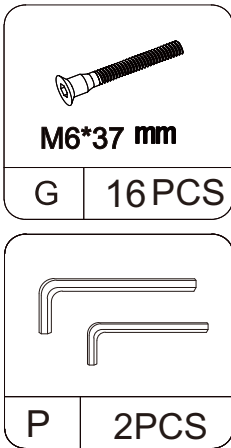




Q 1PC



Strip Q is pasted to No. 8!

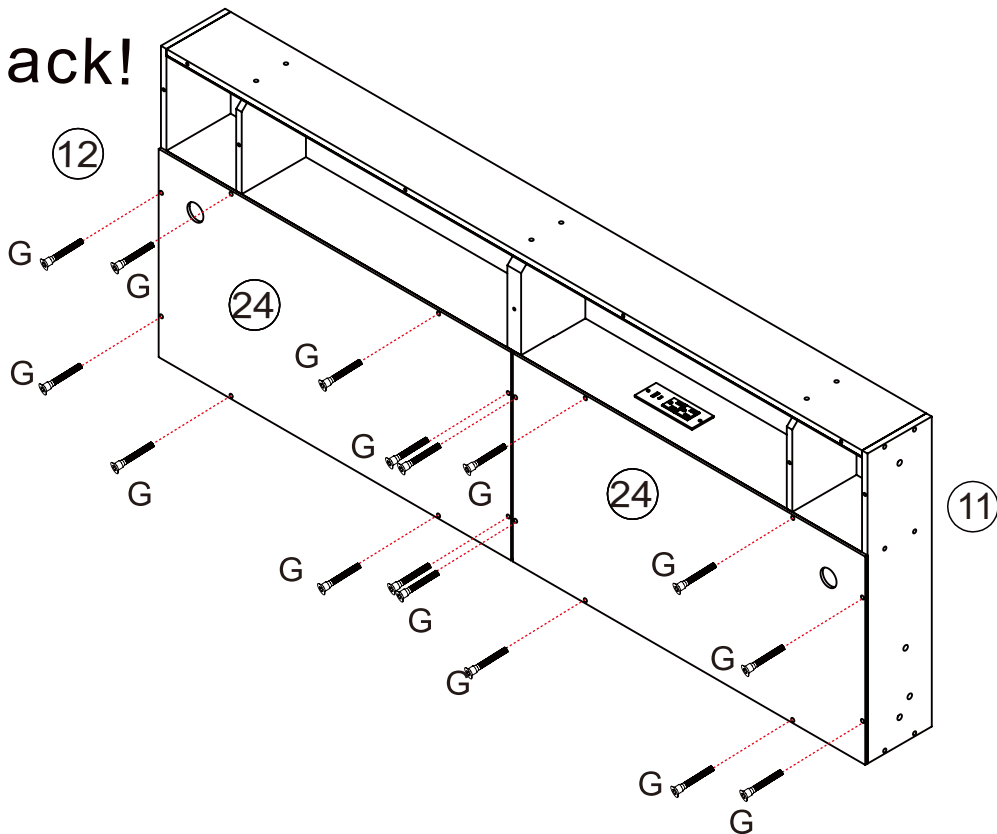


M6*37 mm

G 16PCS

P 2PCS

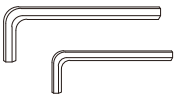
Back!



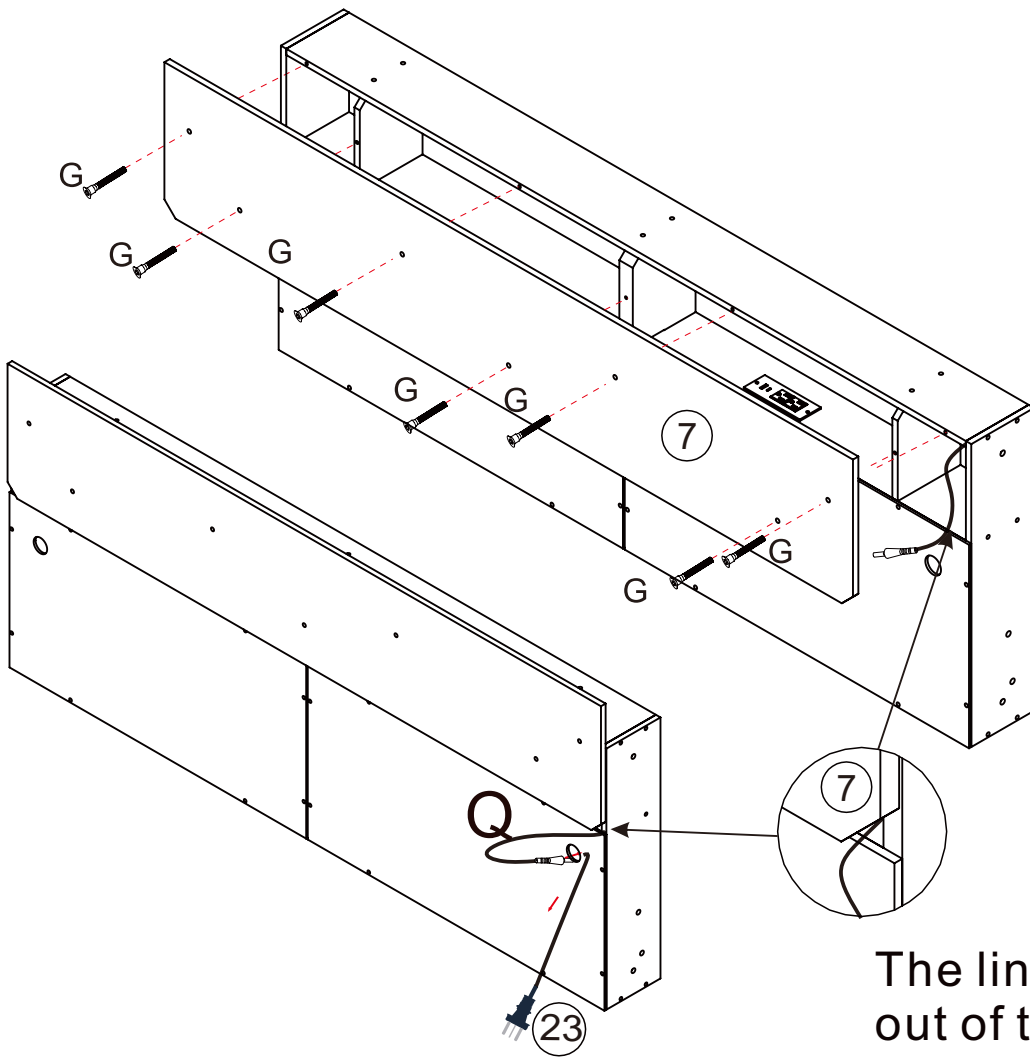


M6*37 mm

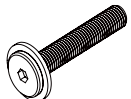
G 7PCS



P 2PCS



The line comes out of the notch!



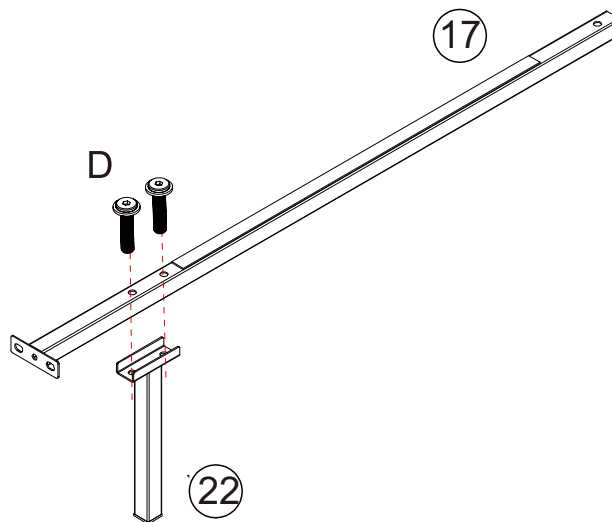
M8*40 mm

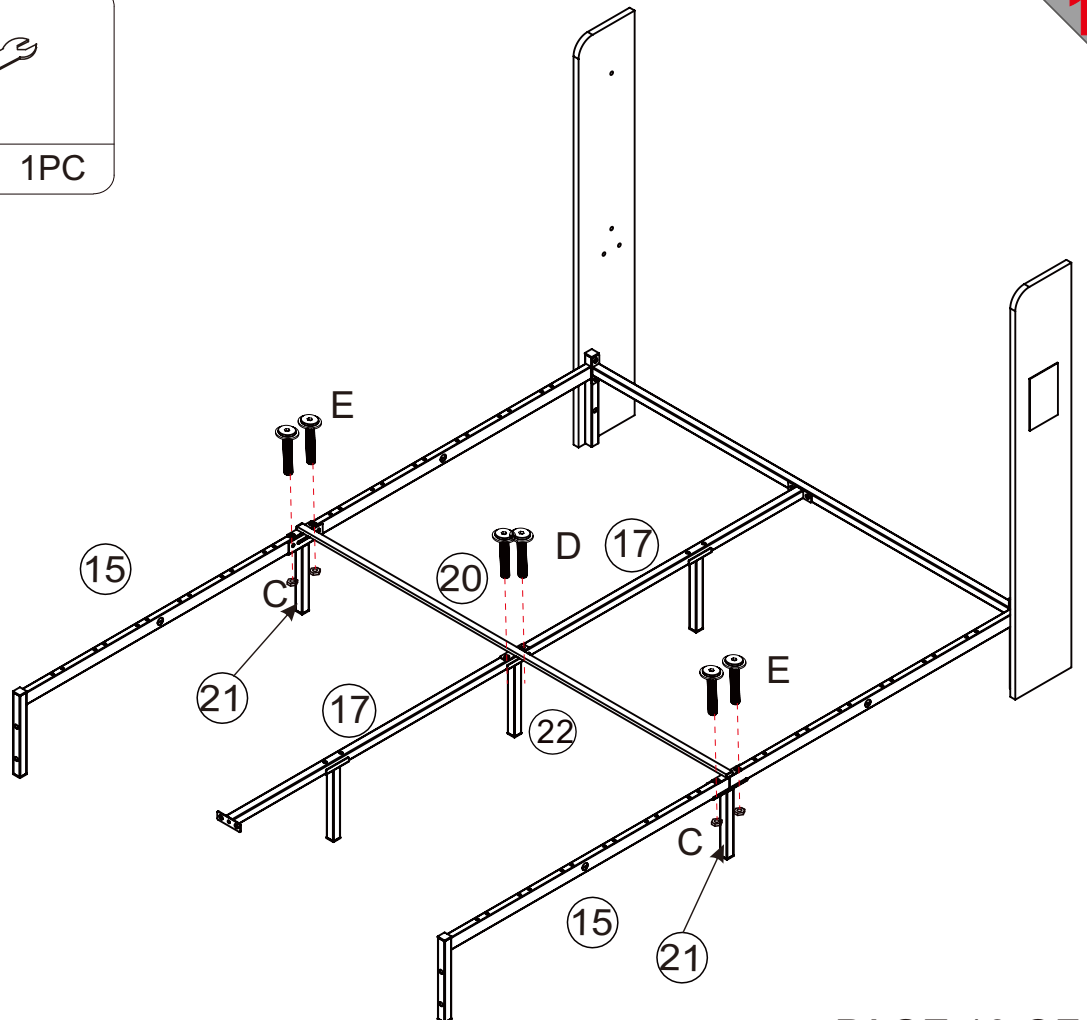
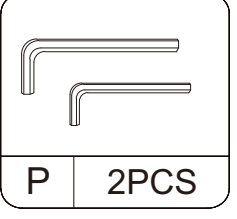
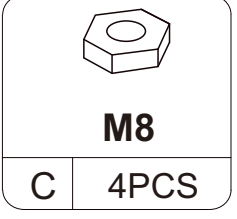
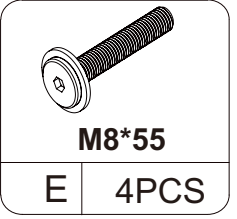
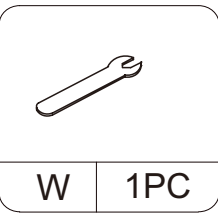
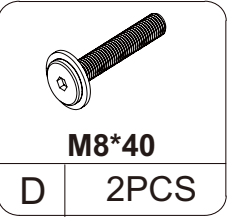
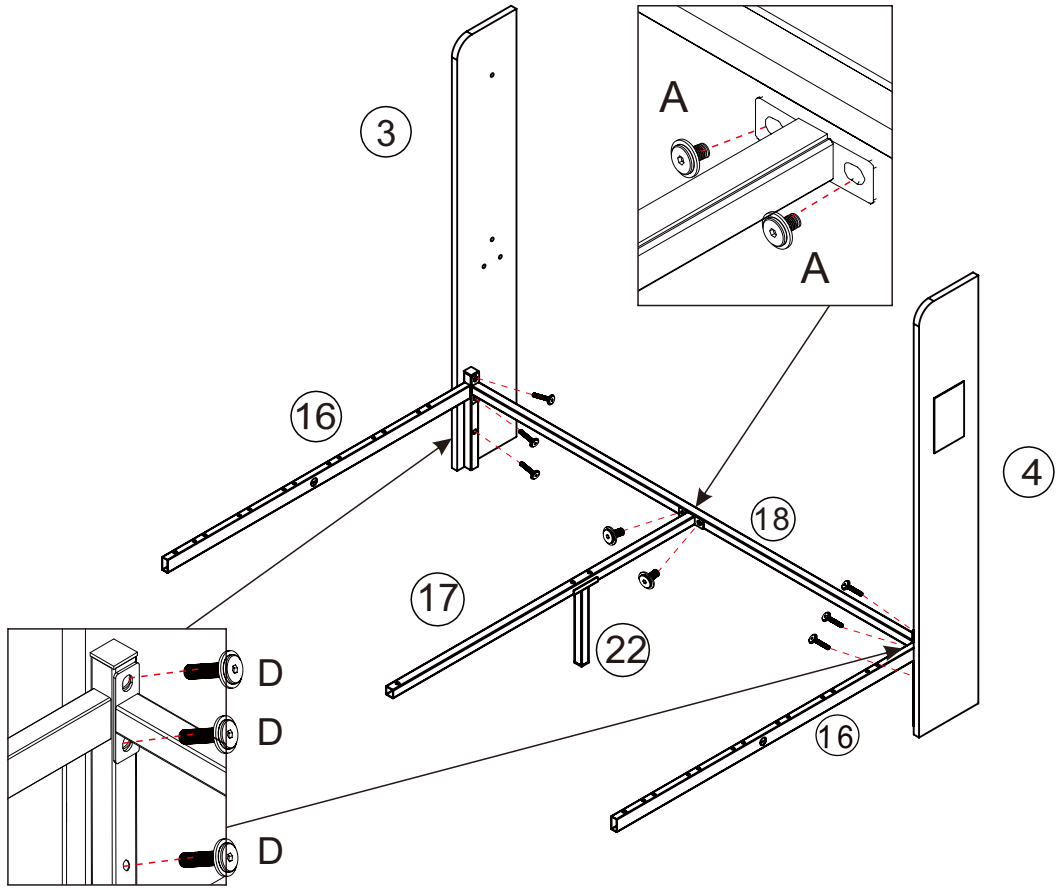
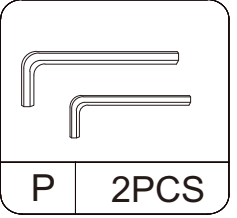
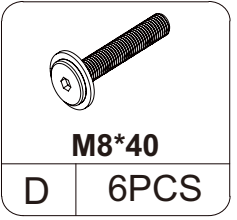
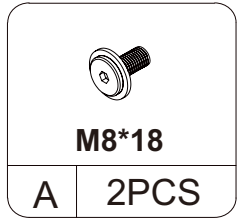
D 4PCS



P 2PCS

X2

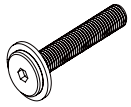






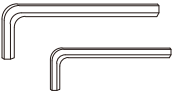
M8*18

A 2PCS

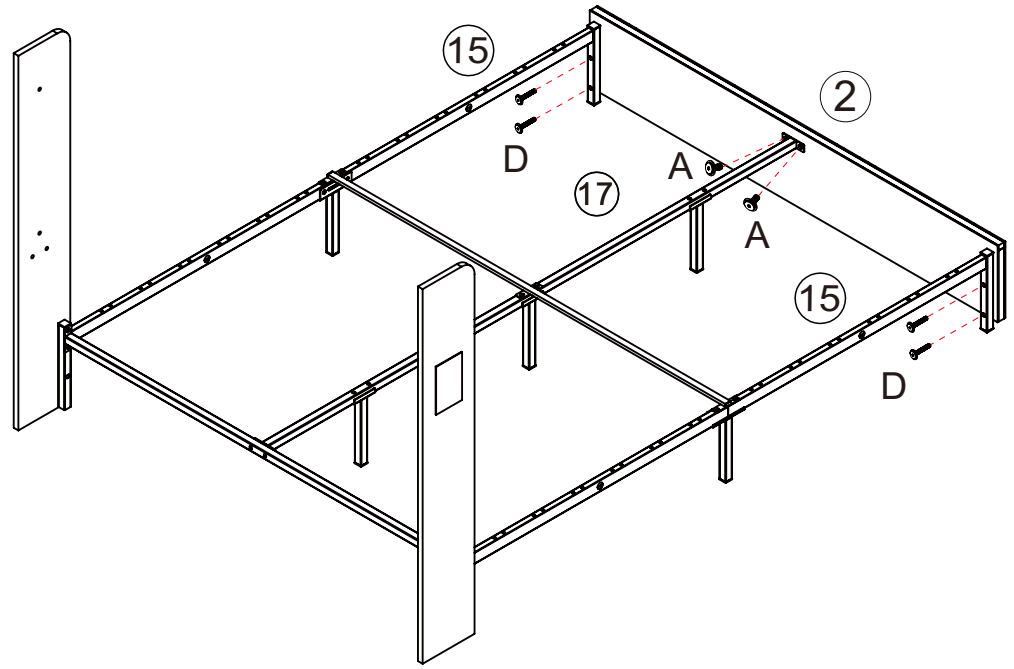


M8*40

D 4PCS

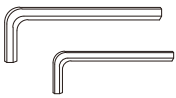


P 2PCS

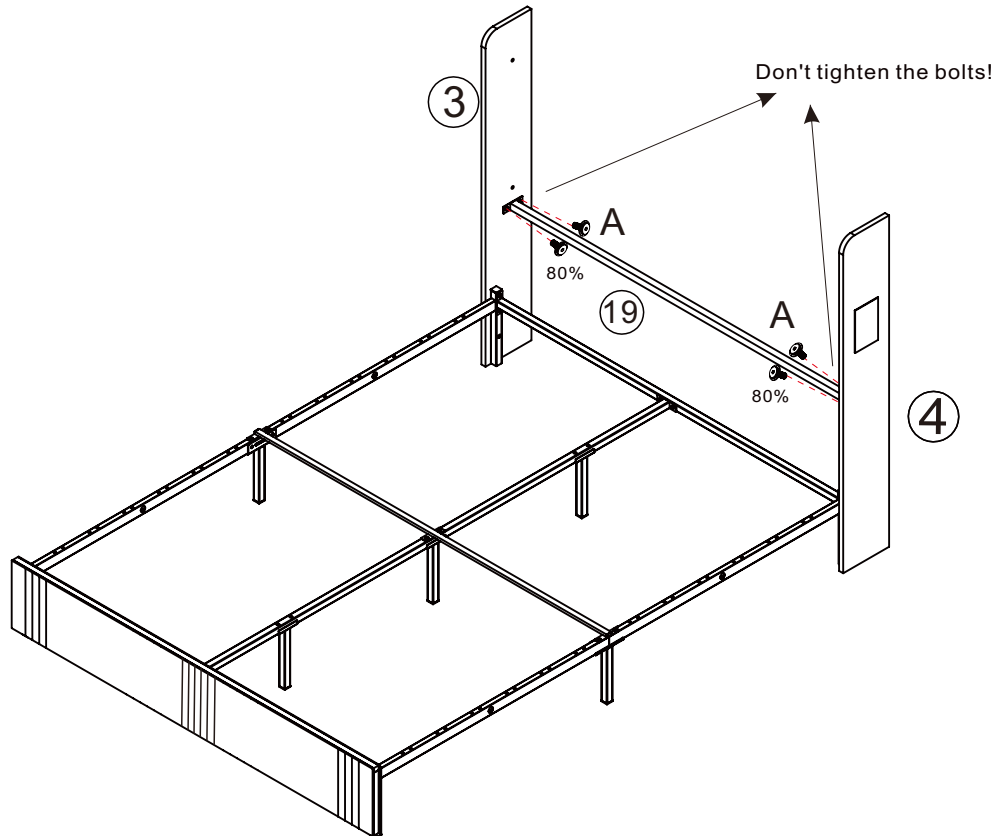


M8*18

A 4PCS



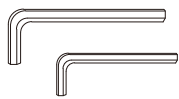
P 2PCS





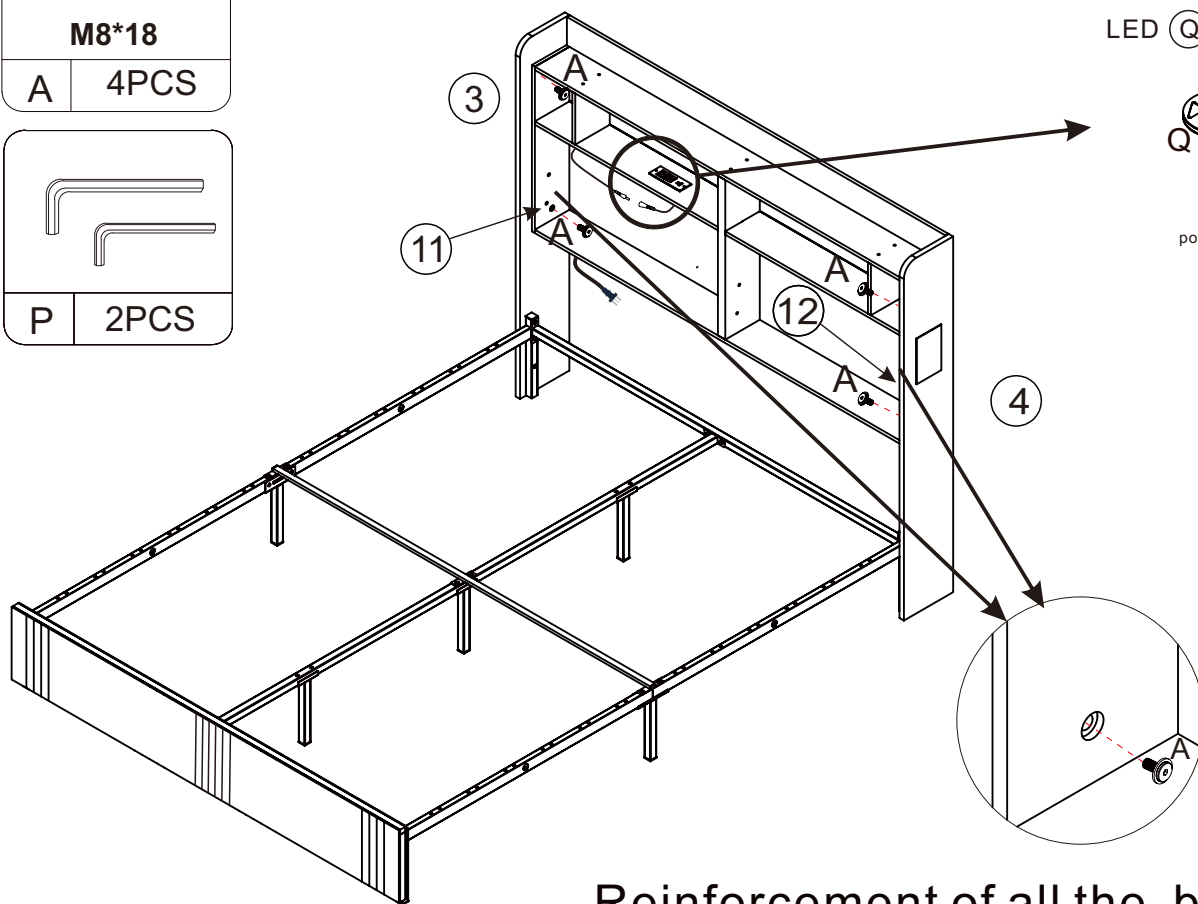
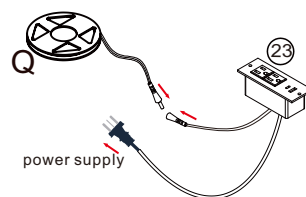
M8*18

A 4PCS



P 2PCS

LED (Q) connected to (23)



Reinforcement of all the bolts!



M6*12

H 4pcs



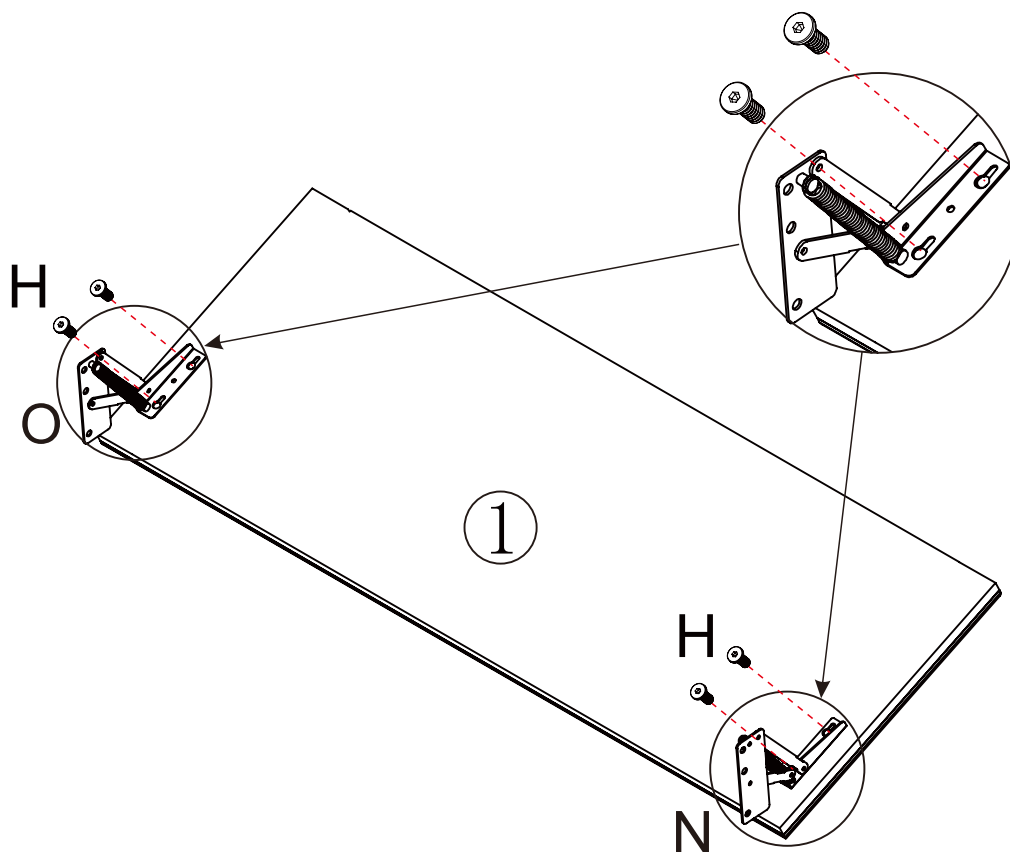
O 1PC



N 1PC



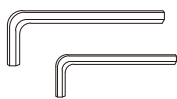
P 2PCS



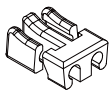
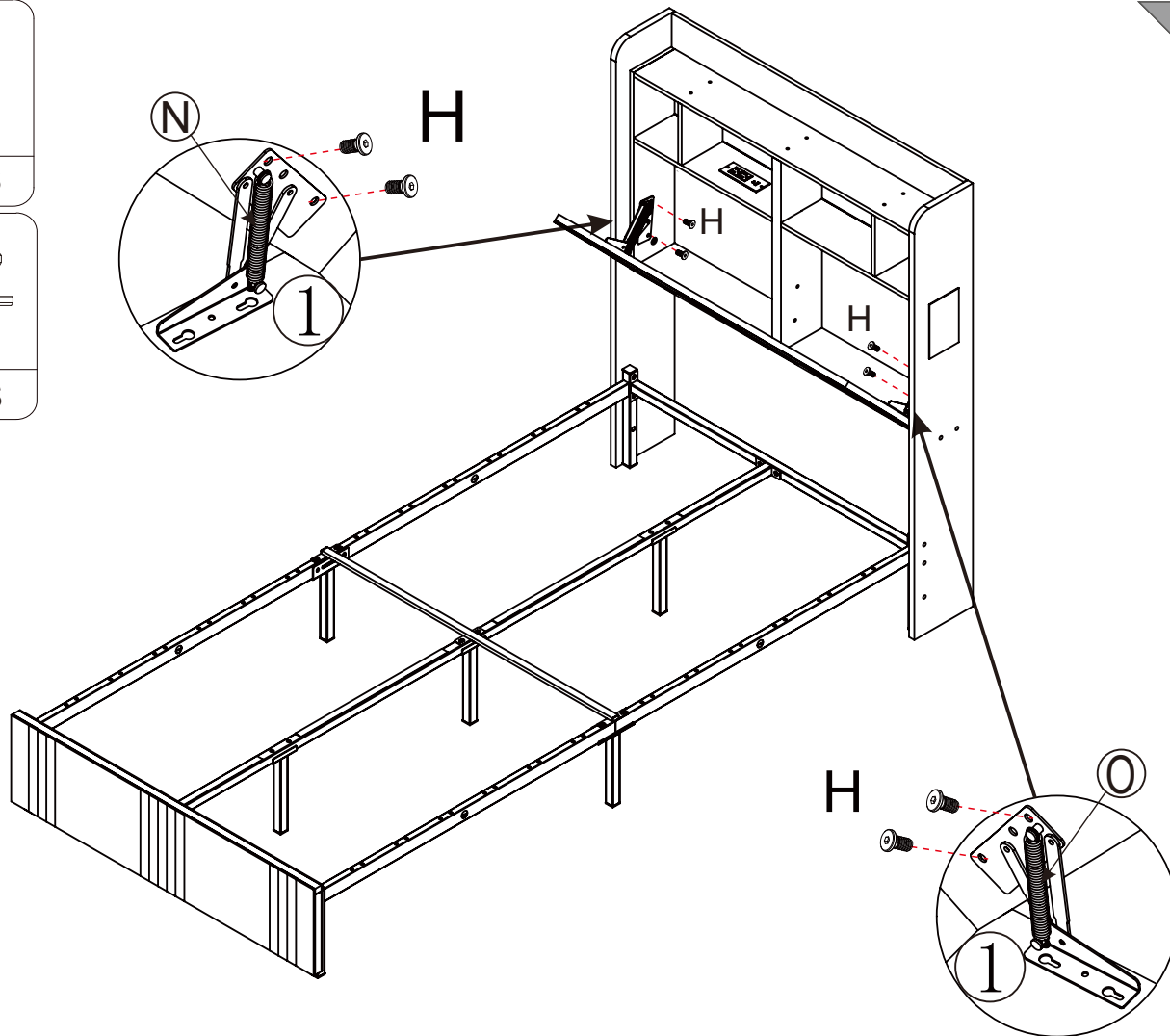


M6*12

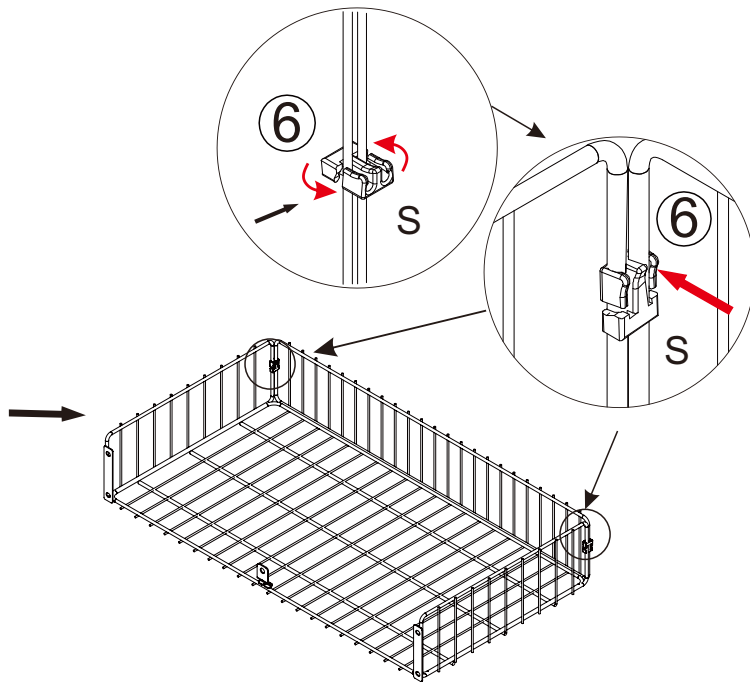
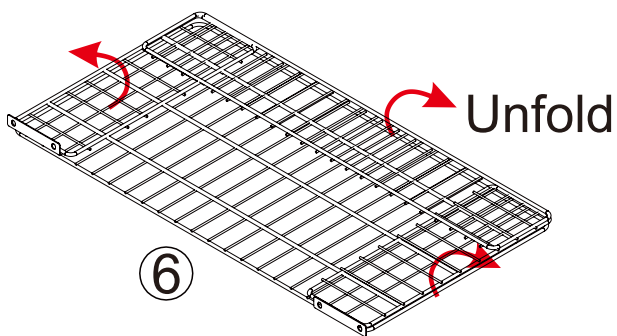
H 4PCS




P 2PCS

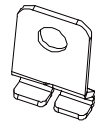


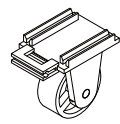
S 8PCS

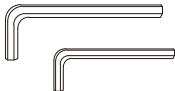


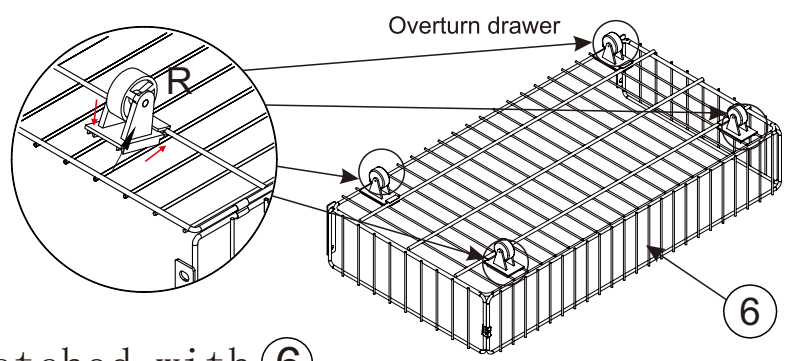
X4


M8*14
L 20PCS


T
4PCS

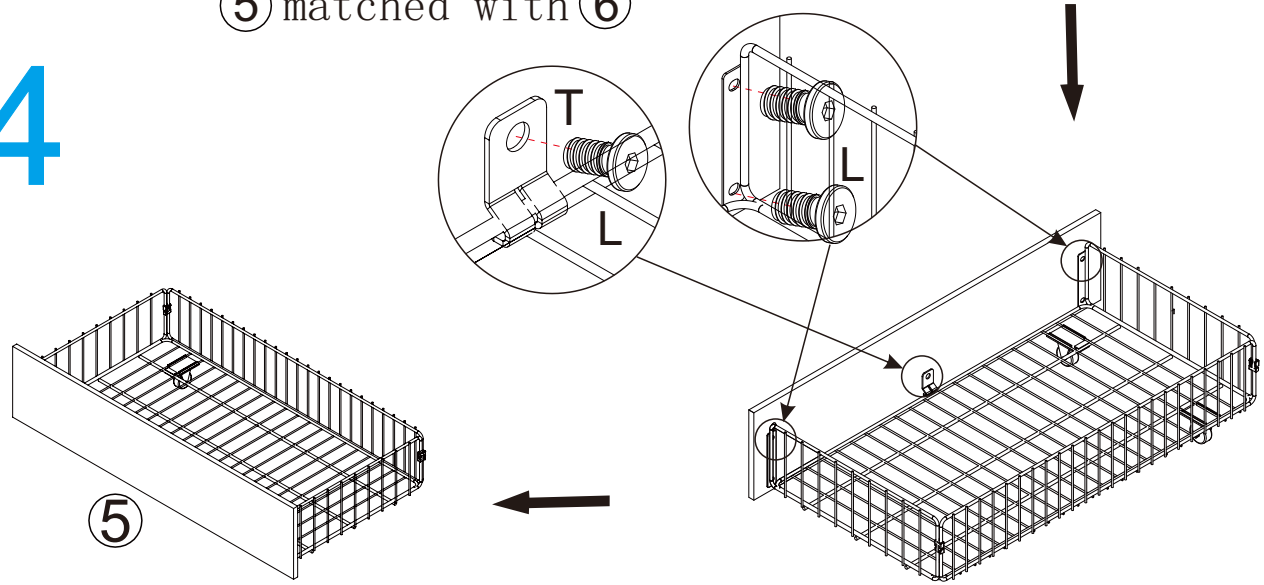

R
16PCS

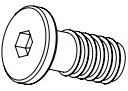

P
2PCS

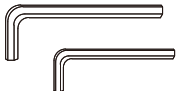


⑤ matched with ⑥

X4




M8*20
M 4PCS


P
2PCS

X4

SIDERAIL BRACKET

