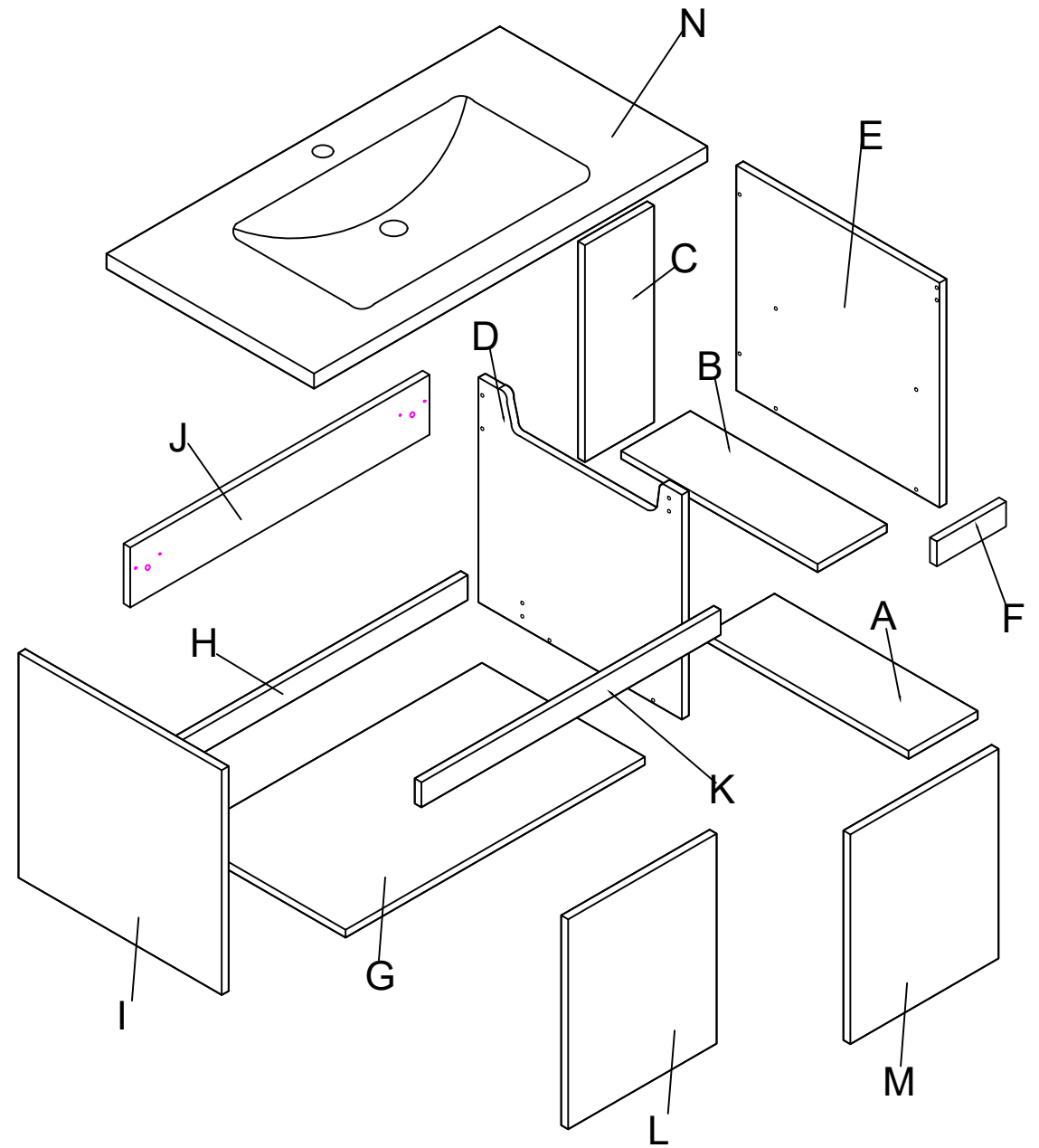
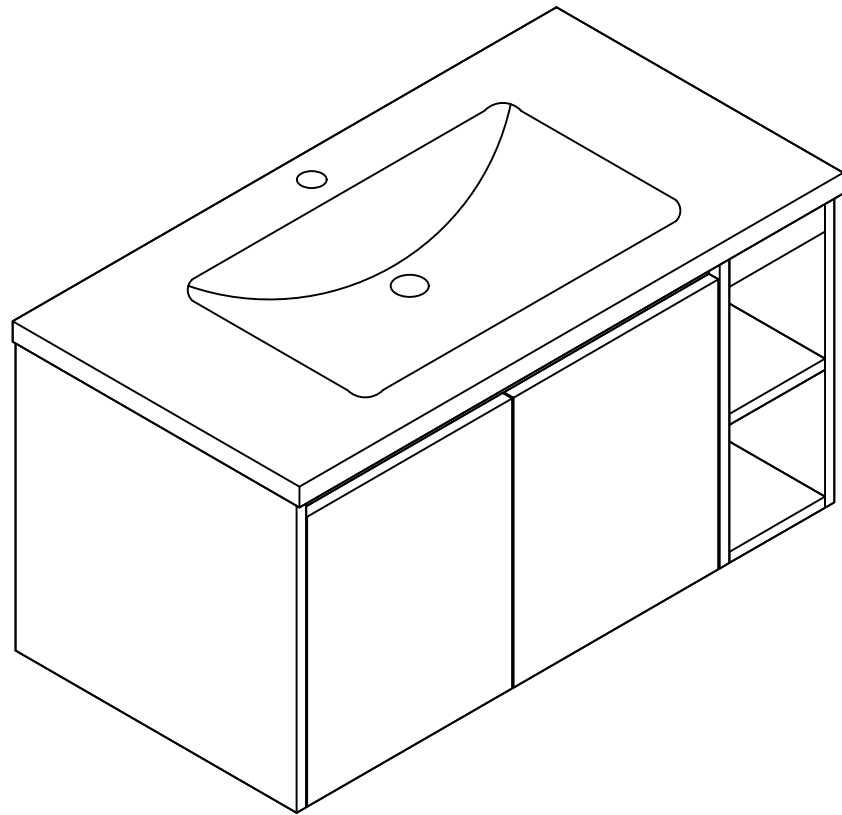


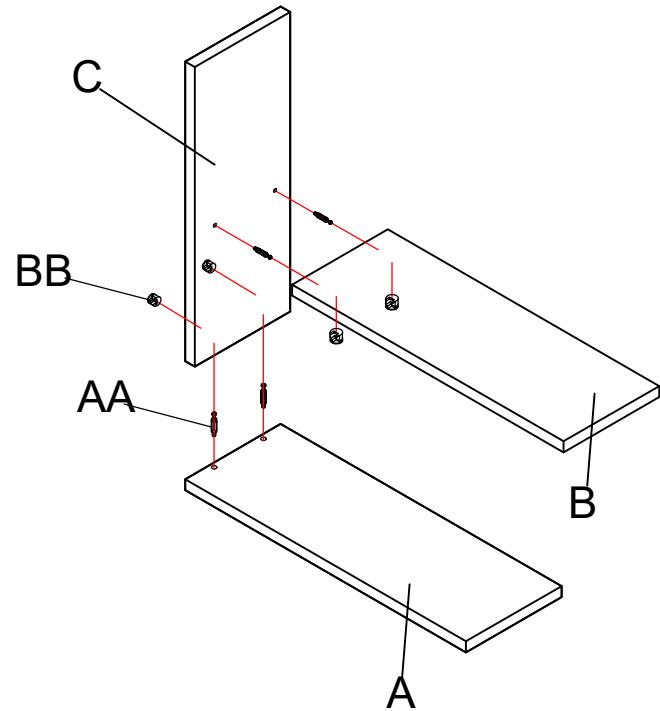
# Installation & Assembly





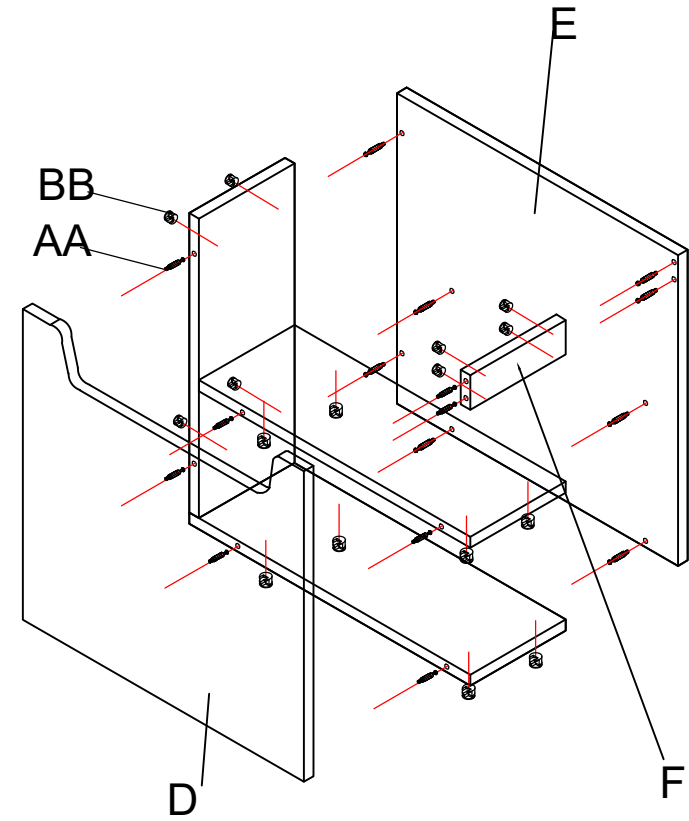
AA  x4

BB  x4



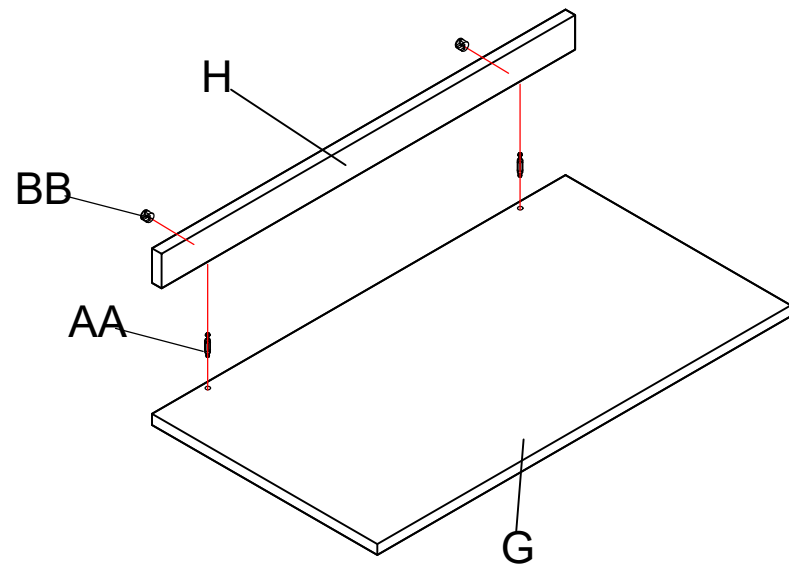
AA  x16

BB  x16



AA  x2

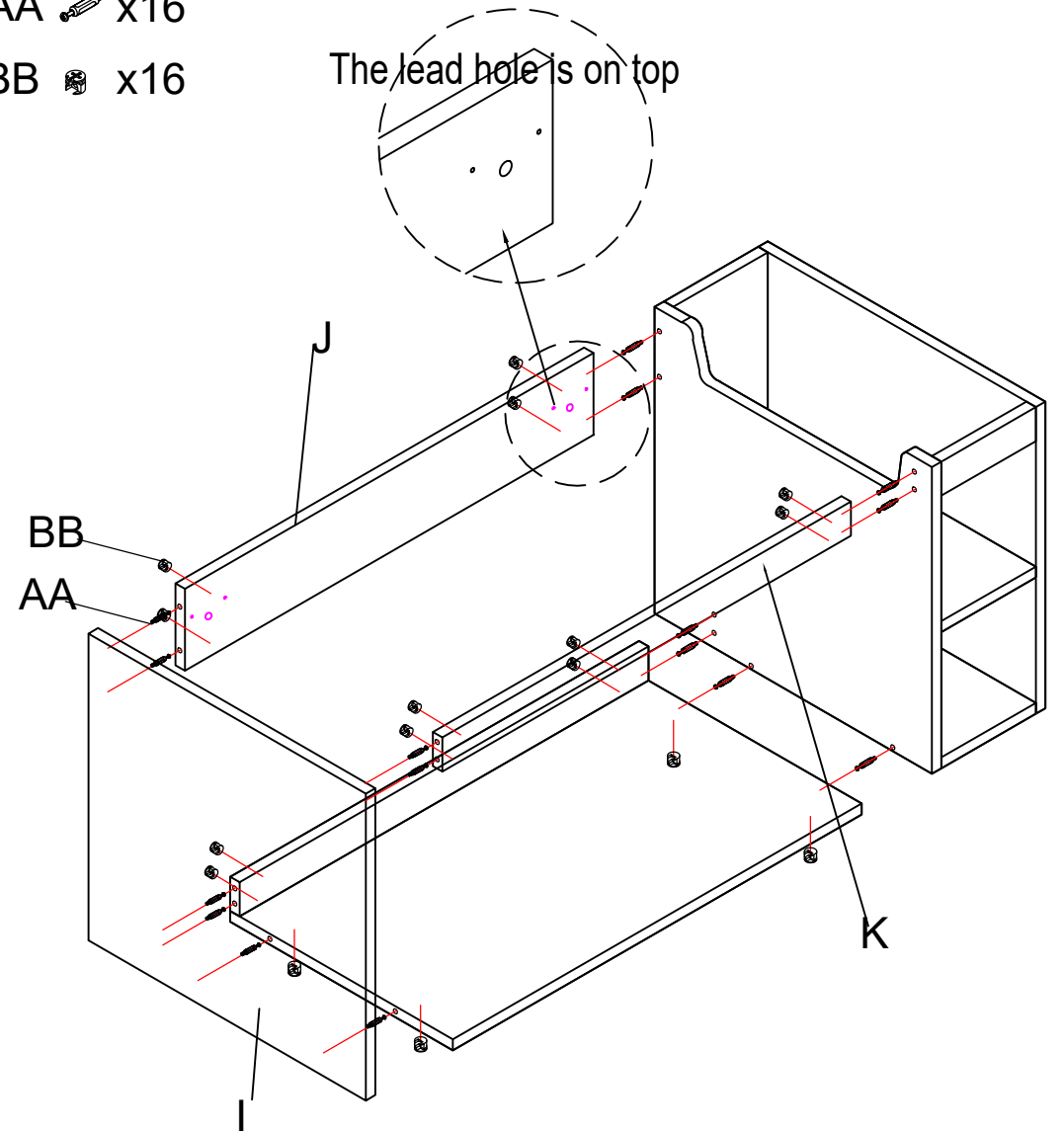
BB  x2



AA  x16

BB  x16

The lead hole is on top



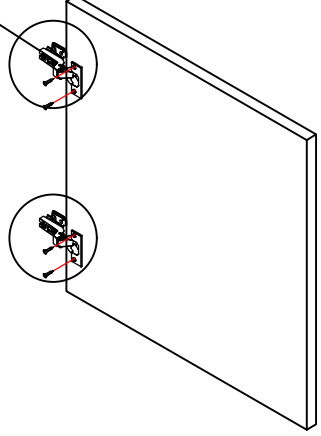
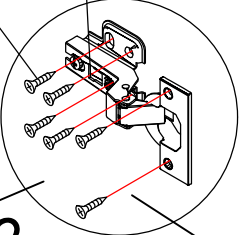
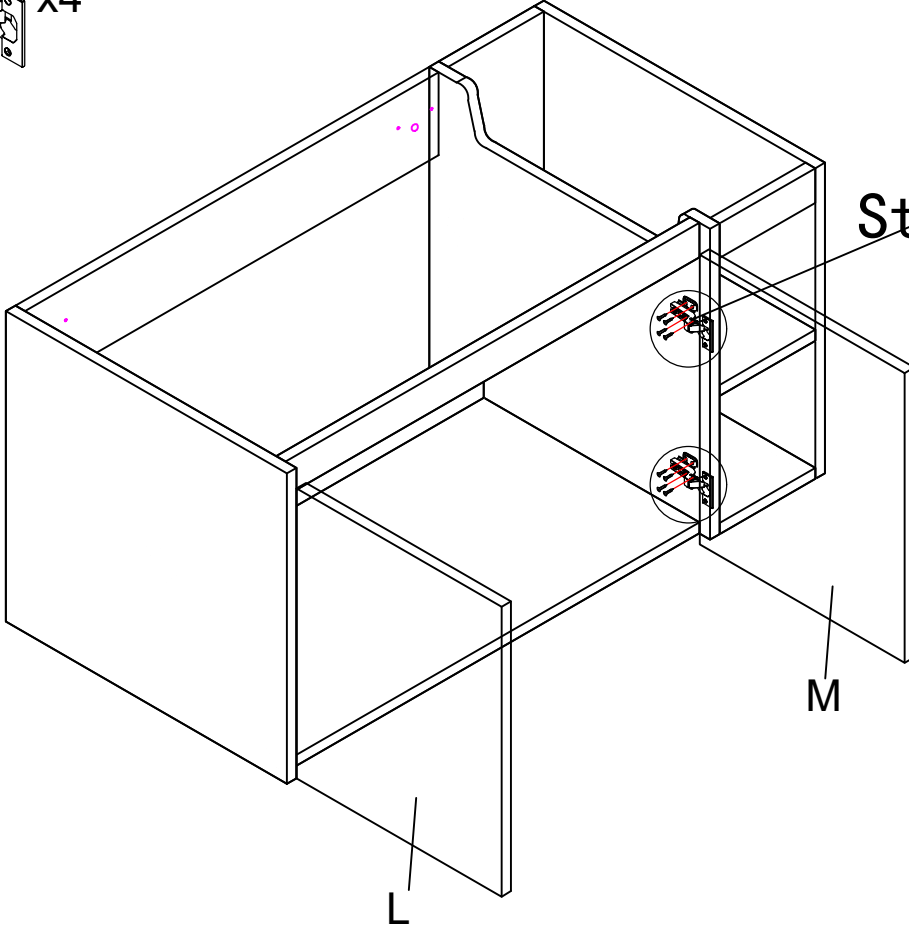
CC  x24

DD  x4

CC DD

Step 2

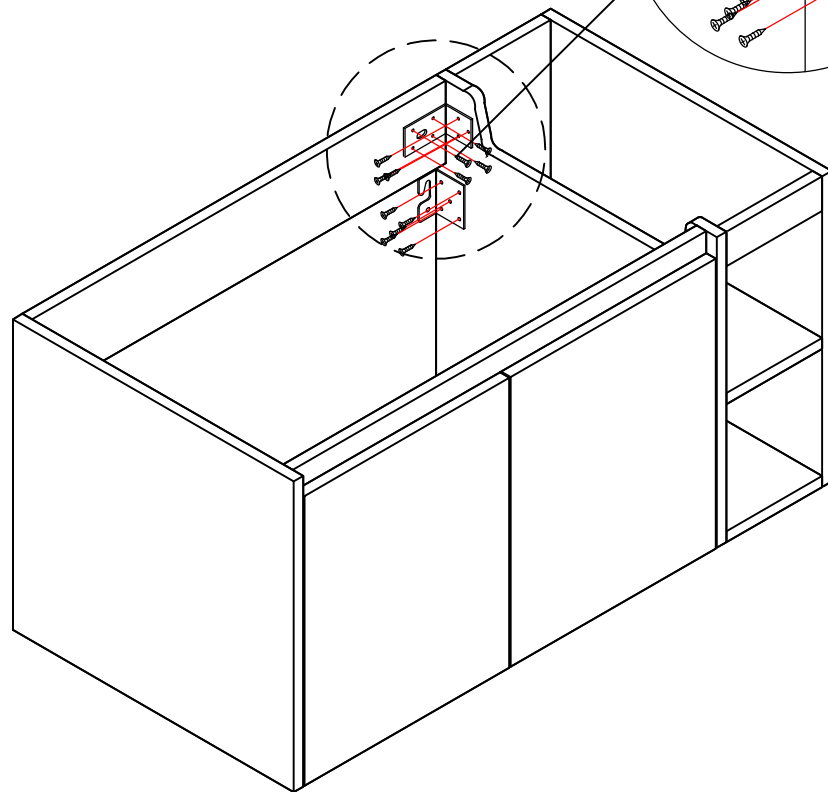
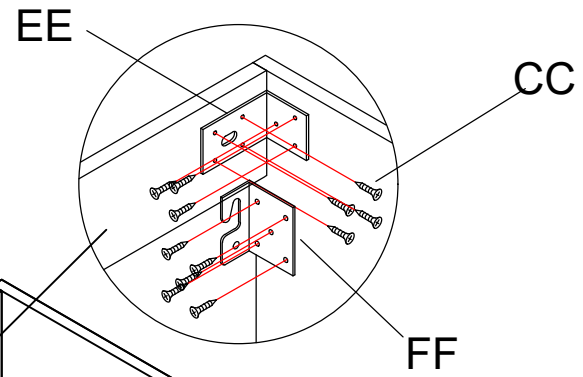
Step 1



CC  x24

EE  x2

FF  x2



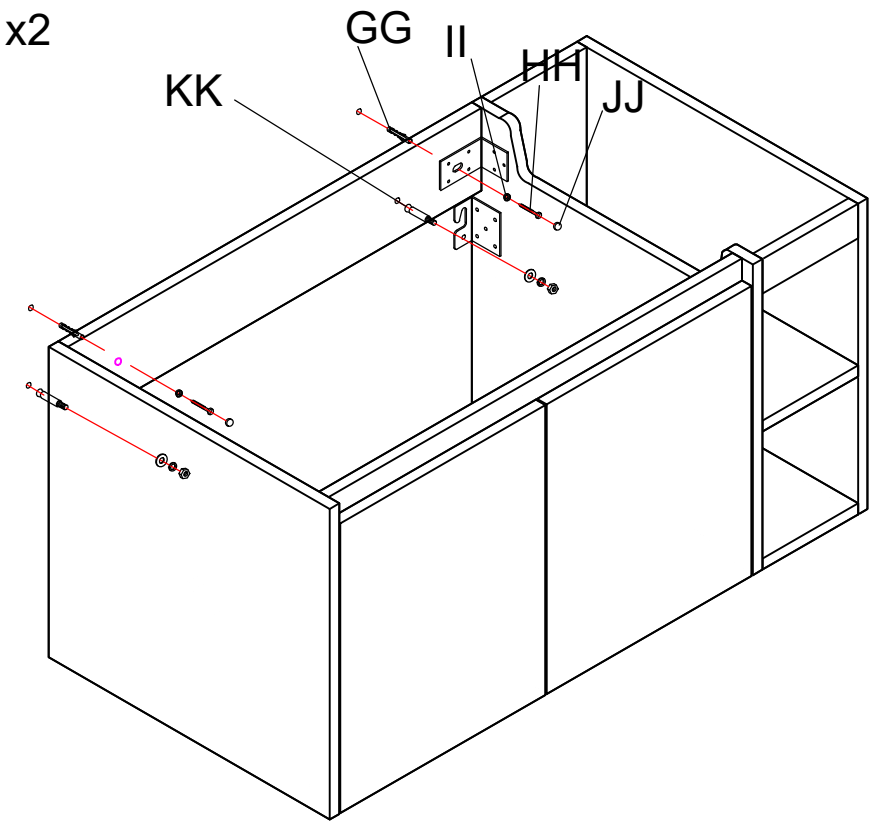
GG  x2

HH  x2

II  x2

JJ  x2

KK  x2



LL  x4

MM  x1

