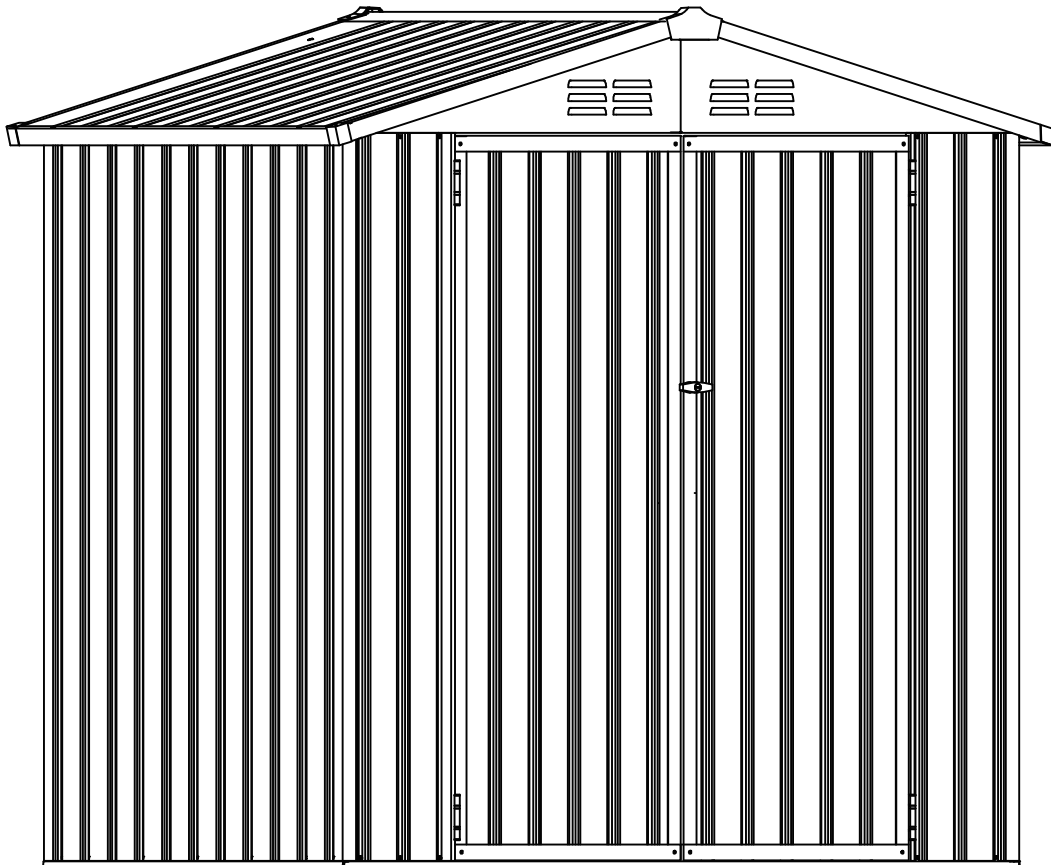
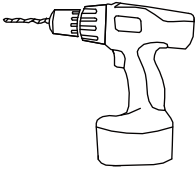
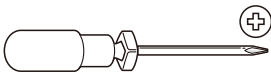


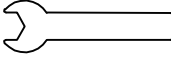
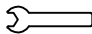


6*6 Storage Shed Installation_SS16300GR



**The product comes in two packages.
Please install after receiving all packages.**

Please prepare below tools before installation. (Not Included)

 Electric Screwdriver	 + Manual Screwdriver	 Ladder
Package included Tools	 Gloves x 1Pair	  Spanner x 2

ATTENTION:

Please read this instruction carefully before installation and follow it strictly during installation. Ensure that there are no problems later due to installation errors.

Installation Notes

Please check the quantity of all parts before installation (Please refer to the Parts Lists) and the appearance of the products. Please make sure the product is correct before installation. If there is any problem, please contact us directly.

Make sure the colored panels are facing outwards and all the holes match. The panels are textured, please install the panels in the order specified in the instructions. All lines and holes must be accurately matched to make the storage shed more stable. Please ensure that all screws are tightened to prevent the product from falling apart.

There is a protective film on the surface to protect the product, please tear it off after installation to get the final presentation. If you do not damage the film during installation, it can also remain on the product to protect the product.

Please place the product on a flat ground to prevent leaning and collapse. If the ground is uneven, the door may can't be closed.

! Safety Precautions

We recommend two adults to complete the installation. Two adults installed together will make the installation process easier and safer.

The gloves must be carried to prevent hand cuts during installation.


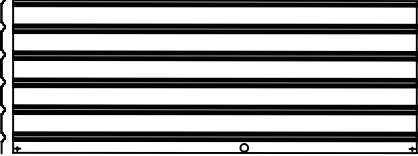

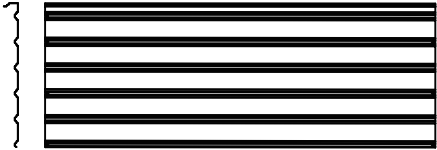
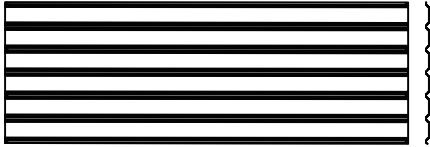

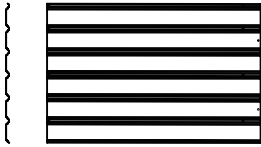
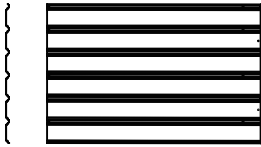

Take care when using power tools near water the use of a residual current device (RCD) is advised.

Please use the electric driver carefully during screwing to prevent the screw from slipping and hurting your hand. (We recommend that beginners use a manual screwdriver for installation.)

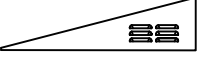


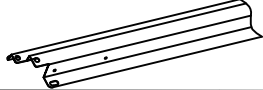
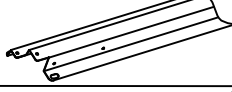
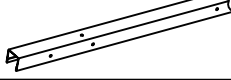
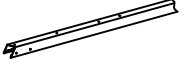




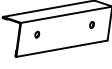
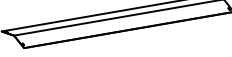




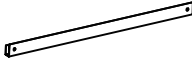
Be careful not to fall when installing the roof. Please steady the ladder and make sure the product placed on a flat ground.




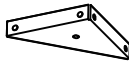





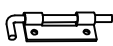
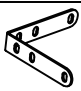



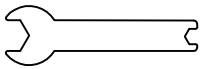
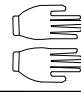
PLEASE KEEP THIS INSTRUCTION FOR FUTURE REFERENCE.

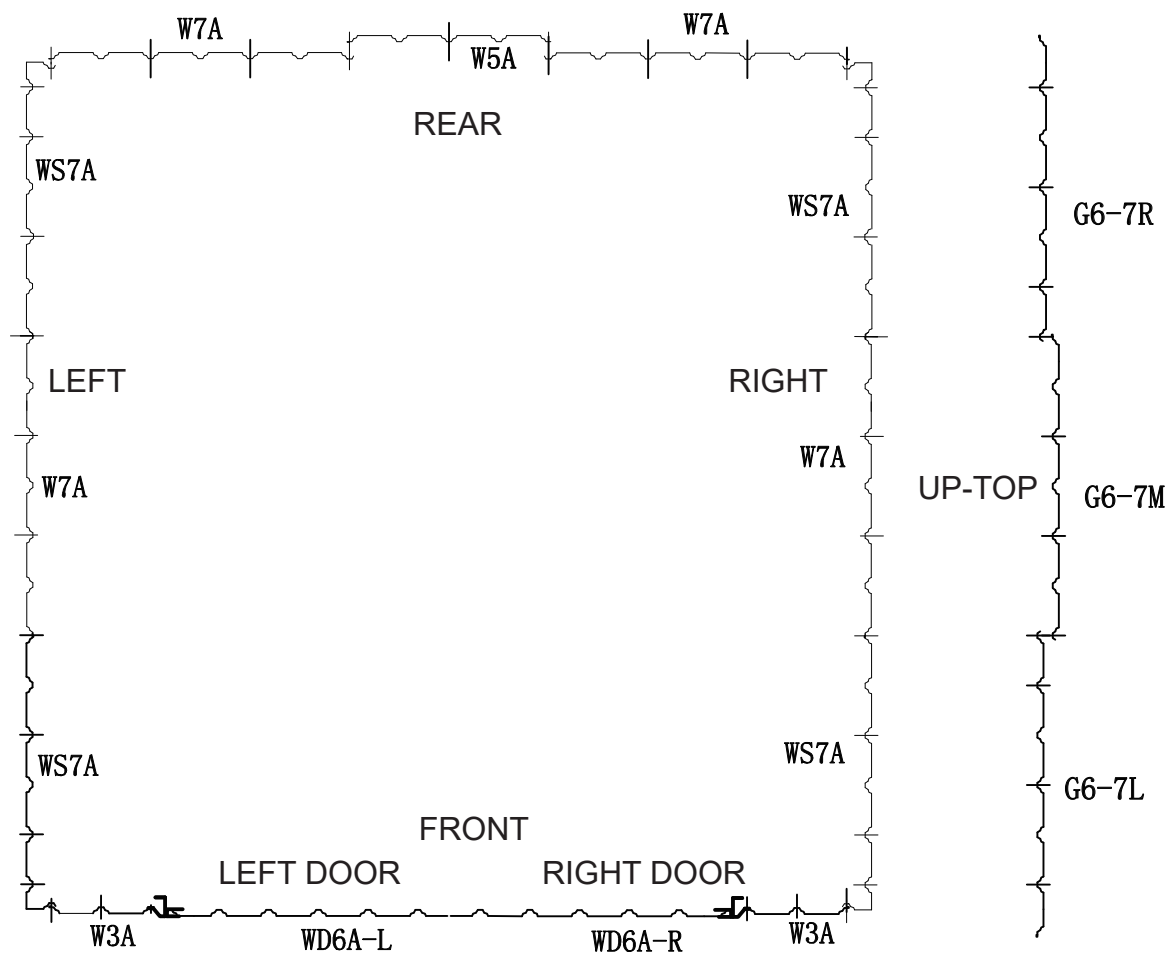
6X6parts list (A)

PART	NO.	QTY.
	WD6A-L	1
	WD6A-R	1
	W3A	2
	WS7A	4
	W7A	4
	W5A	1
	G6-7M	2
	G6-7L	2
	G6-7R	2

6X6parts list (B)

PART	NO.	QTY.
	A1	2
	A2	2
	BS1	1
	BS2	1
	BS3	2
	US1	2
	US3	2
	UA	2
	M7	4
	M11	2
	M2	2
	C3	4
	M9	1
	DA	2
	DLA	1
	DRA	1
	DGA	2
	DDA	2

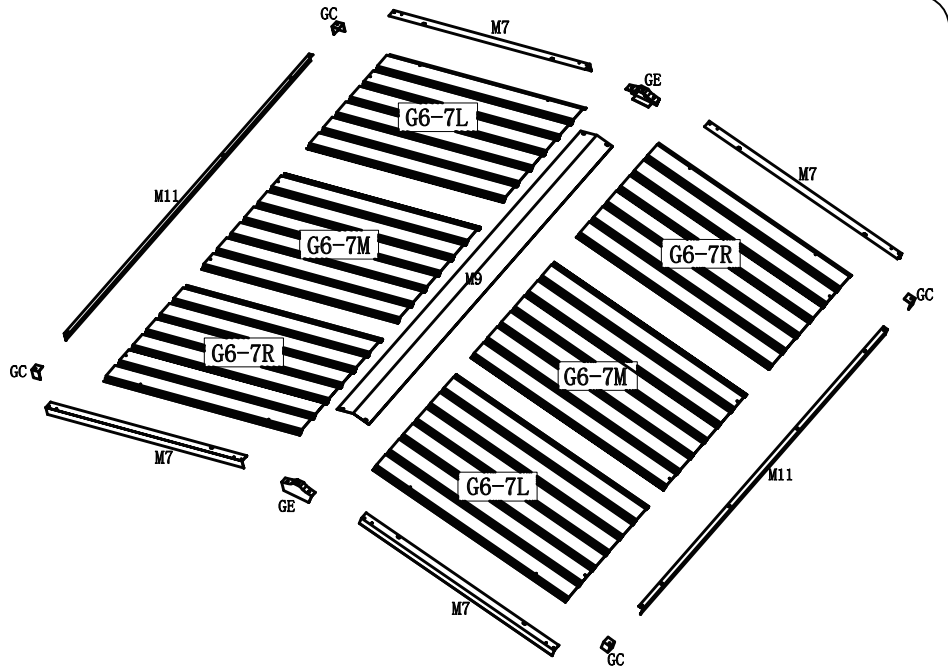
PART	NO.	QTY.
	DBA	4
	GC	4
	GE	2
	T-F	4
	F1	208
	F2	26
	F3	32
	V2	194
	F4	4
	DC	2
	C2	4
	DH	4
	GL	1
	SL	36
	M20	1
	ST	1



Part List

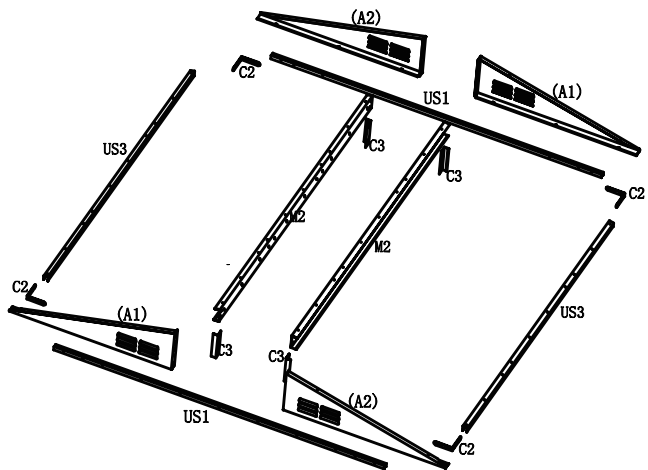
Shed top panels

NO.	QTY.
G6-7R	2
G6-7M	2
G6-7L	2
GE	2
M7	4
GC	4
M9	1
M11	2



Shed top frame

NO.	QTY.
A2	2
A1	2
US1	2
C2	4
US3	2
M2	2
C3	4



Door

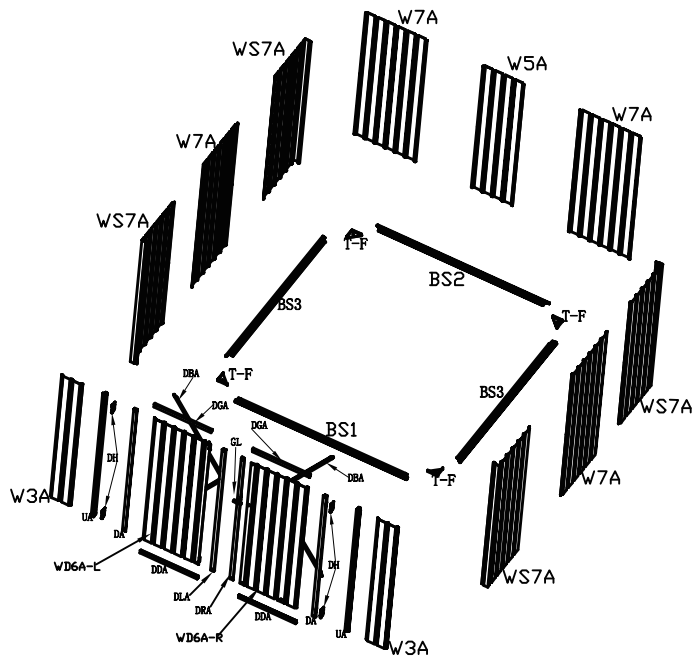
NO.	QTY.
WD6A-L	1
WD6A-R	1
DDA	2
DA	2
DGA	2
DBA	4
DC	2
DH	4
GL	1
DLA	1
DRA	1

Shed base

NO.	QTY.
BS3	2
BS1	1
BS2	1
T-F	4

Shed side

NO.	QTY.
WS7A	4
W7A	4
W5A	1
W3A	2
UA	2

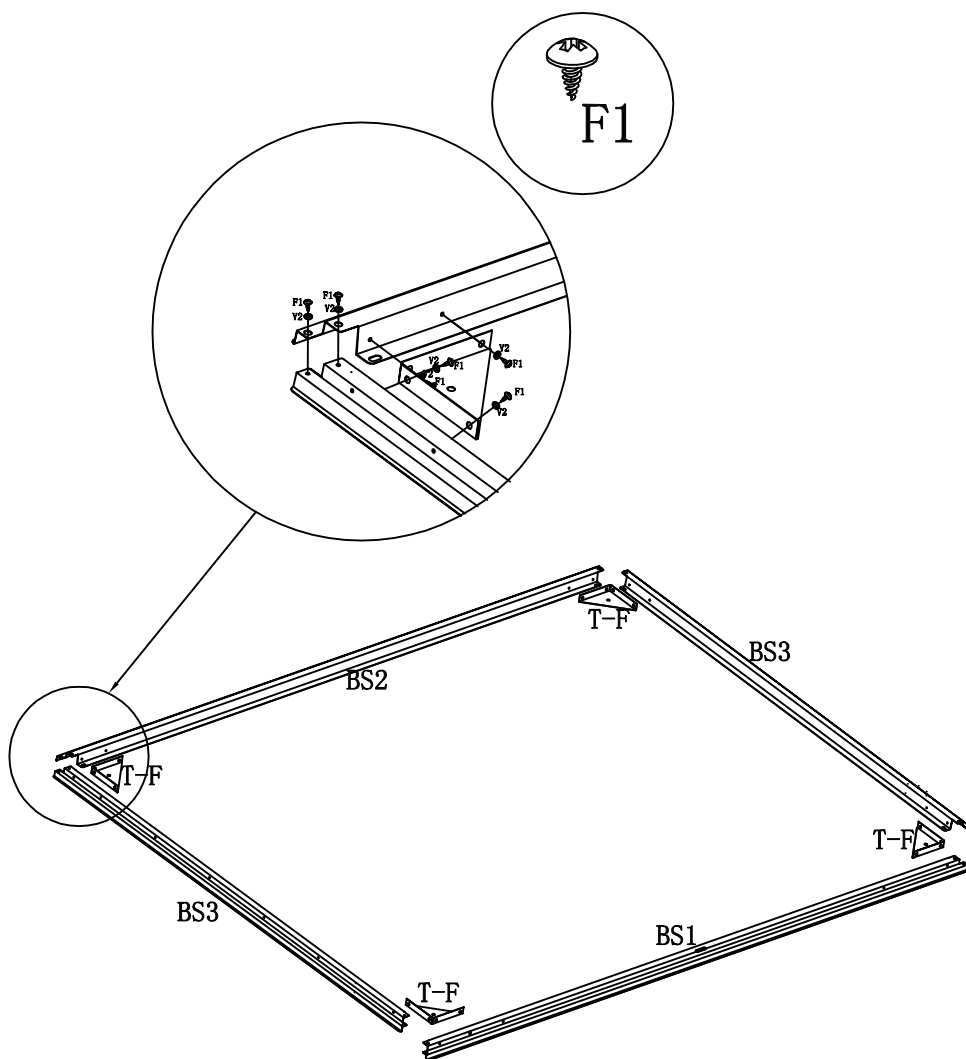


Shed Base Frame Assemble

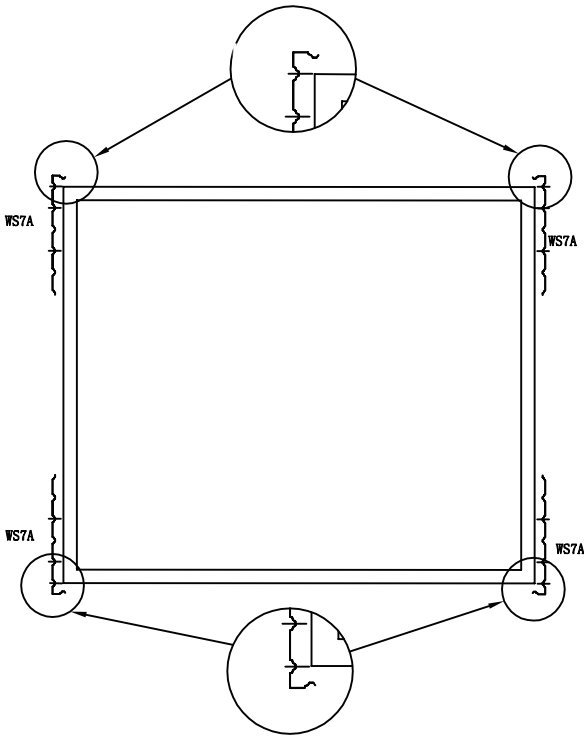


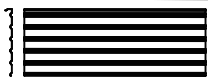


Note: The larger hole is always covered over the small hole.

PART	NO.	QTY.
	BS1	1
	BS2	1
	BS3	2
	T-F	4
	V2	24
	F1	24



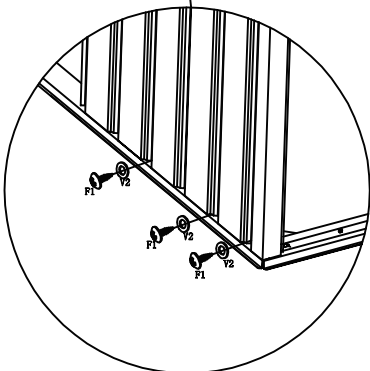
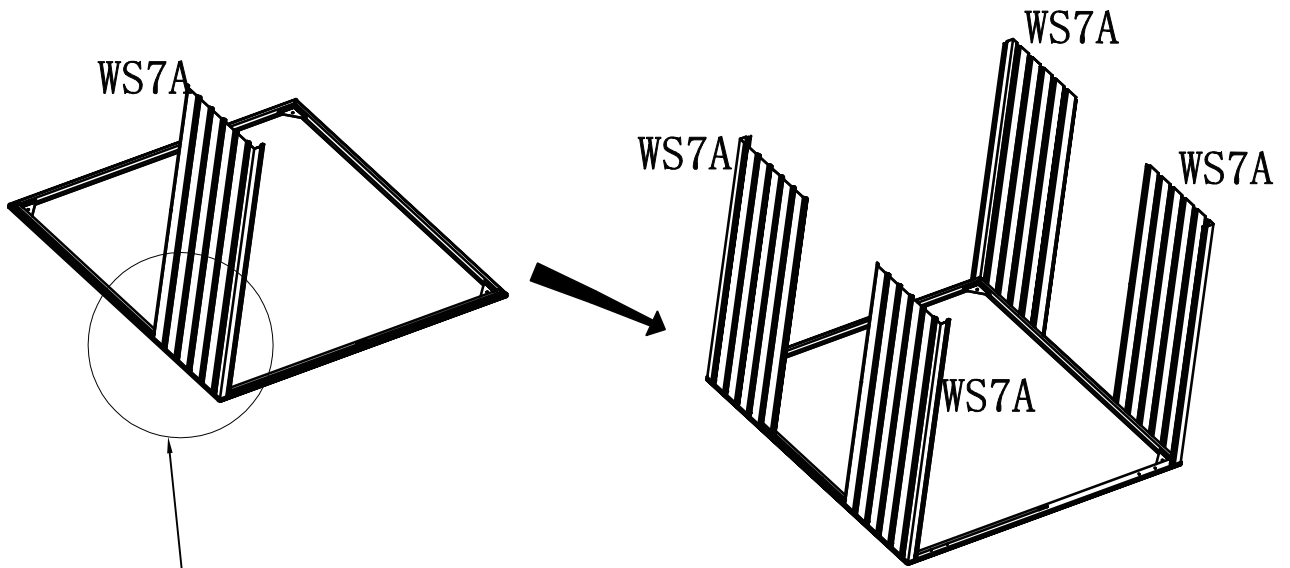
Shed Side Panels Assemble




PART	NO.	QTY.
	WS7A	4
	V2	12
	F1	12


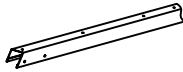


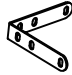


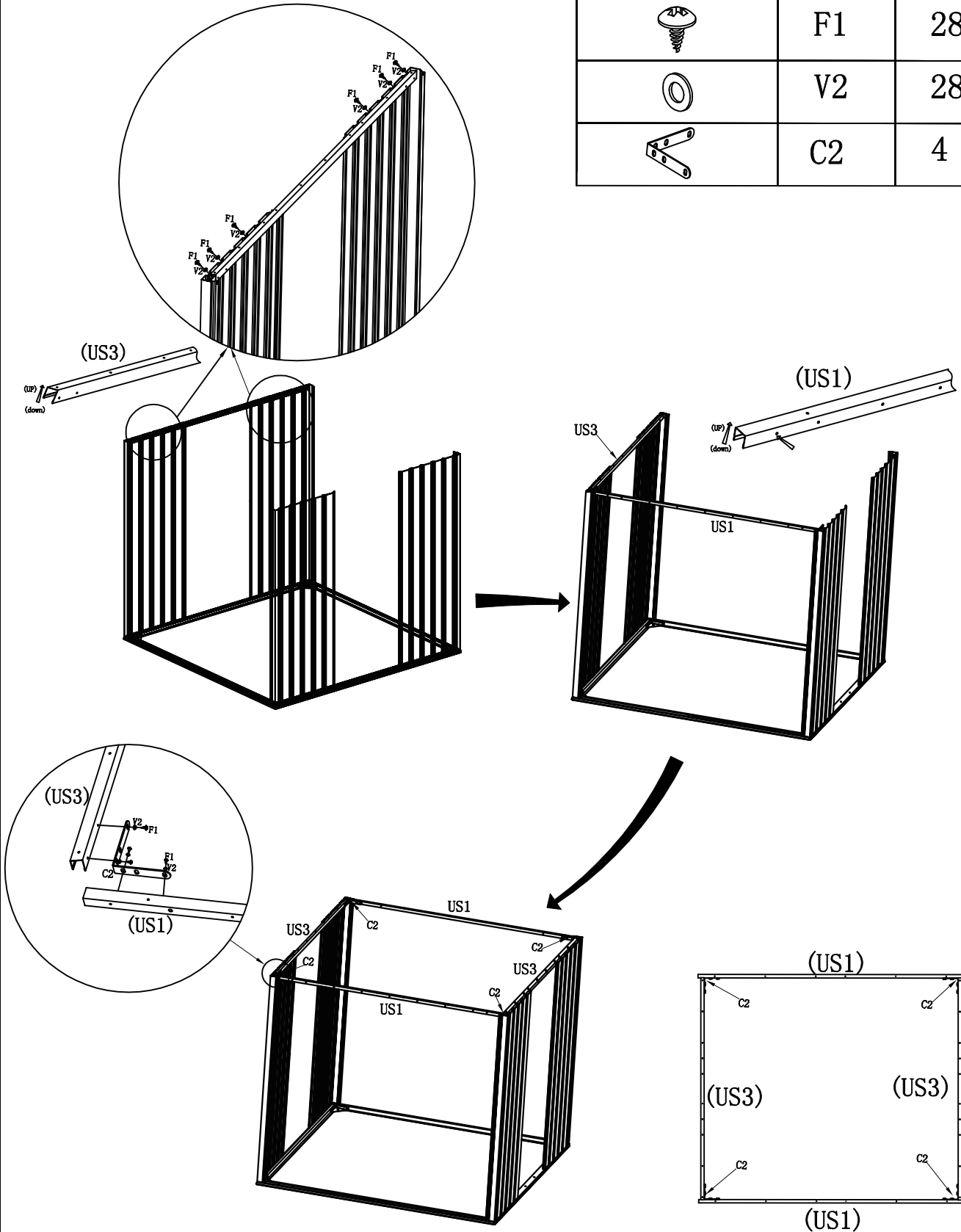
Note: The colored side should be facing out. The left and the right panel should be under the back panel.

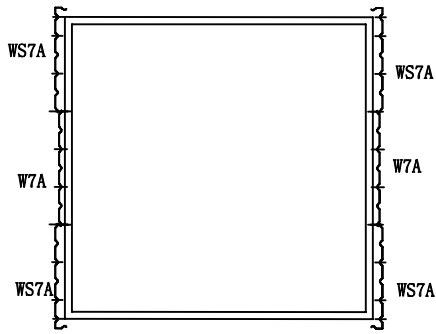


Please do not install the screws here. They will be installed after the other plates are installed (Please refer to Page 10)

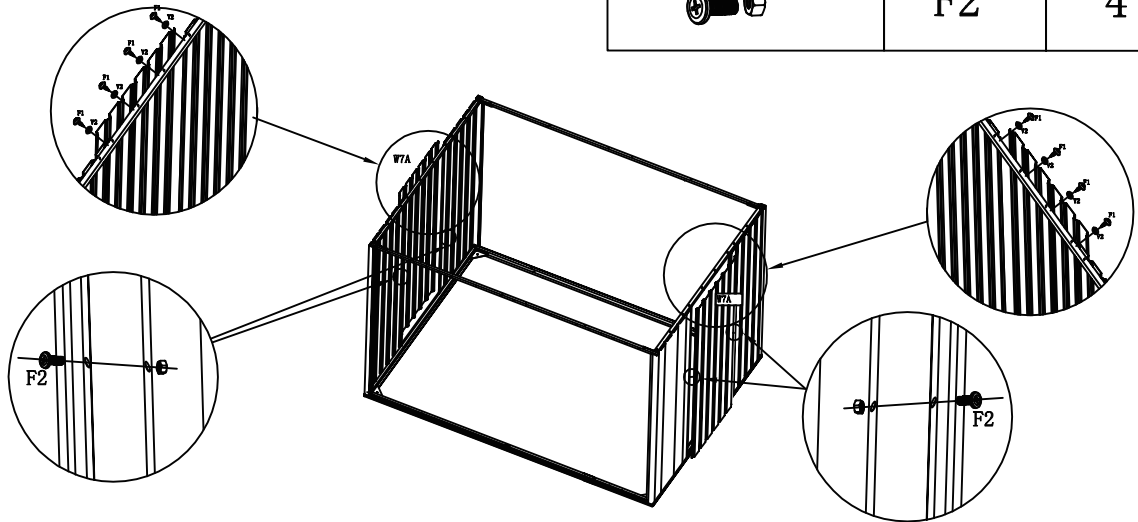
 Two adults are required.

PART	NO.	QTY.
	US1	2
	US3	2
	F1	28
	V2	28
	C2	4

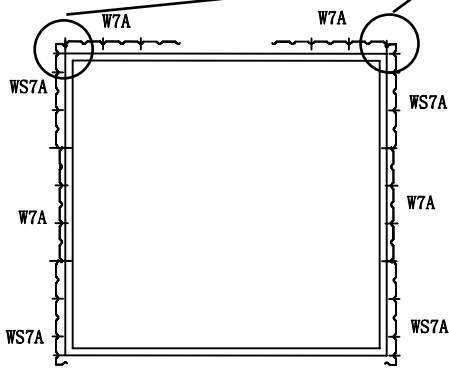




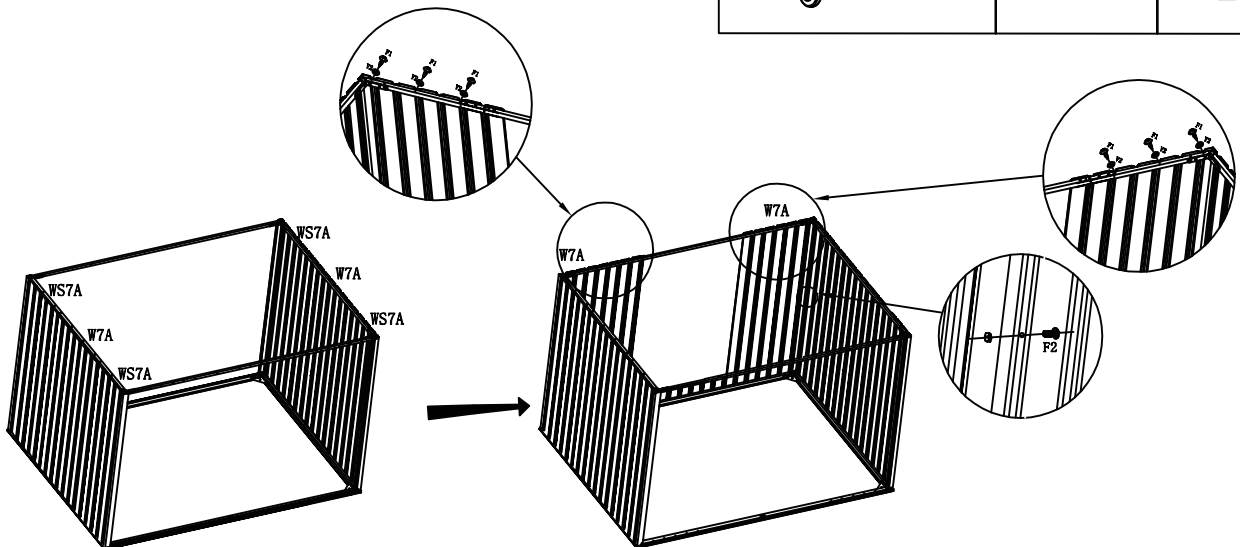
PART	NO.	QTY.
	W7A	2
	V2	16
	F1	16
	F2	4

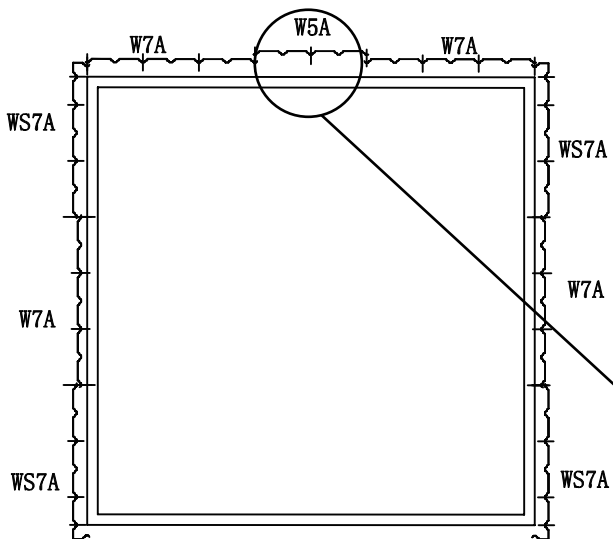






Directly covering the excess parts of the left and right panels.



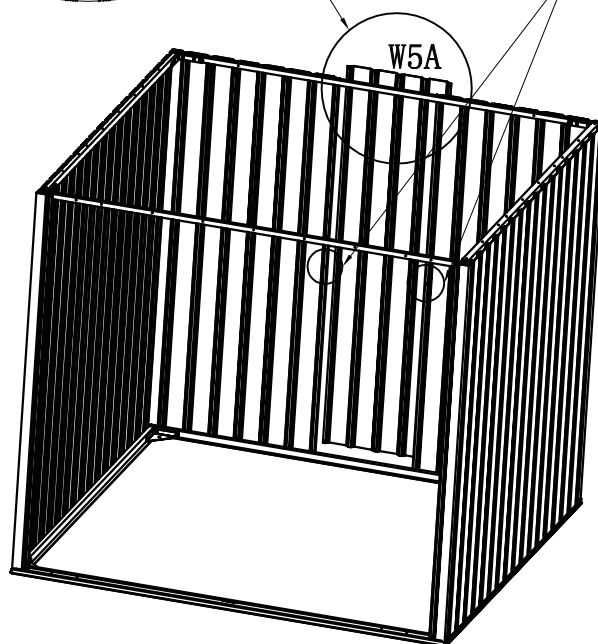
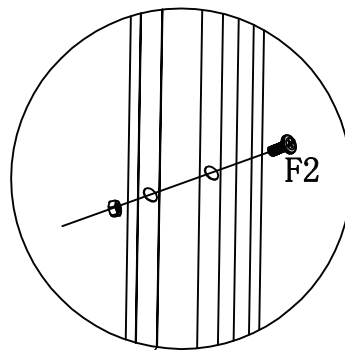
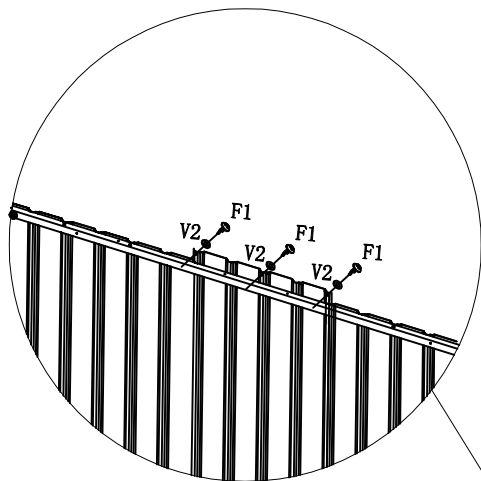
PART	NO.	QTY.
	W7A	2
	V2	12
	F1	12
	F2	2







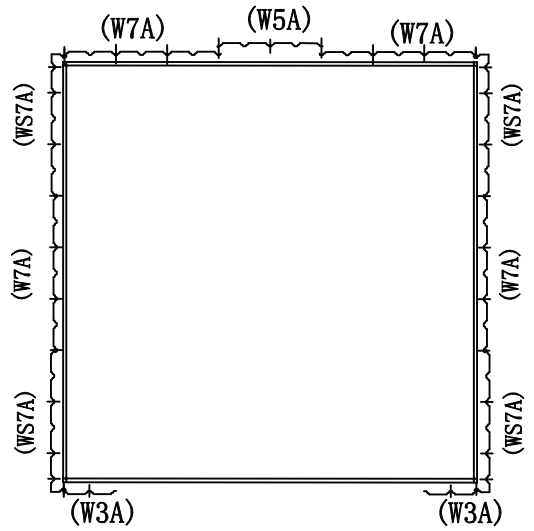
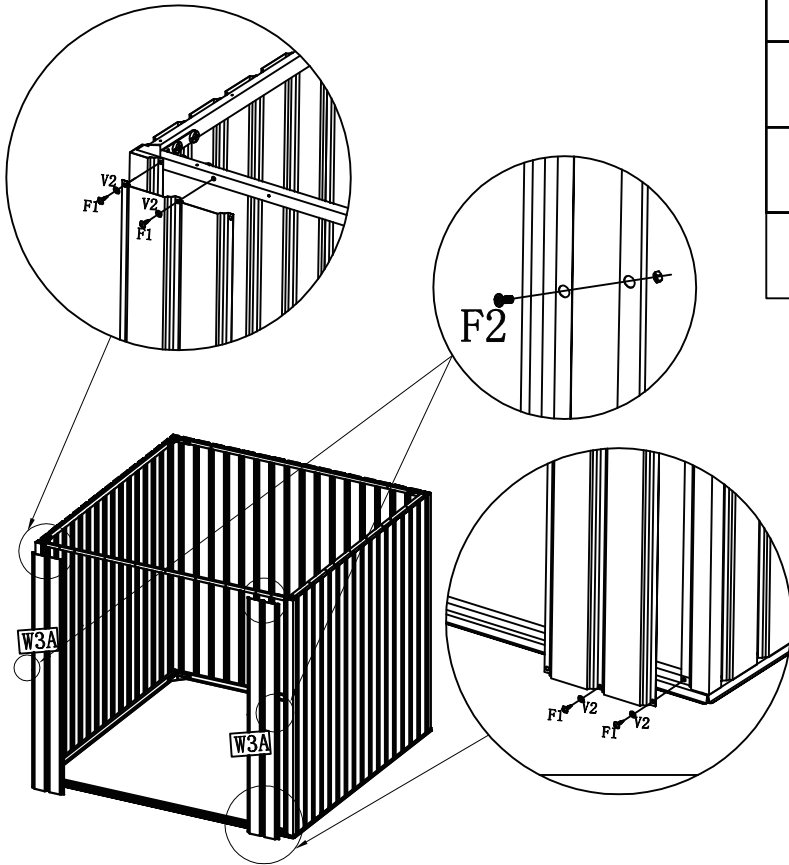






PART	NO.	QTY.
	W5A	1
	V2	6
	F1	6
	F2	2

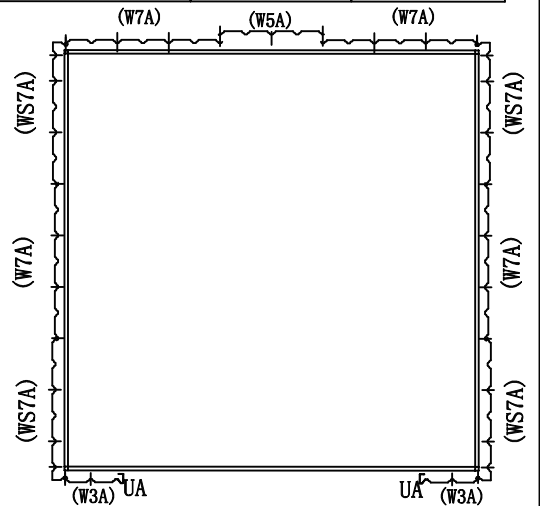
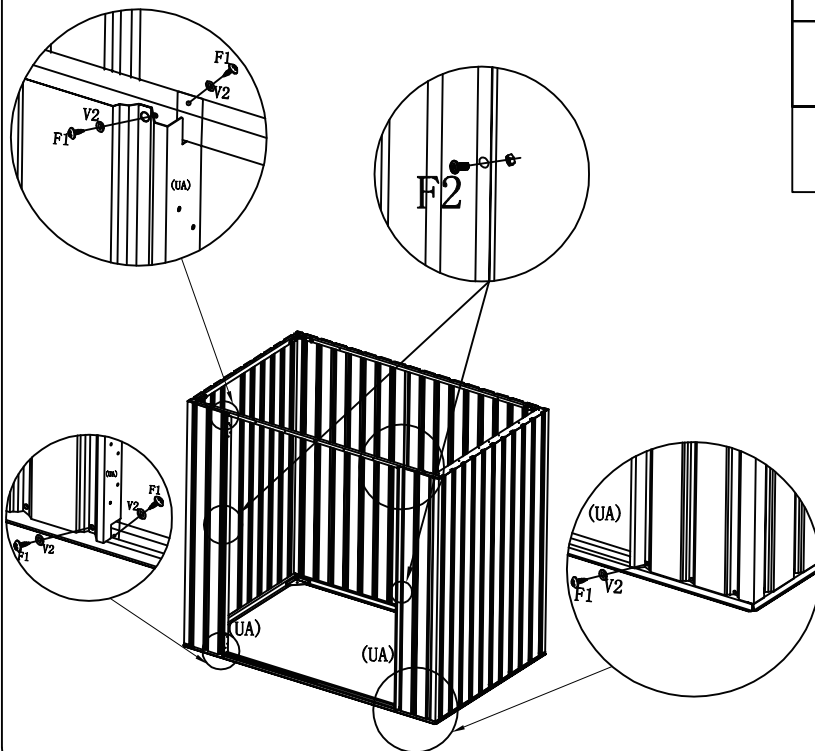
W7A should under W5A



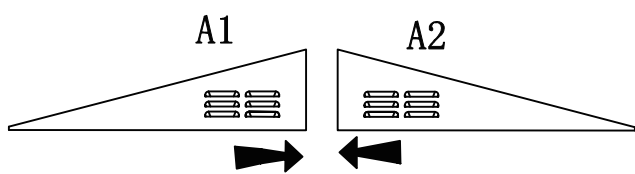
PART	NO.	QTY.
	W3A	2
	V2	8
	F1	8
	F2	2



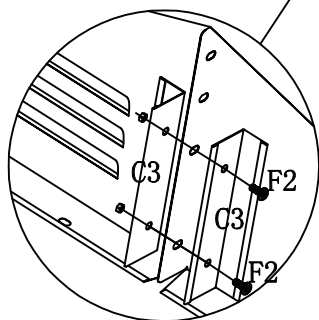
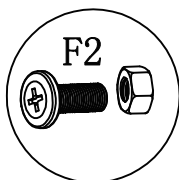
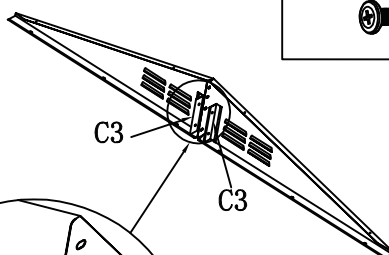
PART	NO.	QTY.
	UA	2
	V2	8
	F1	8
	F2	2



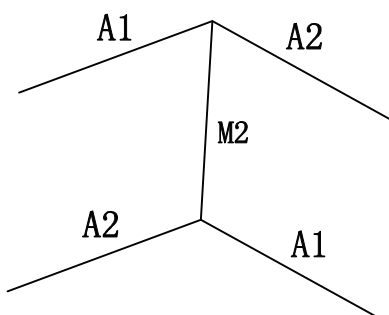
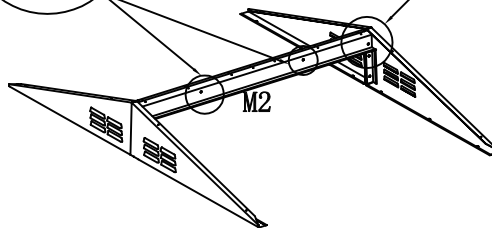
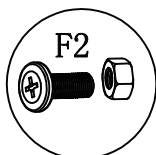
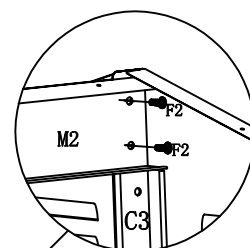
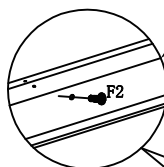
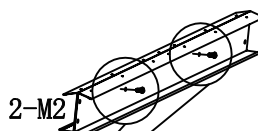
Shed Top Frame Assemble





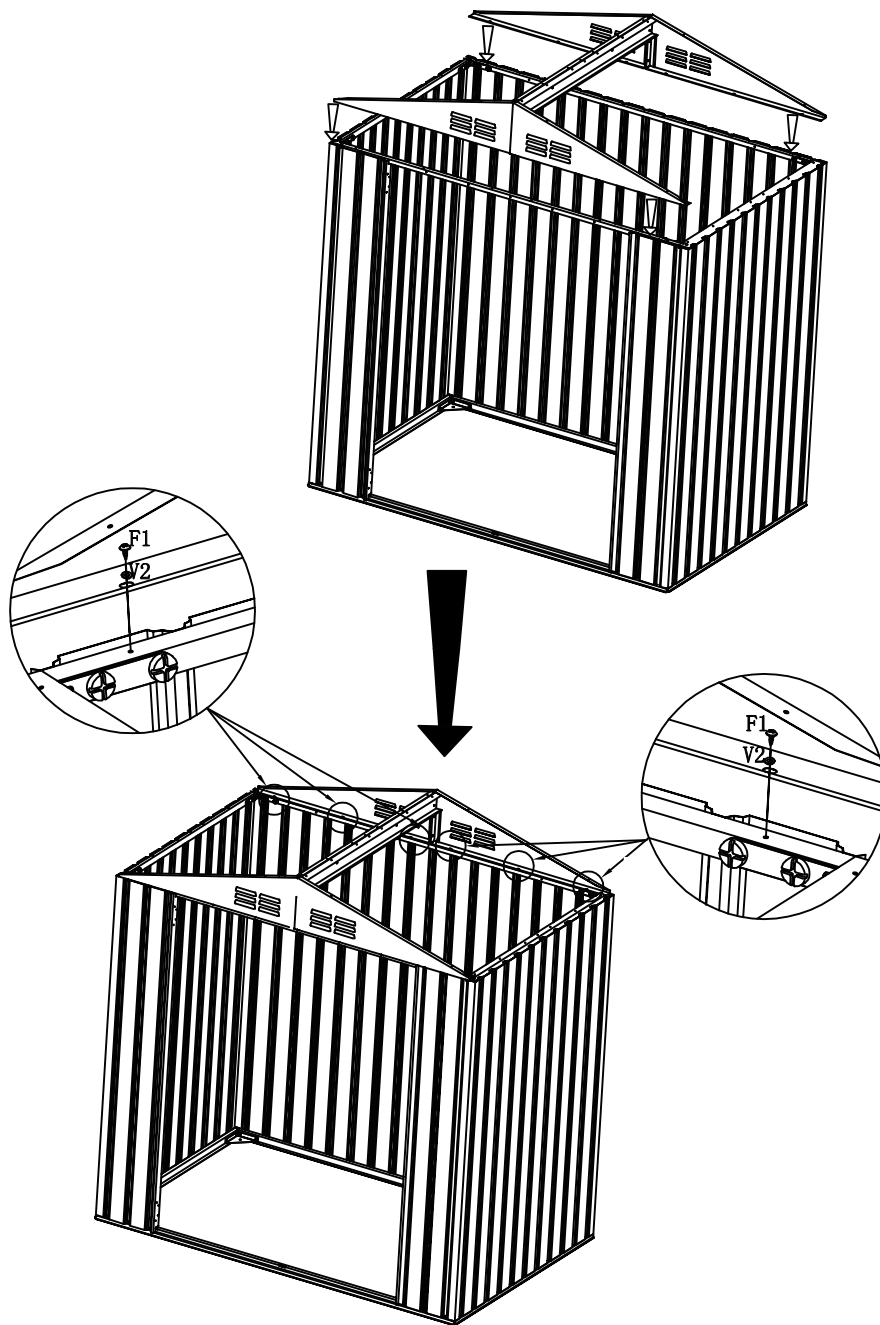
PART	NO.	QTY.
	A1	2
	A2	2
	C3	4
	F2	4



PART	NO.	QTY.
	M2	2
	F2	6



PART	NO.	QTY.
	V2	12
	F1	12

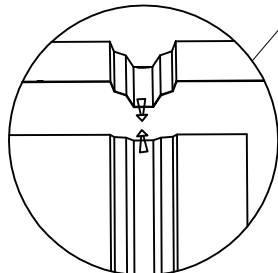
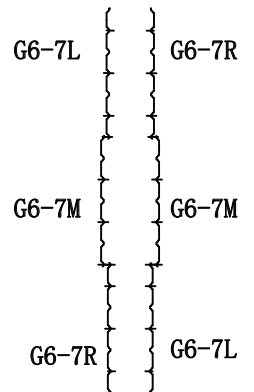
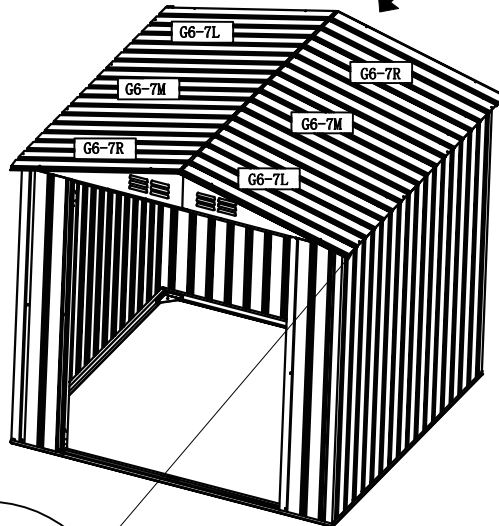
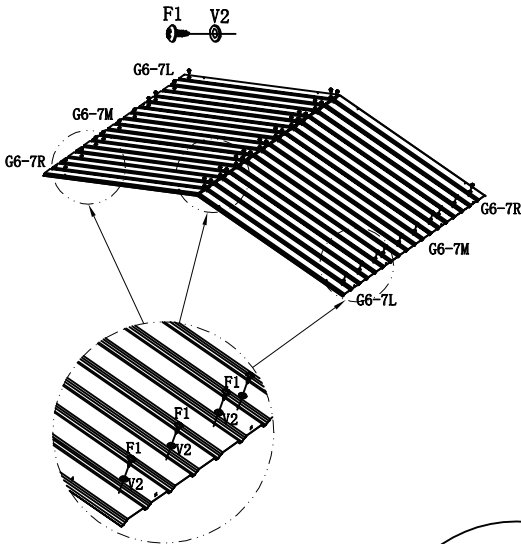
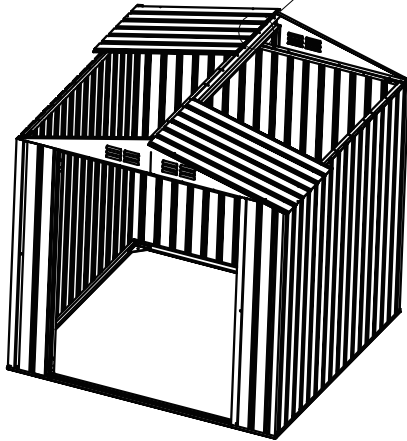
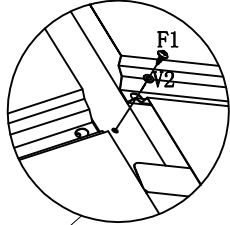


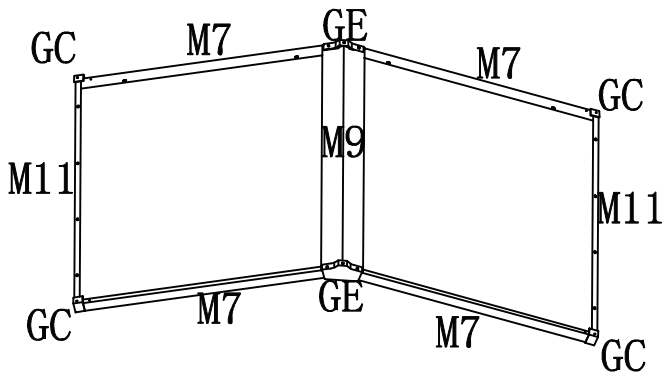
Shed Top Panels Assemble











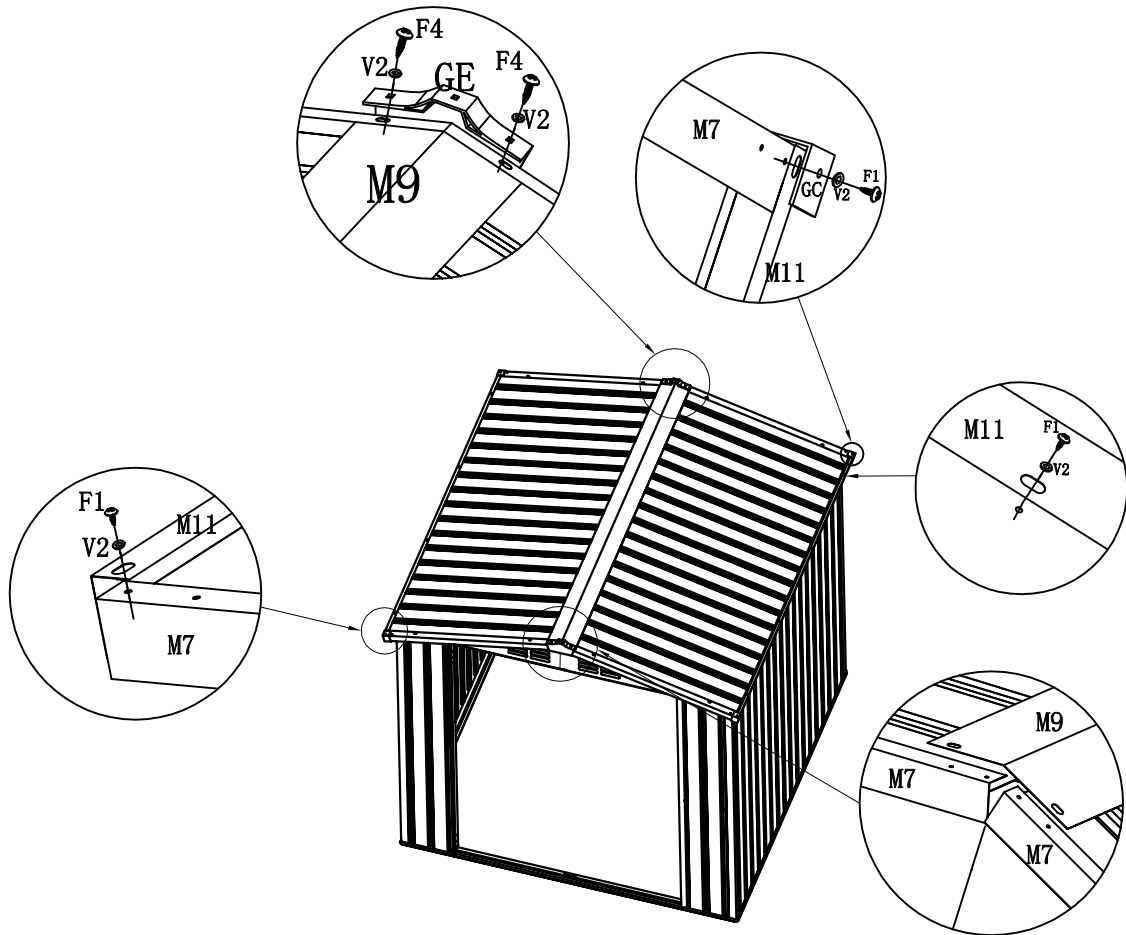
Please steady the ladder make sure the product placed on a flat ground.

PART	NO.	QTY.
	G6-7M	2
	G6-7L	2
	G6-7R	2
	F1	40
	V2	40





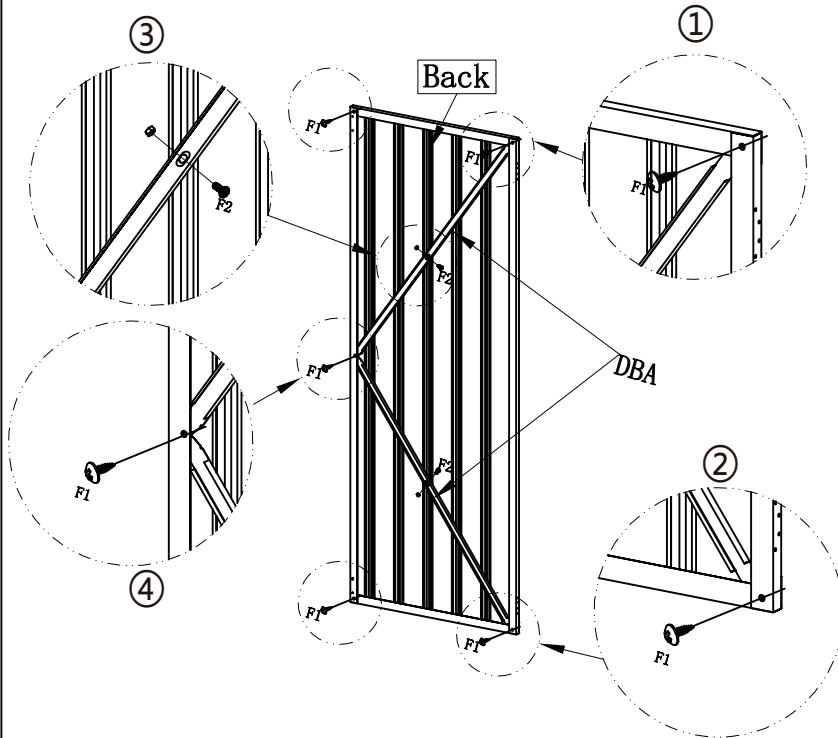
PART	NO.	QTY.
	M9	1
	M7	4
	M11	2
	GC	4
	GE	2
	F1	20
	V2	24
	F4	4



Door Assemble

DL View from the front, the vertical rod covers the horizontal rod. The larger hole is always covers over small ones.

PART	NO.	QTY.
	DA	1
	DLA	1
	DGA	1
	DDA	1
	DBA	2
	WD6A-L	1
	F1	9
	F2	2

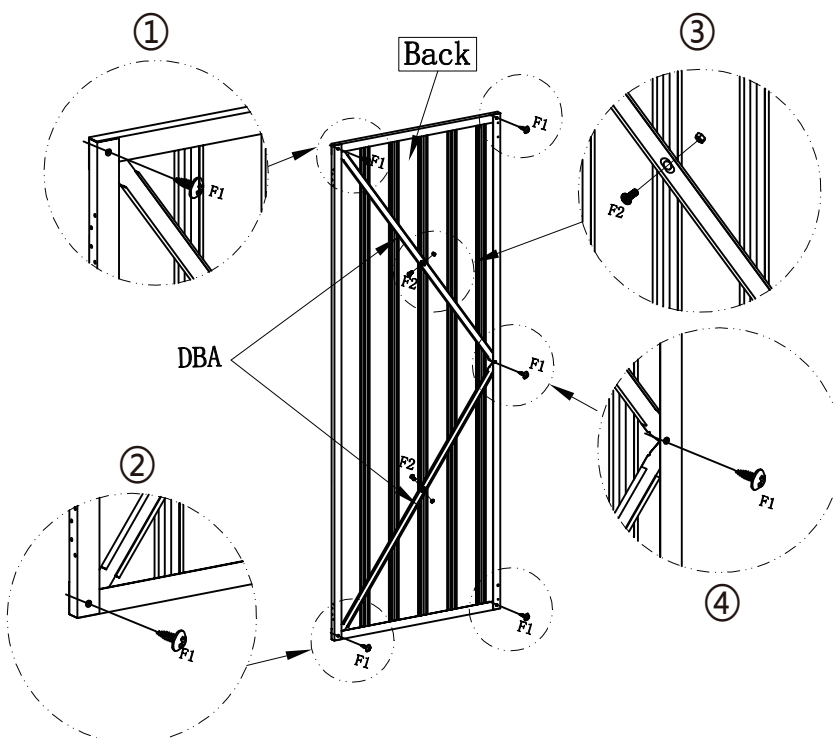


Please follow the steps of
①-②-③-④

The final fixation should be done after all parts are aligned

DR View from the front, the vertical rod covers the horizontal rod. The larger hole is always covers over small ones.




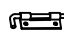




PART	NO.	QTY.
	DA	1
	DRA	1
	DGA	1
	DDA	1
	DBA	2
	WD6A-R	1
	F1	9
	F2	2

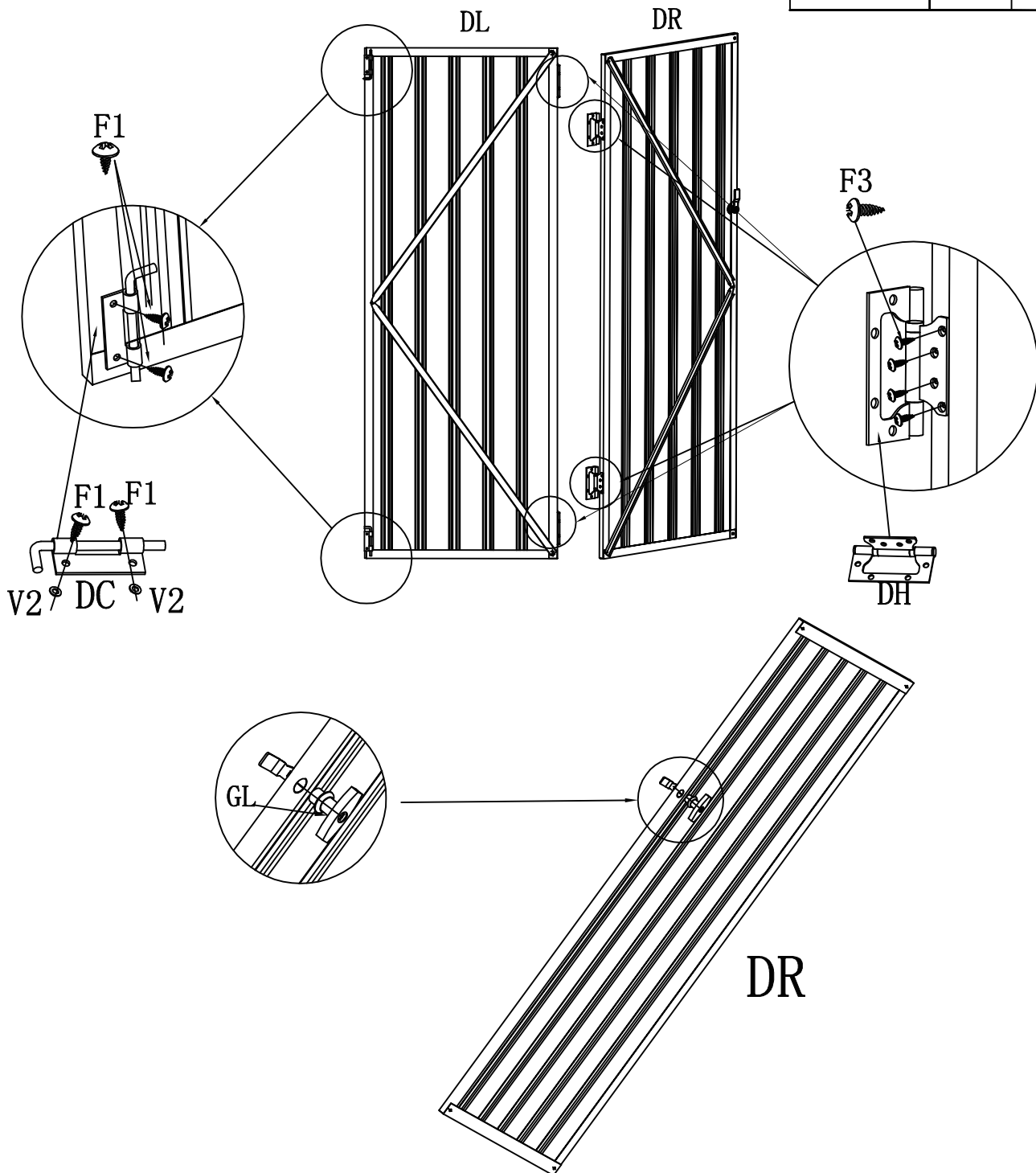


Please follow the steps of
①-②-③-④




The final fixation should be done after all parts are aligned

The Left or Right is seen from the outside.

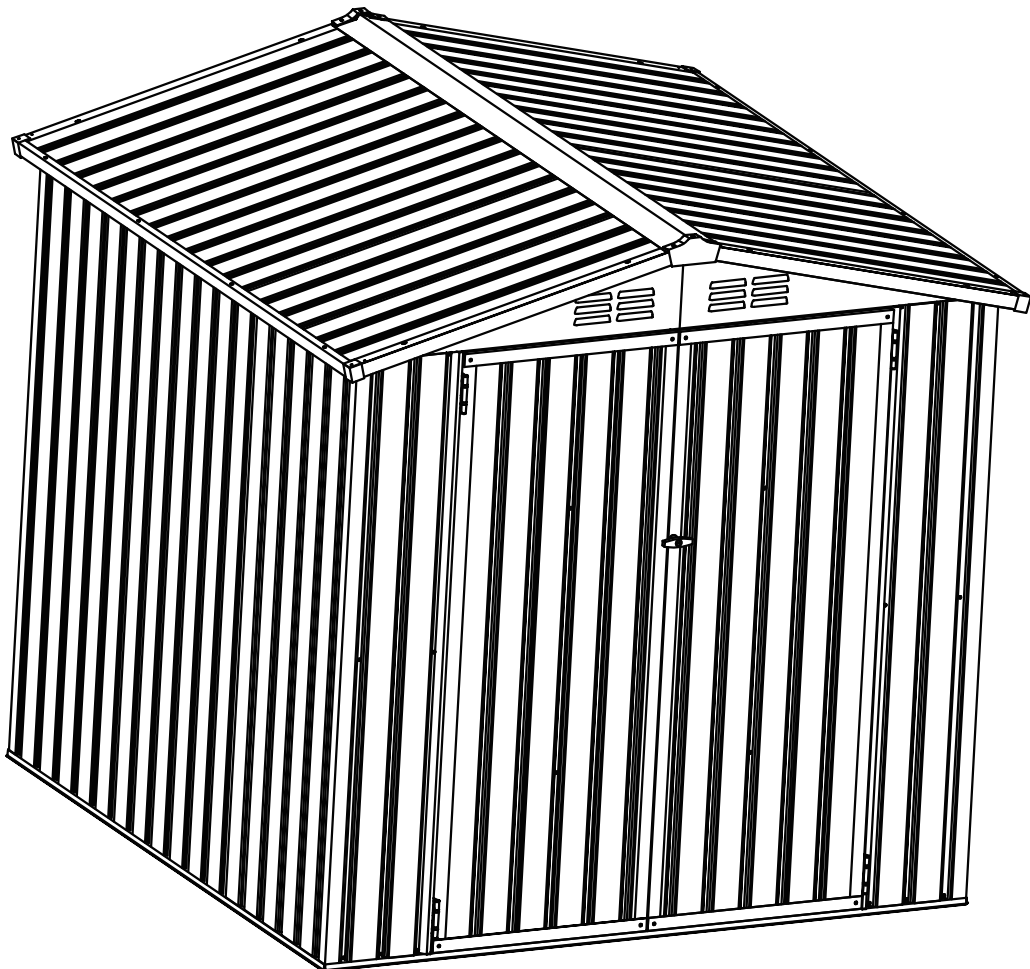
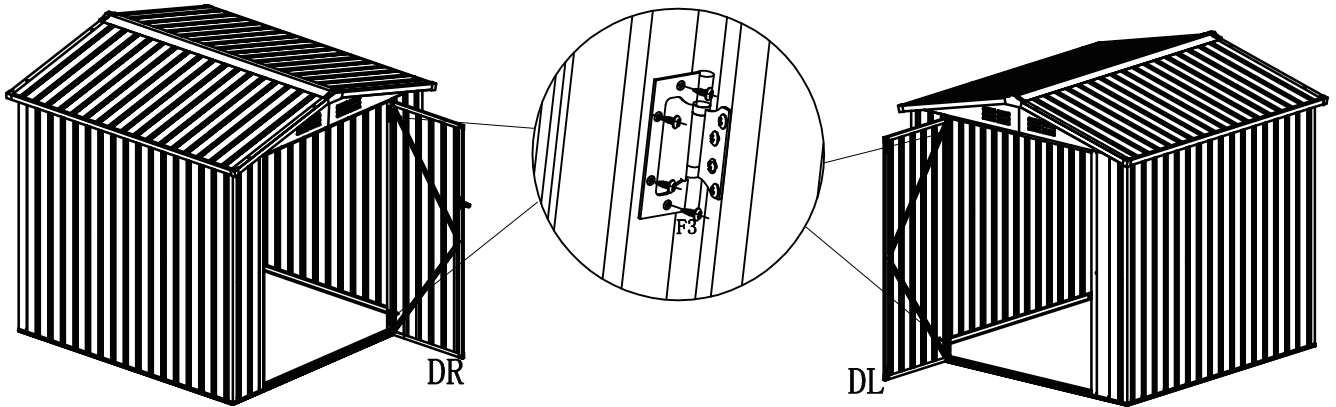
PART	NO.	QTY.
	DL	1
	DR	1
	DH	4
	DC	2
	F3	16
	GL	1
	F1	4
	V2	4




The large piece needs to be installed on UA. (Wall side)

PART	NO.	QTY.
	DL	1
	DR	1
	F3	16

F3



PART	NO.	QTY.
	SL	36

