

# Assembly Instructions

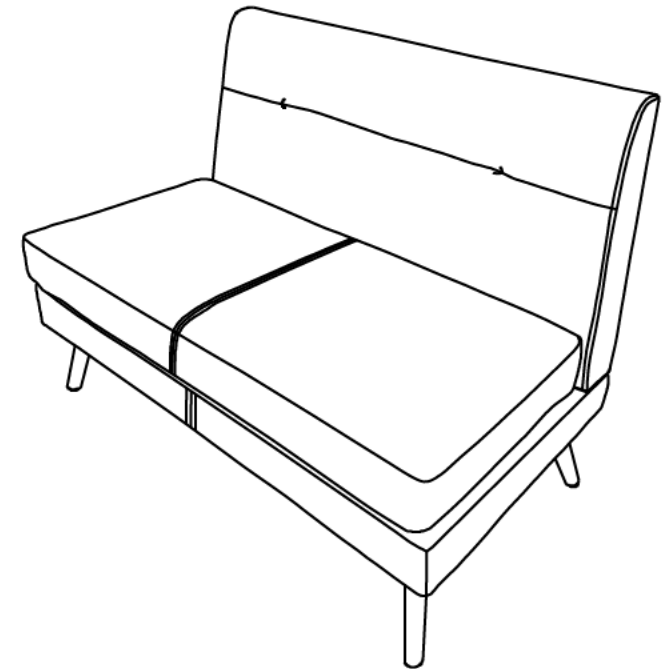
⚠ Before you throw the carton, please ensure that you have all the parts needed for the assembly.

⚠ **Hardware Note:**

1. For each step please don't fully tighten all the screws at first, when they all align to the holes you can fully tighten them.

2. All the bolts should be assembled **vertically** to the holes.

⚠ **Spare parts** can be found in the hardware box if you do not have enough bolts for assembly.

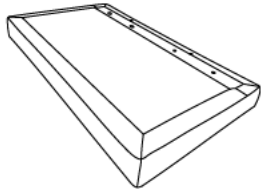


# Assembly Instructions

## Parts and Hardware

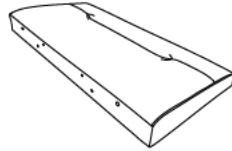
Please check to make sure you have all parts and hardware before starting assembly process.

Ⓐ



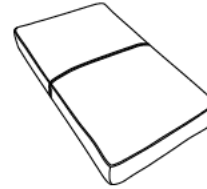
**Seat frame 1pc**

Ⓑ



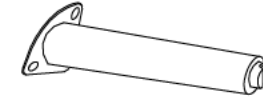
**Back 1pc**

Ⓒ



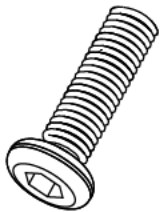
**Seat cushion 1pc**

Ⓓ



**Leg 4pcs**

①



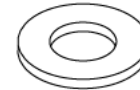
**Long bolt 6 pcs**

②



**Short bolt 12 pcs**

③



**Flat washer 6 pcs**

④



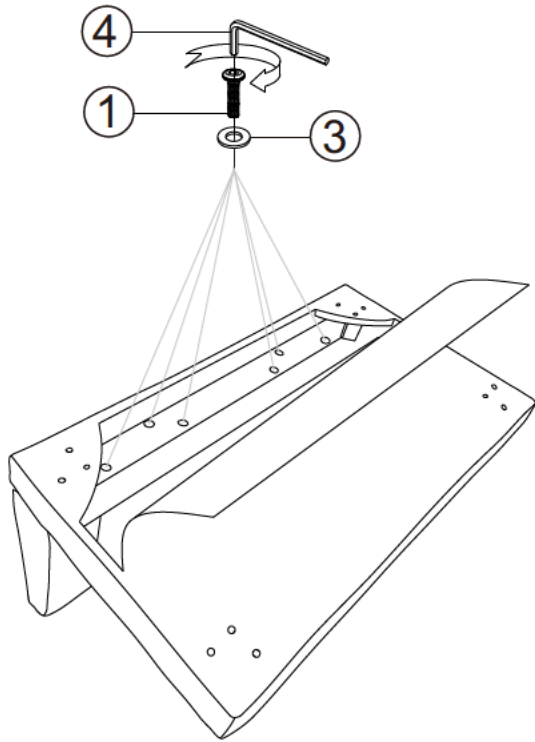
**Allen wrench 1pc**

# Assembly Instructions

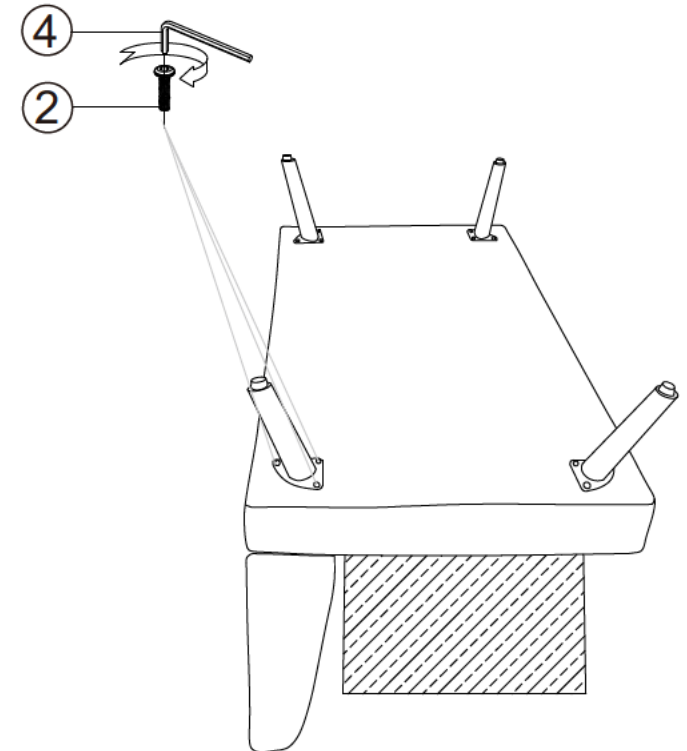
## Assembly Instructions

**Do not tighten any single bolt until all bolts are assembled.**

Step 1: Put back on seat and using the bolts to assemble. Half tighten all the bolts until they are align to the holes then fully tighten them by the short side of wrench.



Step 2: Assemble legs to the bottom of seat using short bolts.



# Assembly Instructions

## Assembly Instructions

Do not tighten any single bolt until all bolts are assembled.

Step 3: Put seat cushion on the top of seat frame.

