









Read this instruction carefully. See hardware and furniture part list for guidance. Be sure all parts are complete, before you assemble. Place all wooden furniture parts on a clean and flat soft surface to prevent from being scratched. Follow the figure to start assembling.

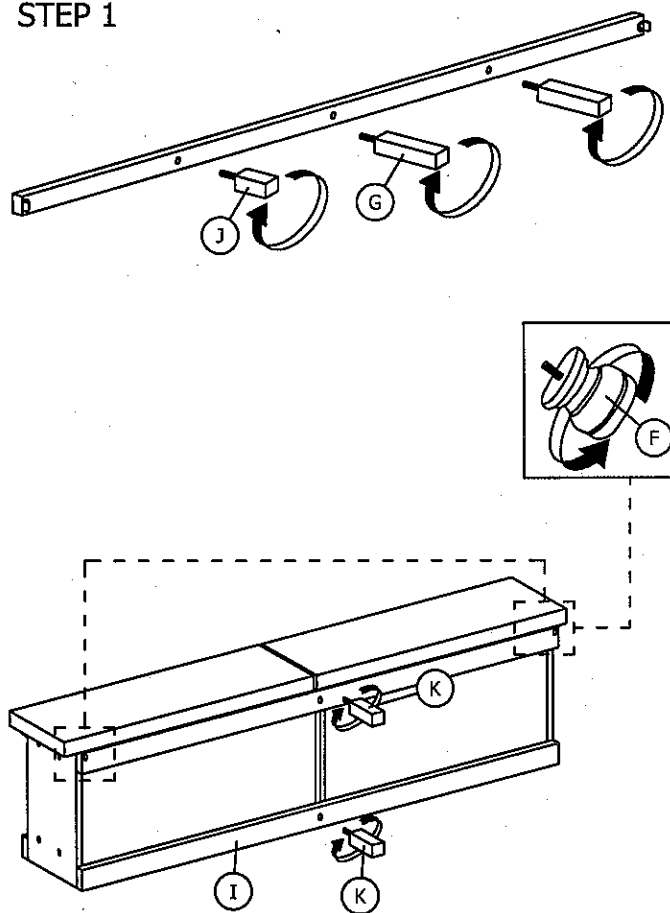
- CAUTIONS :**
1. Do not FULLY - TIGHTEN the nut or nut bolt until all nut or bolt is ready assembled.
 2. Do not OVER - TIGHTEN the nut or bolt to avoid causing damages to the thread.
 3. Keep all hardware parts out of reach of children.

NOTE : THE LIST AND QUANTITY SHOWN ARE FOR 1 UNIT ASSEMBLY.

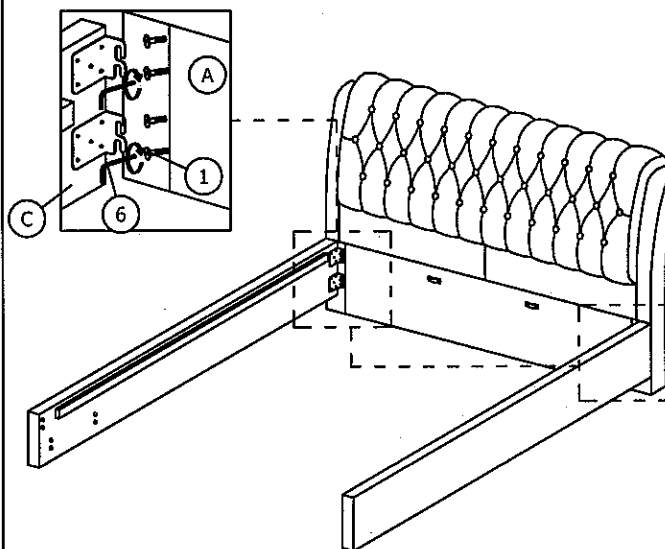
PART LIST		
ITEM	DESCRIPTION	QTY
A	HEADBOARD	1 PC
B	FOOTBOARD	1 PC
C	SIDE RAIL	2 PCS
D	CENTER RAIL	2 PCS
E	CENTER SUPPORT	3 PCS
F	BED LEG	2 PCS
G	CENTER SUPPORT LEG (LONG)	4 PCS
H	BED SLAT	39 PCS
I	DRAWER BOX	1 PC
J	CENTER SUPPORT LEG (SHORT)	2 PCS
K	DRAWER BOX SUPPORT LEG	2 PCS

PART LIST		
ITEM	DESCRIPTION	QTY
1	JCBB BOLT M8 x 30MM 	12 PCS
2	JCBC BOLT M6 x 45MM 	8 PCS
3	WOOD SCREW M3.5 x 16MM 	12 PCS
4	BED SLAT CENTER FITTER 	26 PCS
5	BED SLAT SIDE FITTER 	26 PCS
6	M5 ALLEN KEY 	1 PC
7	M4 ALLEN KEY 	1 PC
8	M6 FLAT WASHER 	8 PCS

STEP 1

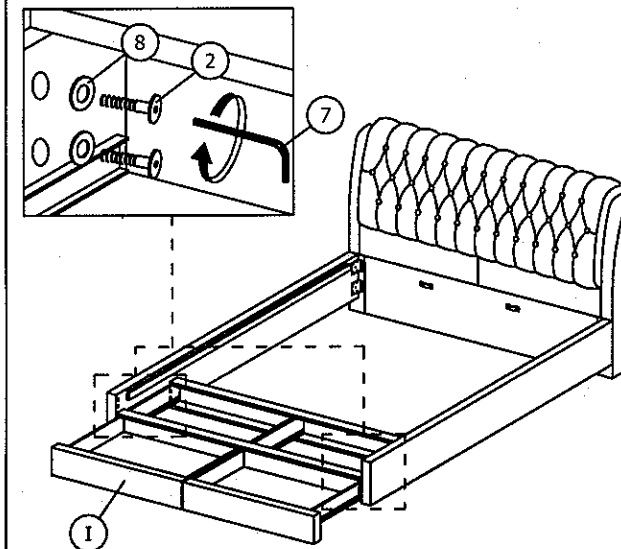


STEP 2



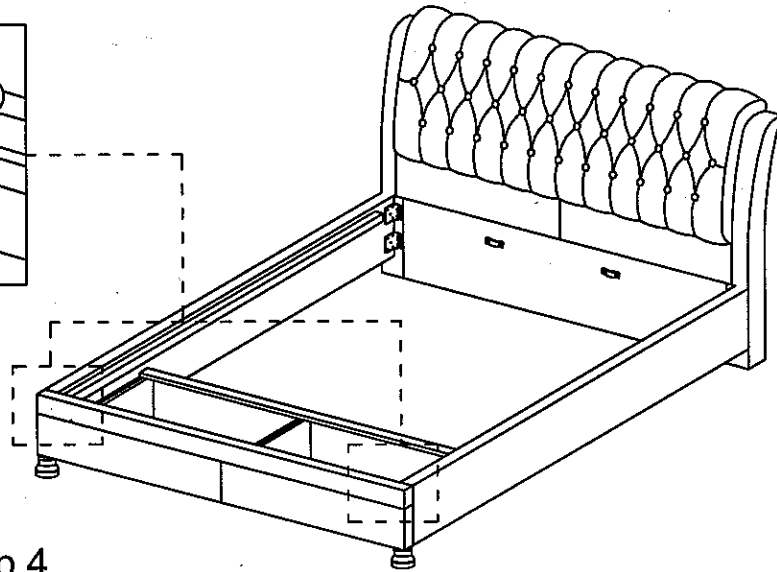
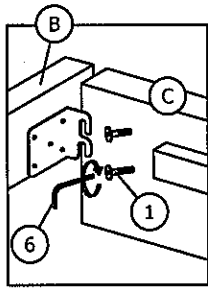
STEP 3

Don't screw tied



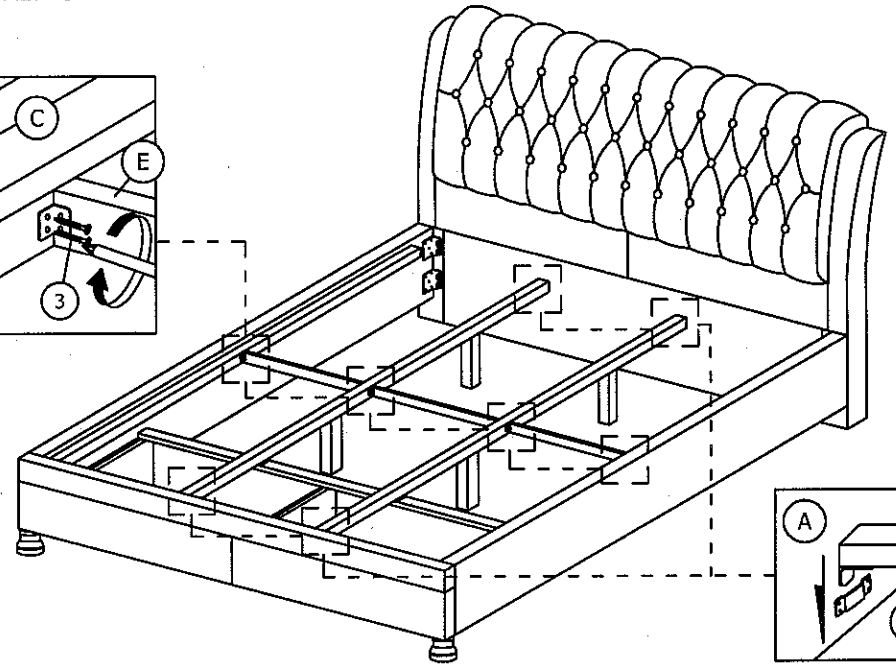
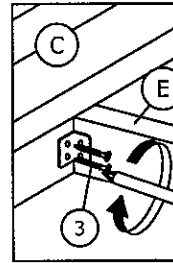
ASSEMBLY INSTRUCTIONS

STEP 4

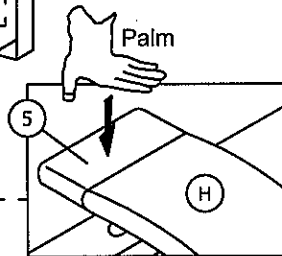
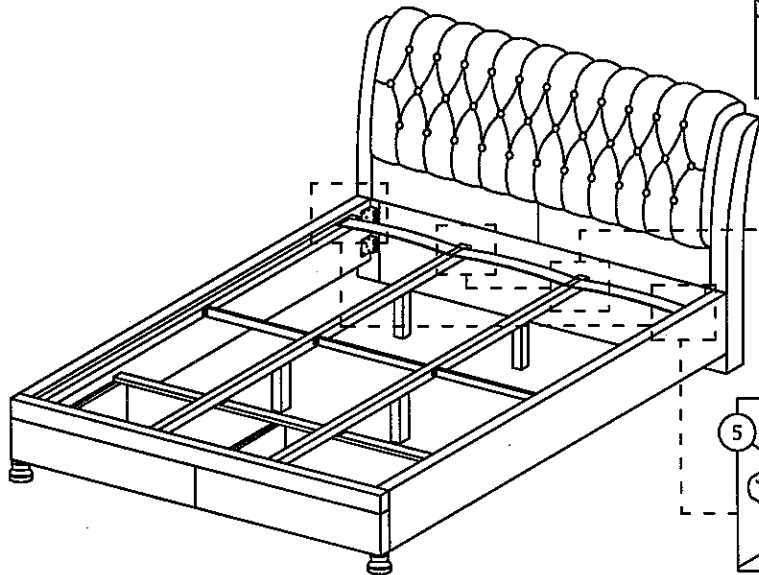
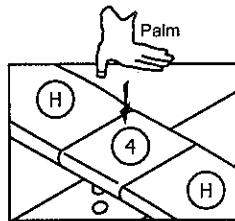


****Finish step 4,
Please screw tied the step 3 bolt.**

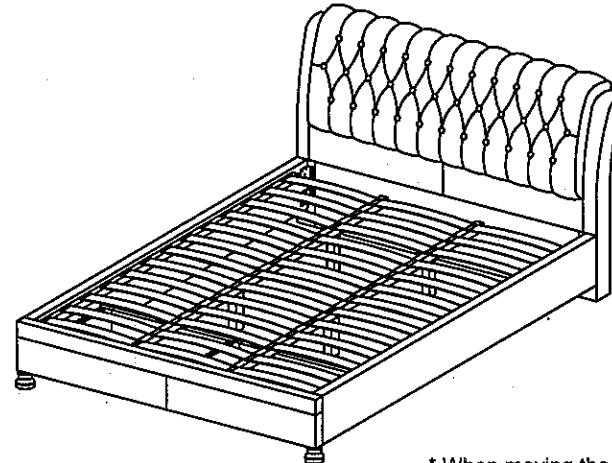
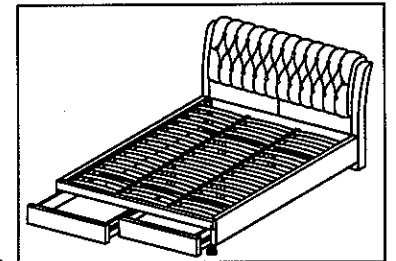
STEP 5



STEP 6



STEP 7



*** When moving the bed position, the center support legs
must be adjust to be straight to avoid any broken problem.**