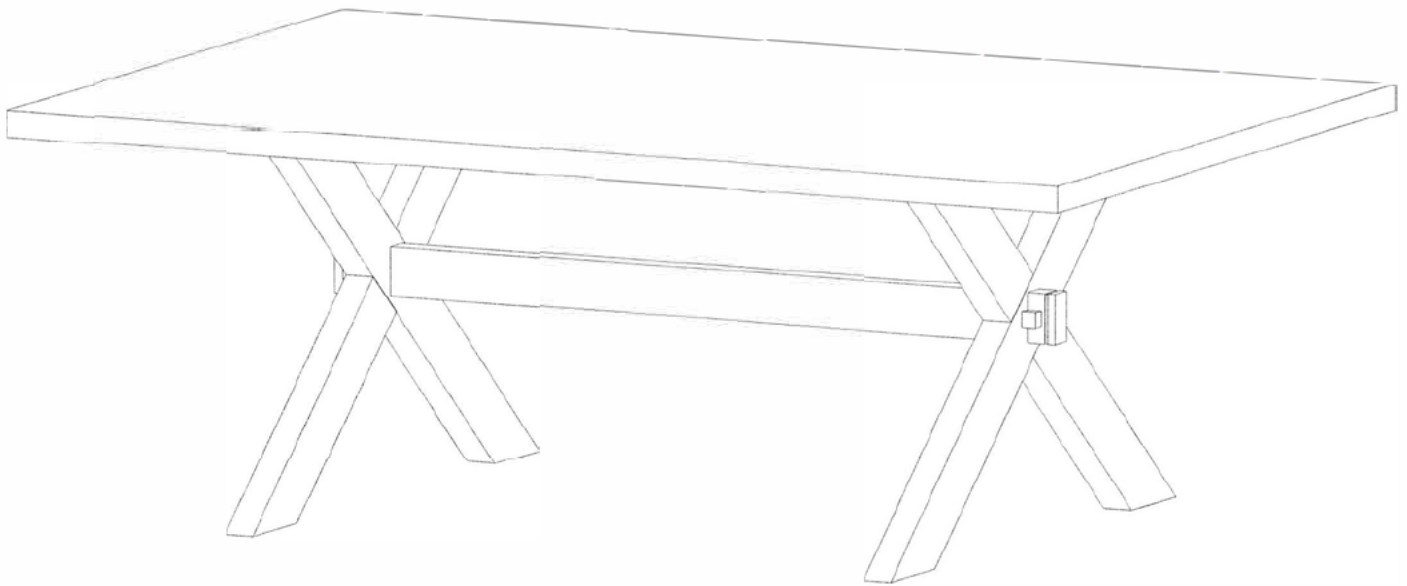


ASSEMBLY INSTRUCTIONS



Description : Dining Table

Product Dimension : 60"W x 36"D x 30"H

Cube Size : 62.9 IN x 38.9 IN x 3.5 IN

(TOP)

NW: 61.6 LBS

GW: 70.4 LBS

Cube Size : 37.7 IN x 12 IN x 5.5 IN

(Base)

NW: 26.4 LBS

GW: 29.7 LBS

Description : Dining Table

Product Dimension : 40"W x 72"D x 30"H

Cube Size : 74.9 IN x 42.8 IN x 3.5 IN

(TOP)

NW: 81.4 LBS

GW: 90.2 LBS

Cube Size : 49.9 IN x 12 IN x 5.5 IN

(Base)

NW: 27.5 LBS

GW: 30.8 LBS

BEFORE ASSEMBLY

Thank you for purchasing this quality product. This product has been designed for easy assembly and constructed for durability. Please take the time to read and follow the assembly instructions carefully.

Be sure to check all packing material carefully for small parts which may have come loose inside the carton during shipment. Please separate, identify, and count all parts and metal hardware. Compare with part list to be sure all parts are present.

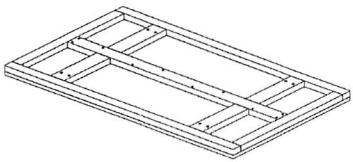
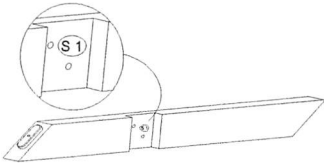
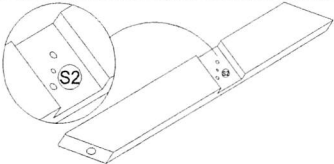
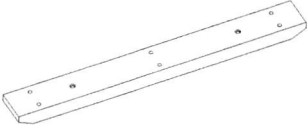

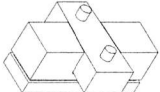
If hardware is missing or you have difficulty assembling this product, please call for us.

IMPORTANT NOTE:

- Place all wooden parts on a clean and smooth surface such as a rug or carpet to avoid the parts from being scratched.
- Remove all wrapping material, including staples & packing straps before you start to assemble.
- DO NOT tighten all screws and bolts until completely assembled.
- Keep all hardware parts out of reach of children.

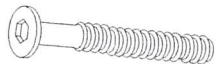


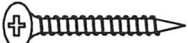


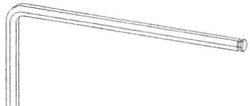
PART LIST

When unpacking, please be careful not to discard any parts with the packaging. Before continuing, please make sure you have the following parts:

NO	Description	Qty	Sketch	NO	Description	Qty	Sketch
A	Top	1		B	Table Leg S1	2	
C	Table Leg S2	2		D	Side Bar	2	
E	Cross bar	1		F	Snap leg	2	

HARDWARE LIST

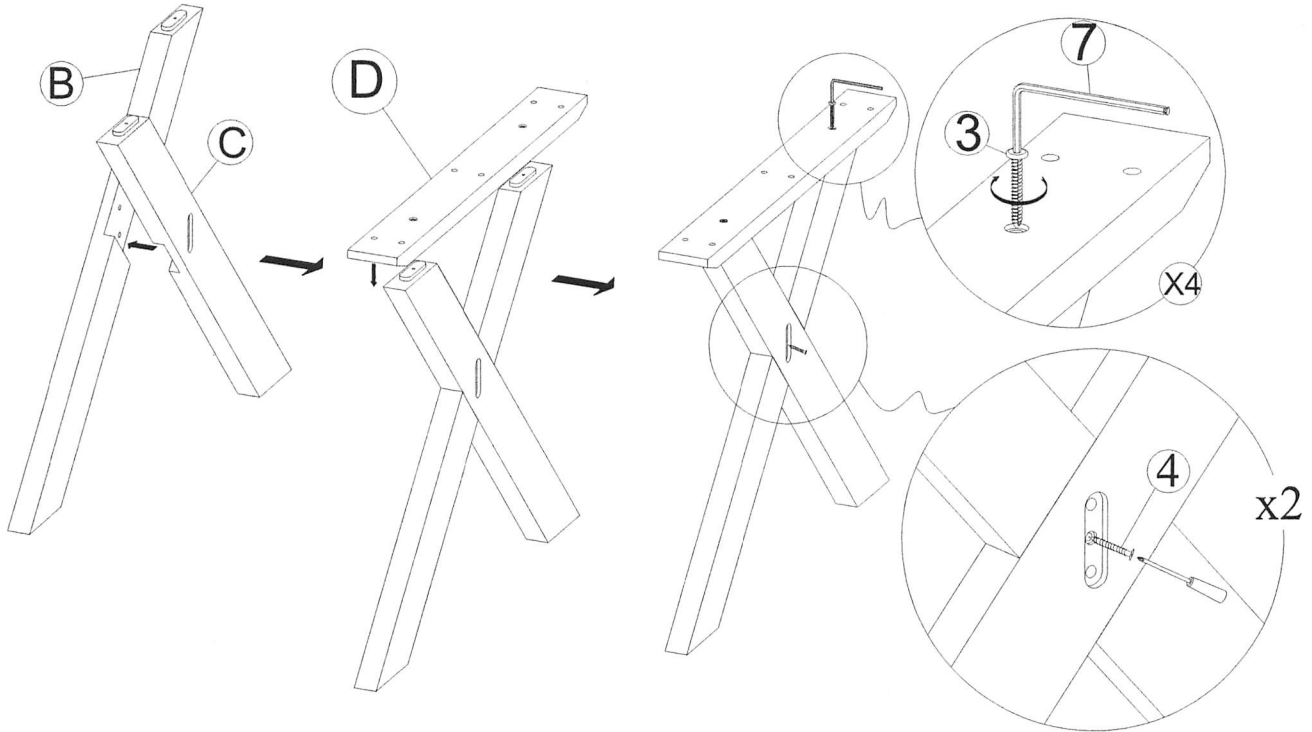
When unpacking, please be careful not to discard any parts with the packaging. Before continuing, please make sure you have all of the following hardware:

NO	Description	Qty	Sketch	NO	Description	Qty	Sketch
1	Long Bolt (M6x60)	4		2	Short Bolt (M6x50)	12	
3	Botl Screw (M7x50)	4		4	Screw (M4x25mm)	2	
5	Lock washer (Φ6.5xΦ9mm)	12		6	Flat Washer (Φ6.5xΦ19mm)	12	
7	Allen key (M4mm)	1					

STEP 1

Attach Legs S1 (B) to Legs S2 (C) and Side bar (D) with Bolt Screw (3) Tighten with the Allen Key (7). Use a screw driver to tighten the screws (4) as shown below.

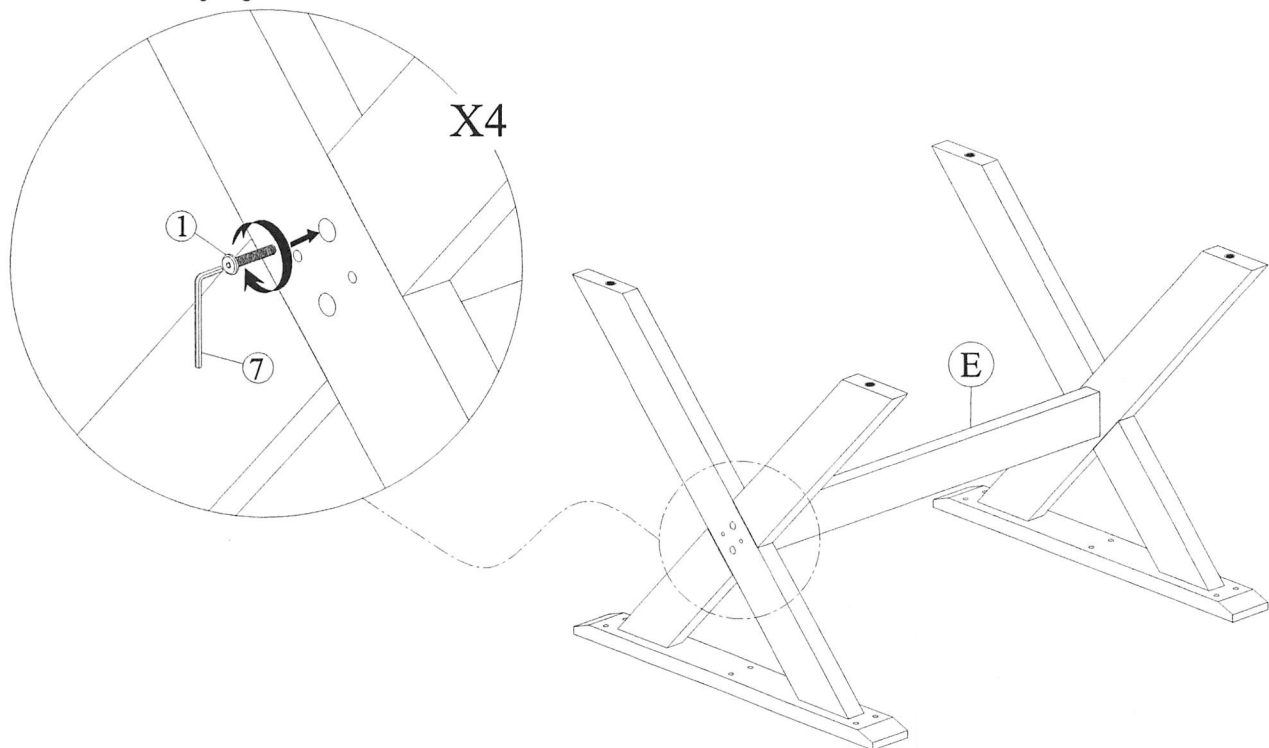
Note: Fully tighten all bolts and screws to complete Step 1.



STEP 2

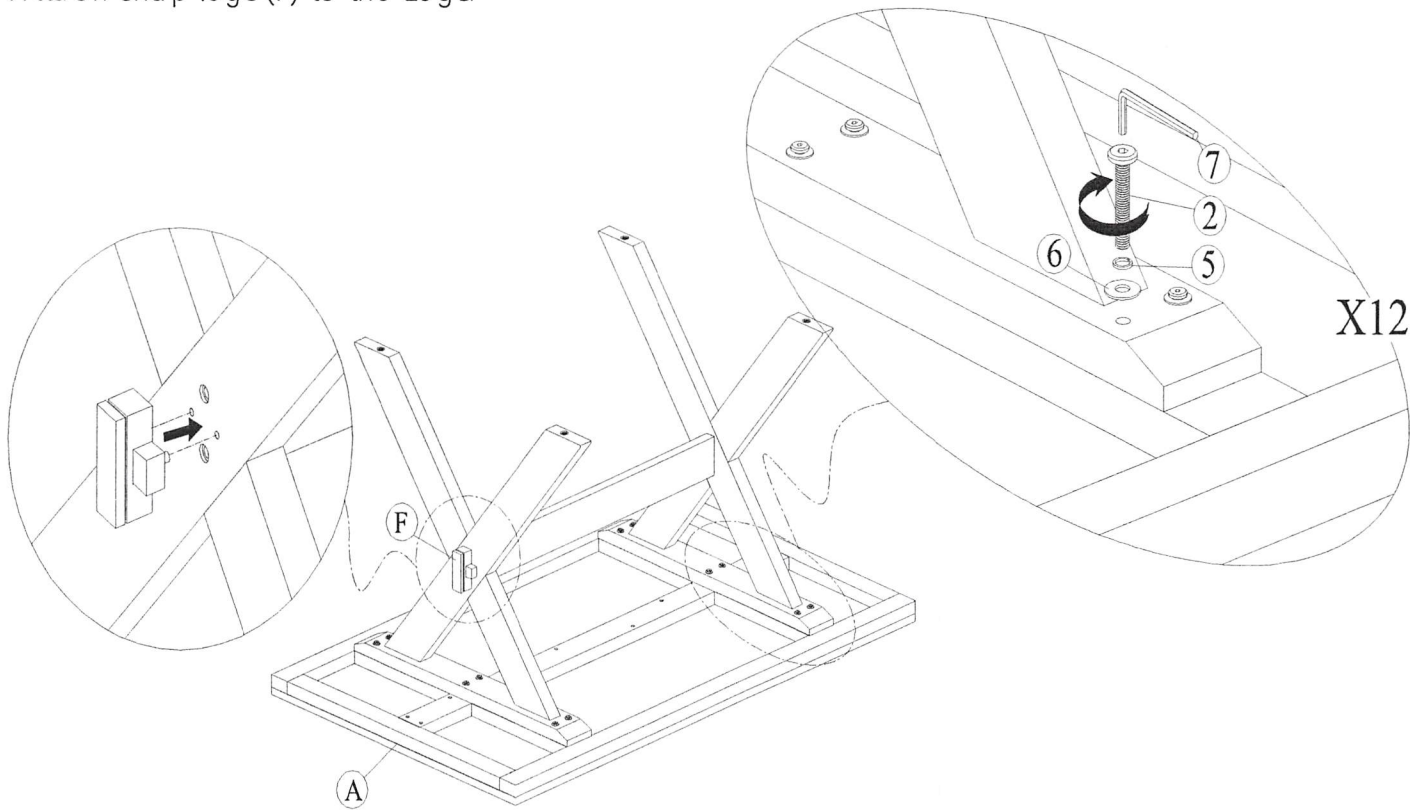
Attach the Legs assembled in Step 1 to the Cross bar (E) with Bolts (1). Tighten with the Allen Key (7).

Note: DO NOT fully tighten these bolts until the table is assembled.



STEP 3

Attach 2 legs assembled in Step 2 to the Top (A) with Bolts (1) and washers (5), (6). Tighten with the Allen Key (7). Please check to make sure the table is level before fully tightening all bolts. Attach Snap legs (F) to the Legs.



STEP 4

Assembly Complete

