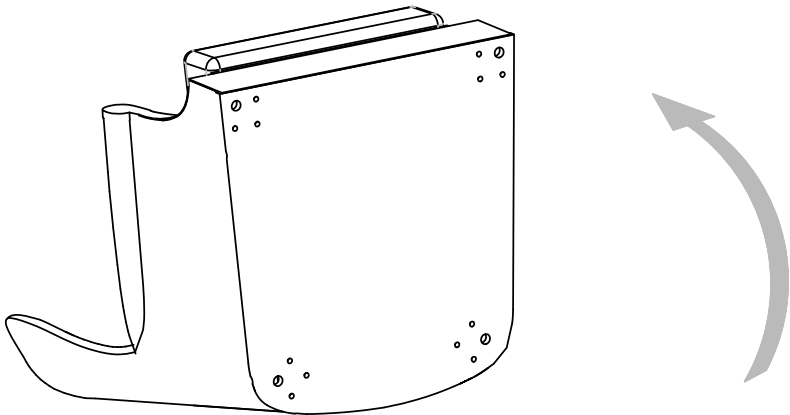


Leg Assembly Instructions

STEP

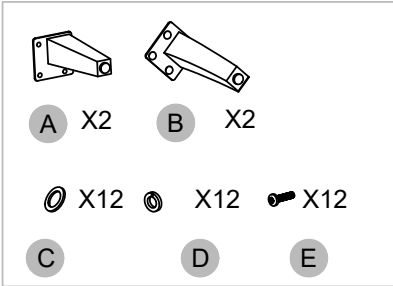
1



STEP

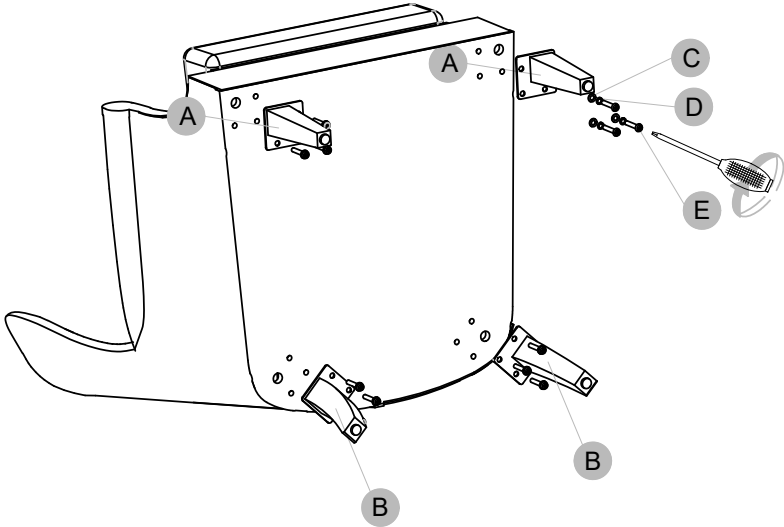
2

Unpack the parts package.



STEP

3



STEP

4

