

# Assembly Instruction

## Double Reclining Love Seat

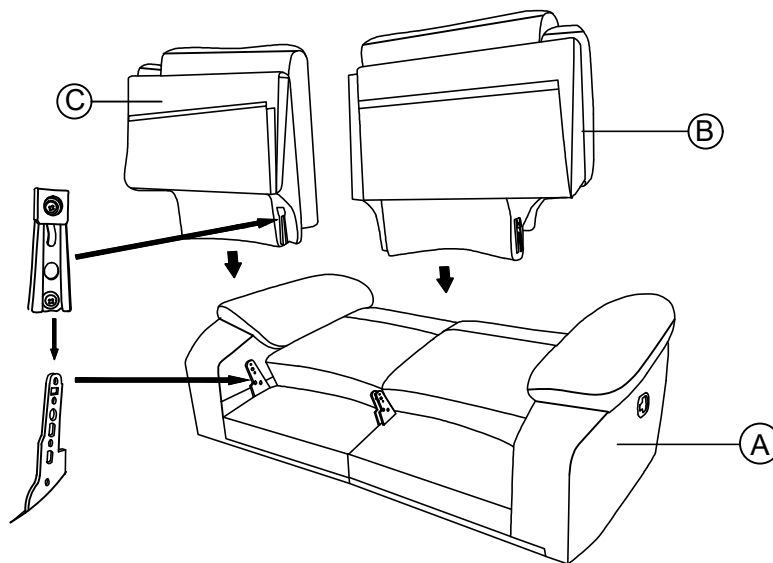


Note: Do not use power tools for assembly. Power tools increase the risk of over tightening which lead to splitting or cracking the wood.

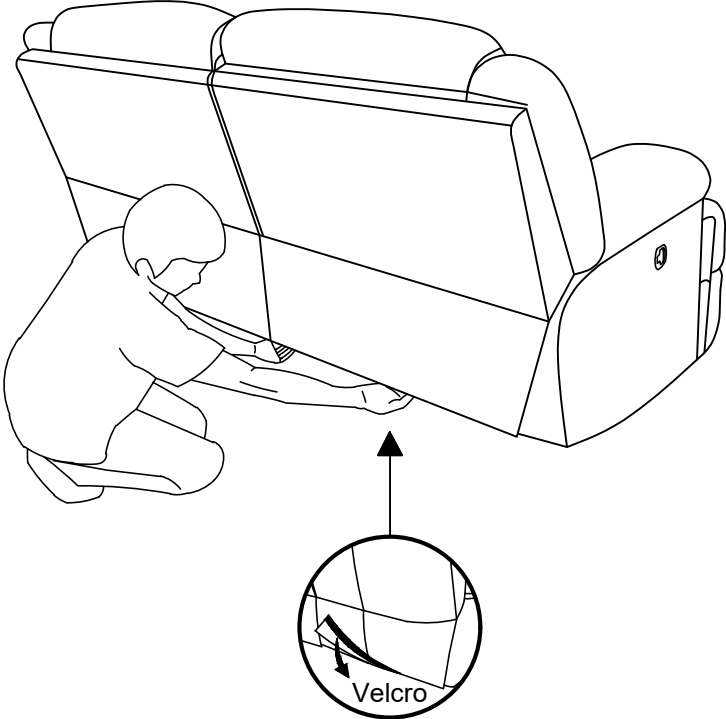
### Component list

No.	Drawing	Description	Qty
A		Seat	1 PC
B		LSF Backrest	1 PC
C		RSF Backrest	1 PC

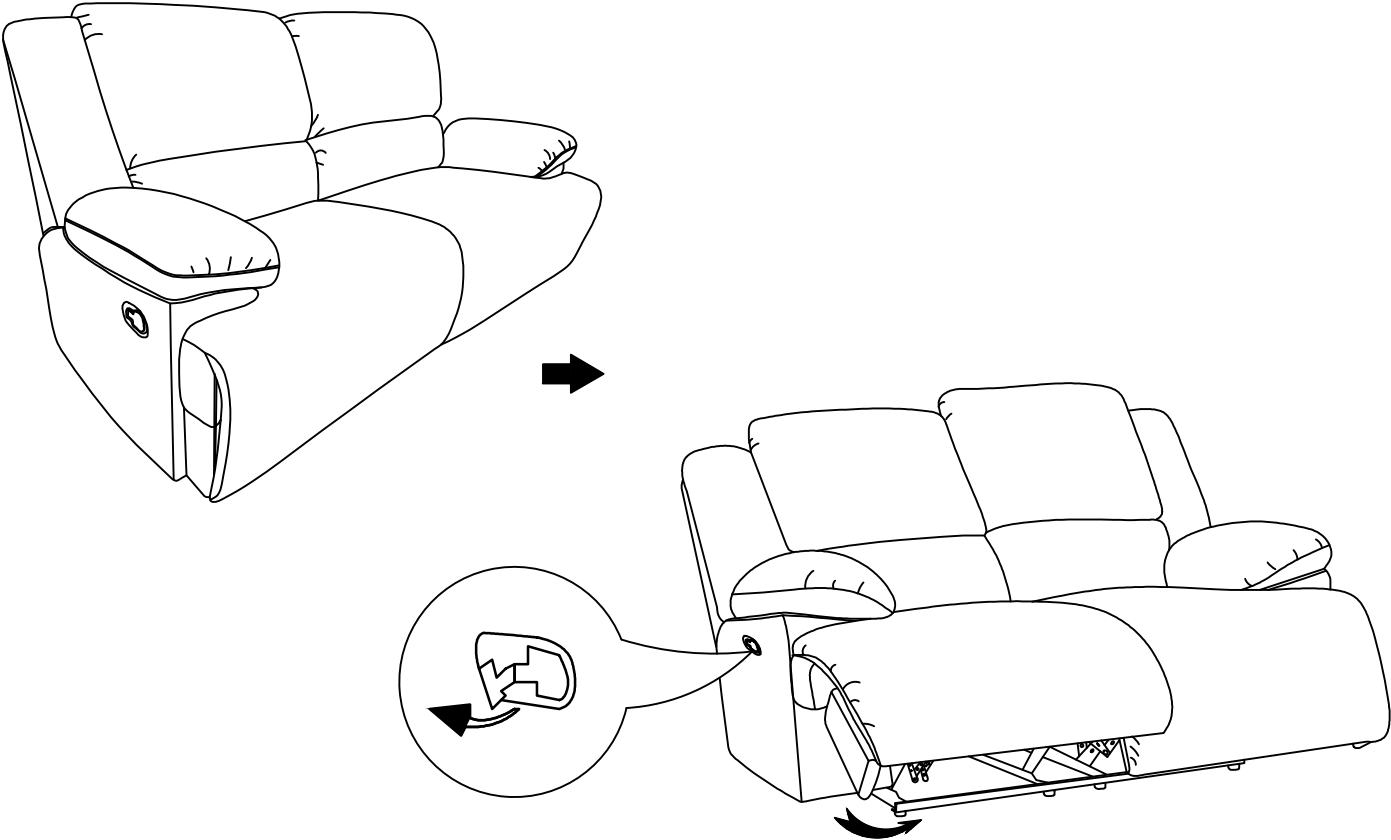
### STEP #1



STEP #2

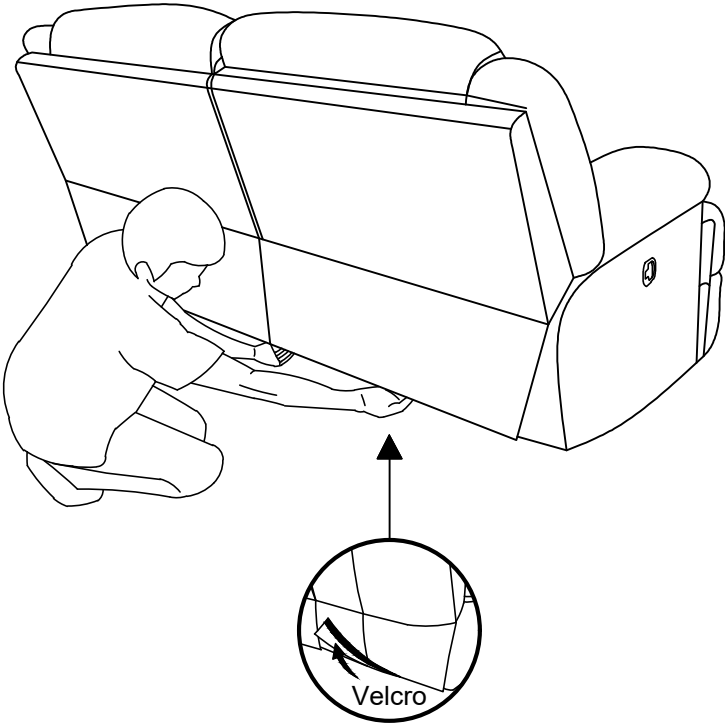


COMPLETED

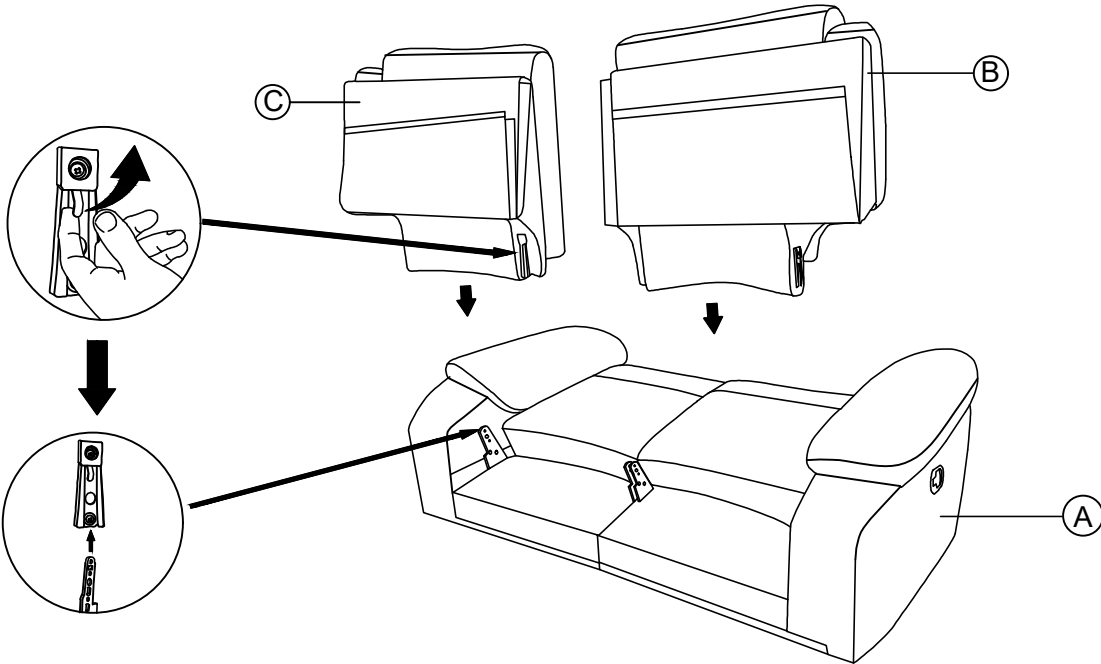


# Disassemble the back

## STEP #1 Back Rest remove



STEP #2 To unlock the back of the recliner from its base, push up on the small metal hook built into the side of the recliner



**Care Instruction for Textured microfiber Furniture:**

In order to maintain the original appearance of your Textured microfiber Furniture, please follow below simple care procedures:

- Avoid exposing furniture directly to sunlight or heating and air conditioning outlets. Sunlight and/or exposure to heating and air conditioning outlets will fade/damage Textured microfiber.
- Vacuum or wipe with a soft cloth to remove dust.
- Hardware may loosen over time. Periodically check to make sure all connections are tight, Re-tighten if necessary.



For items use on wooden floor, hard surfaces or carpets, it is recommended to install protective pads under all legs and supports to avoid/prevent from damages/scratches and discoloration.