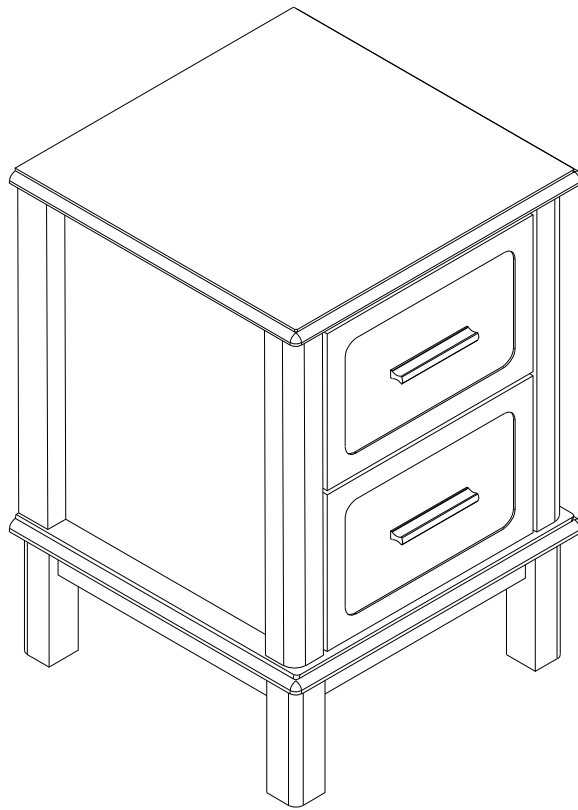
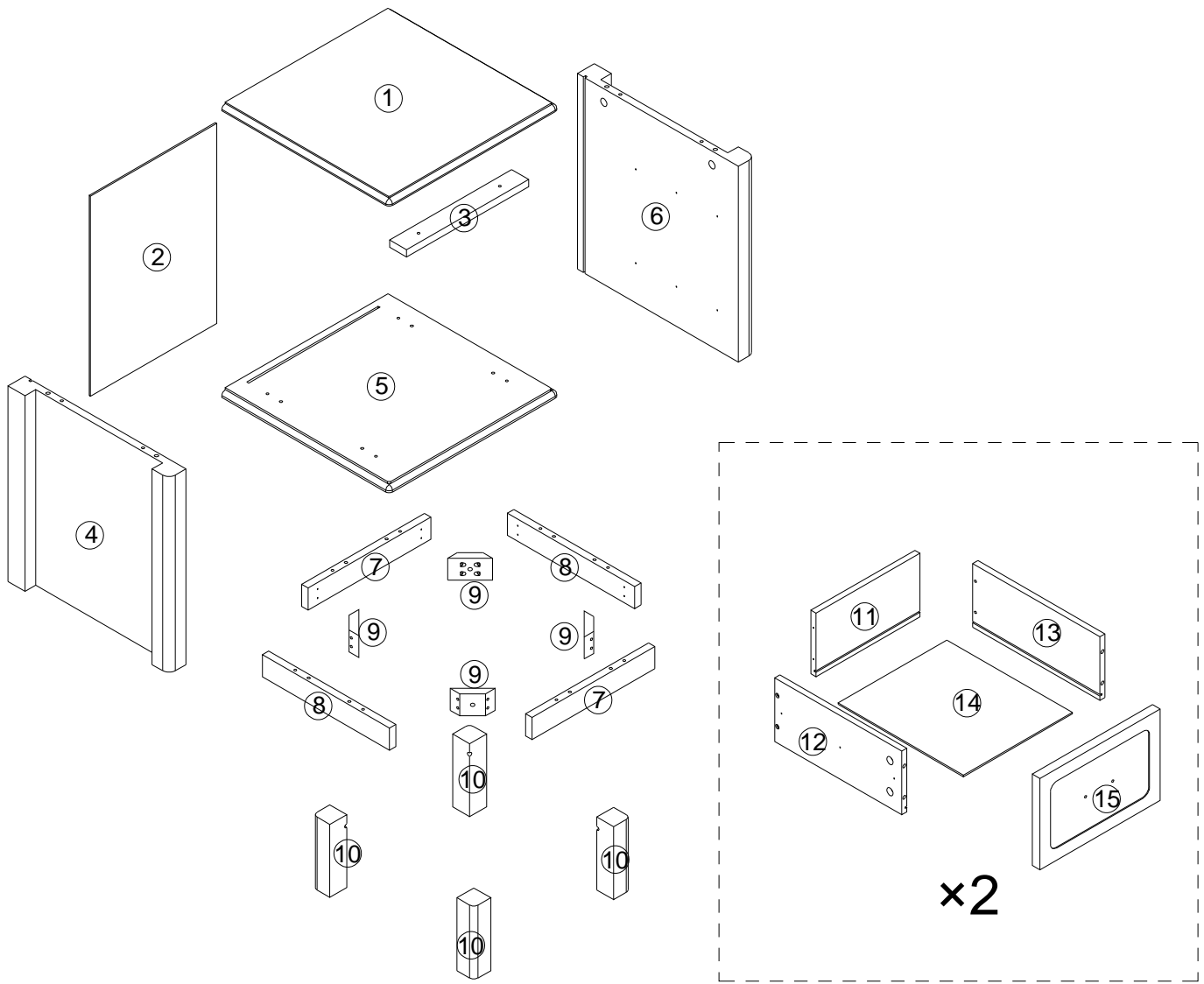









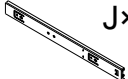








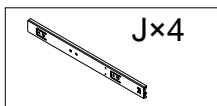
ASSEMBLY INSTRUCTION



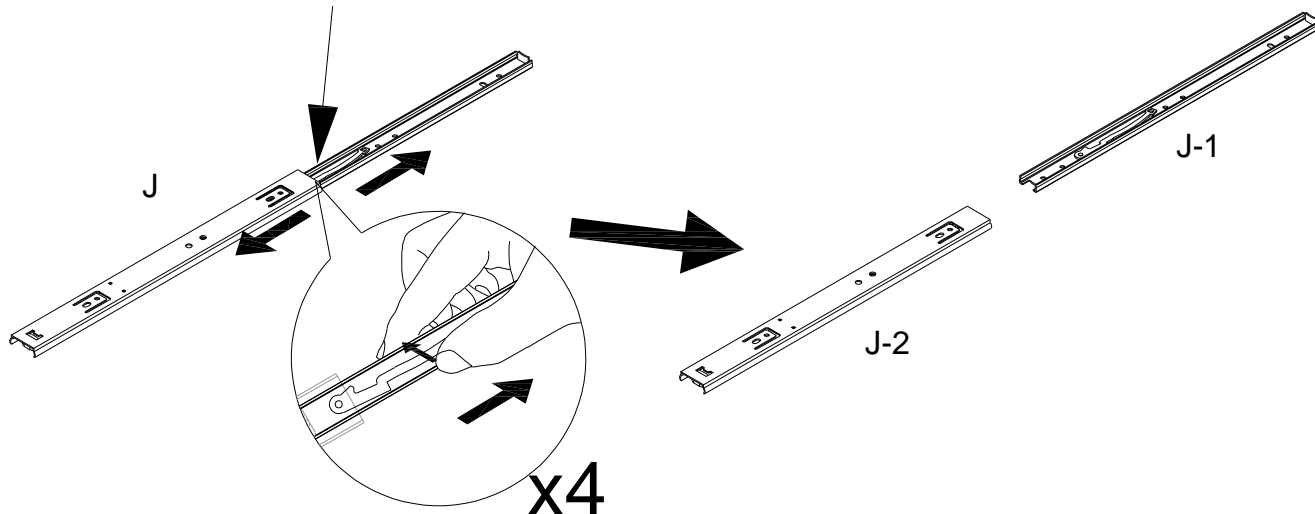


| | | | | | | |
|--|---|--|--|--|--|---|
|  A×12 |  B×12 |  C×16 |  D×24 3*12mm |  E×12 4×35mm |  F×18 4×25mm |  G×4 6×50mm |
|  H×8 4×45mm |  I×4 4×16mm |  J×4 |  K×4 |  L×4 |  M×1 |  N×4 3×14mm |
|  O×4 |  P×2 | | | | | |

STEP 1



SAFETY RELEASE TAB

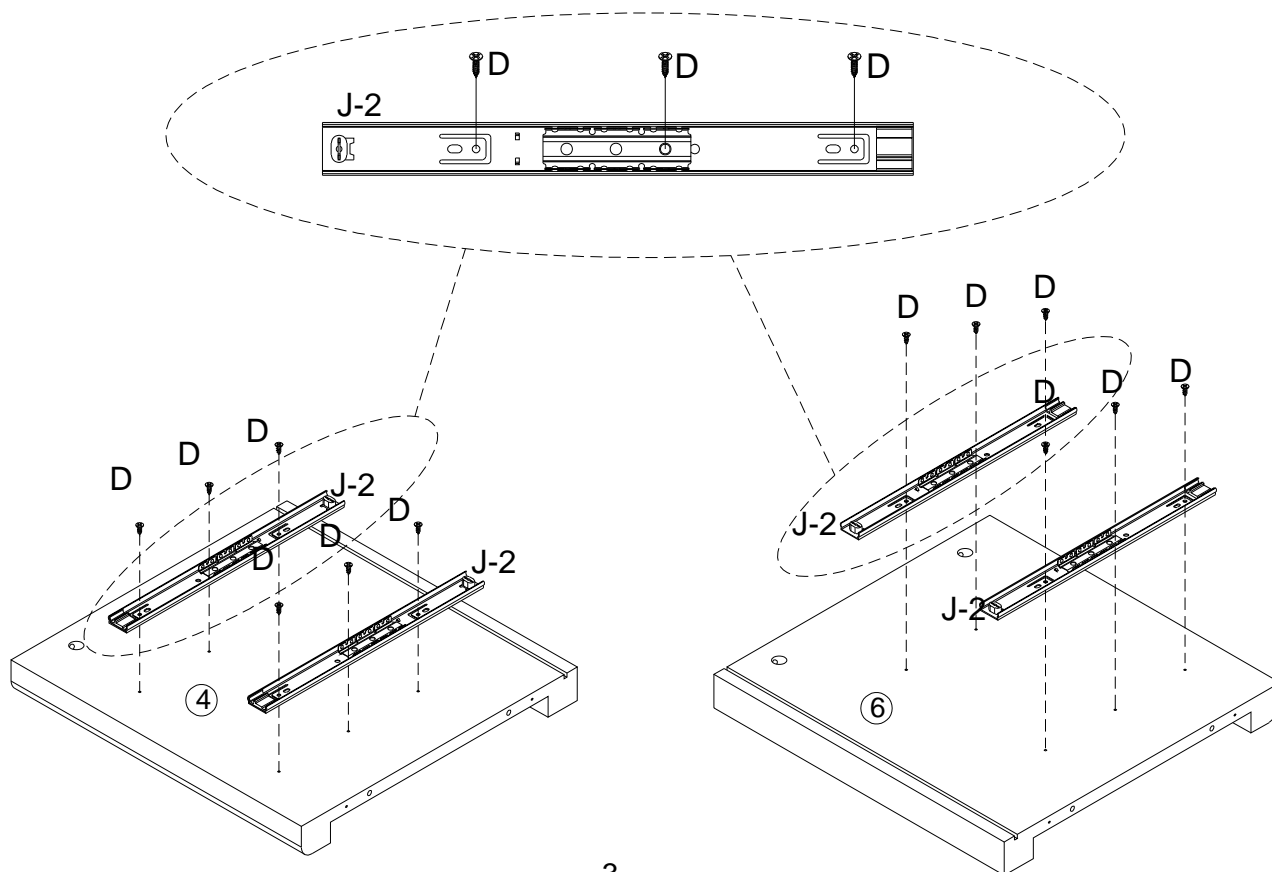
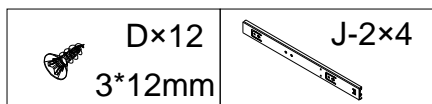


Slider J = J-1 and J-2

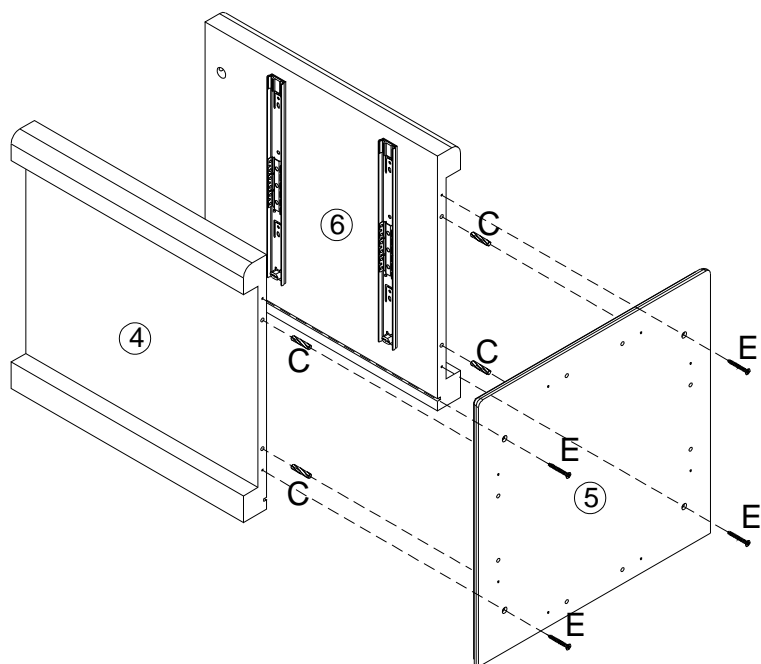
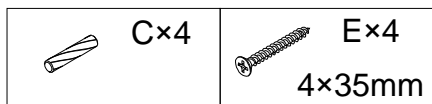
Separate the slides before installation:

Push the safety release tab in the middle of the slider to unlock, then pull the two parts (J-1 and J-2) apart.

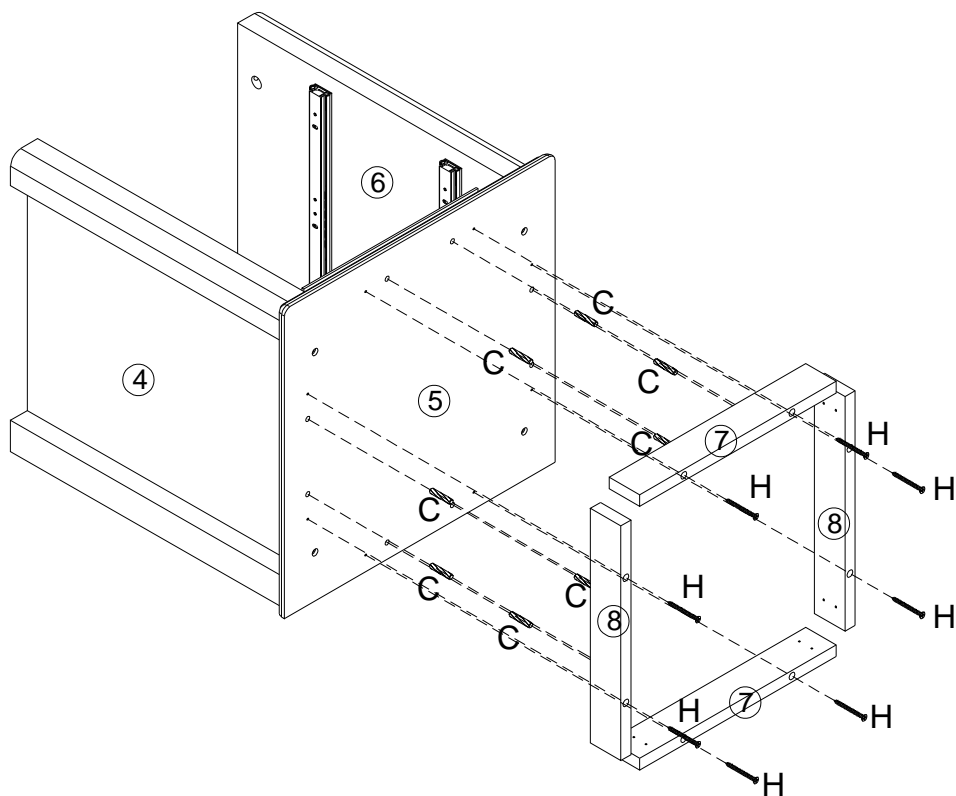
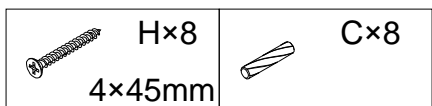
STEP 2



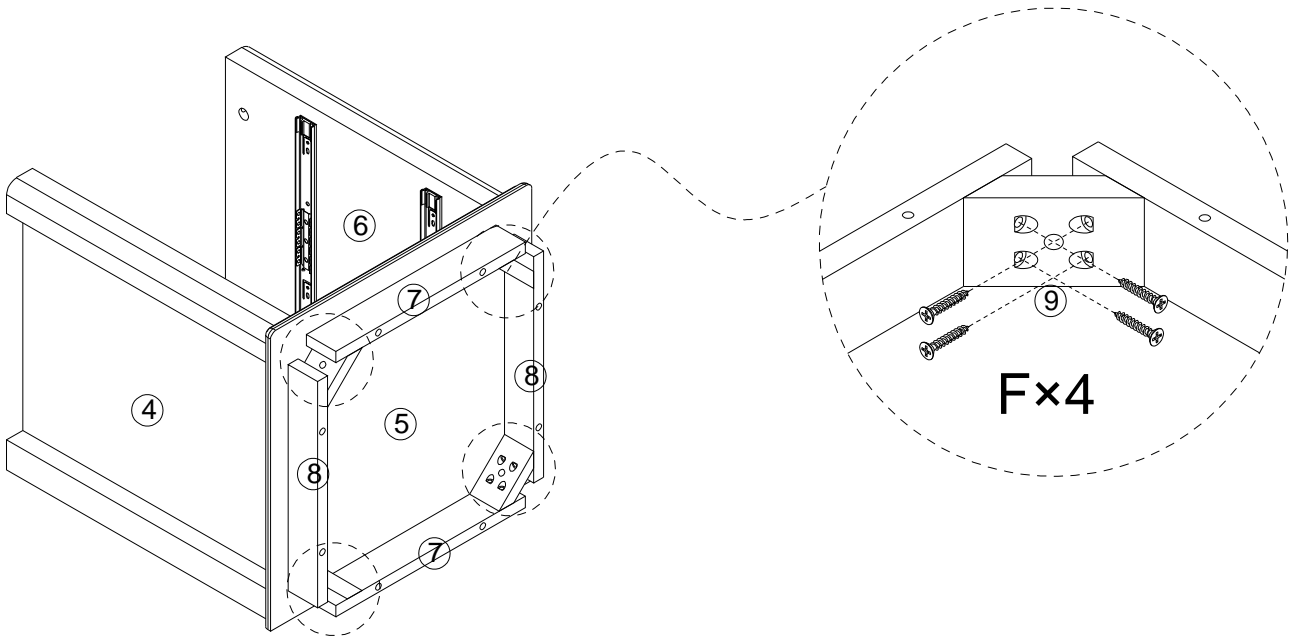
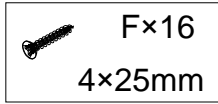
STEP 3



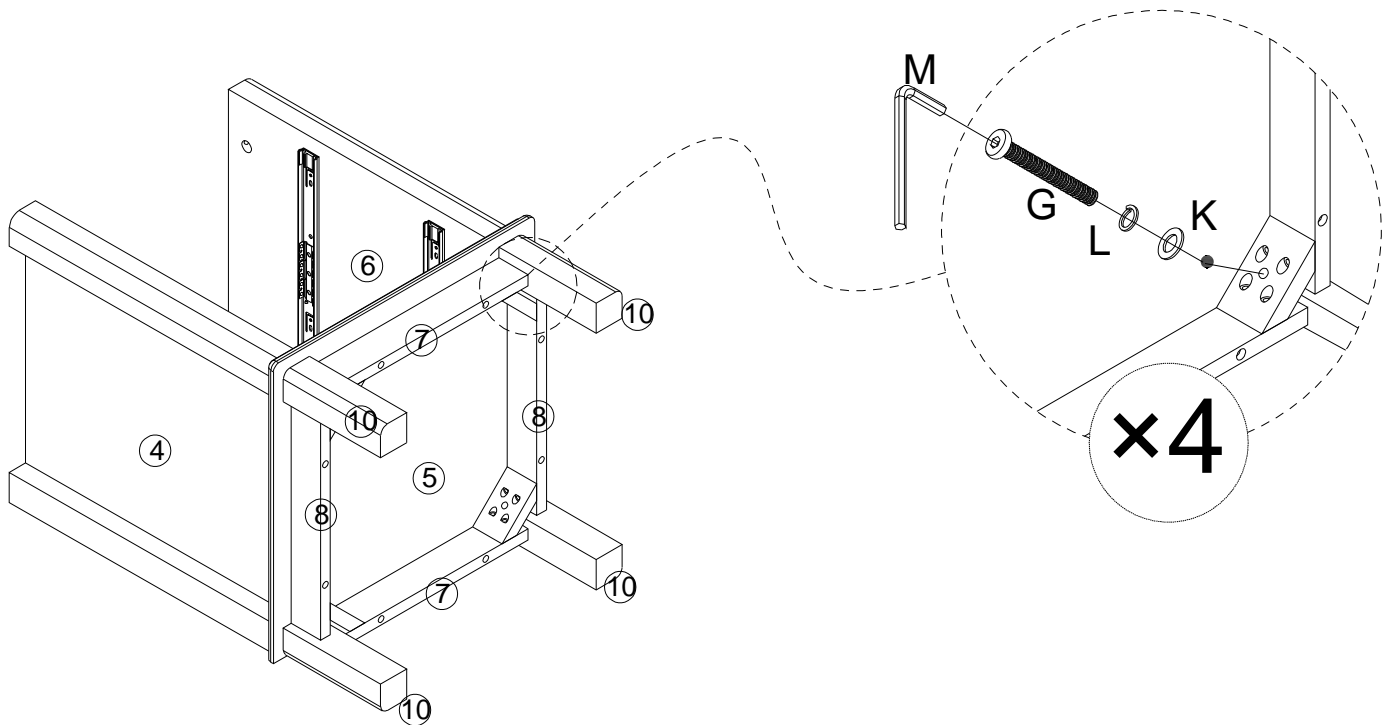
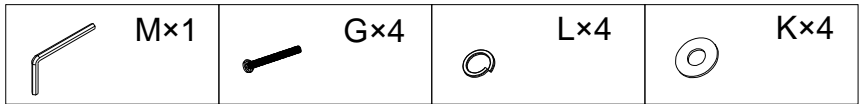
STEP 4



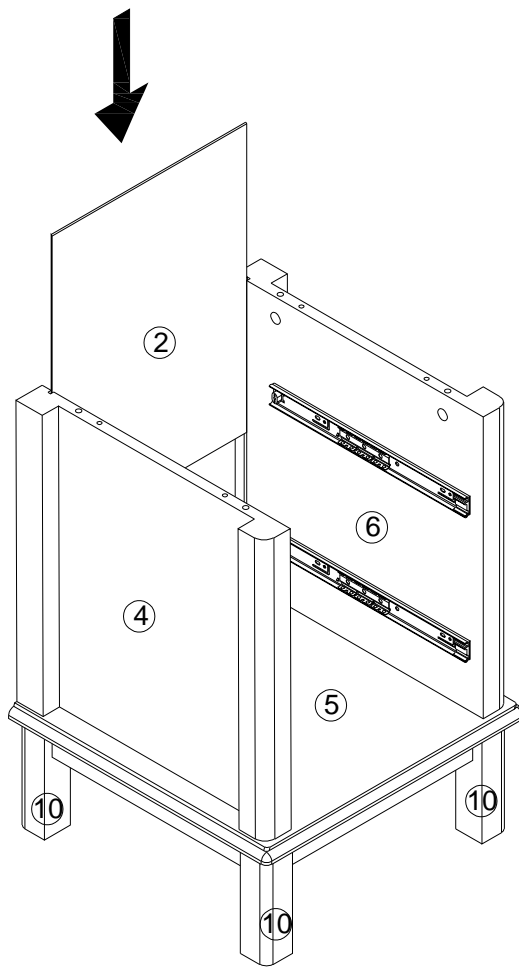
STEP 5



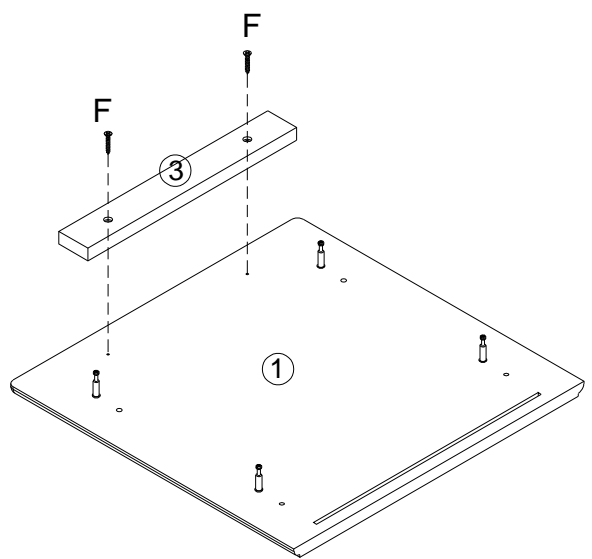
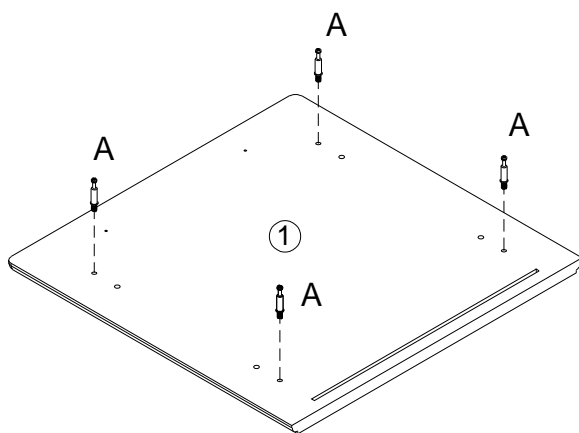
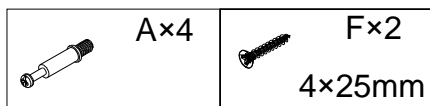
STEP 6



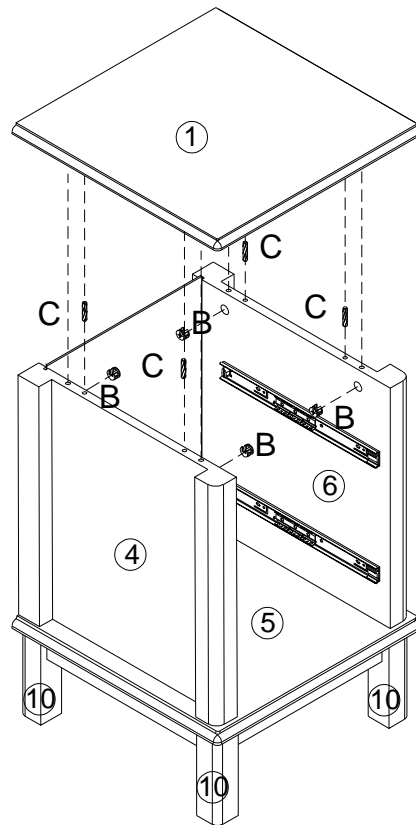
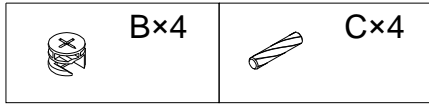
STEP 7



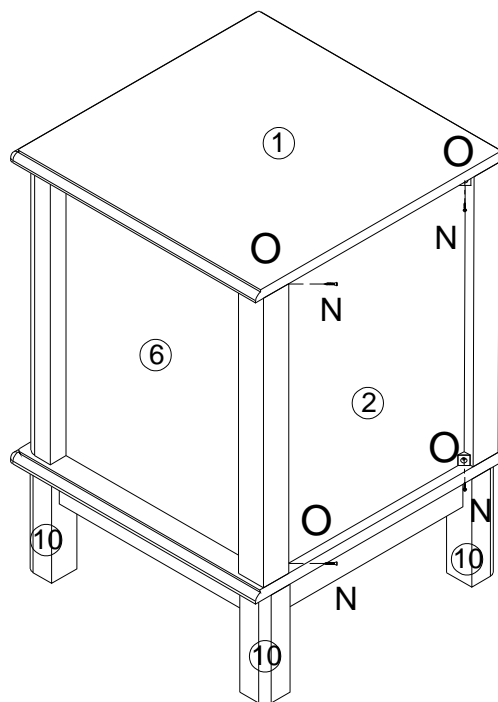
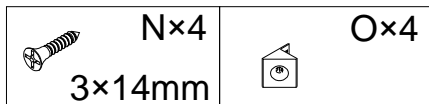
STEP 8



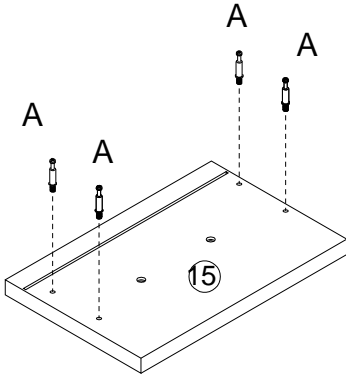
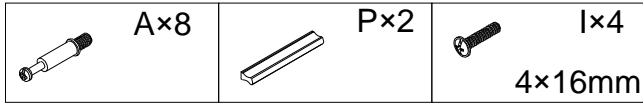
STEP 9



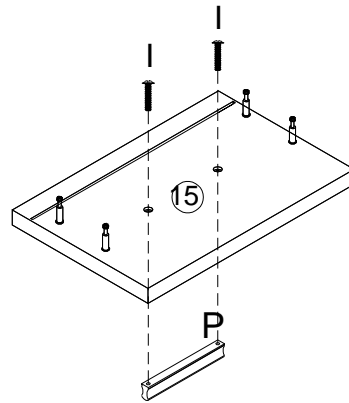
STEP 10



STEP 11

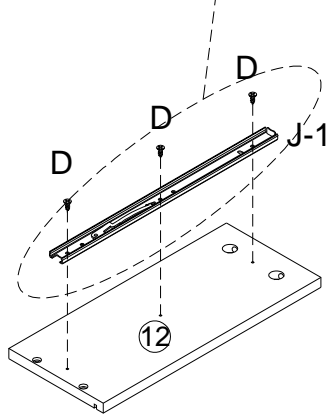
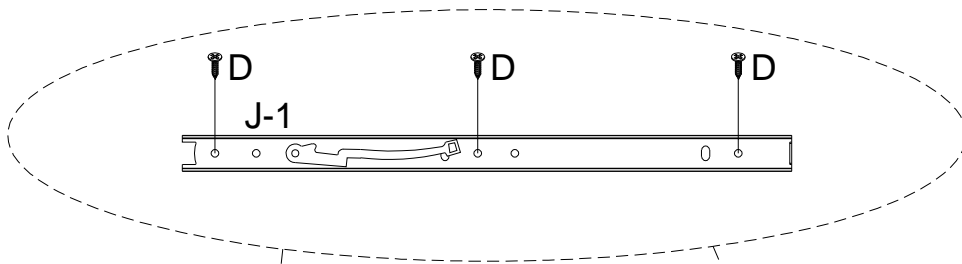
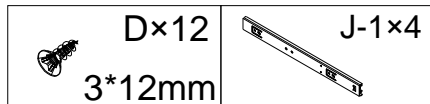


×2

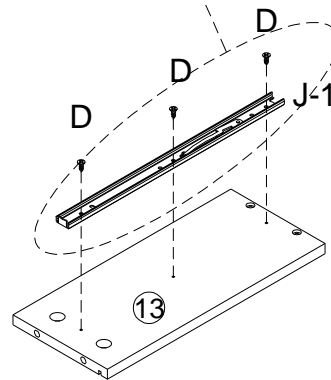


×2

STEP 12

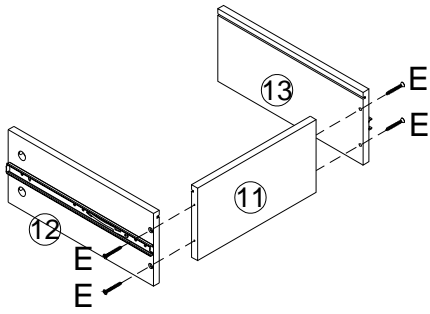
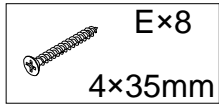


×2

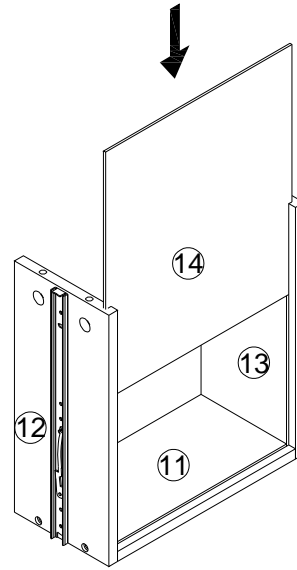


×2

STEP 13

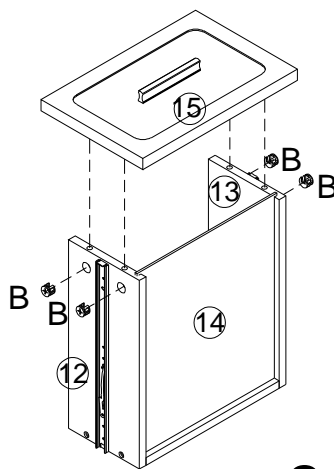
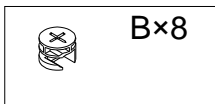


x2



x2

STEP 14



x2

STEP 15

