

ASSEMBLY INSTRUCTION

ELEGANT LOUNGER

Thank you for purchasing this quality product. Be sure to check all packing material carefully for small parts that may have come loose inside the carton during shipment.

PART LIST:



A: BUN FEET 4PCS



B: BOLT 4PCS
M8*85mm



C: BOLT 4PCS
M8*35mm



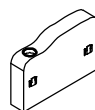
D: WASHER 8PCS



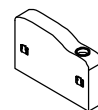
E: ALLEN KEY 1PC



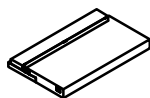
F: SCREW 6PCS



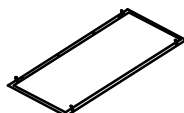
G: LSF ARM 1PC



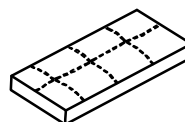
H: RSF ARM 1PC



I: SOFA BED FRAME 1PC



J: BOTTOM FRAME 1PC



K: TRUNDLE 1PC

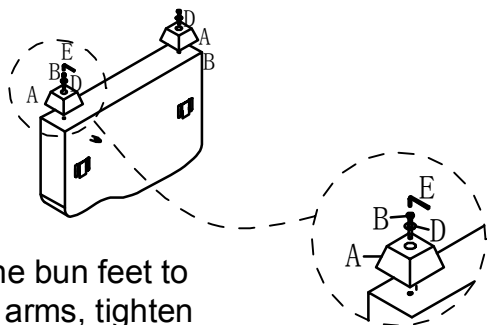


L: FRONT PLATE 1PC

ASSEMBLY

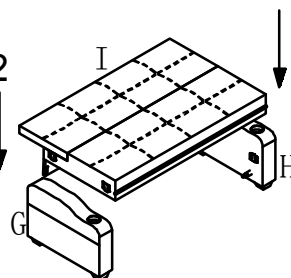
1. USE AS SOFA

STEP 1



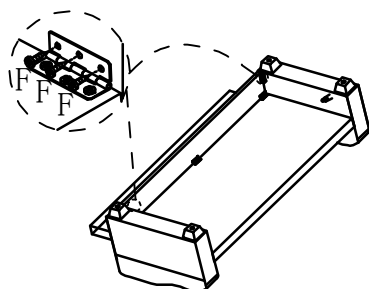
Attach the bun feet to the both arms, tighten with bolts and washers.

STEP 2



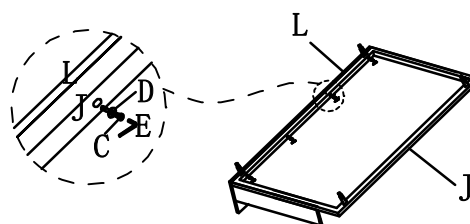
Align the sofa bed frame to both of the inner arms, attach then connect the brackets to the position.

STEP 3



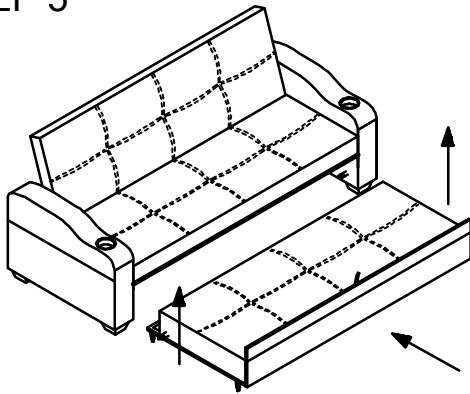
Turn over the sofa, insert screws to the brackets and tighten it.

STEP 4

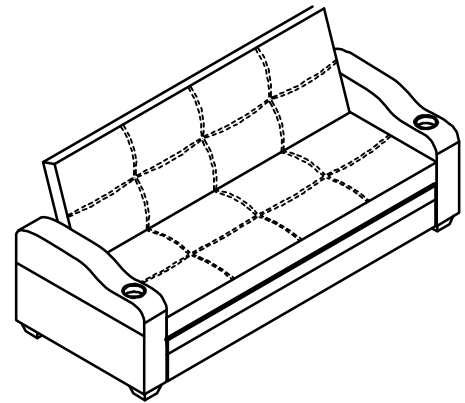


Attach front plate to the bottom frame, insert bolts and washers then tighten with Allen key.

STEP 5



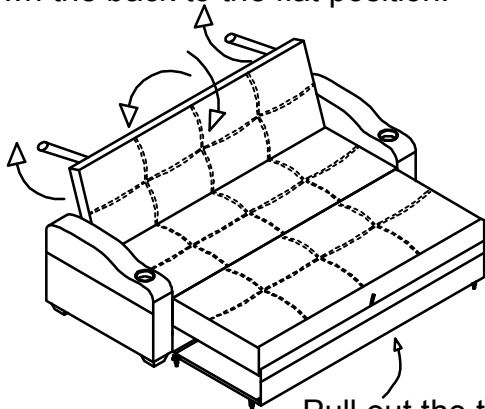
Lift up the trundle to the proper position, slide in the trundle to the bottom track, push the trundle to the end position.



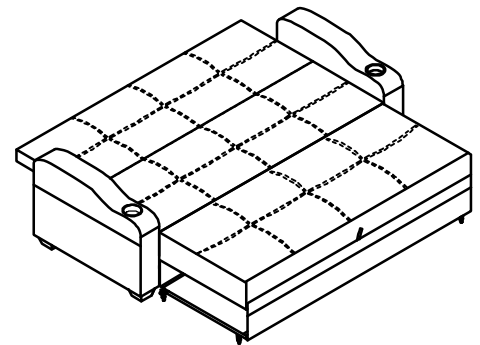
Assembly completed.

2. USE AS BED

Push sofa back to the end of front position then pull down the back to the flat position.



Pull out the trundle and pull up the tie in order to raise up the trundle.



Bed position completed.

WARNING !

To prevent serious hazards or injuries from entrapment or improper use of the product:

- Never put hands or fingers close to the side of the trundle while operate it.
- Never allow children to operate or play close to the side of the trundle.