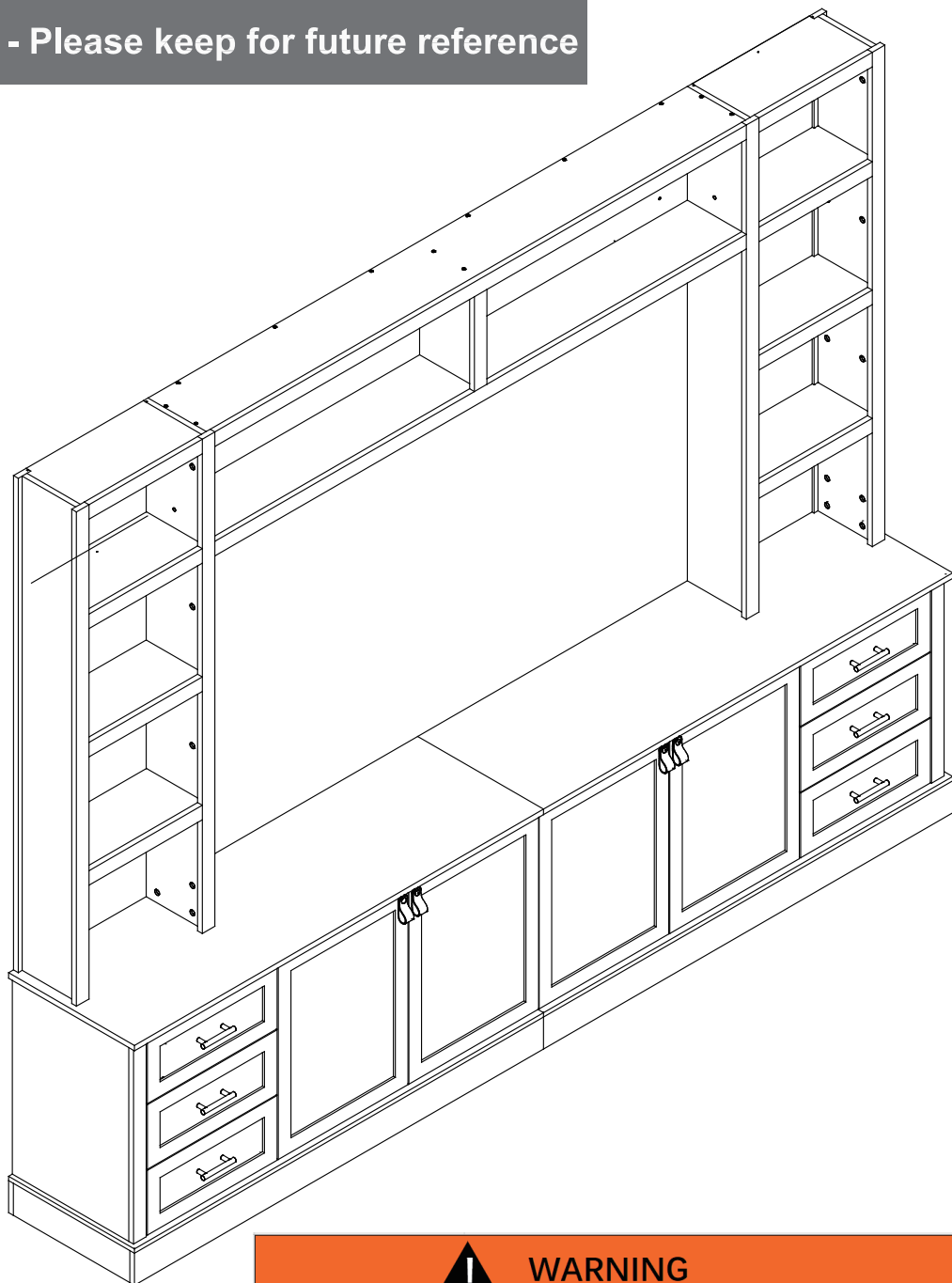


TV Stand

Assembly Instructions - Please keep for future reference



Dimensions

Width- 102.36inch

Depth- 15.75inch

Height- 79.6inch



WARNING



This product is NOT a Clothing Storage Unit (CSU).
DO NOT use it for clothing storage.
Improper use may cause furniture tipover.

Important – Please read these instructions fully before starting assembly



Safety and Care Advice

Important – Please read these instructions fully before starting assembly

- Check you have all the components and tools listed on the following pages.
- Remove all fittings from the plastic bags and separate them into their groups.
- Keep children and animals away from the work area, small parts could choke if swallowed.
- Make sure you have enough space to layout the parts before starting.

- During assembly do not stand or put weight on the product, this could cause damage.
- Assemble the item as close to its final position (in the same room) as possible.
- Assemble on a soft level surface to avoid damaging the unit or your floor.
- Parts of the assembly will be easier with 2 people.



power drill is set on a low torque setting.

- To reduce the likelihood of damaging your product please ensure that your

Care and maintenance

- Only clean using a damp cloth and mild detergent, do not use bleach or abrasive cleaners.
- From time to time check that there are no loose screws on this unit.
- This product should not be discarded with household waste. Take to your local authority waste disposal centre.

Handy Hints

- Assemble all parts and bolts loosely during assembly, only once the product is complete should you fully tighten the bolts
- Regularly check and ensure That all bolts and fittings are tightened properly.

WARNING
In order to help prevent overturning – please follow these instructions

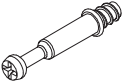


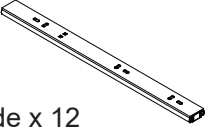

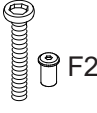

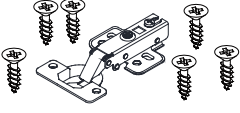
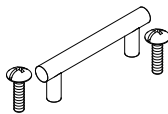
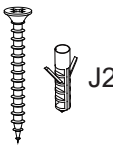


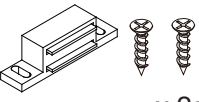

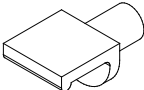

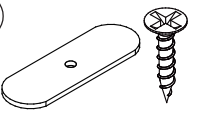
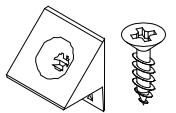
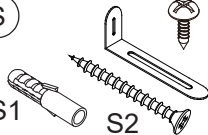
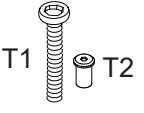
To help prevent product toppling over please follow the below steps:-

- Use the anti tip stap or wall fixing method provided (if applicable)
- Do not allow children to climb or hang on the furniture
- Do not open more than one drawer at a time
- Do not place heavy items in the top drawers
- Do not place heavy items on top of the furniture, unless the furniture has been designed for this purpose

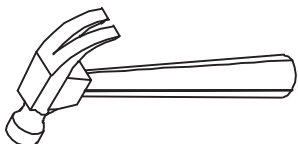
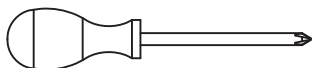
Components - Fittings

Please check you have all the panels listed below

Note: The quantities below are the correct amount to complete the assembly. In some cases more fittings may be supplied than are required.

<p>(A) </p> <p>Cam Bolt x 170+2</p>	<p>(B) </p> <p>6*30mm Dowel x 144+2</p>	<p>(C) </p> <p>Cam lock x 170+2</p>	<p>(D) </p> <p>Slide x 12</p>
<p>(E) </p> <p>3*12mm Screw x 48+2</p>	<p>(F) </p> <p>F1 F2 6*25mm Screw x 4set</p>	<p>(G) </p> <p>4*40mm Screw x 42+2</p>	<p>(H) </p> <p>3.5*14mm Hinge x 8set</p>
<p>(I) </p> <p>4*10mm Handle x 6set</p>	<p>(J) </p> <p>J1 J2 x4</p>	<p>(K) </p> <p>Perfect fit x 100</p>	<p>(L) </p> <p>Allen key x 2</p>
<p>(M) </p> <p>x 2set</p>	<p>(N) </p> <p>4*30mm Screw x 36+2</p>	<p>(O) </p> <p>Shelf support pin x 8</p>	<p>(P) </p> <p>4*18mm Handle x 4set</p>
<p>(Q) </p> <p>x 4set</p>	<p>(R) </p> <p>x 16set</p>	<p>(S) </p> <p>S1 S2 S3 S4 x 2set</p>	<p>(T) </p> <p>T1 T2 6*20mm Screw x 4set</p>

Tools required Not Included



Phillips screwdriver
(medium & large)

Using Camlocks

Step 1

Connect the male camlock as directed in the assembly instructions using a screwdriver.

1

DO NOT OVER TIGHTEN.
NE PAS SERRER EXCESSIVEMENT.



Step 2

Push the male camlock into the entry hole.

2

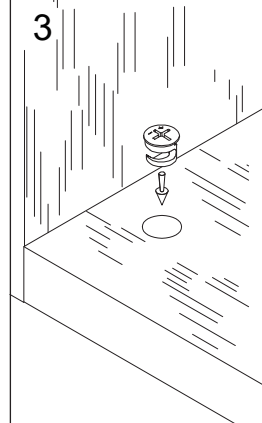


Step 3

Insert the female camlock as shown in the instruction.

Note: ensure that the arrow on the top of the camlock points towards the entry hole for the male camlock.

3



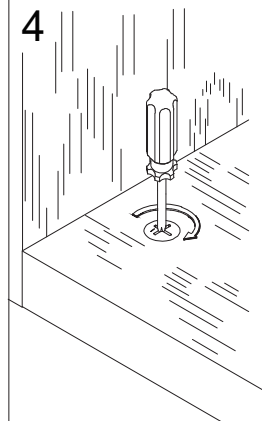
Step 4

Turn the female camlock clockwise with a screwdriver.

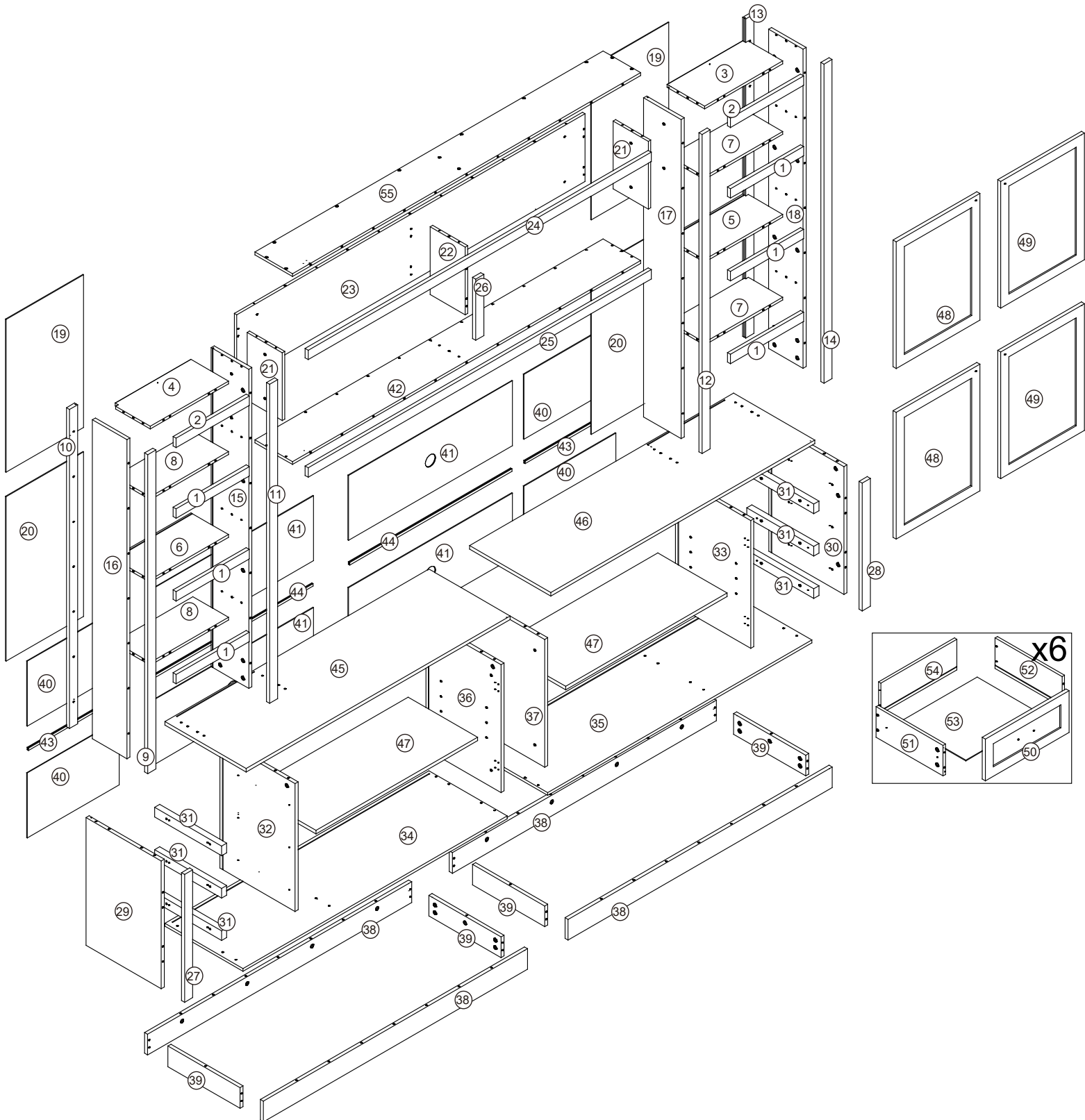
You should feel a click when the camlock is locked in place.

The joint is now secure.

4

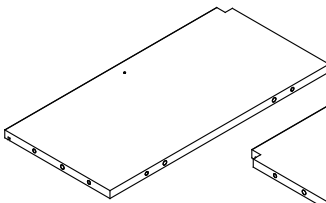
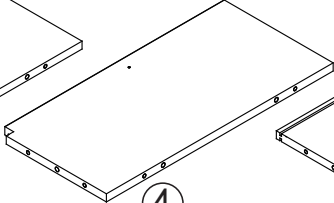
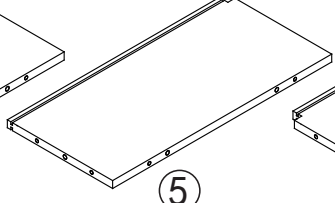
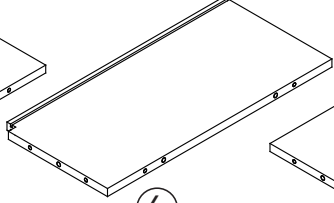
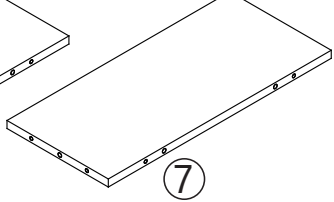
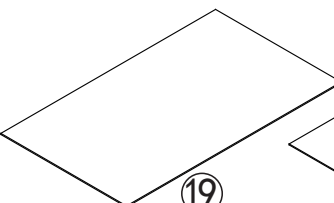
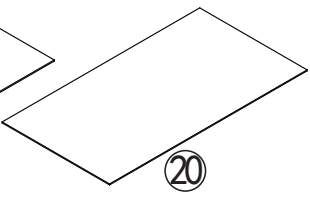
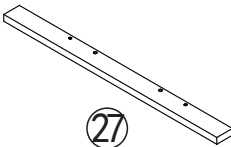
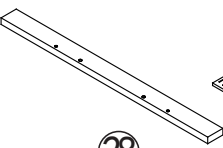
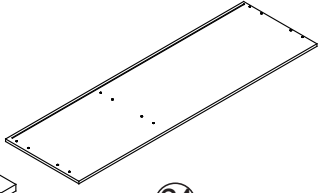
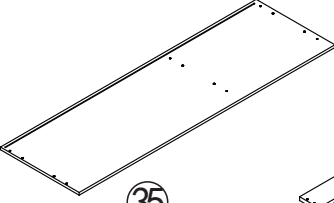
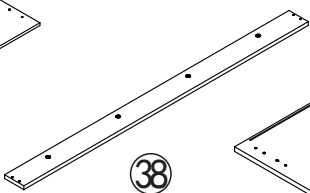
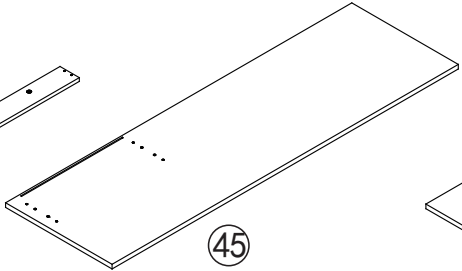
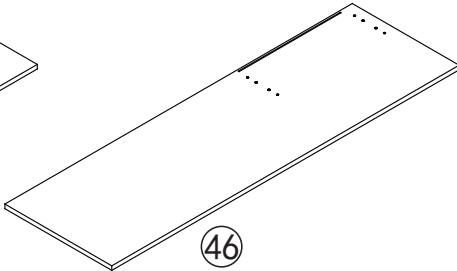
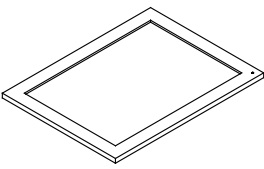
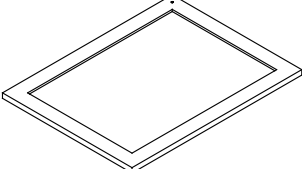
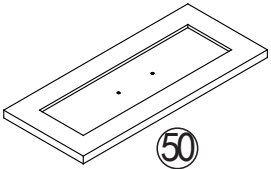
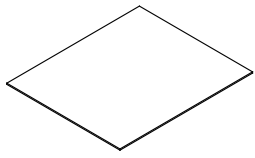


Assembly Instructions



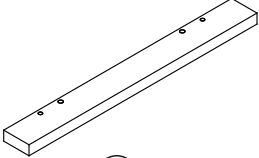
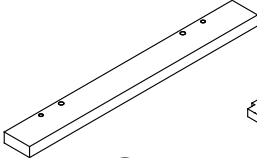
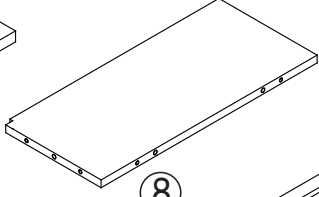
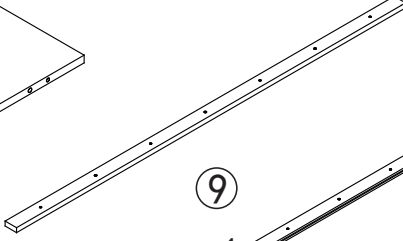
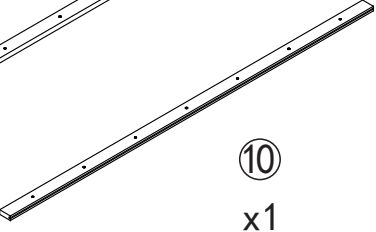
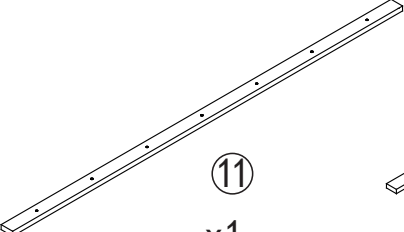
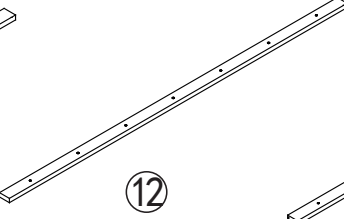
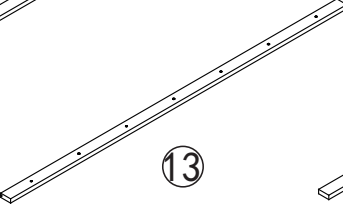
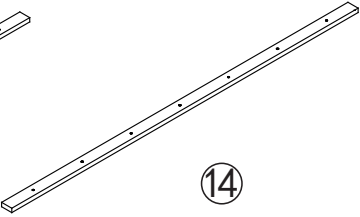
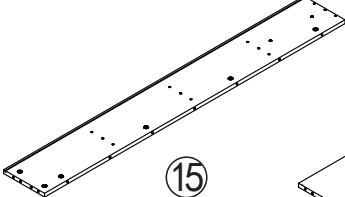
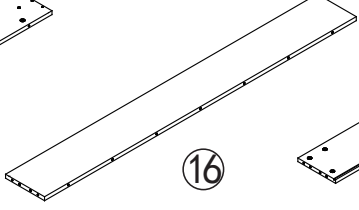
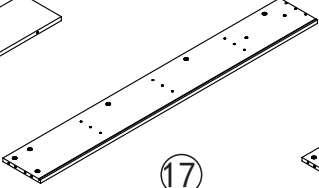
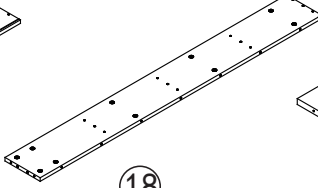
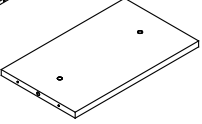
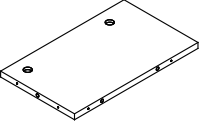
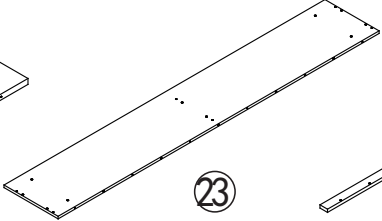
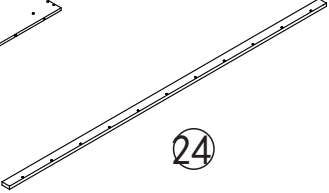
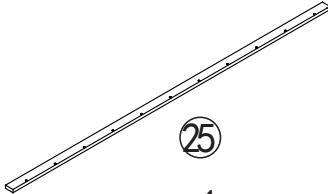
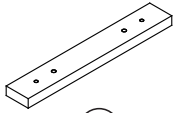
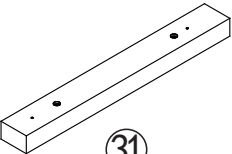
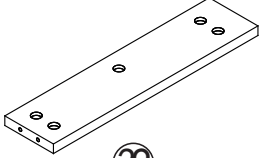
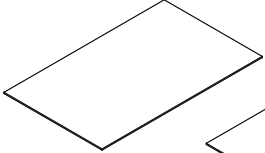
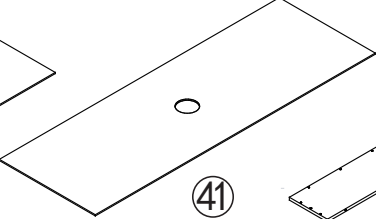
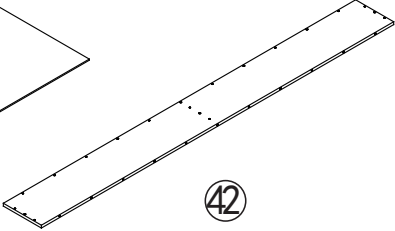
PART LIST

This product comes in 3 box.

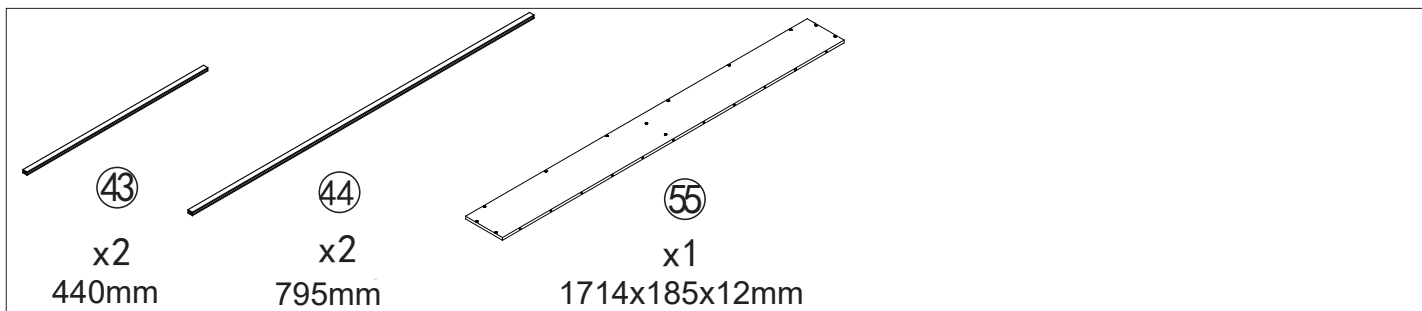
				
③ x1 385x185x12mm	④ x1 385x185x12mm	⑤ x1 385x185x12mm	⑥ x1 385x185x12mm	⑦ x2 385x175x12mm
				
⑱ x2 651x381x3mm	⑳ x2 701x381x3mm	㉓ x1 545x40x15mm	㉔ x1 545x40x15mm	㉕ x1 1300x400x12mm
				
㉖ x1 1300x400x12mm	㉘ x4 1300x88x15mm	㉙ x1 1300x400x15mm	㉚ x1 1300x400x15mm	
				
㉛ x2 540x412x15mm	㉜ x2 540x412x15mm	㉝ x6 412x178x15mm	㉞ x6 382x326x3mm	

PART LIST

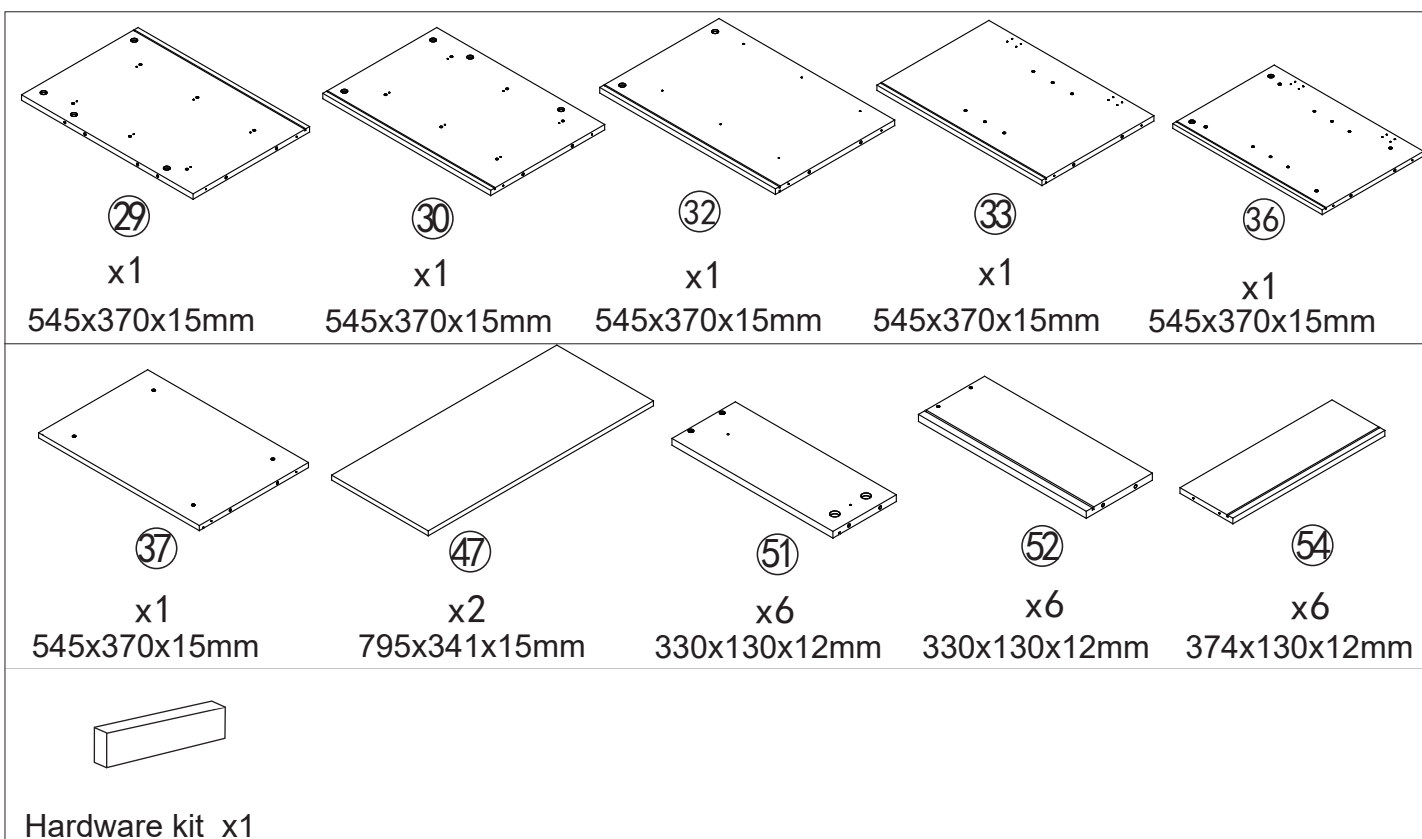
This product comes in 3 box.

				
① x6 360x40x15mm	② x2 360x40x15mm	⑧ x2 385x175x12mm	⑨ x1 1360x40x15mm	⑩ x1 1360x40x15mm
				
⑪ x1 1360x40x15mm	⑫ x1 1360x40x15mm	⑬ x1 1360x40x15mm	⑭ x1 1360x40x15mm	
				
⑮ x1 1360x185x15mm	⑯ x1 1360x170x15mm	⑰ x1 1360x185x15mm	⑱ x1 1360x170x15mm	㉑ x2 289x173x12mm
				
⑳ x1 289x173x12mm	㉒ x1 1714x289x12mm	㉔ x1 1689x40x15mm	㉕ x1 1689x40x15mm	㉖ x1 261x40x15mm
				
㉓ x6 330x41x25mm	㉗ x4 370x88x15mm	㉘ x4 452x276.5x3mm	㉙ x4 807x276.5x3mm	㉚ x1 1714x185x12mm

PART LIST

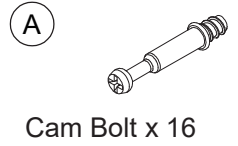
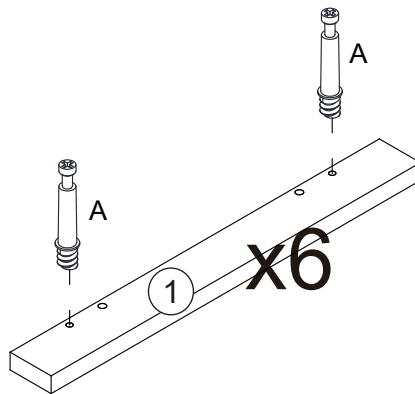
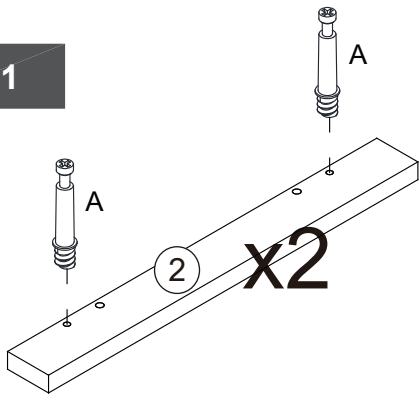


This product comes in 3 box.

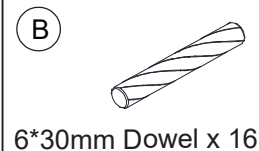
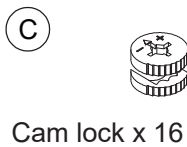
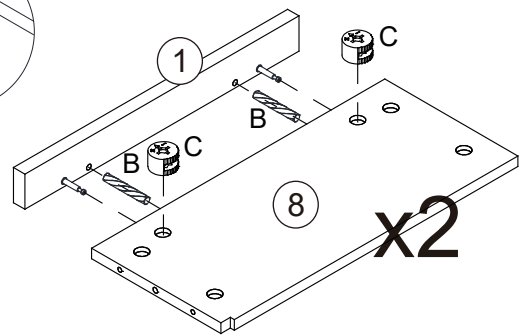
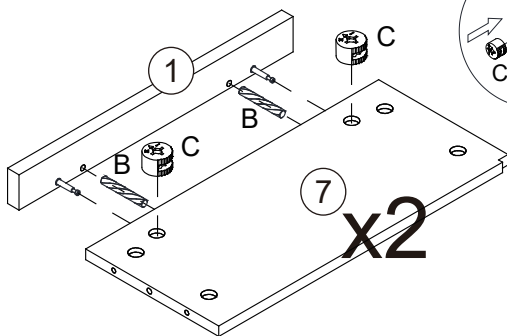
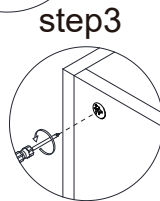
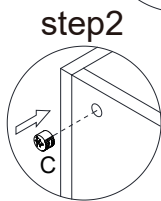
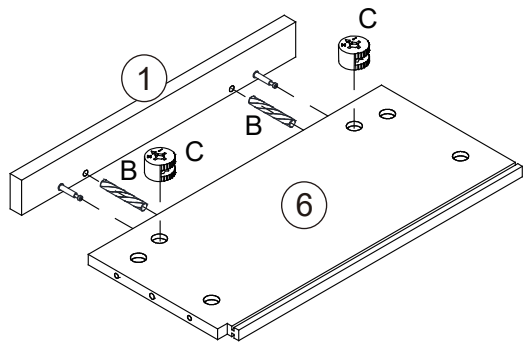
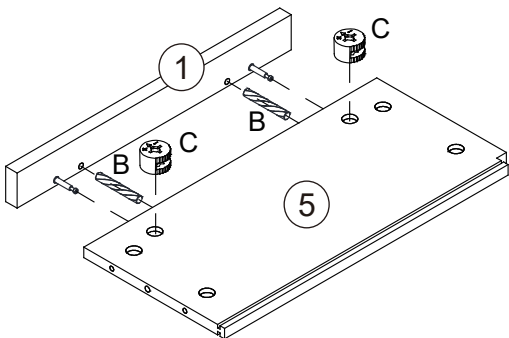
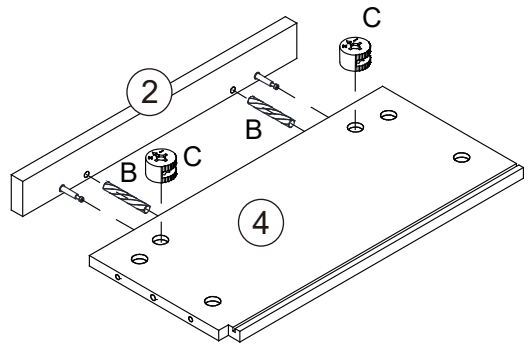
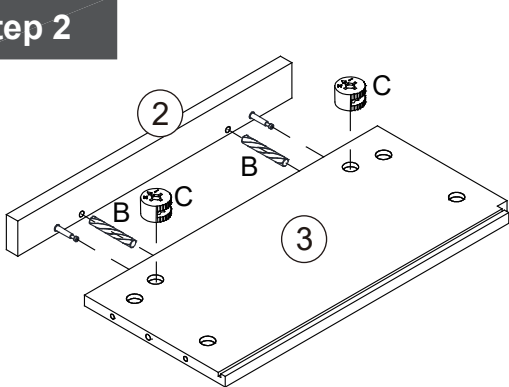


Assembly Instructions

Step 1

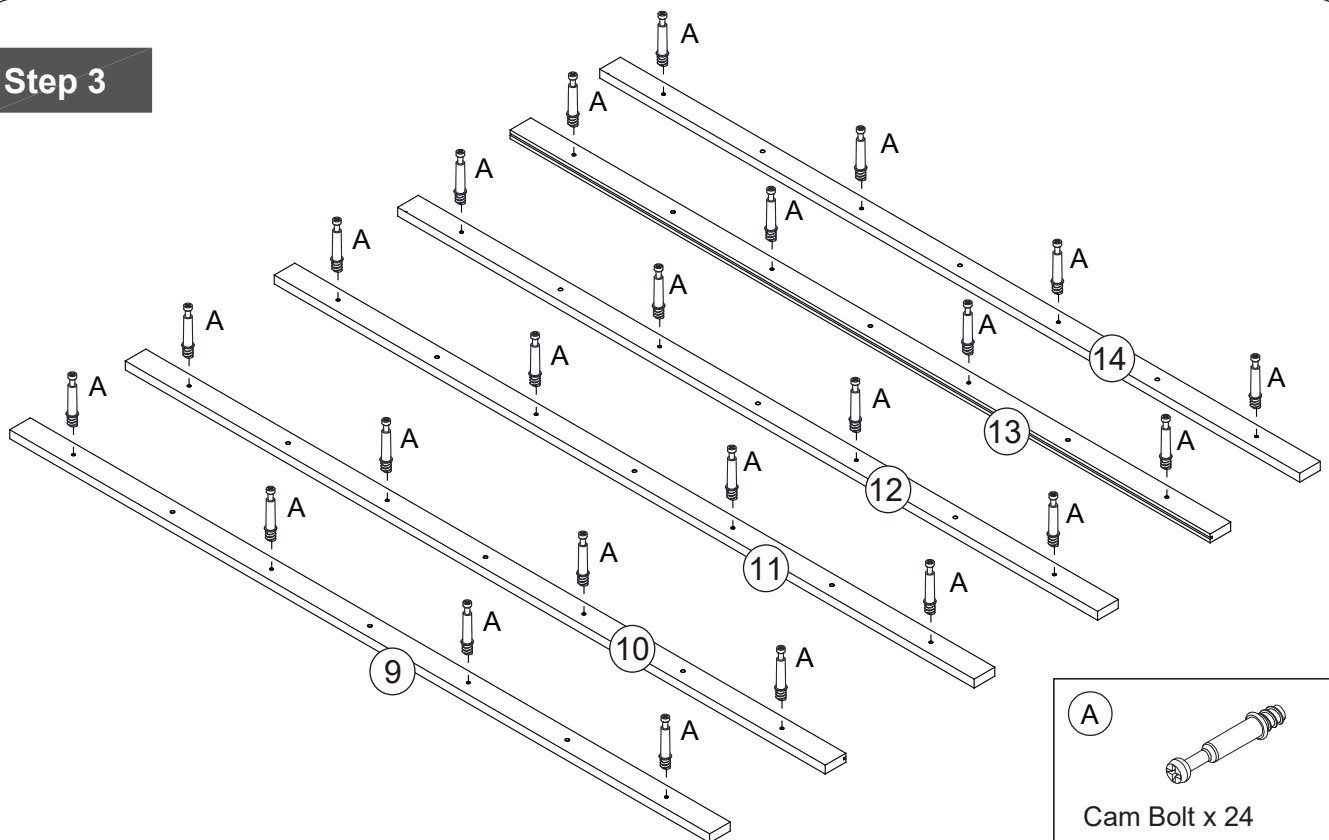


Step 2

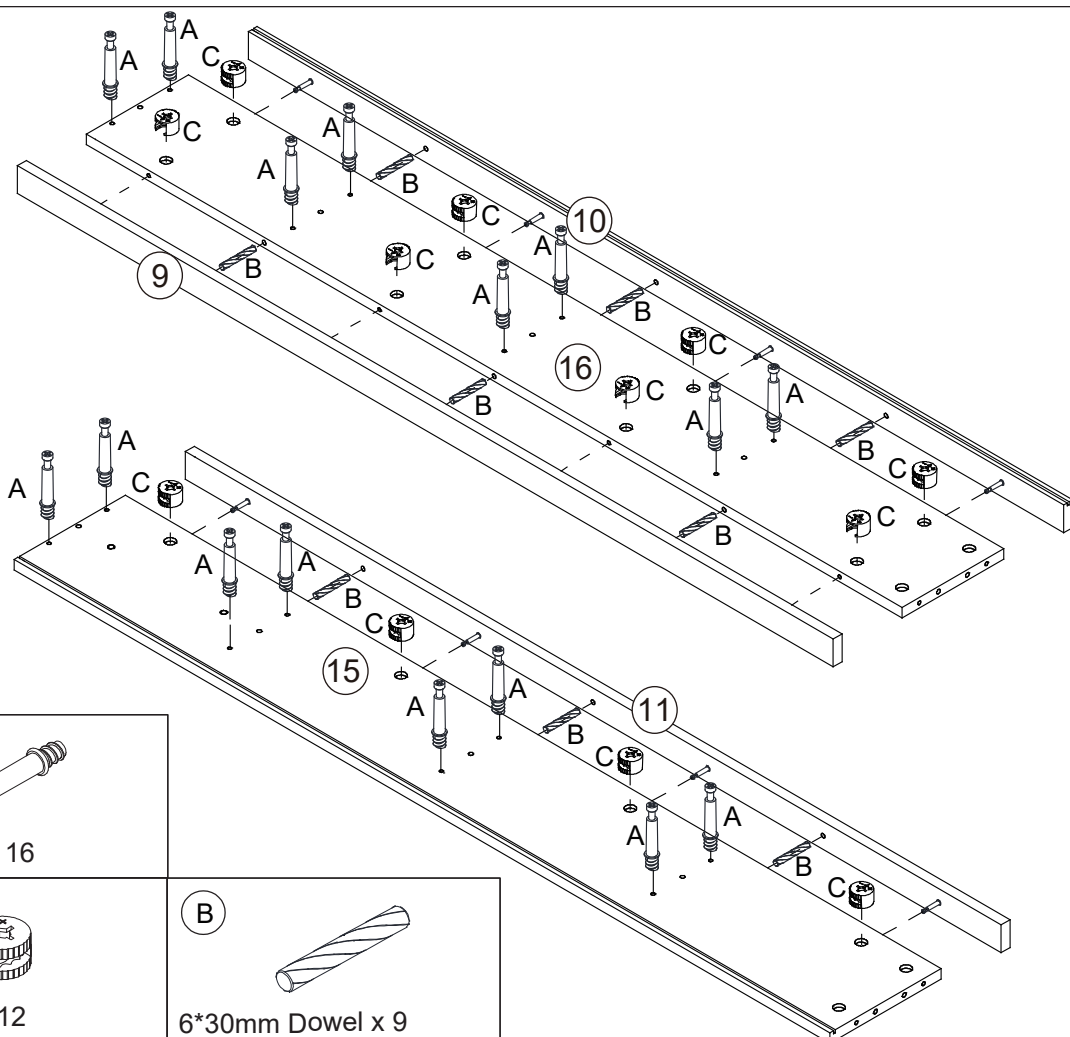


Assembly Instructions

Step 3

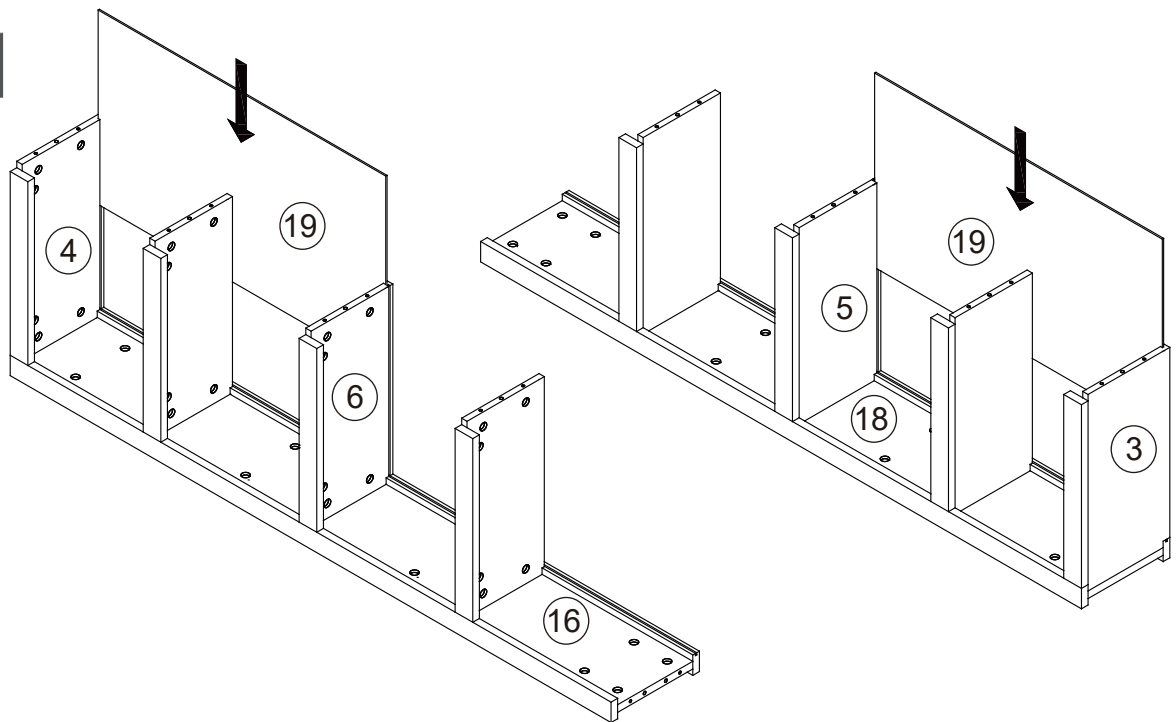


Step 4

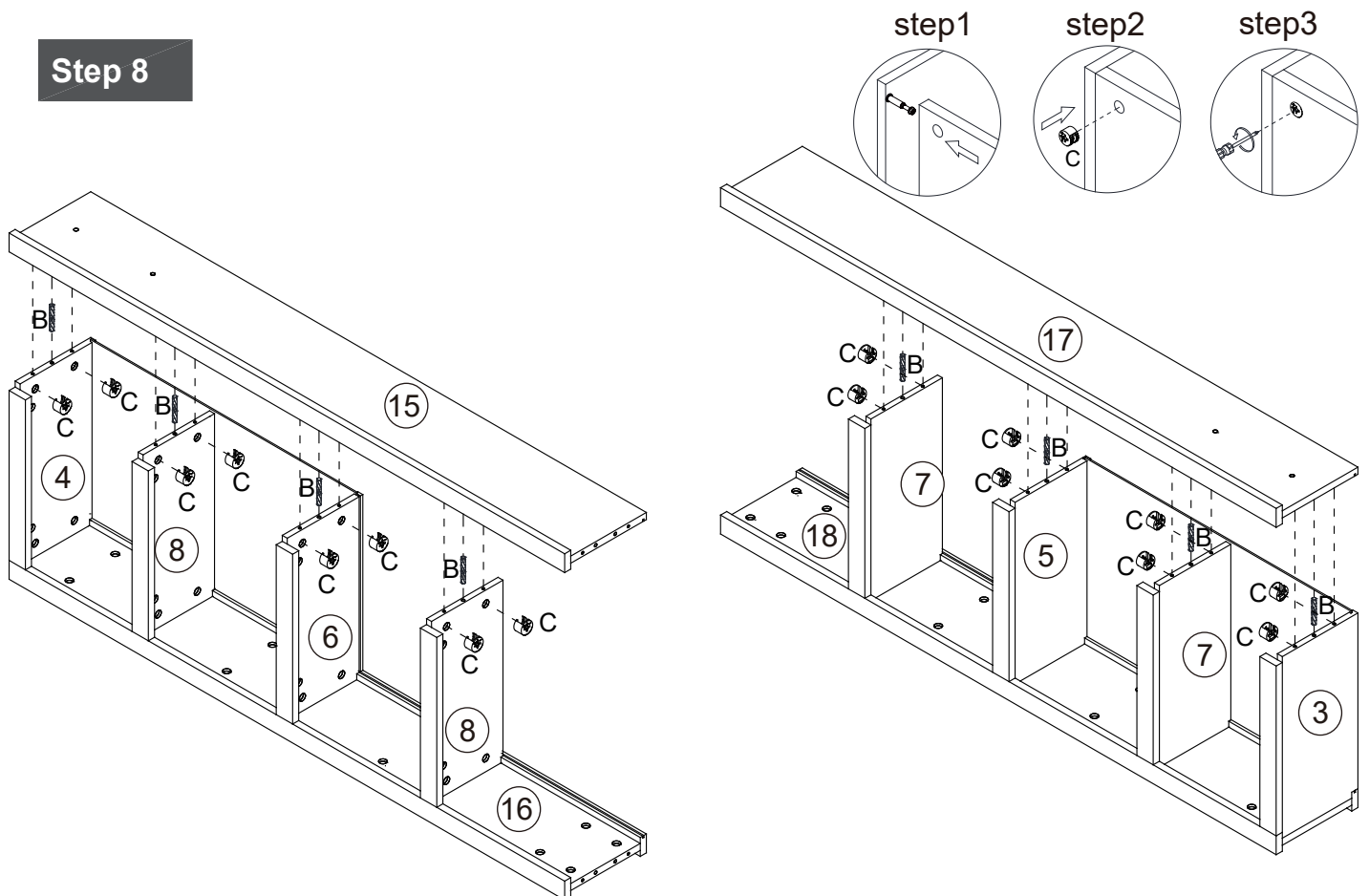


Assembly Instructions

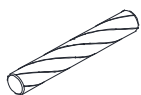
Step 7



Step 8



(B)



6*30mm Dowel x 8

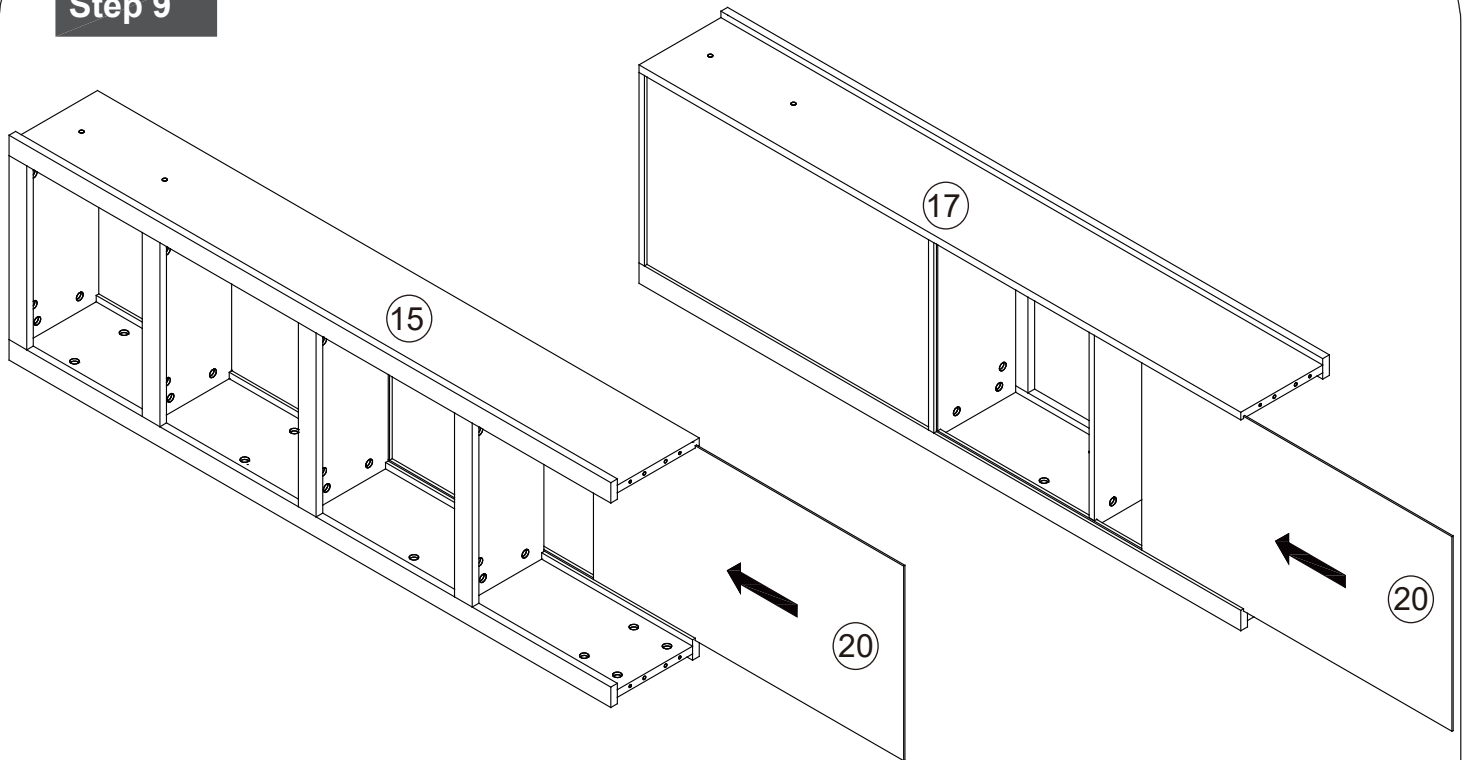
(C)



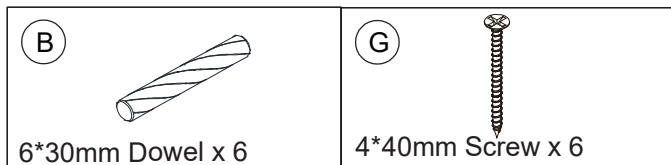
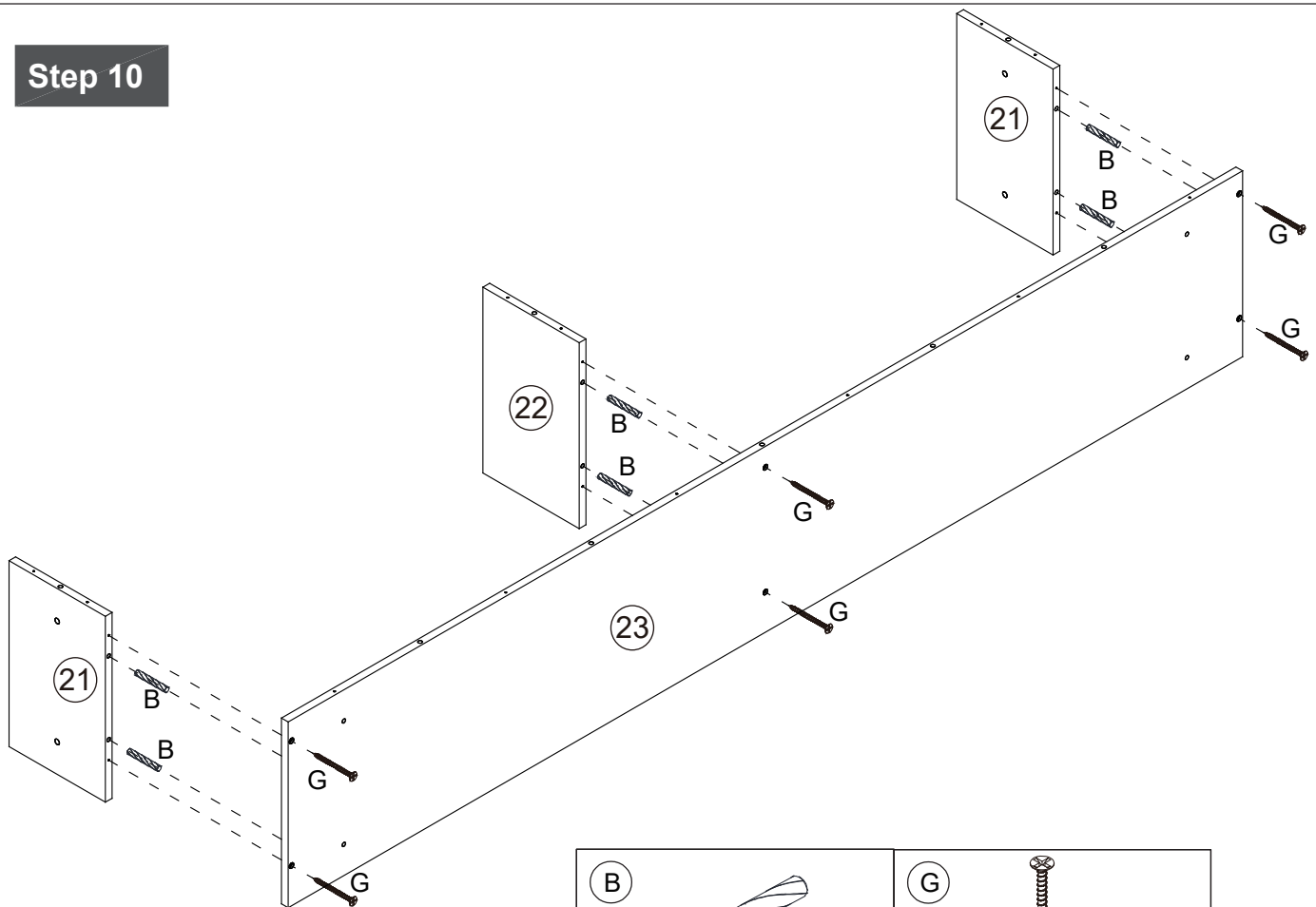
Cam lock x 16

Assembly Instructions

Step 9

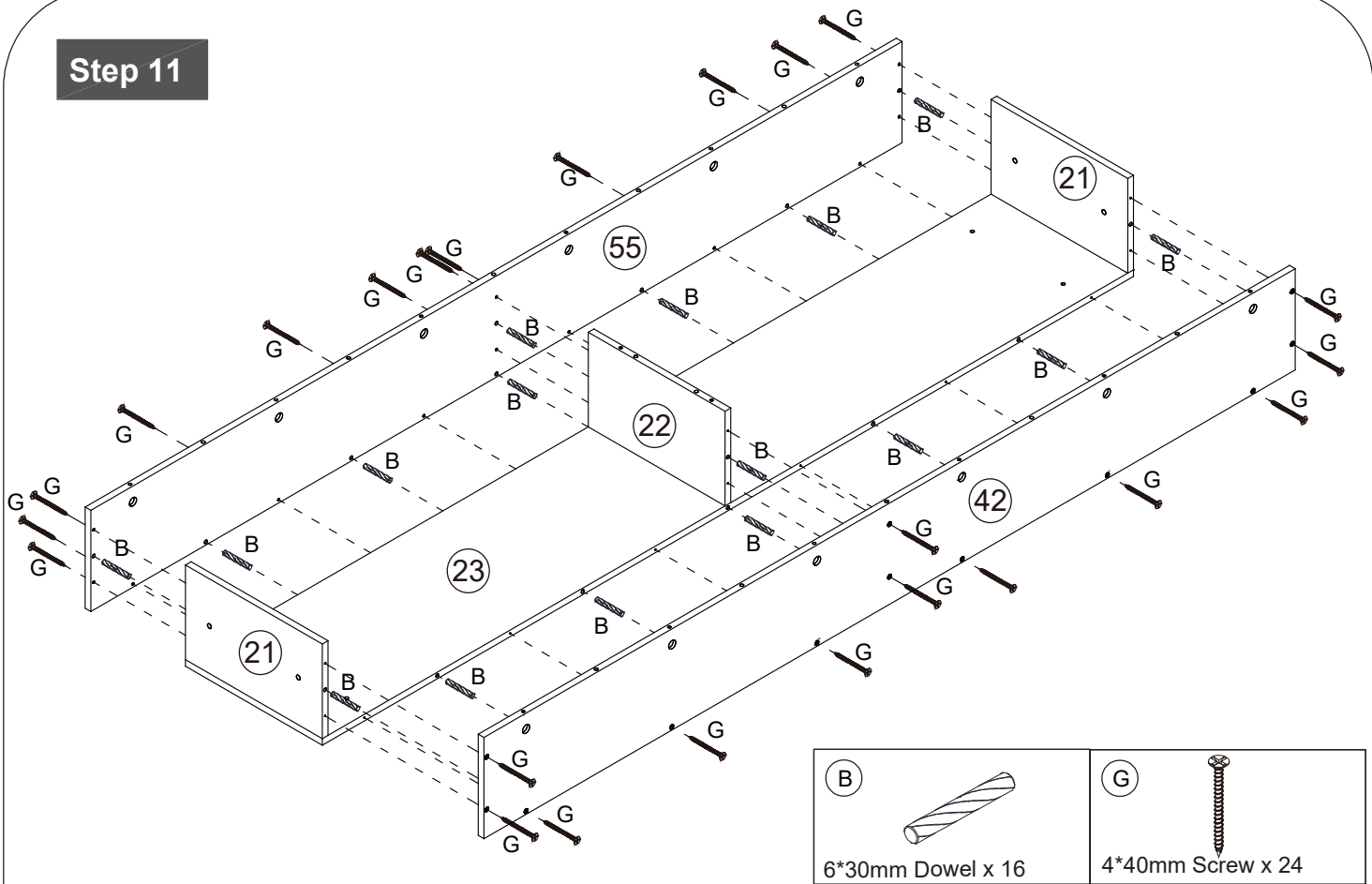


Step 10

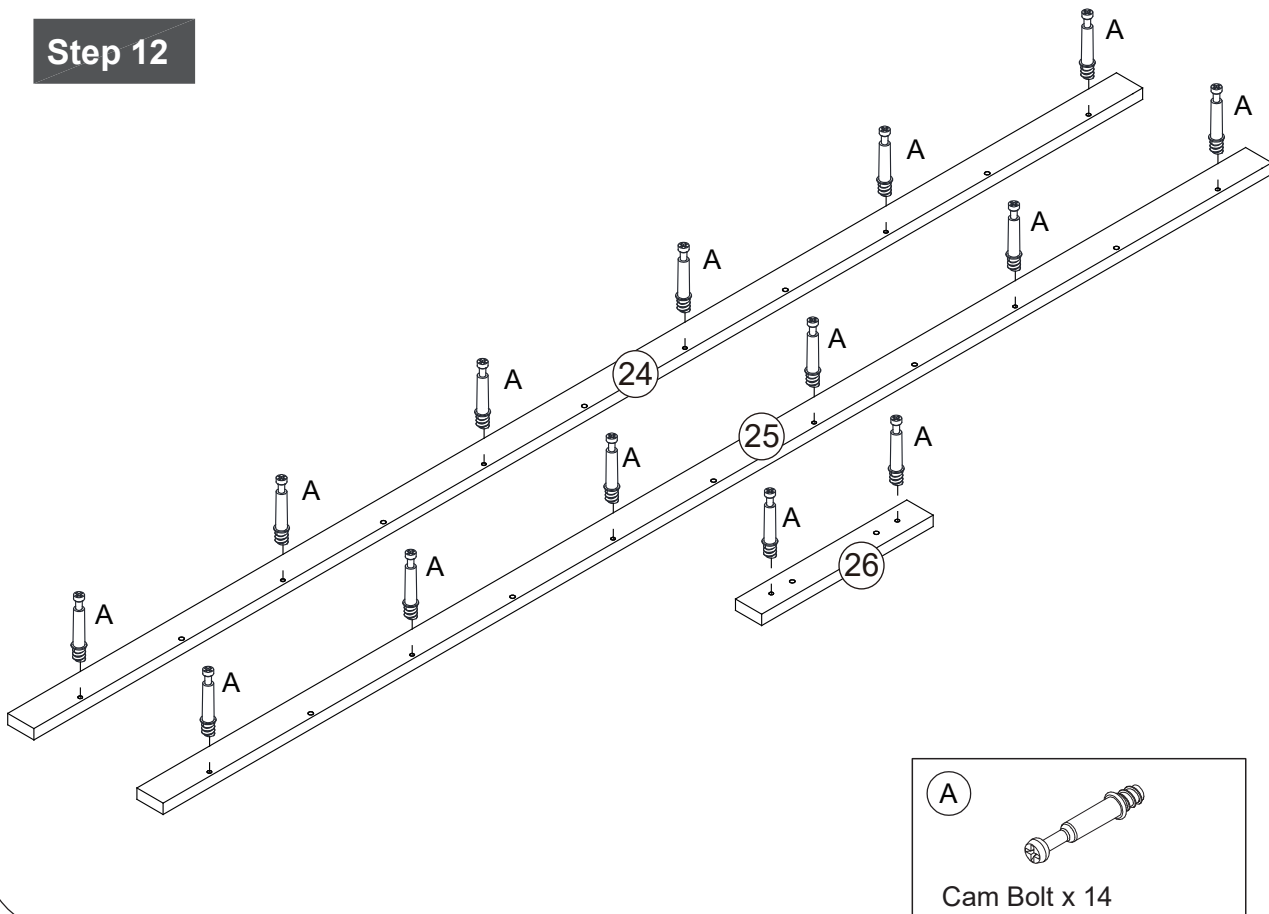


Assembly Instructions

Step 11



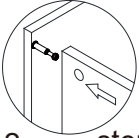
Step 12



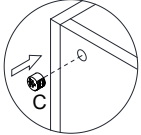
Assembly Instructions

Step 13

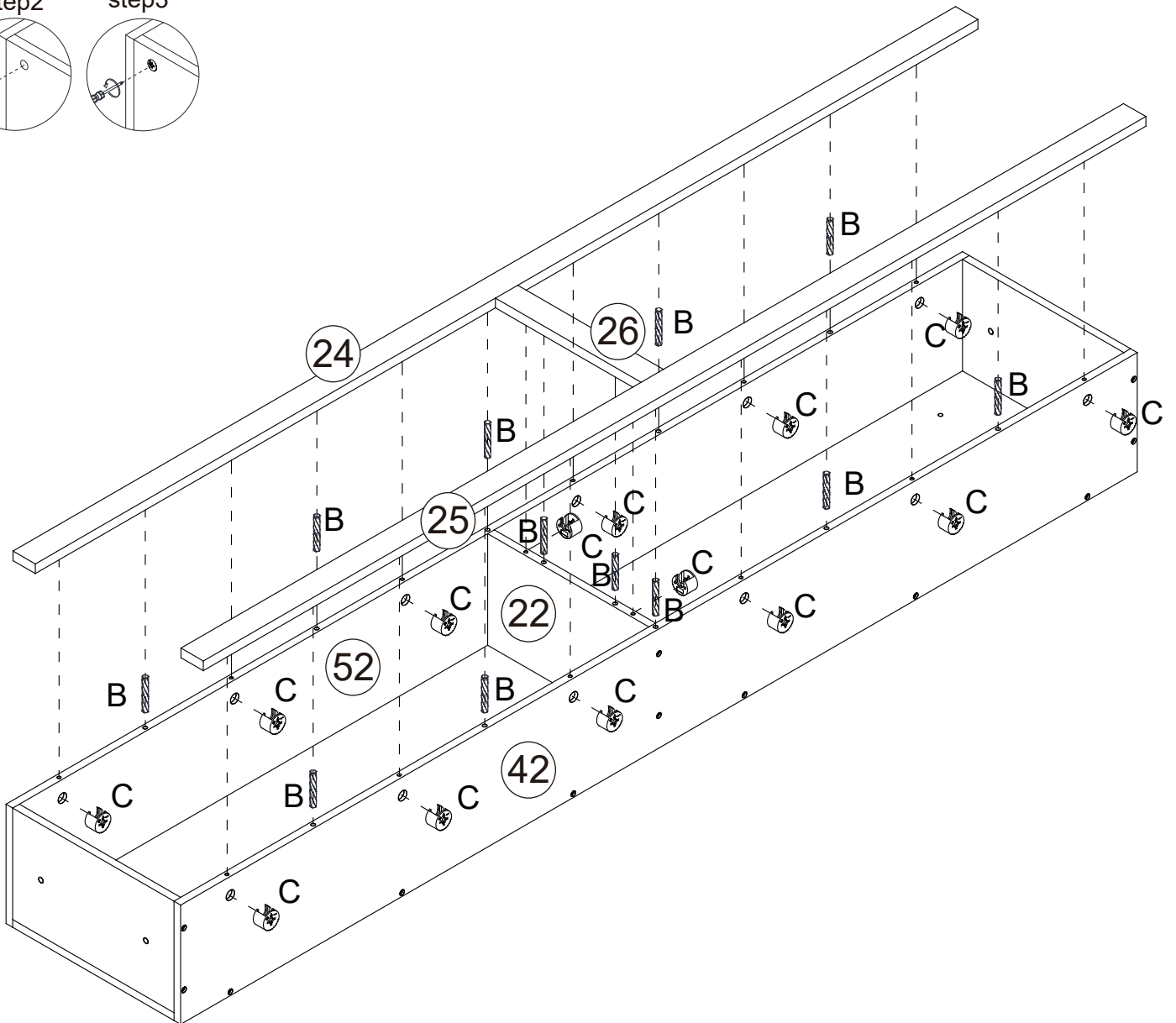
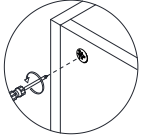
step1





step2



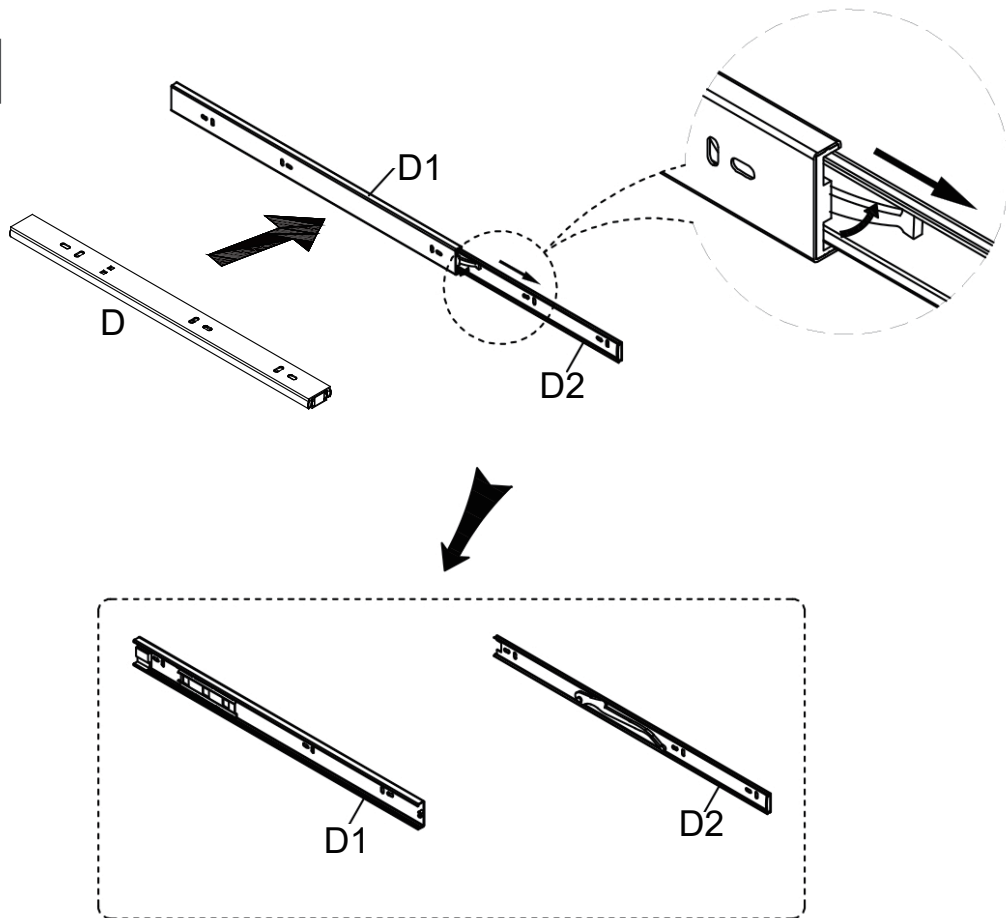
step3



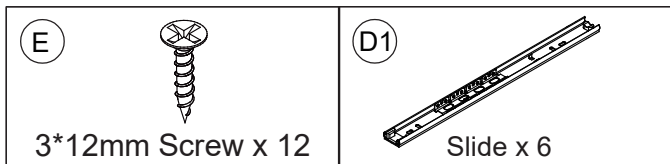
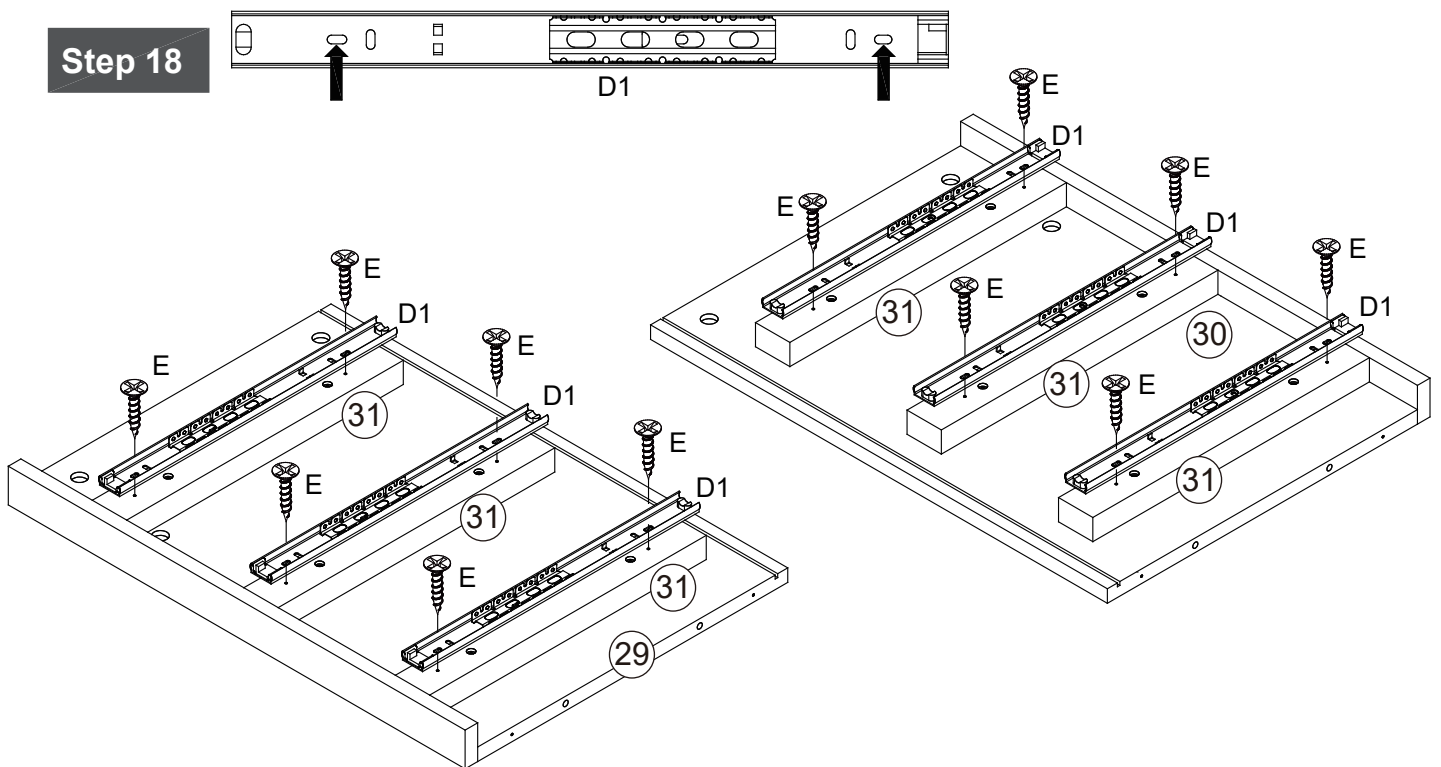
<p>(B)</p>  <p>6*30mm Dowel x 12</p>	<p>(C)</p>  <p>Cam lock x 14</p>
---	---

Assembly Instructions

Step 17

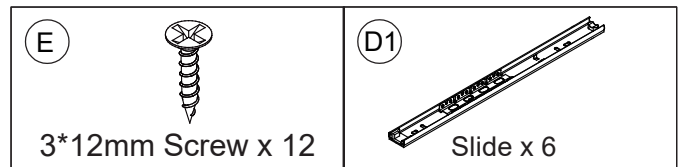
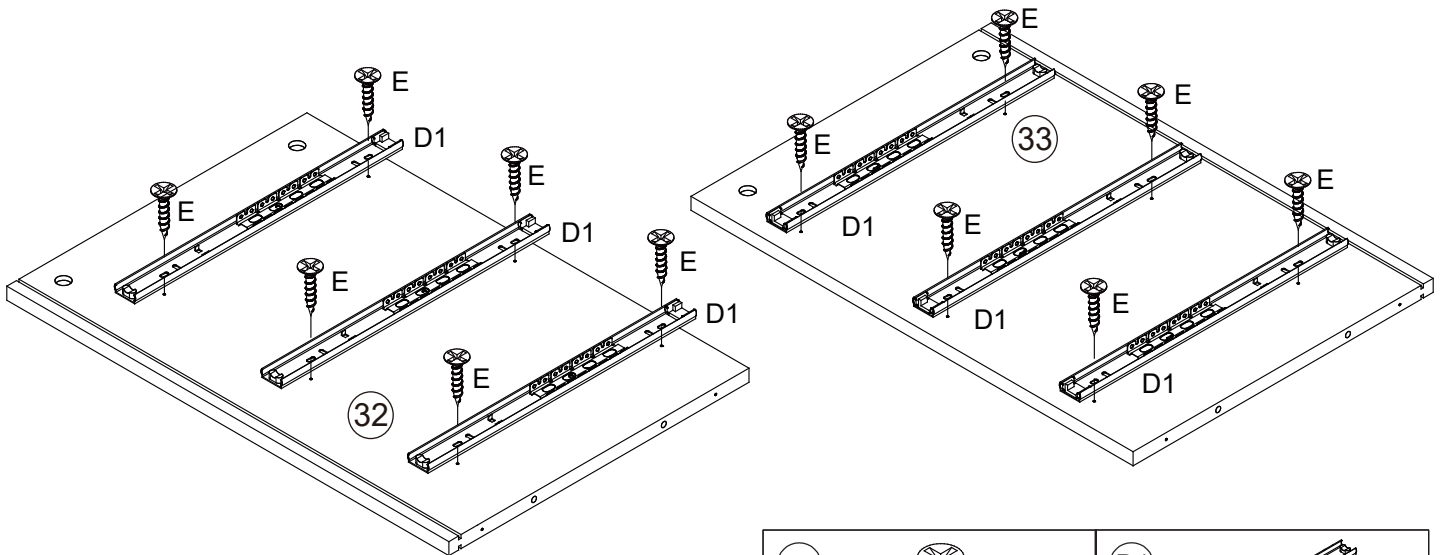
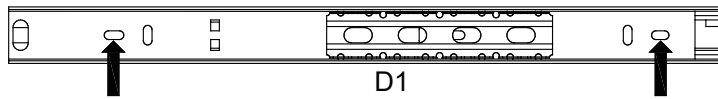


Step 18

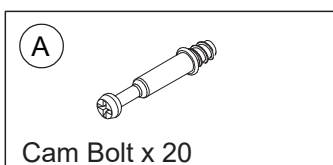
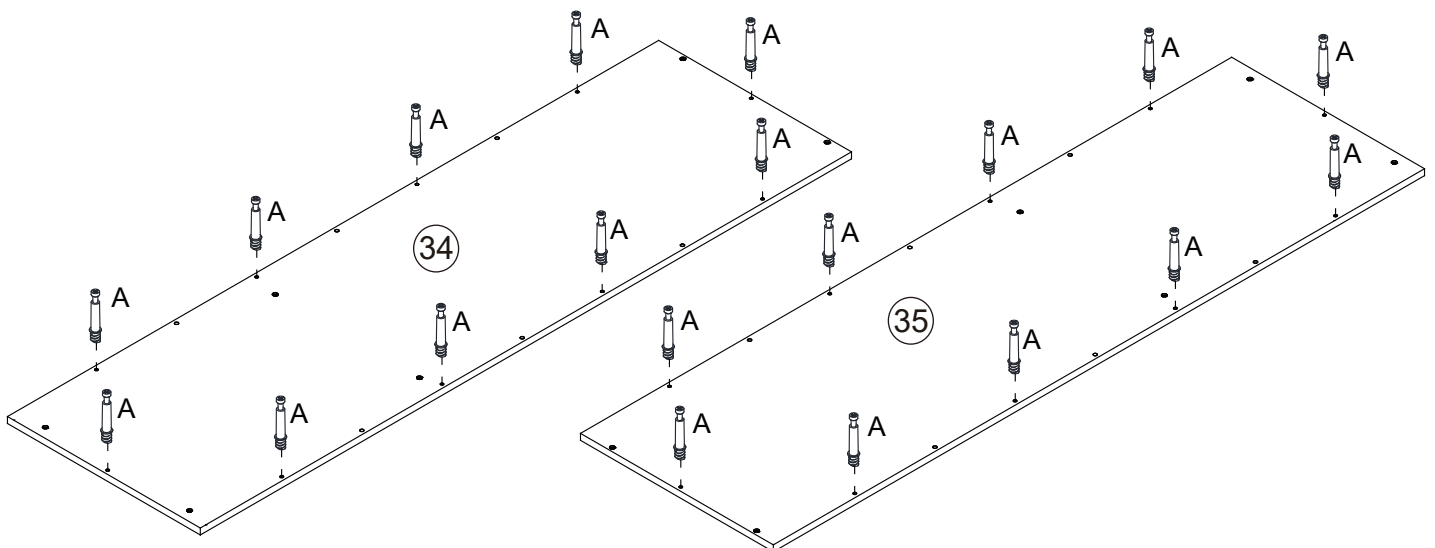


Assembly Instructions

Step 19

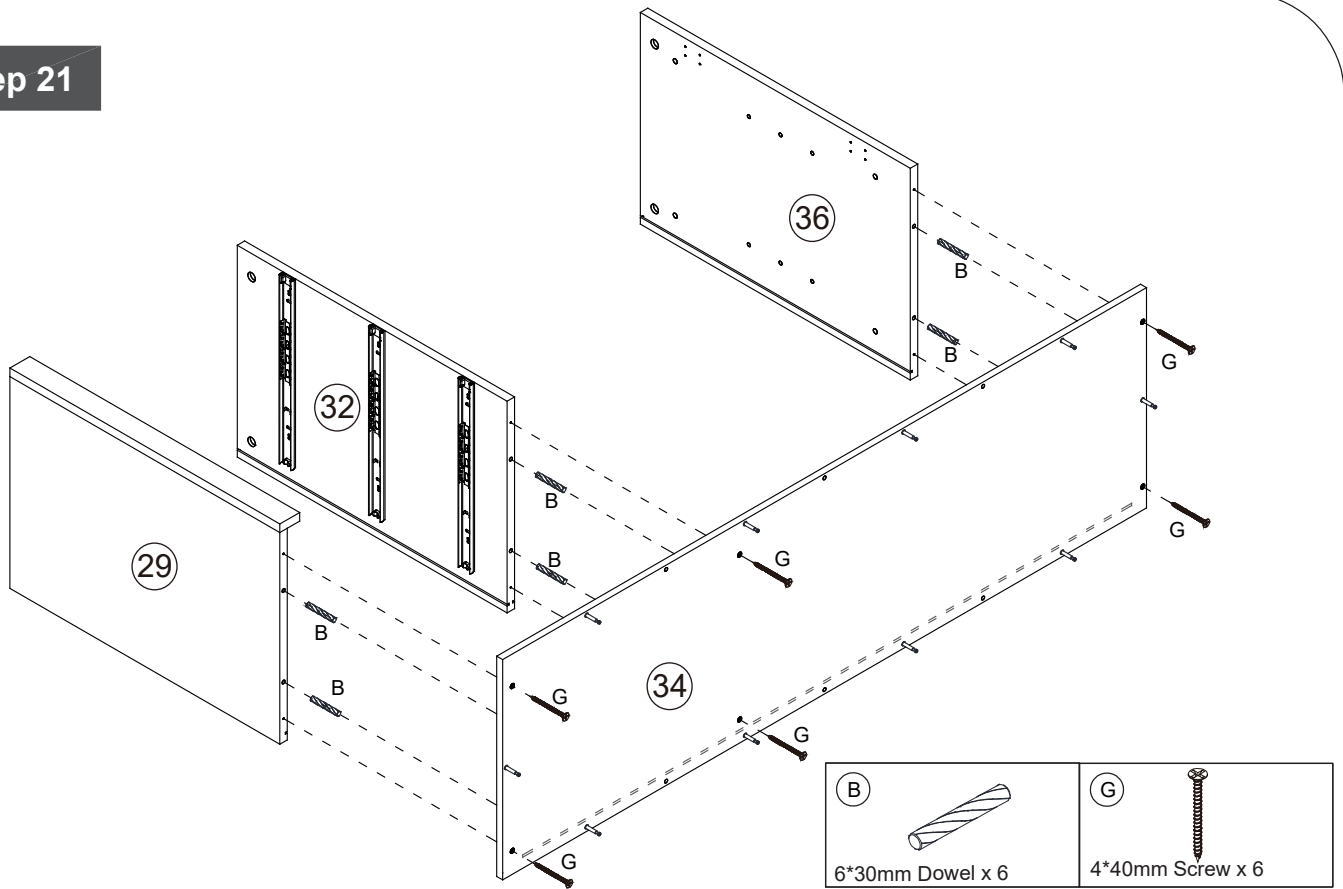


Step 20

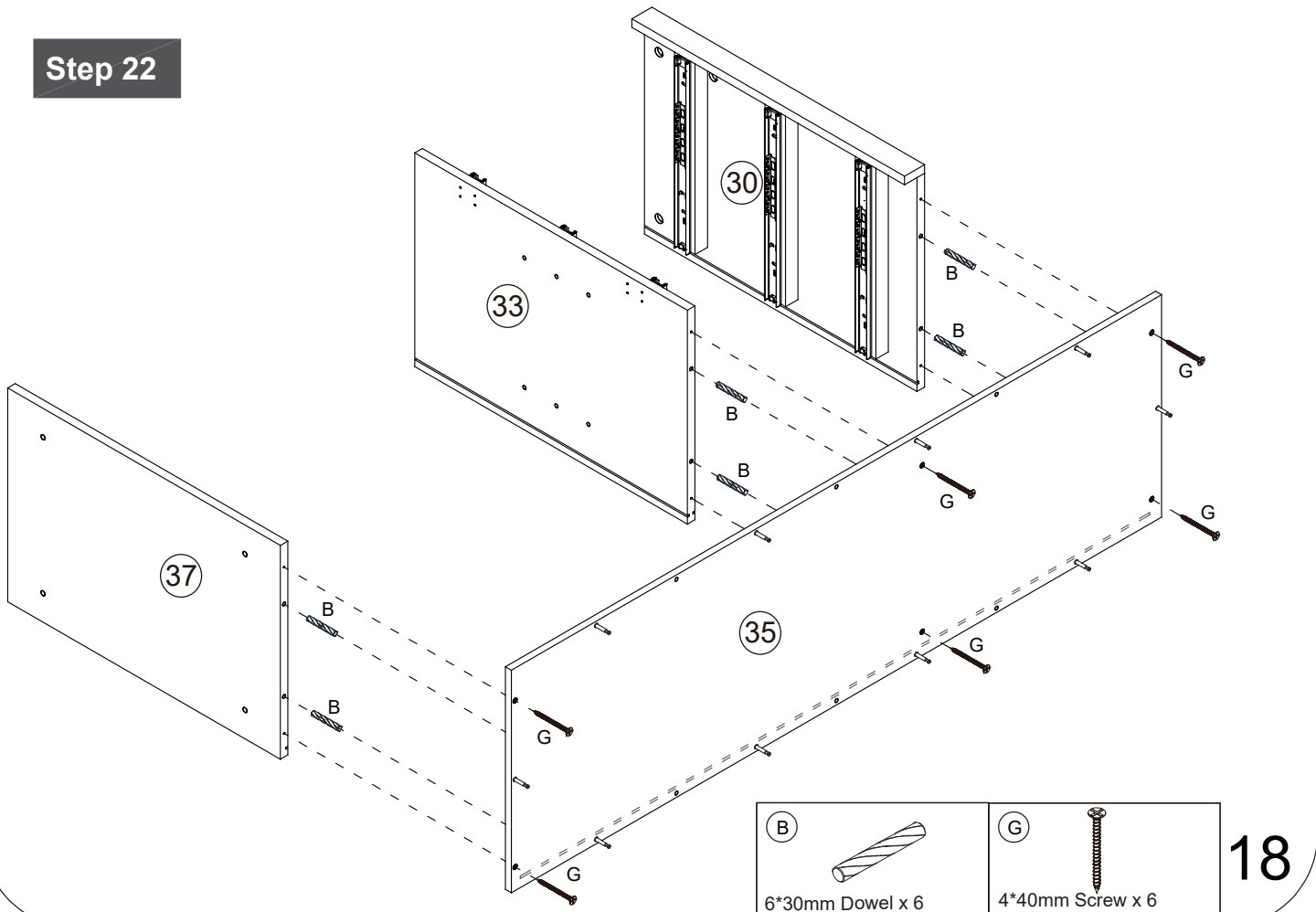


Assembly Instructions

Step 21

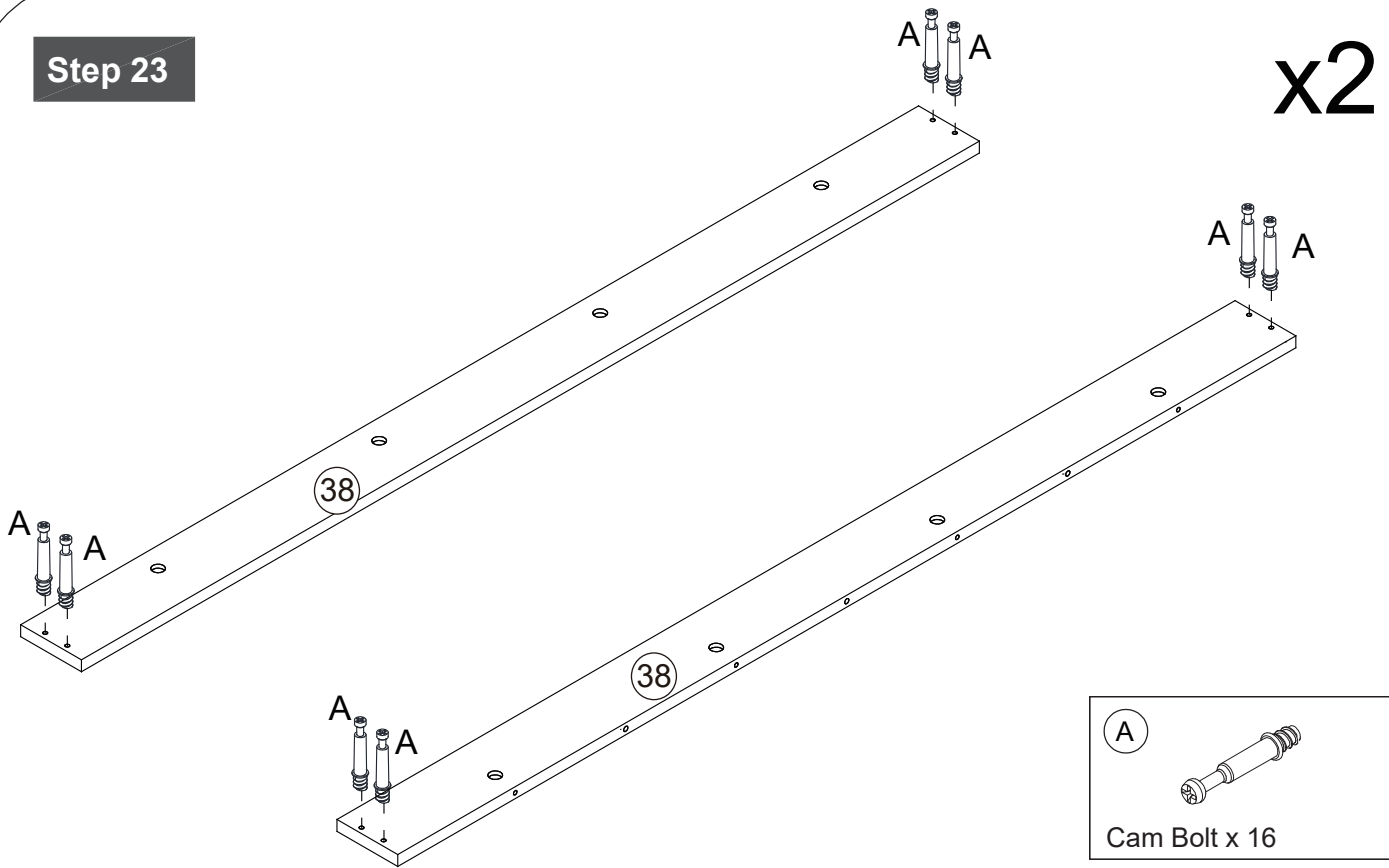


Step 22

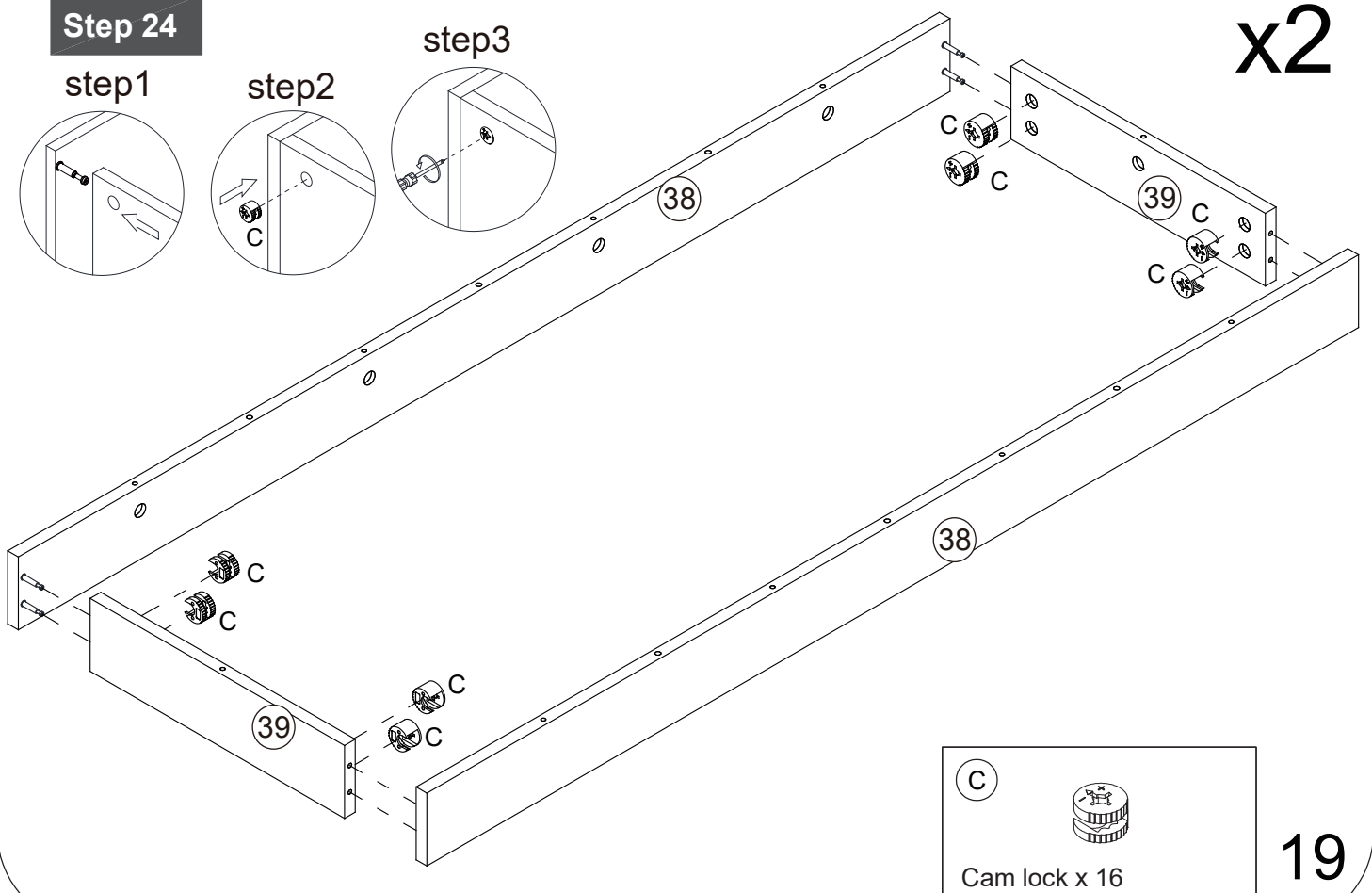


Assembly Instructions

Step 23

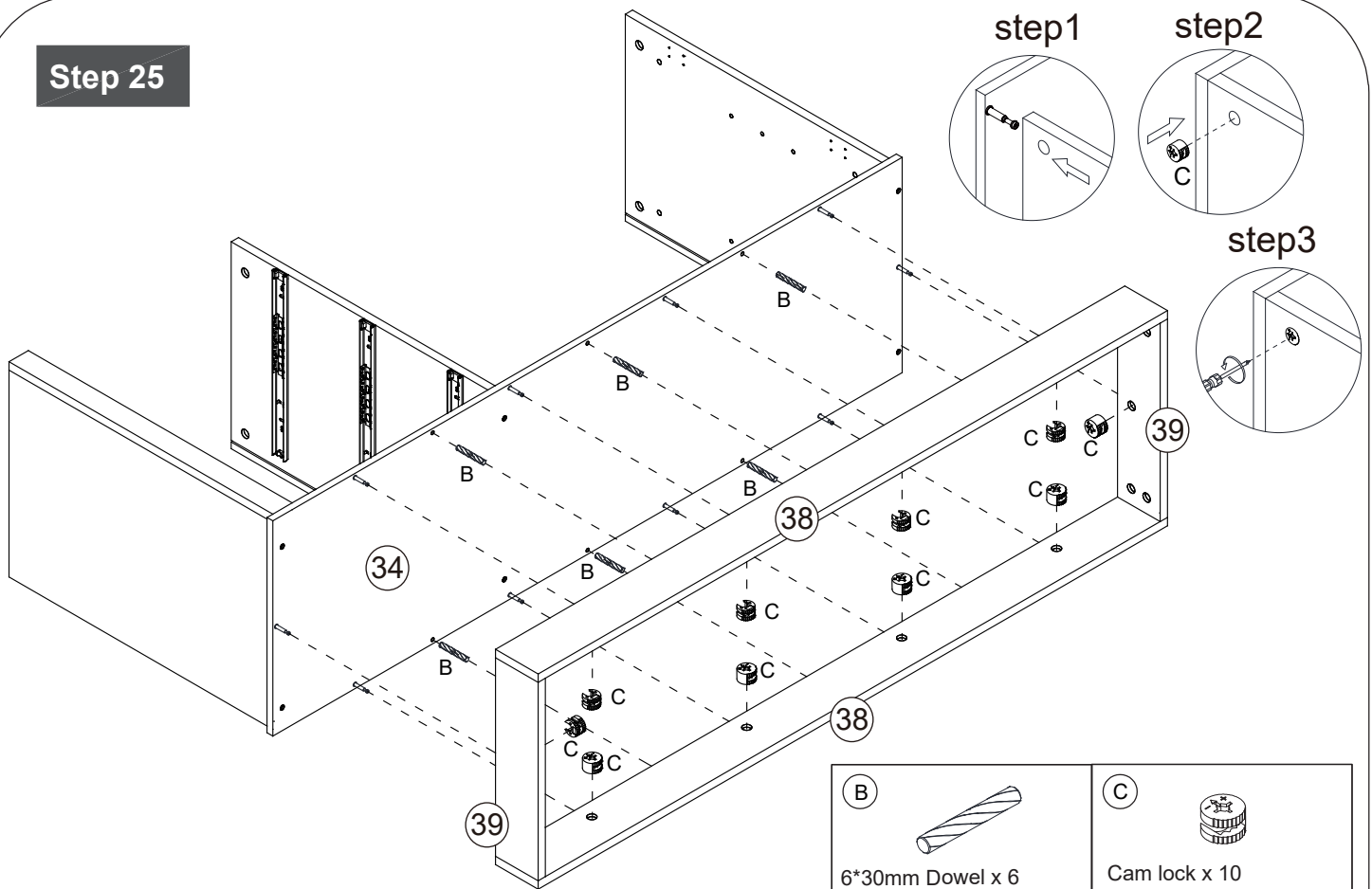


Step 24

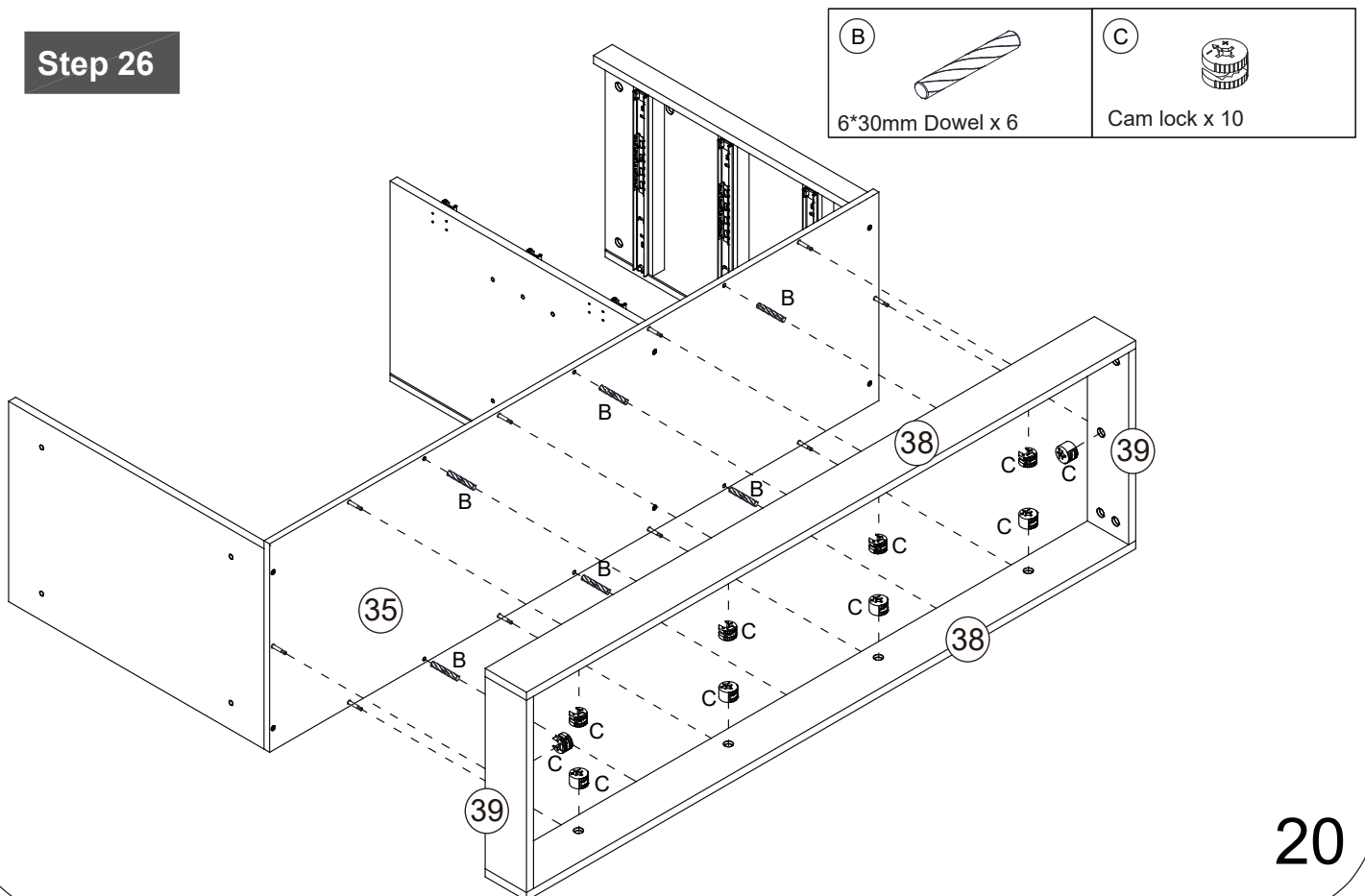


Assembly Instructions

Step 25

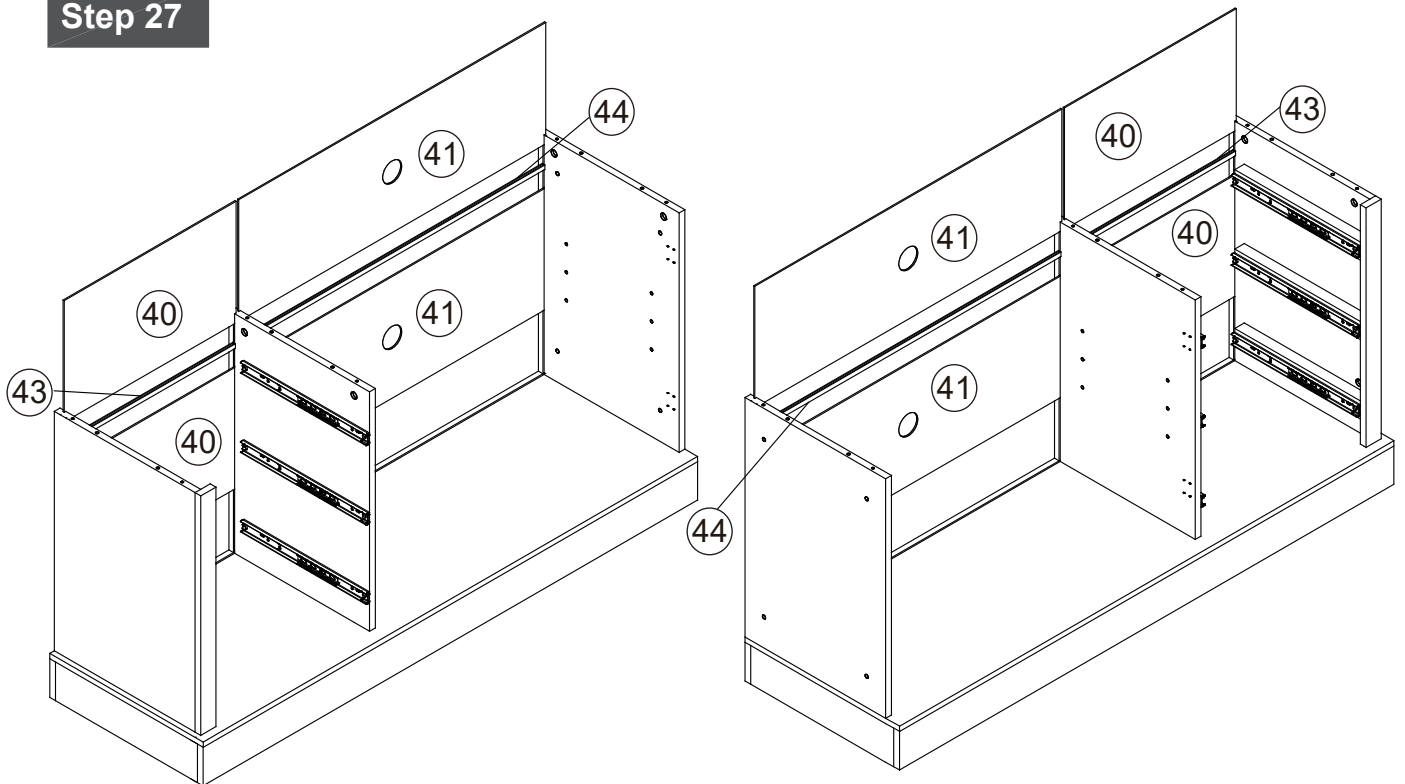


Step 26

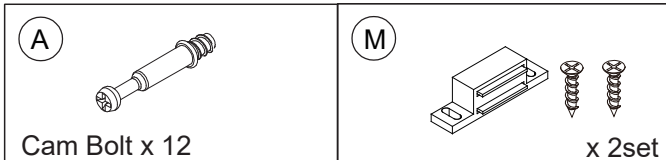


Assembly Instructions

Step 27



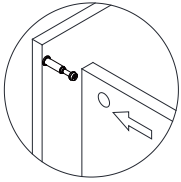
Step 28



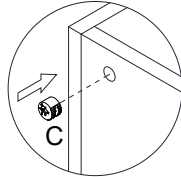
Assembly Instructions

Step 29

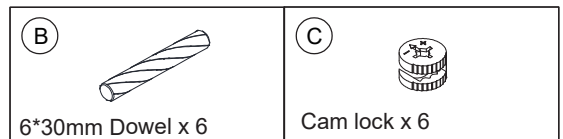
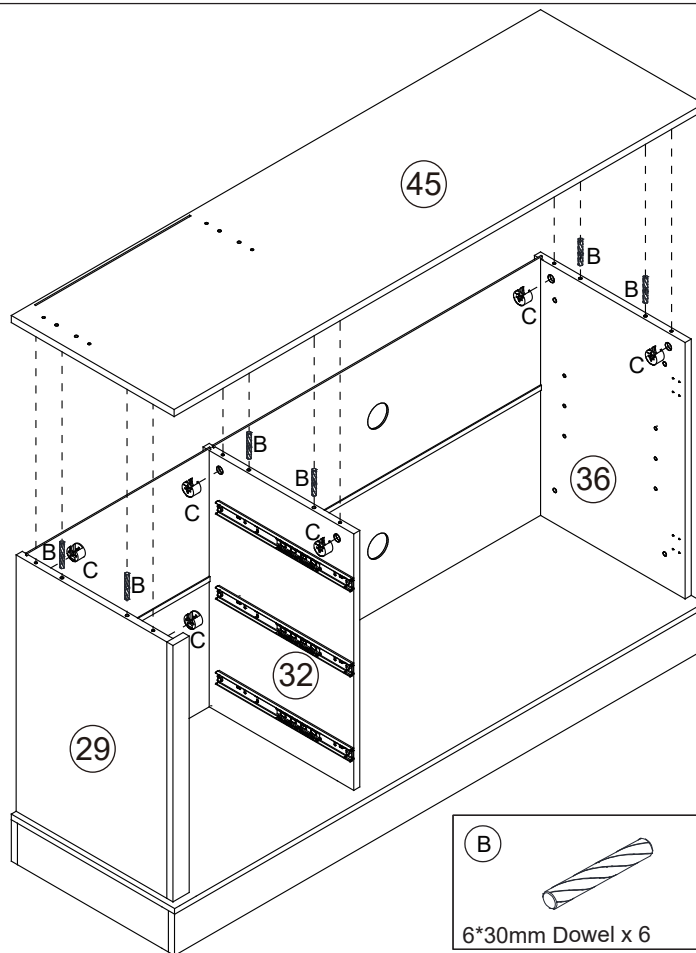
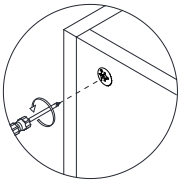
step1



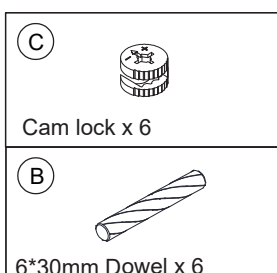
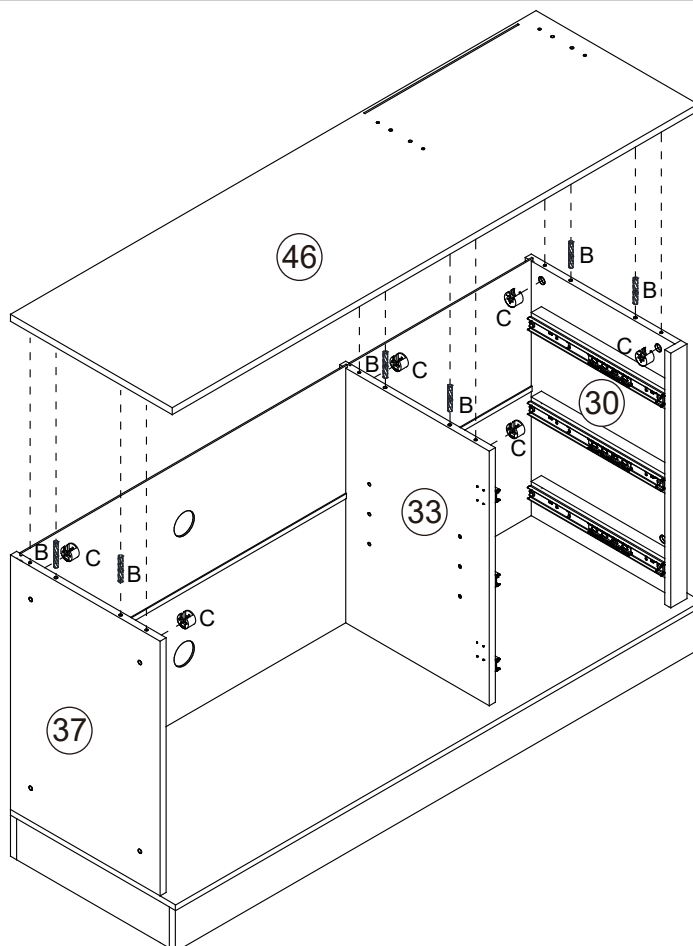
step2



step3

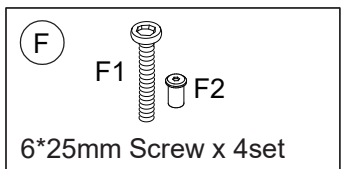
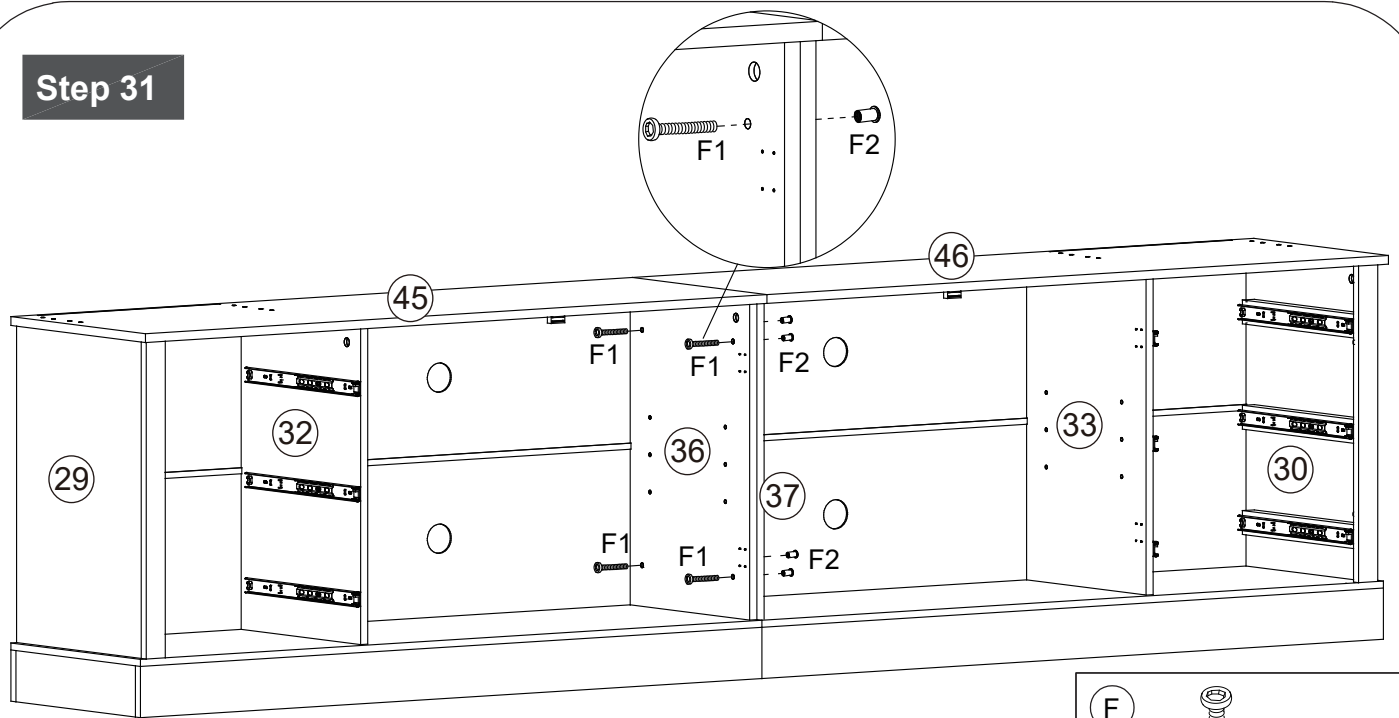


Step 30

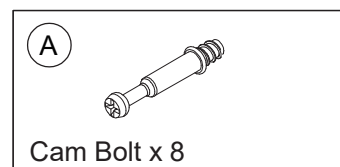
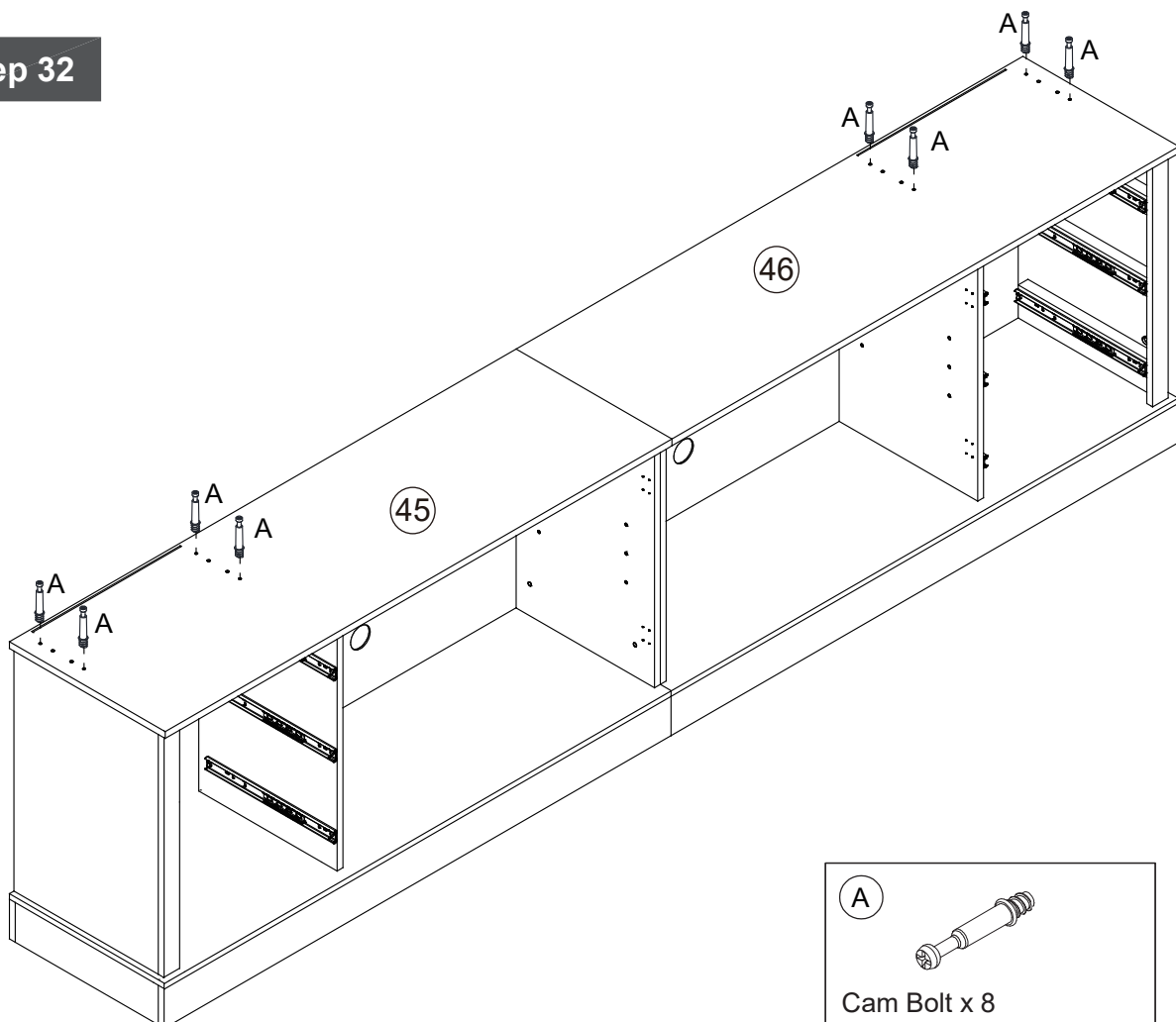


Assembly Instructions

Step 31

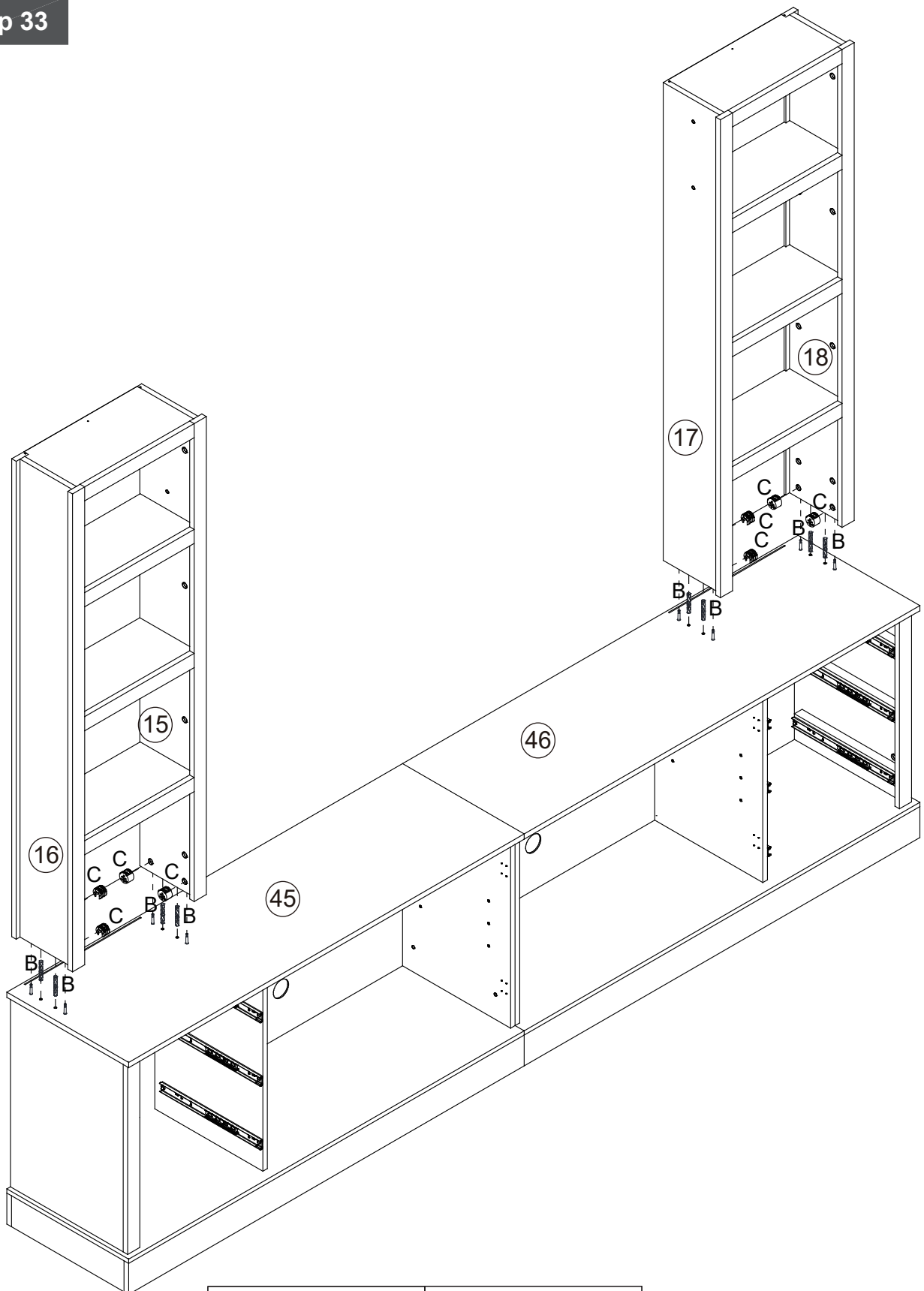


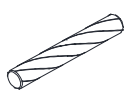

Step 32



Assembly Instructions

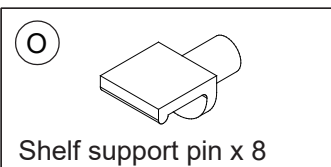
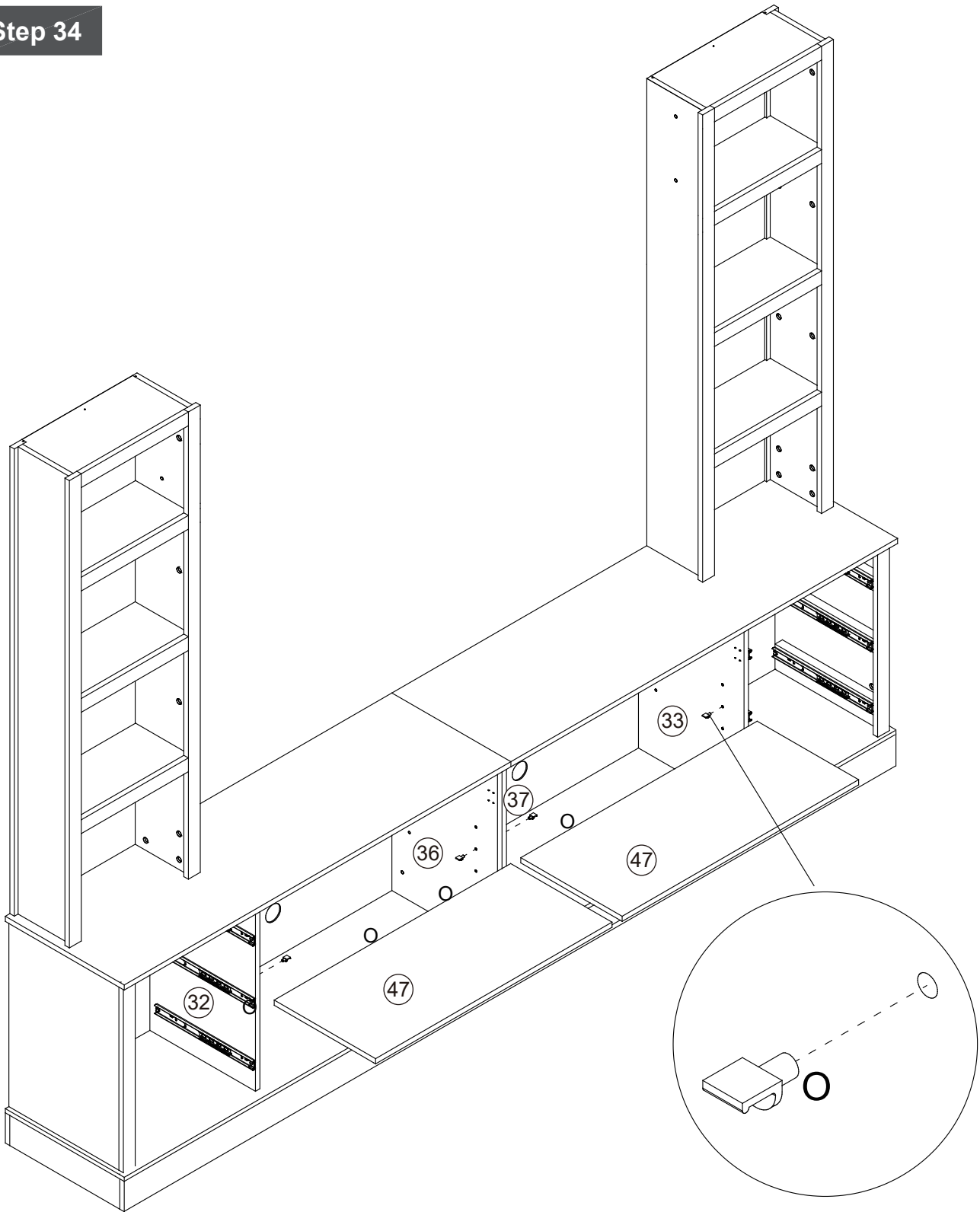
Step 33



<p>(B)  6*30mm Dowel x 8</p>	<p>(C)  Cam lock x 8</p>
---	---

Assembly Instructions

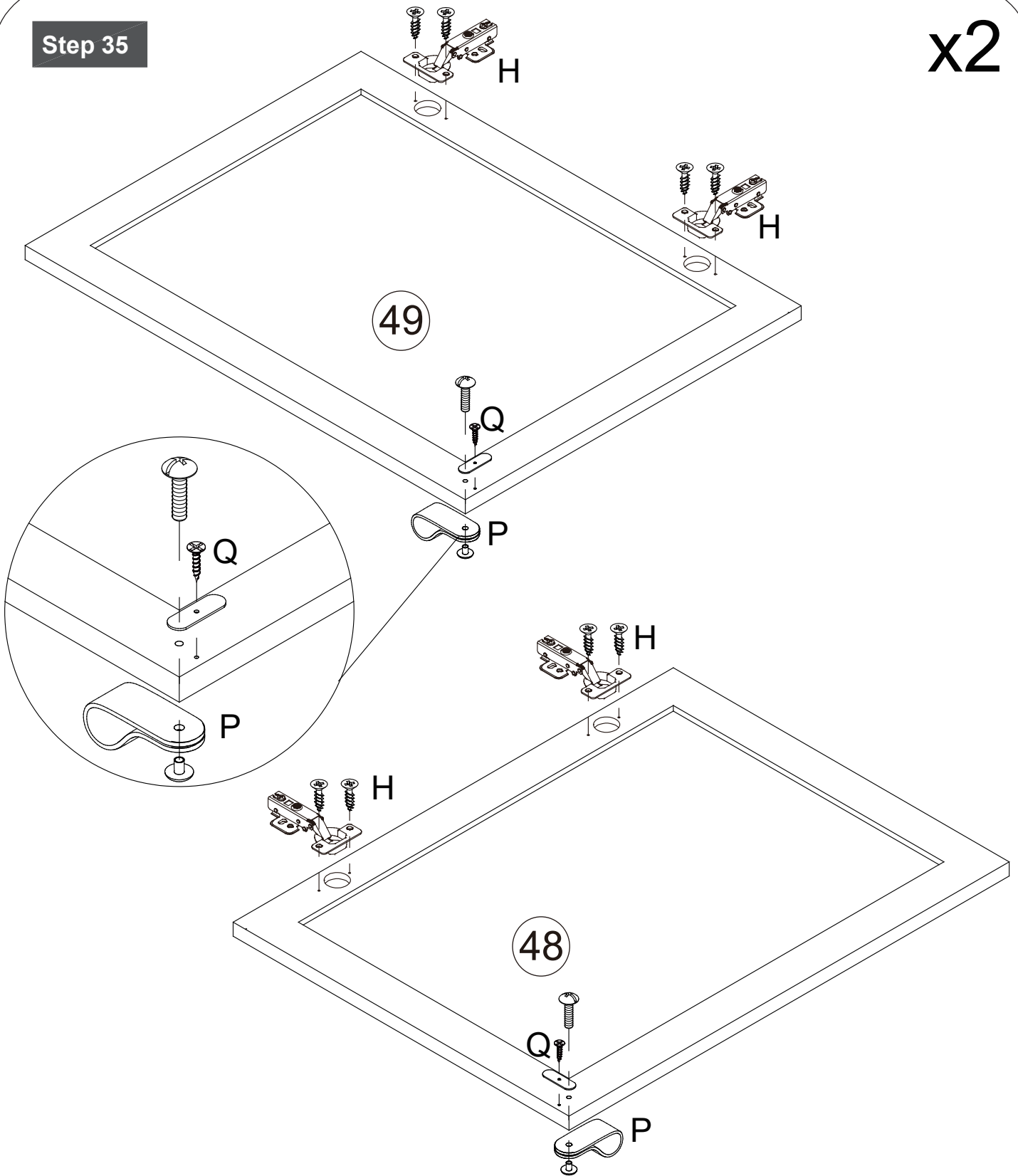
Step 34



Assembly Instructions

Step 35

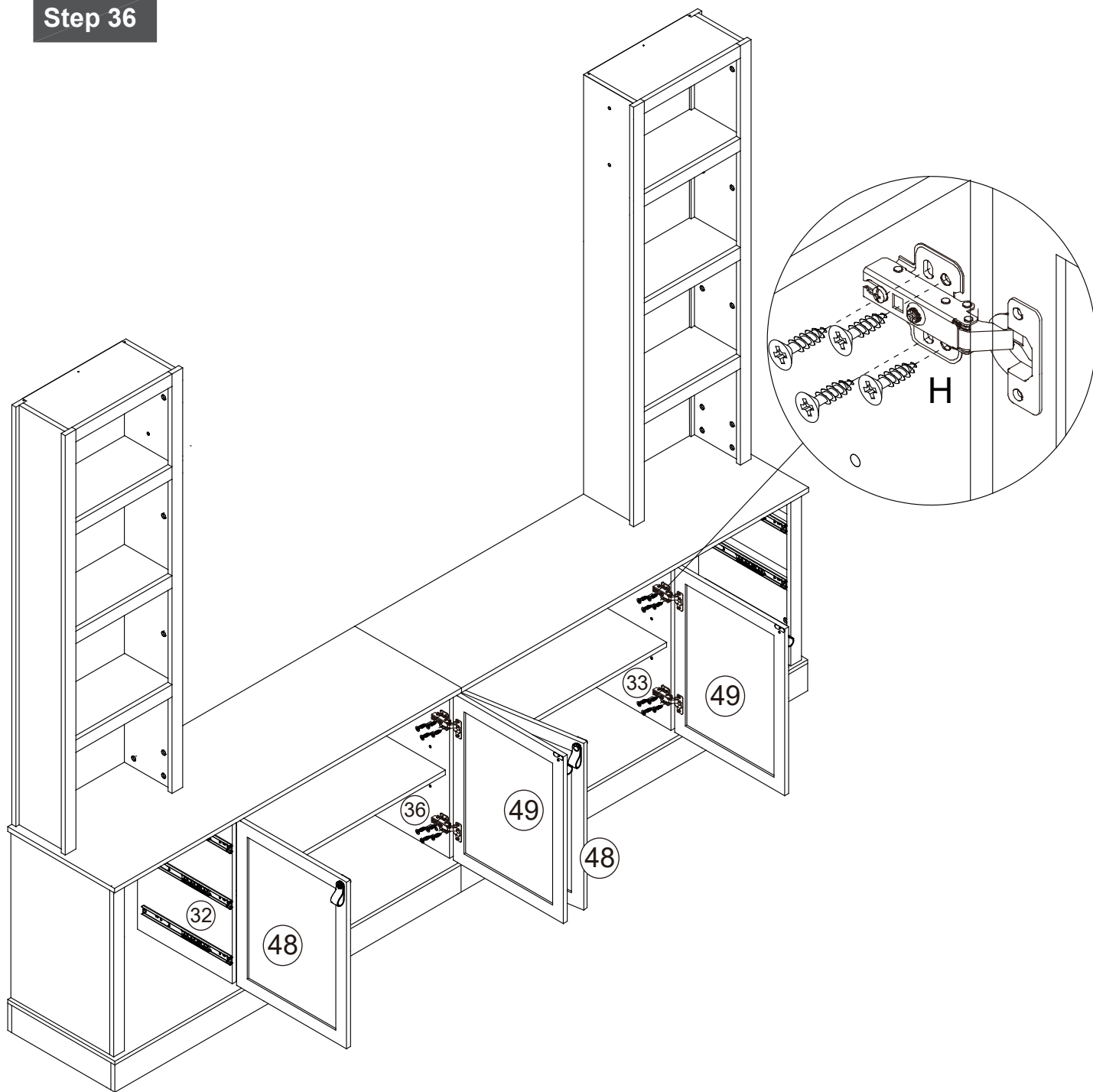
x2



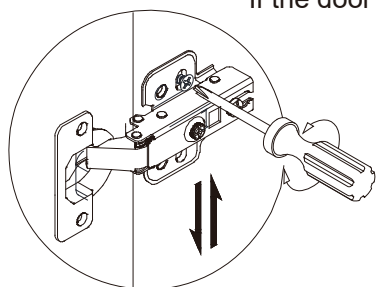
 <p>(H) 3.5*14mm Hinge x 8set</p>	 <p>(P) 4*18mm Handle x 4set</p>	 <p>(Q) x 4set</p>
--	---	--

Assembly Instructions

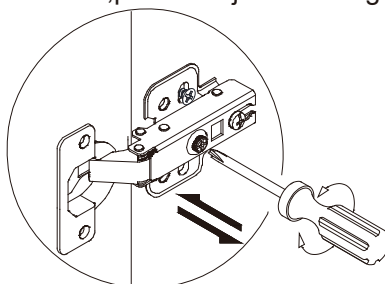
Step 36



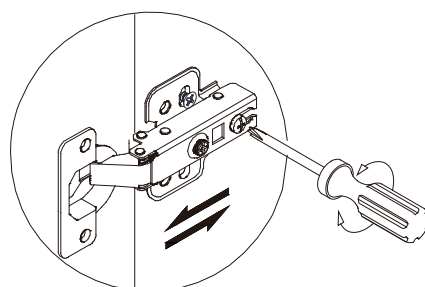
If the door can't close, please adjust the hinges as below.



This is used to adjust the door panel in the up and down direction.



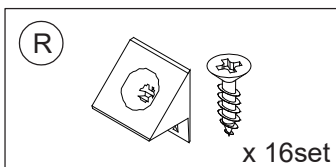
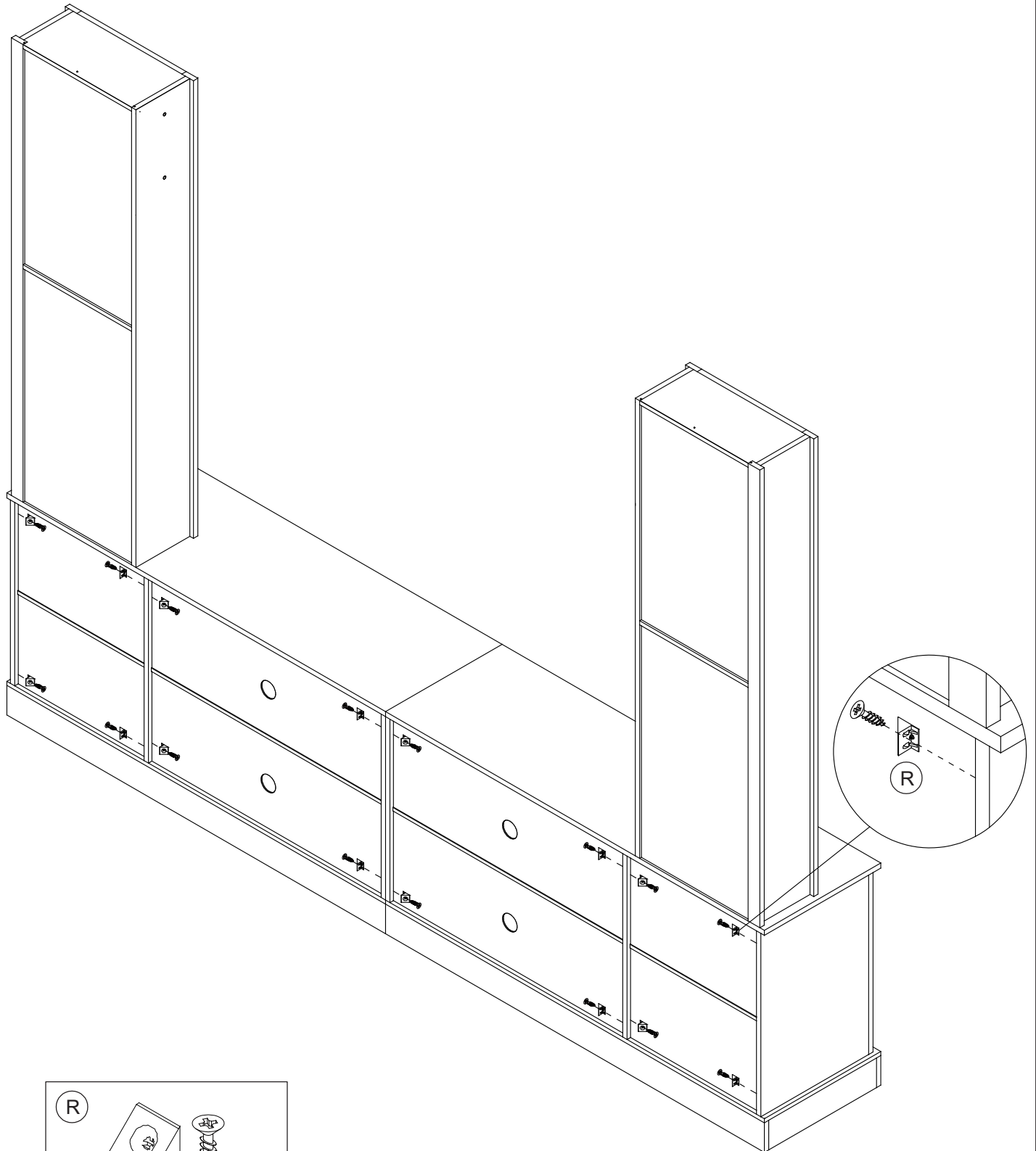
This is used to adjust the door panel in the left and right direction.



This is used to adjust the door panel in the front and rear.

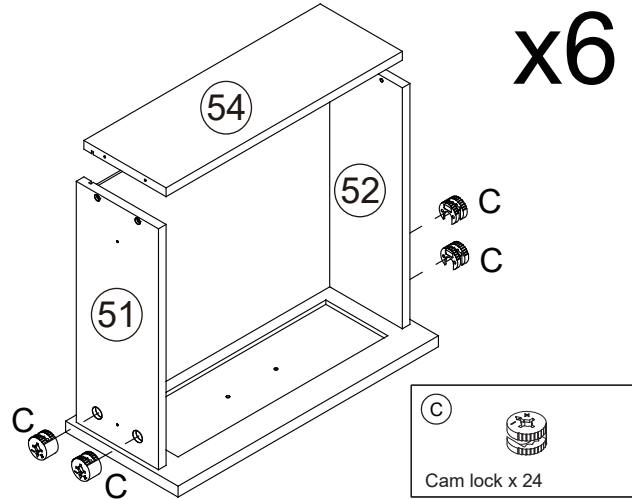
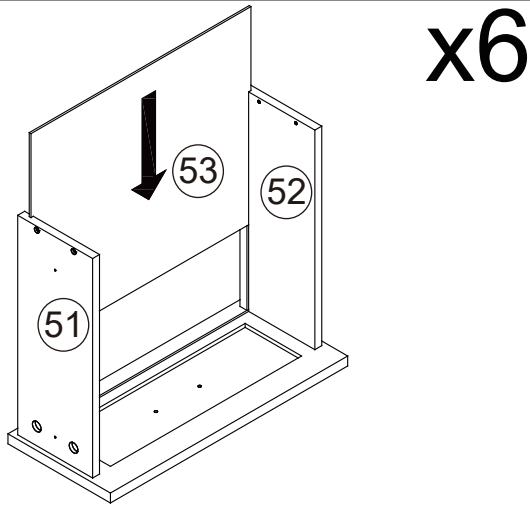
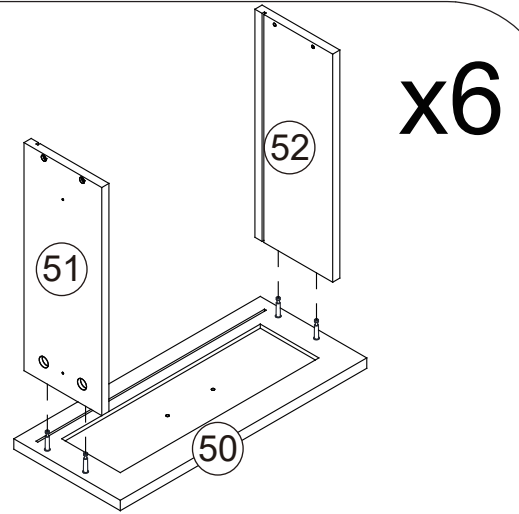
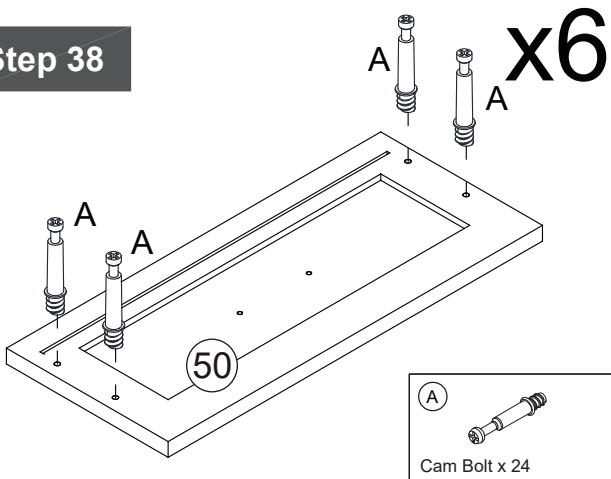
Assembly Instructions

Step 37

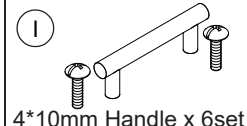
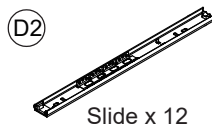
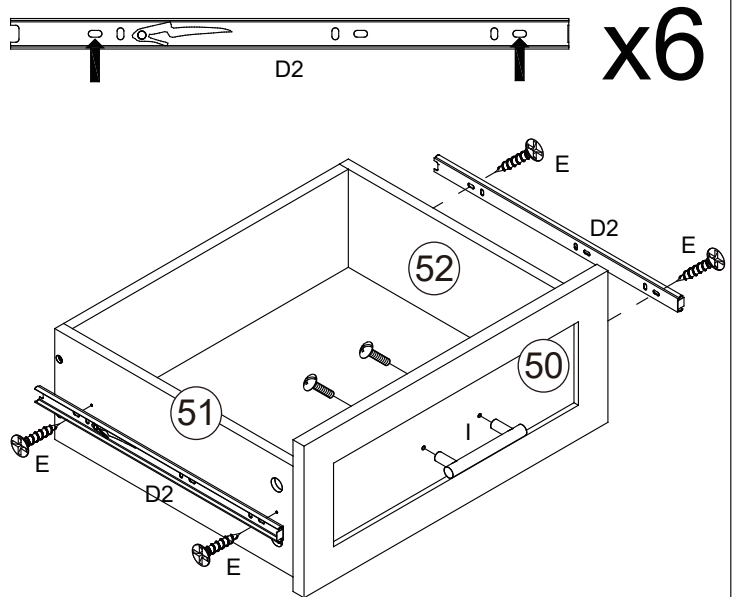
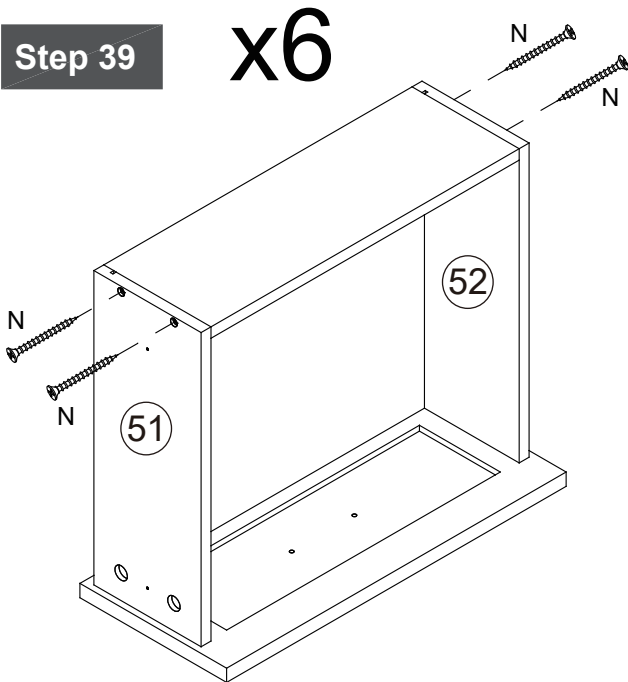


Assembly Instructions

Step 38

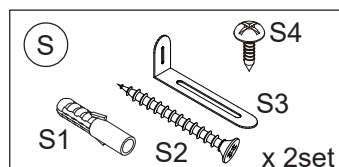
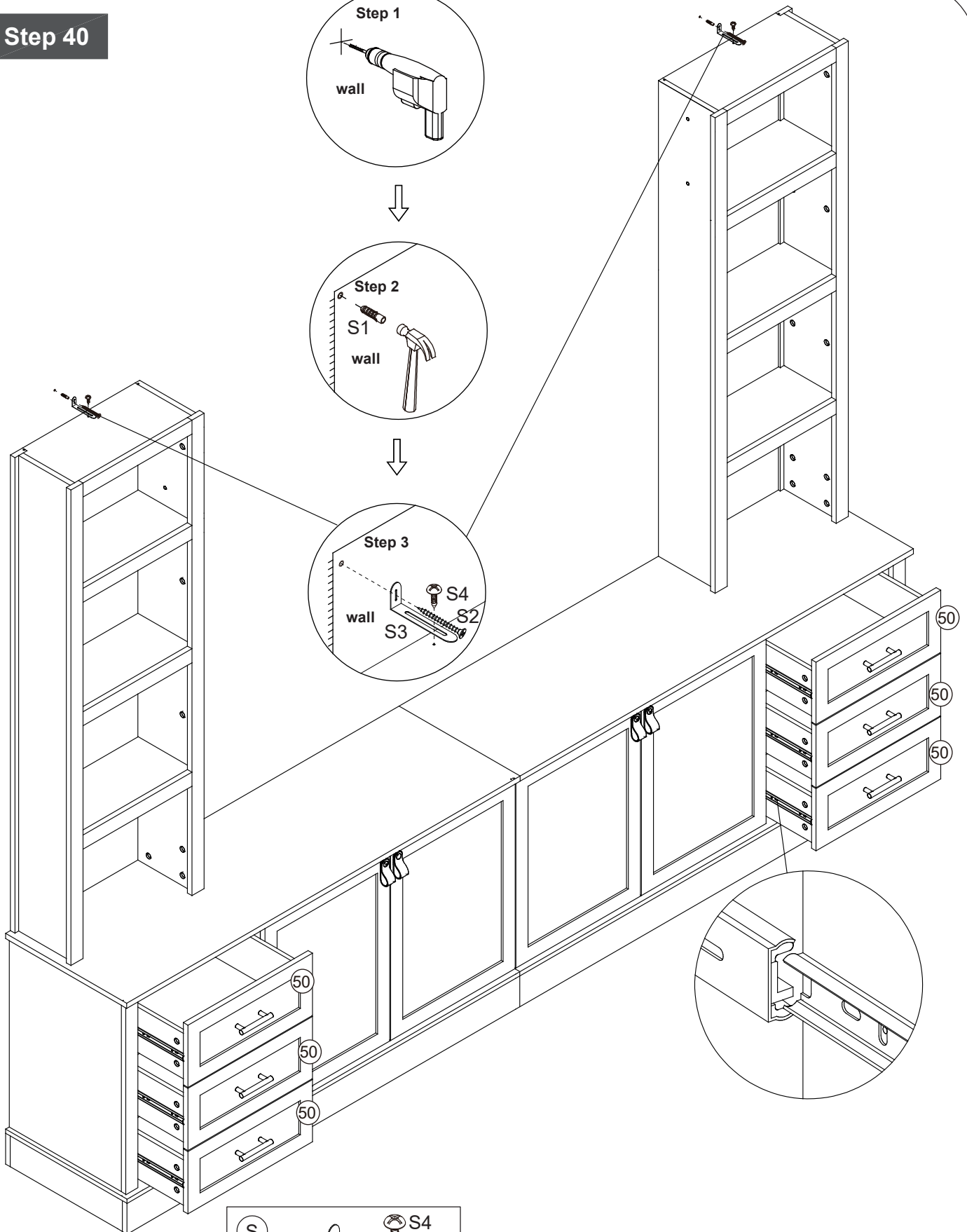
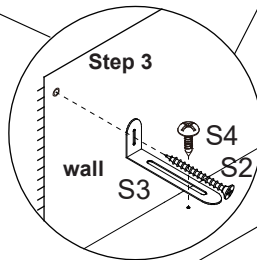
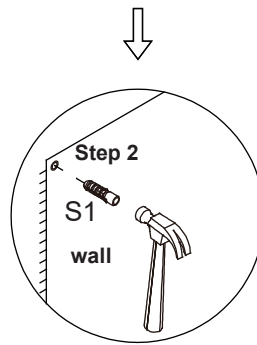
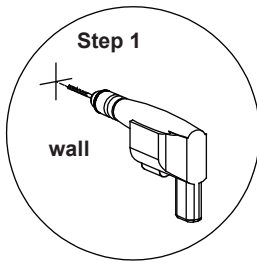


Step 39



Assembly Instructions

Step 40

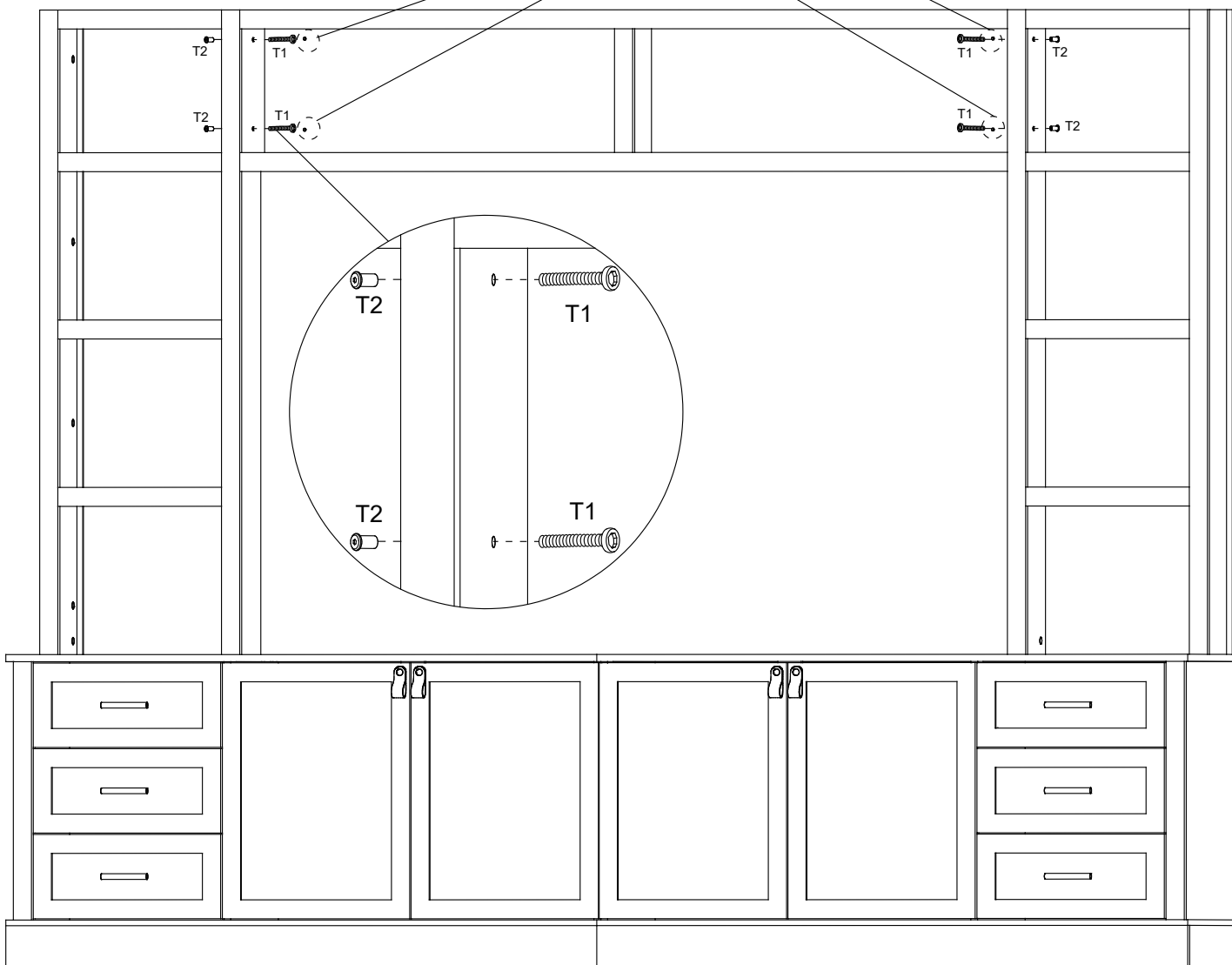
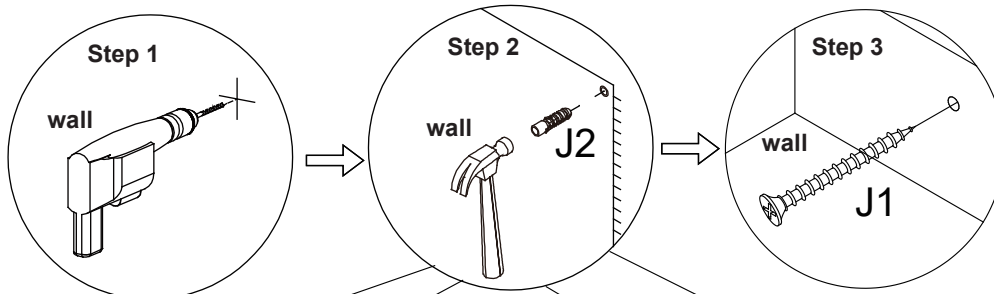


Assembly Instructions

Step 41

OPTIONS 1

There is 2 ways of installation.

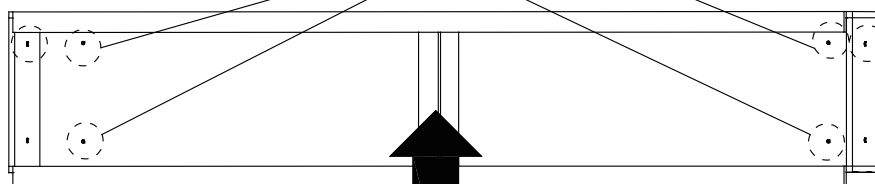
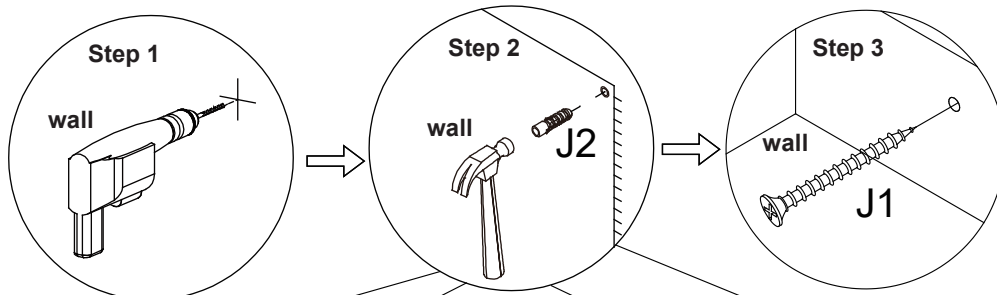


 T1 T2 6*20mm Screw x 4set	 J1 J2 x4
----------------------------------	-----------------

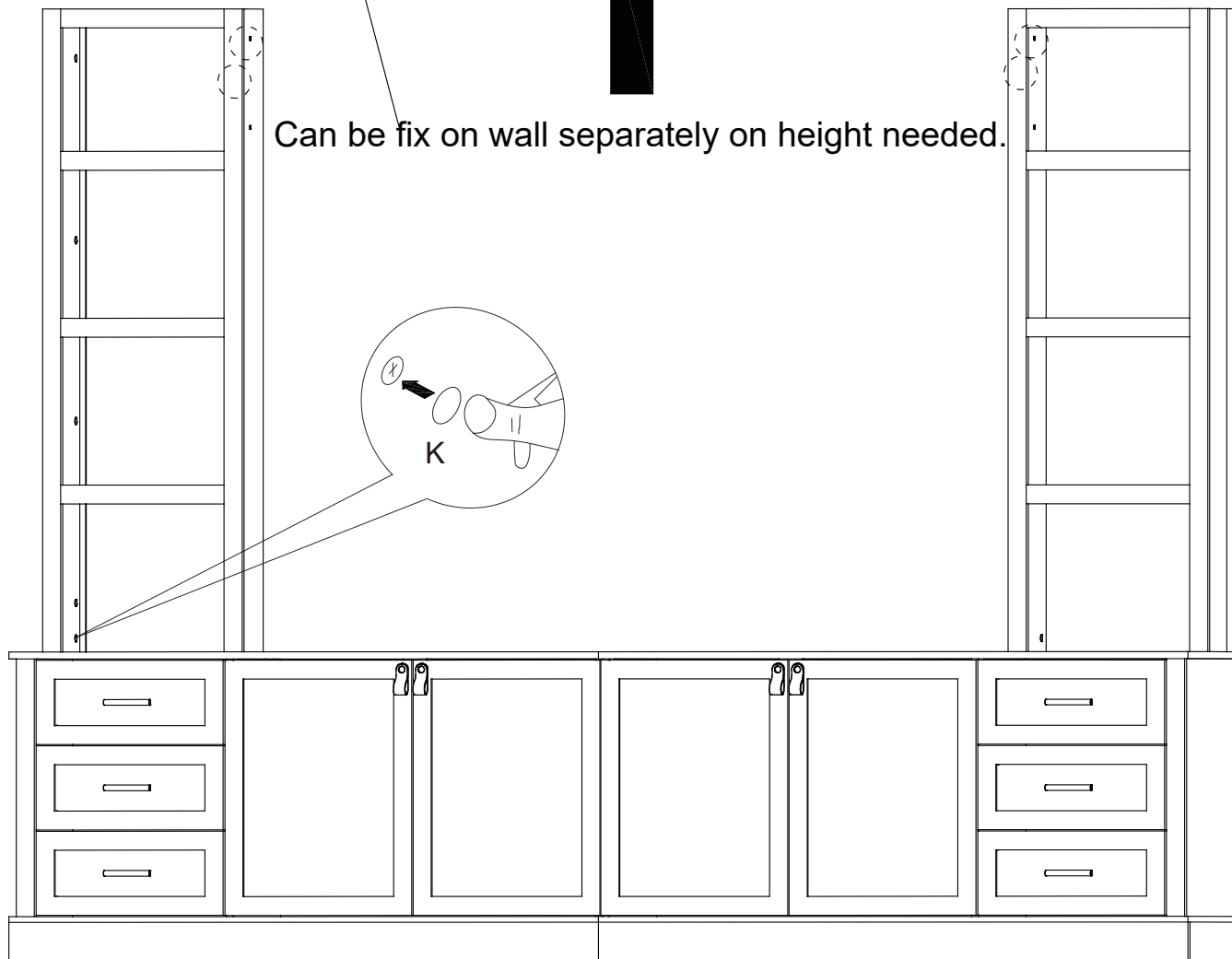
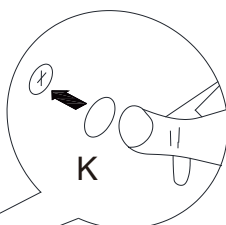
Assembly Instructions

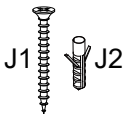
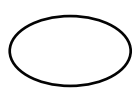
Step 41

OPTIONS 2



Can be fix on wall separately on height needed.



<p>(J)</p>  <p>J1 J2</p>	<p>(K)</p>  <p>x4 Perfect fit x 100</p>
---	--

Assembly Instructions

Finish

