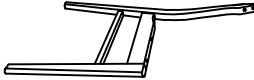
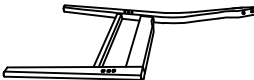





ASSEMBLY INSTRUCTIONS FOR ACME FURNITURE

MODEL#DN04181

Thank you for purchasing the quality product. Be sure to check all packing material carefully for small parts which may have come loose inside the carton during shipment. Separate, identify and count all parts and metal hardware. Compare with all parts list to be sure all parts are present. If any part(s) are missing or damaged, please contact your local furniture dealer. For efficient and speedy service, please indicate the model number and code letter of part(s) needed.

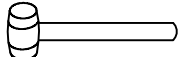
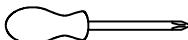
*** Do not fully tighten screws until fully assembled ***

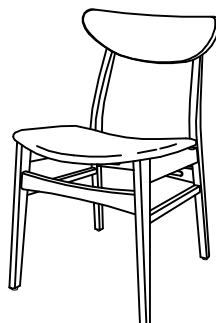
COMPONENT PARTS		
DESCRIPTION	PART NAME	Q'TY(PCS)
①	SIDE FRAME (L) 	1
②	SIDE FRAME (R) 	1
③	RAIL 	2
④	TOP REST 	1
⑤	CUSHION SEAT 	1

HARDWARE REQUIRED

(A)		JCBC M6 x 45mm + S/W M6 + F/W M6 x 13mm	4	PCS
(B)		JCBC M6 x 25mm + S/W M6 + F/W M6 x 13mm	4	PCS
(C)		ALLEN KEY M4	1	PC
(D)		L-BRACKET	4	PCS
(E)		PH CB SCREW M4 x 12mm	8	PCS
(F)		DOWEL M8 x 25mm	2	PCS
(G)		PVC NAIL 5/8"	4	PCS
(H)		WOOD BUTTOM 14.5mm	4	PCS

TOOLS NEEDED

	(NOT PROVIDED)
	(NOT PROVIDED)



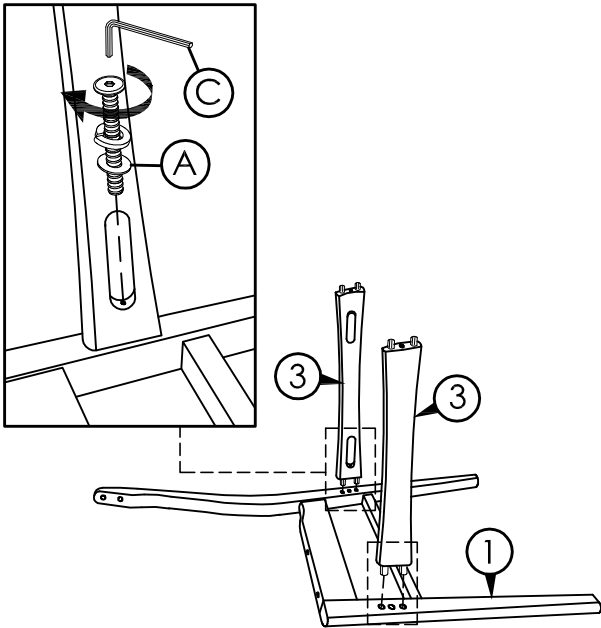
Attention

** Some number parts listed on the instruction sheet may not be in parts bag as they may already be assembled. Carefully check parts and packing materials prior to ordering replacements.

How to assemble:

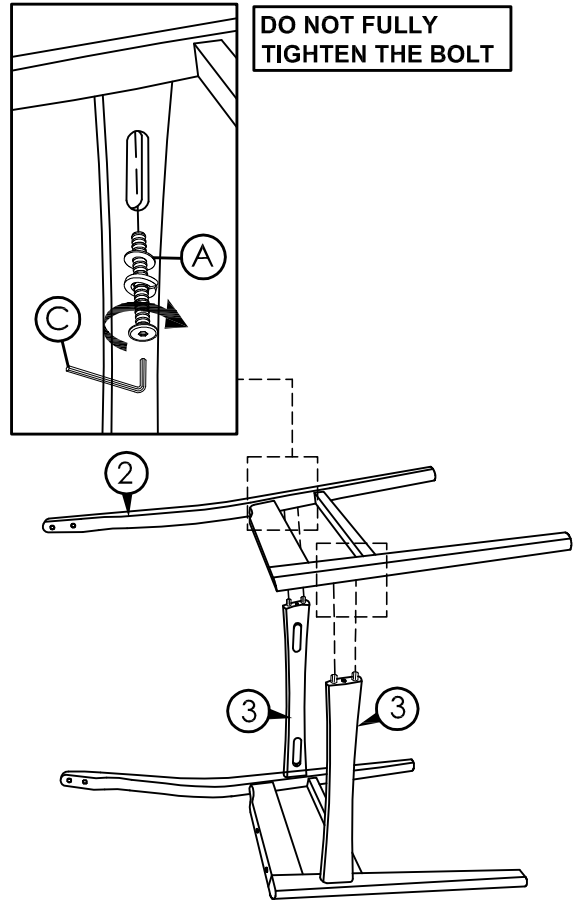
STEP 1

DO NOT FULLY TIGHTEN THE BOLT

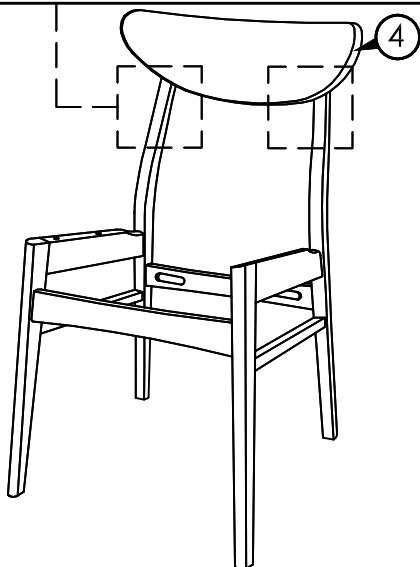
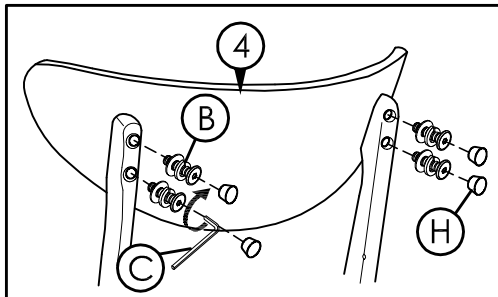


STEP 2

DO NOT FULLY TIGHTEN THE BOLT

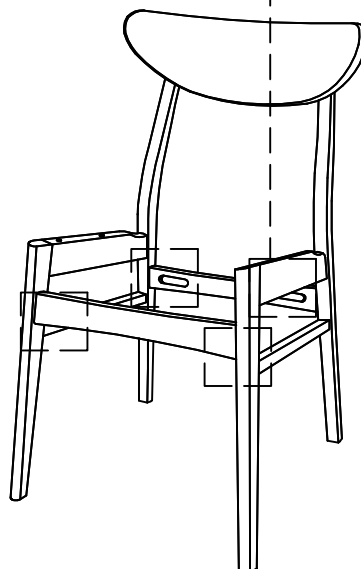
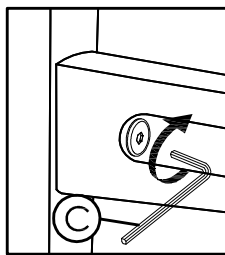


STEP 3

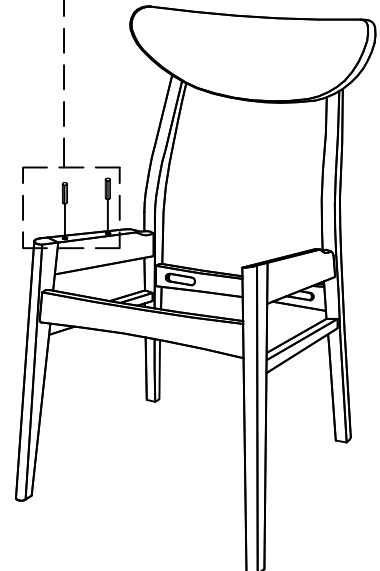
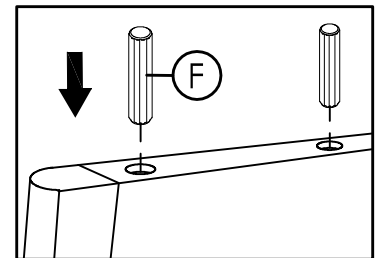


STEP 4

FULLY TIGHTEN ALL BOLTS

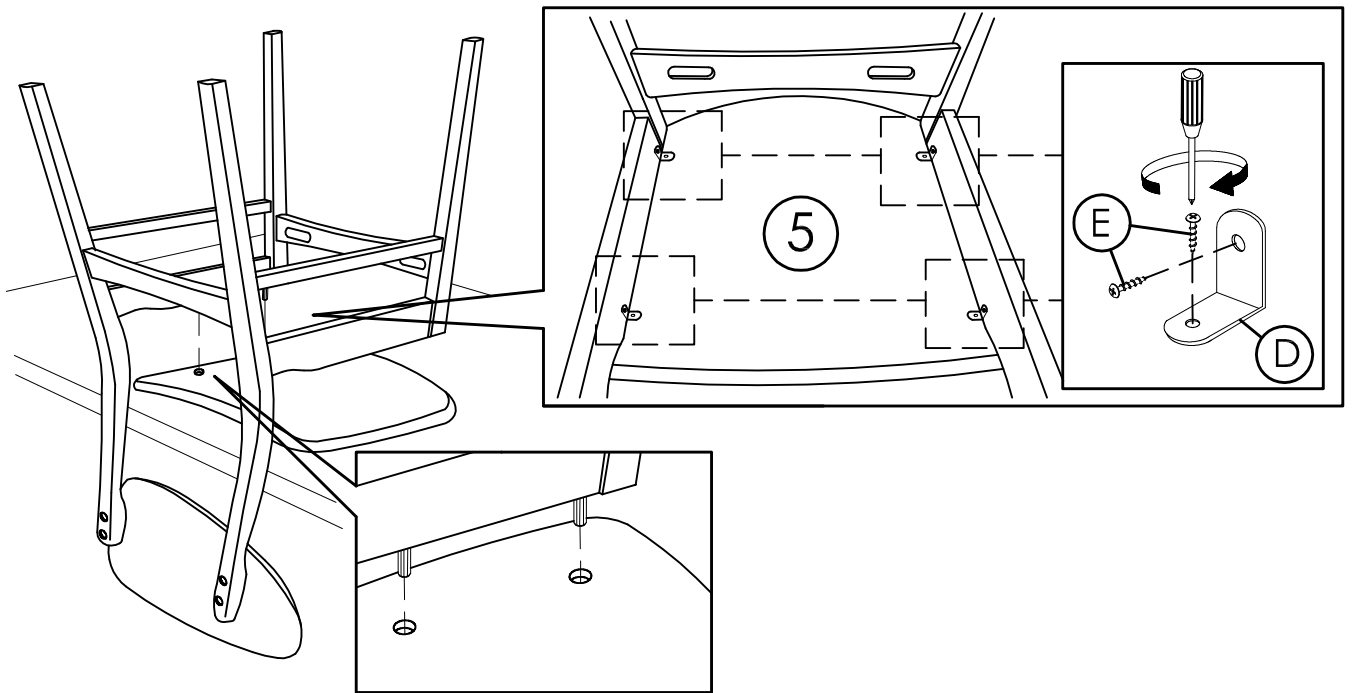


STEP 5

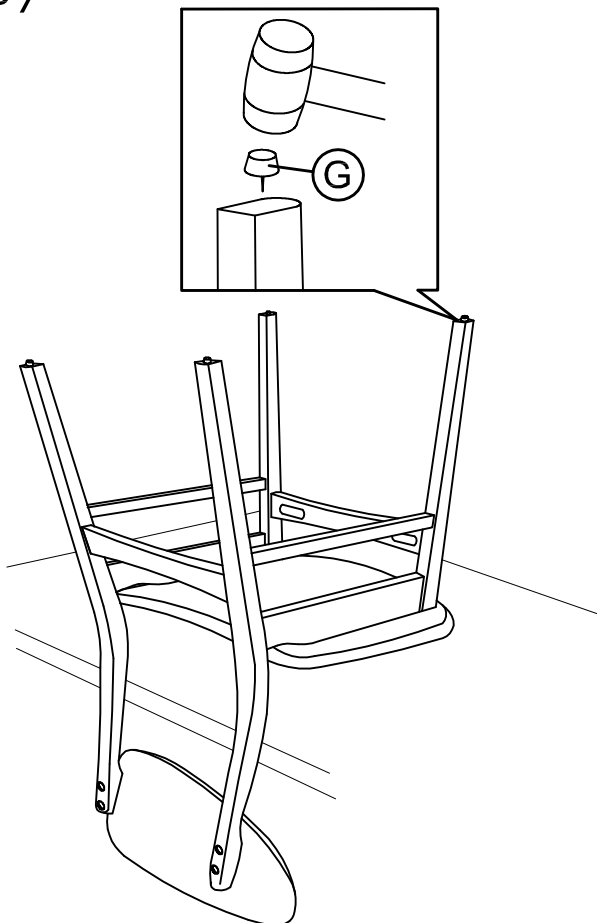


How to assemble:

STEP 6



STEP 7



STEP 8

