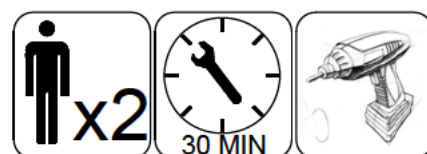
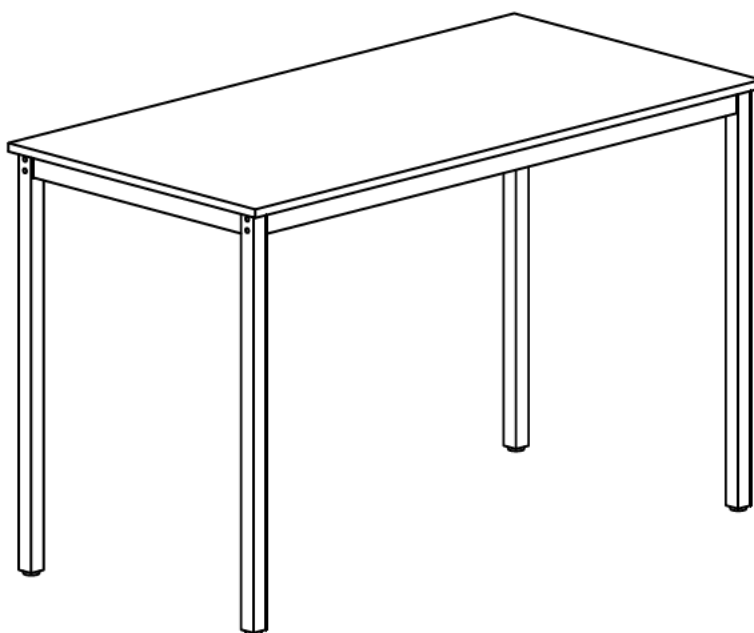
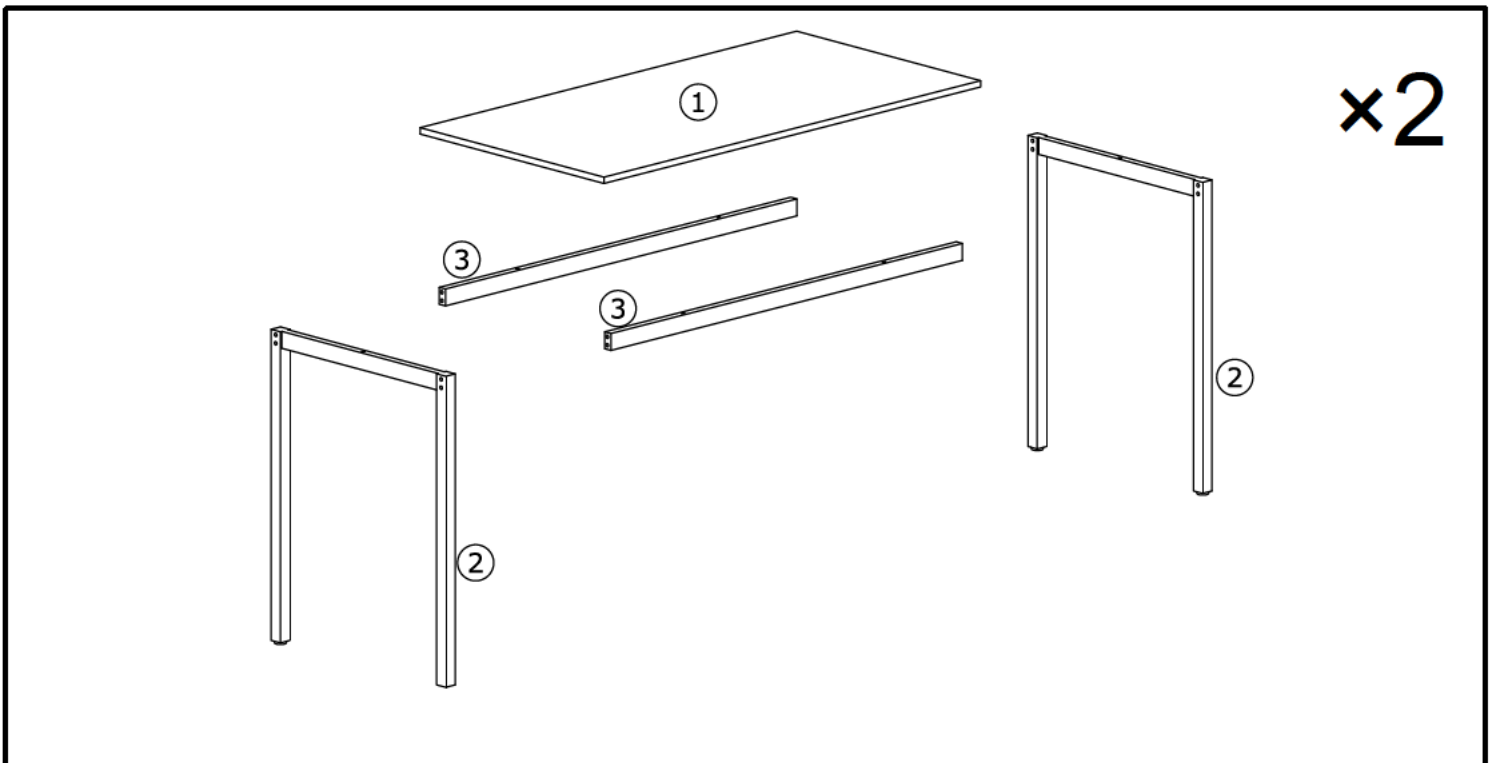







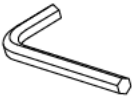

WORKING DESK
SIZE: 120*60*75CM
(2PCS)

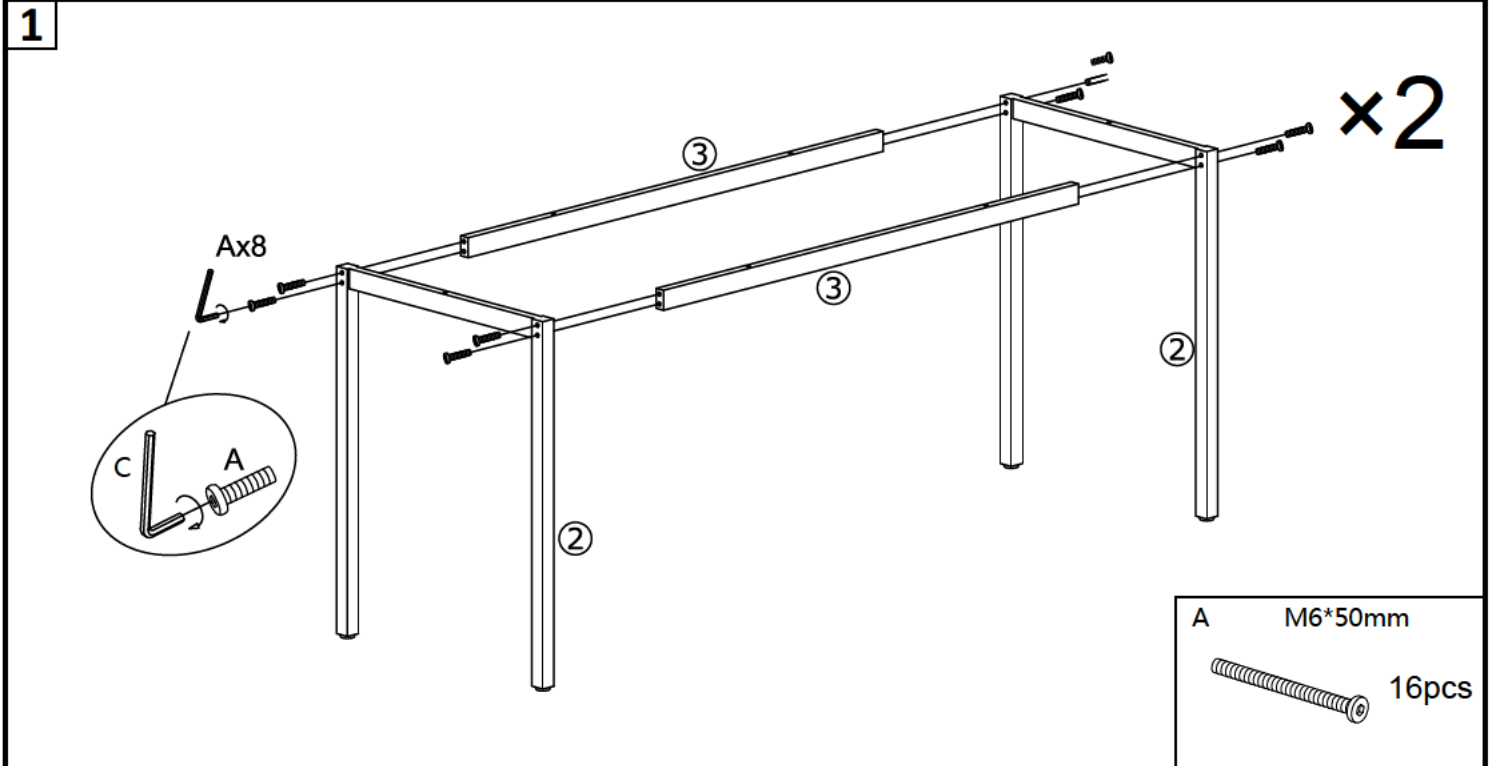


READ & SAVE BELOW INSTRUCTIONS BEFORE ASSEMBLY

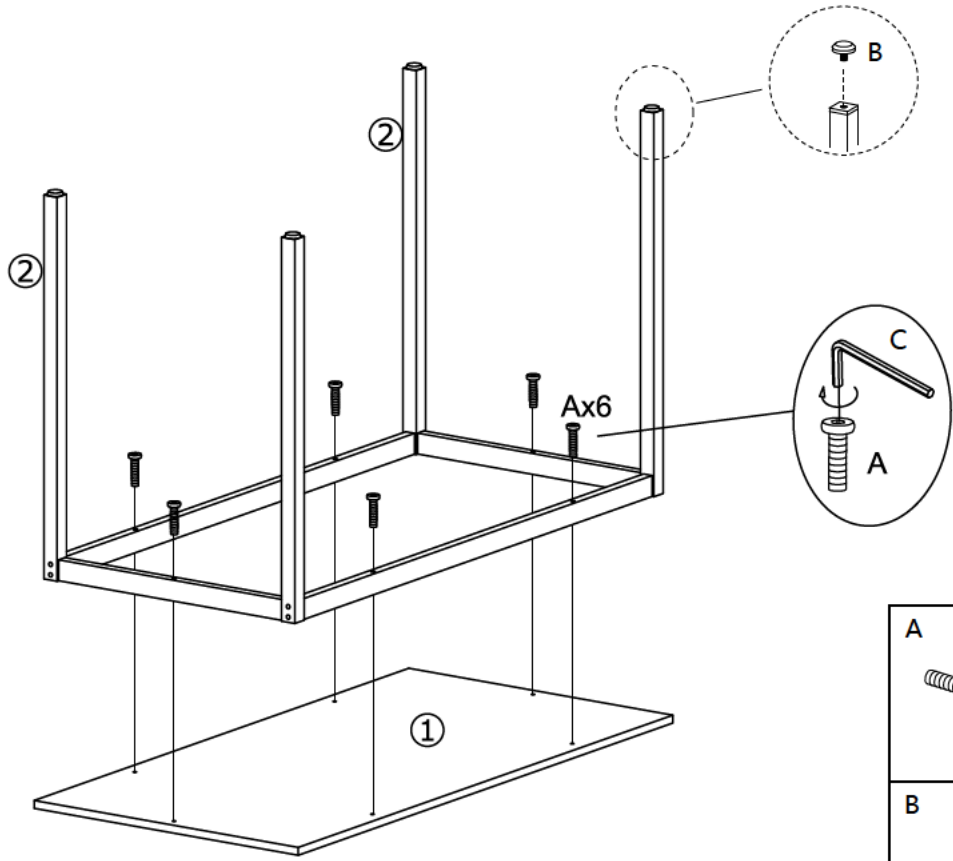
- 1.PLEASE SEPARATE AND IDENTIFY ALL PARTS,MAKING SURE THAT YOU HAVE ALL OF THE PARTS LISTED.
- 2.TO AVOID ANY SCRATCH DURING ASSEMBLY, PLEASE ASSEMBLE ON A SOFT MAT OR SIMILAR.
- 3.PLEASE ASSEMBLE STEP BY STEP AND FOLLOW THE INSTRUCTIONS.
- 4.WHILE EACH SCREW AND NUT IS PROPERLY FASTENED, DO NOT OVER FASTEN IT.
- 5.**DO NOT COMPLETELY FASTEN EACH SCREW AND NUT UNTIL ALL THE SCREWS ARE PROPERLY FIXED.**





<p>①x2</p> 	<p>②x4</p> 	<p>③x4</p> 	
<p>A M6*50mm</p>  <p>28pcs+2</p>	<p>B M8*15</p>  <p>8pcs+2</p>	<p>C</p>  <p>1pc</p>	<p>30*30</p>  <p>2pcs</p>



2



x2

- | | |
|--|---------|
| A | M6*50mm |
|  | 12pcs |
| B | |
|  | 8pcs |

3

Finish

x2

