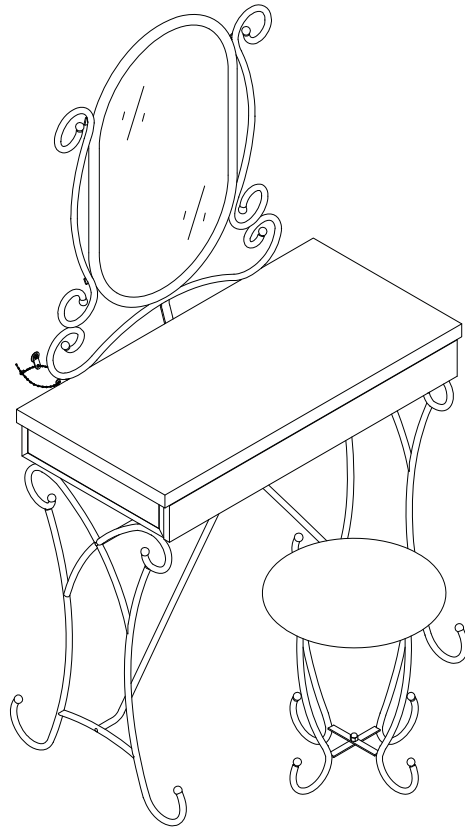


Assembly Instructions



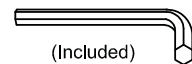
ASSEMBLY RATING

The Assembly Rating is a 5-point system that shows the degree of effort needed in assembling a specific product (with 1 being easy and 5 being difficult). For some products, two persons are recommended.

EASY  DIFFICULT

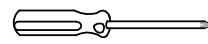
Tools Required For Assembly:

Allen Wrench

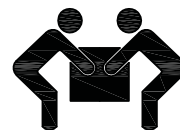


(Included)

Phillips Screwdriver



(Not Included)

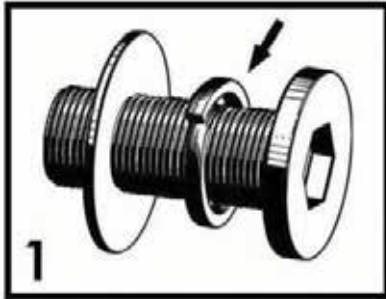


2 PERSONS RECOMMENDED

ASSEMBLY & CARE ADVICE

FOR YOUR FURNITURE TO LAST, CORRECT ASSEMBLY AND PROPER MAINTENANCE ARE NECESSARY. PLEASE FOLLOW THE INFORMATION PROVIDED BELOW TO FULLY ENJOY YOUR FURNITURE.

BASIC ASSEMBLY TECHNIQUES



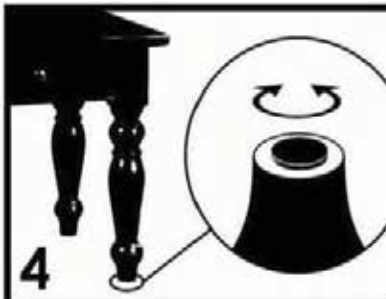
1 When lock or spring washer is used in an assembly, please make sure the lock or spring washer is placed between the larger flat washer and the head of the screw or bolt.



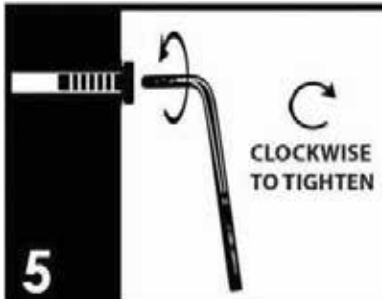
2 Position each part correctly and insert screws or bolts into their respective holes by hand tighten or using the proper hand tool. Only tighten when step is completed or when instructed to do so.



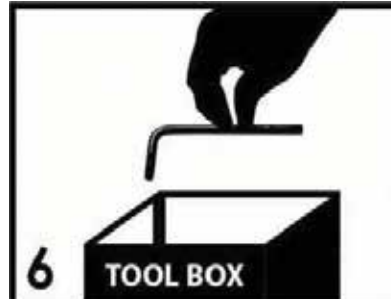
3 Use cardboard or carpet area when assembling furniture to prevent scratches. Make sure the furniture rests on a flat and level surface with each leg evenly touching the floor.



4 Some furniture comes with height adjustment knobs underneath each leg. To lower or to raise each leg, you need to turn clockwise or counterclockwise, respectively.

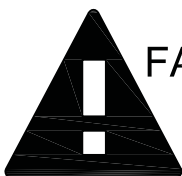


5 Make sure all parts are properly aligned, then use the appropriate hand tool to completely tighten the bolts or screws. Do not use power tools and do not overtighten.



6 Save the instructions and store the Allen wrench or any supplied tool for later maintenance. After two weeks, check and tighten any loose hardware and repeat again every six months thereafter.

IT IS THE USER'S RESPONSIBILITY TO MAINTAIN THE FURNITURE. THE HARDWARE MAY LOOSEN OVER TIME AND MAY CAUSE THE FURNITURE TO BE WOBBLY AND UNABLE TO SUPPORT ITS INTENDED WEIGHT CAPACITY. THIS MAY LEAD TO COLLAPSE AND MAY CAUSE SERIOUS INJURY.



FAILURE TO FOLLOW THE GUIDELINES ABOVE MAY RESULT IN INJURY AND/OR PROPERTY DAMAGE.



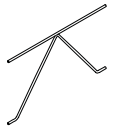
Before you begin, please read Page 2 of "Assembly and Care Advice".

And remember, do not tighten until each step is completed or instructed.

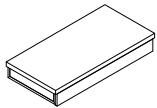
Parts List



#1 x 2pcs
Leg Stand



#2 x 1pc
Leg Support



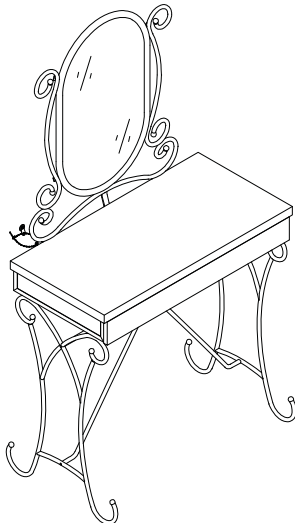
#3 x 1pc
Desk



#4 x 1pc
Mirror



#5 x 1pc
Mirror Support



Hardware List



#A x 6pcs
Bolt 1/4" X 5/8"



#B x 4pcs
Bolt 1/4" X 1"



#C x 1pc
Allen Wrench M4



#D x 1pc
Screw M4x37



#E x 2pcs
Keyhole Slot



#F x 1pc
Explosive nut



#G x 1pc
Tipping Restraint

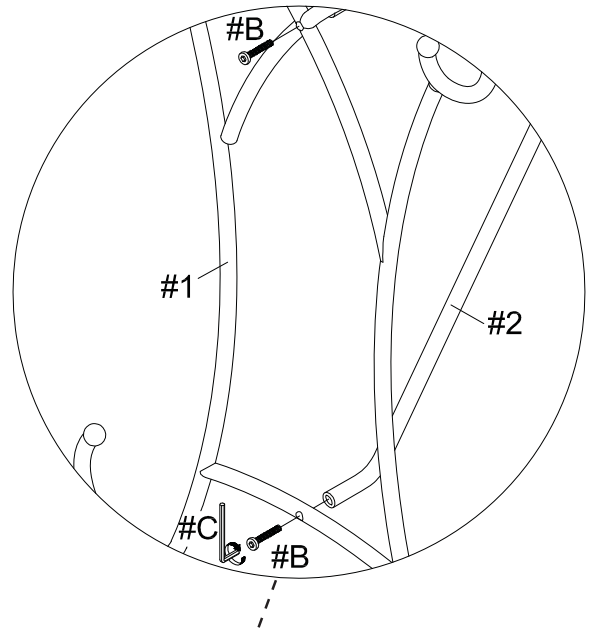
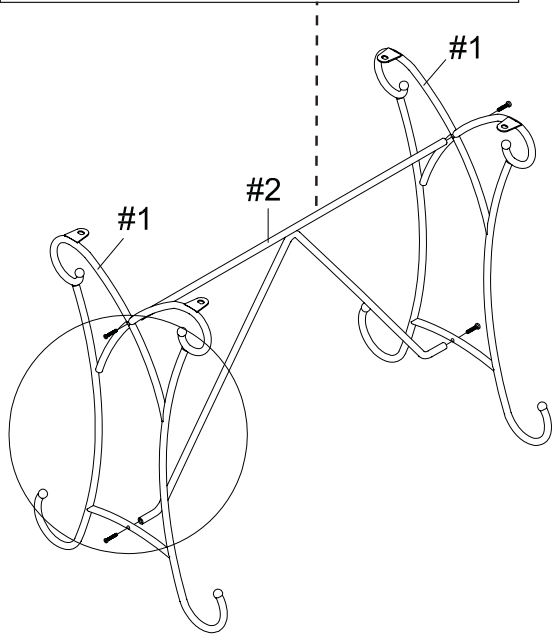


#H x 4pcs
Bolt 1/4" X 3/4"



#B x 4pcs

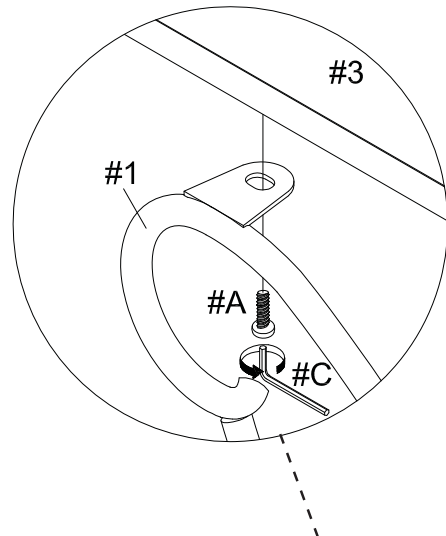
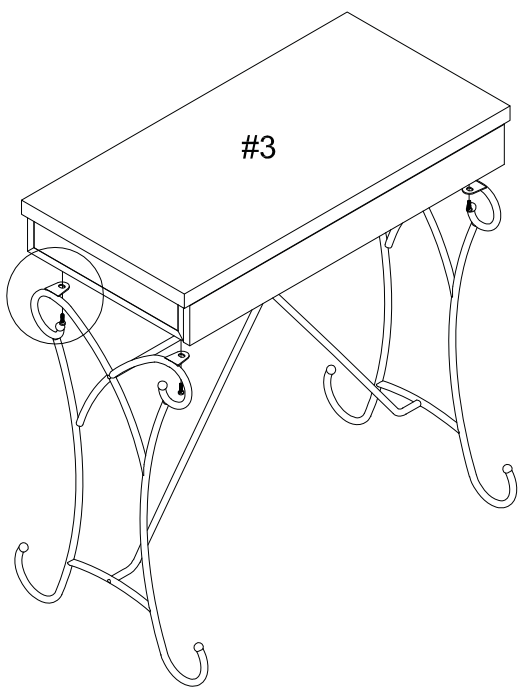
1. Align the ends of the leg support (#2) to the holes along the leg stands (#1).



2. Insert a bolt (#B) into each hole along the leg stands (#1), then secure using the Allen wrench (#C).



#A x 4pcs

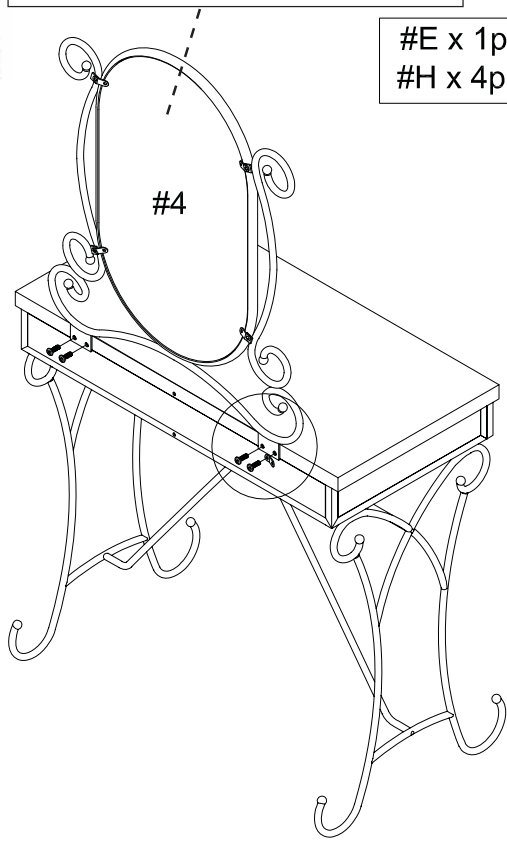


Place the desk (#3) onto the leg stands (#1), then insert a bolt (#A) into each hole from beneath and secure using the Allen wrench.

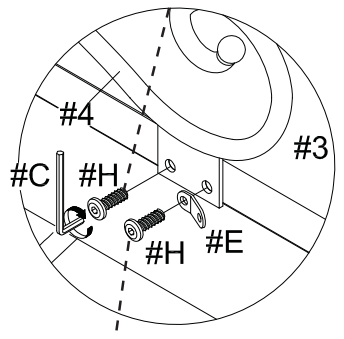


1. Align the mirror (#4) to the holes along the back of the desk (#3).

#E x 1pc
#H x 4pcs



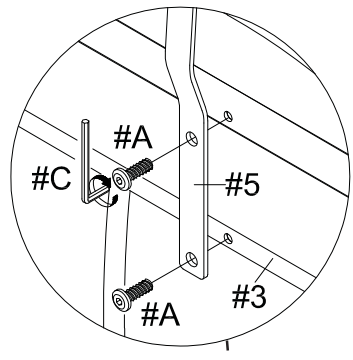
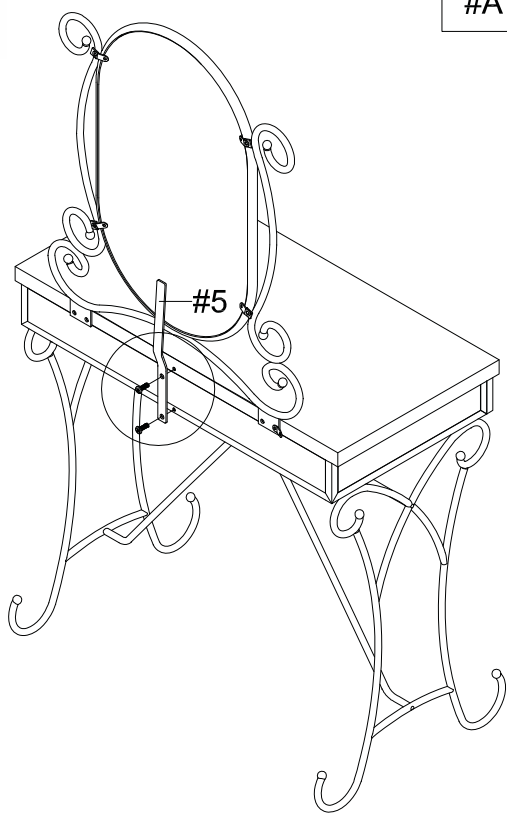
2. Insert a bolt (#H) into the 2 inner holes and one outer hole. Secure using the Allen wrench (#C).



3. Apply a keyhole slot (#E) onto a bolt (#H), then insert the bolt into the remaining outer hole. Secure using the Allen wrench.



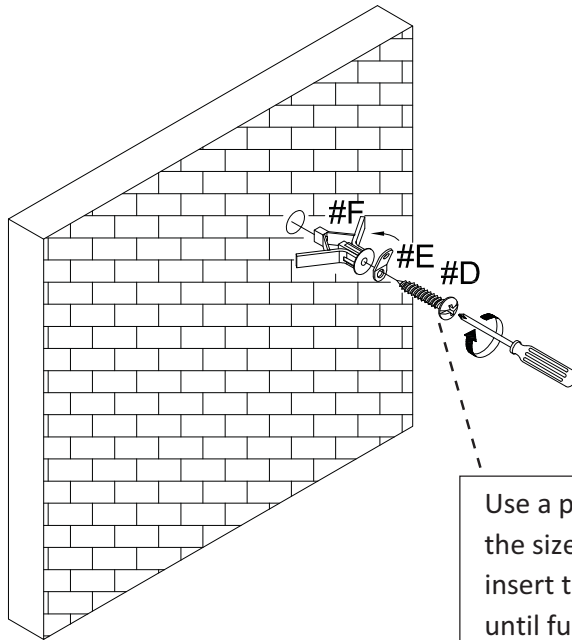
#A x 2pcs



Align the mirror support (#5) to the holes along the center back of the desk (#3), then insert 2 bolts (#A) and secure using the Allen wrench (#C).



#D x 1pc
#E x 1pc
#F x 1pc

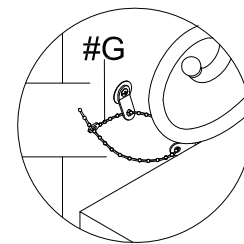
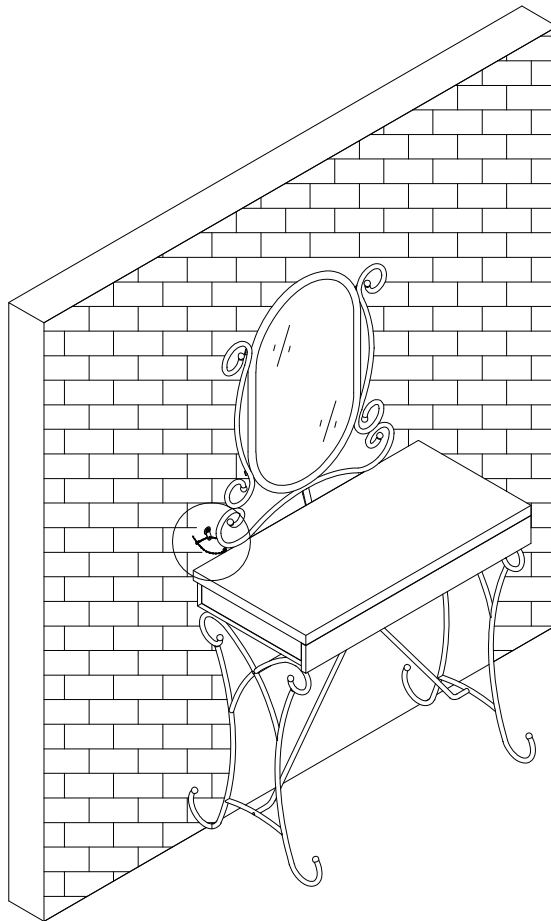


Use a power tool to drill a hole about the size of the explosive nut (#F) then insert the explosive nut (#F) and push until fully inserted. Align a keyhole slot (#E) to the nut, then insert the screw (#D) and secure using a screwdriver.



#G x 1pc

To Prevent Tip over
Product Must Be
Attached To Wall



Insert the tipping restraint (#G) into each keyhole and tighten accordingly.



Before you begin, please read Page 2 of "Assembly and Care Advice".

And remember, do not tighten until each step is completed or instructed.

Parts List



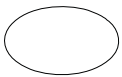
#1 x 1pc
Leg Stand A



#2 x 1pc
Leg Stand B



#3 x 1pc
Bracket



#4 x 1pc
Seat

Hardware List



#A x 4pcs
Bolt 1/4" X 1/2"



#B x 1pc
Bolt 5/16" X 1/2"



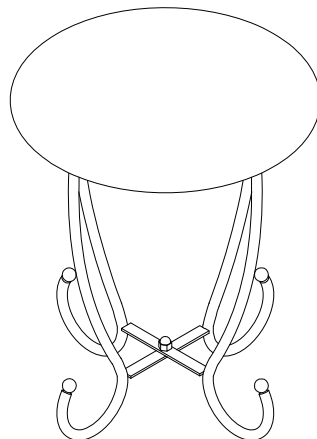
#C x 4pcs
Screw (M5x25)



#D x 1pc
Allen Wrench M4



#E x 1pc
Allen Wrench M5

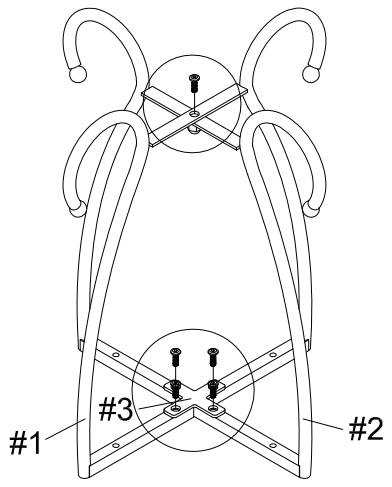
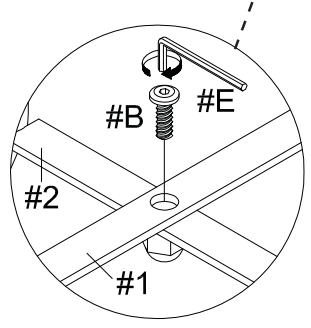




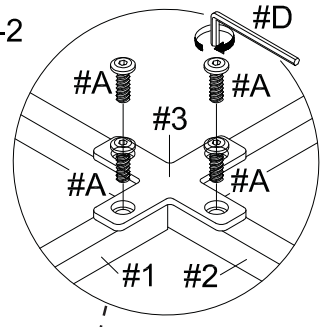
#A x 4pcs
#B x 1pc

1. Place the leg stands (#1,2) crossed over one another, then insert a bolt (#B) into the center hole. Secure using the Allen wrench (#E).

1-1



1-2

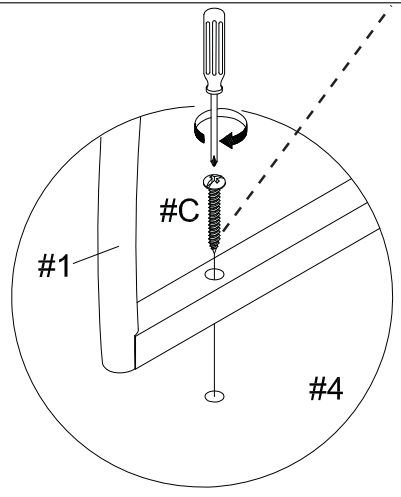
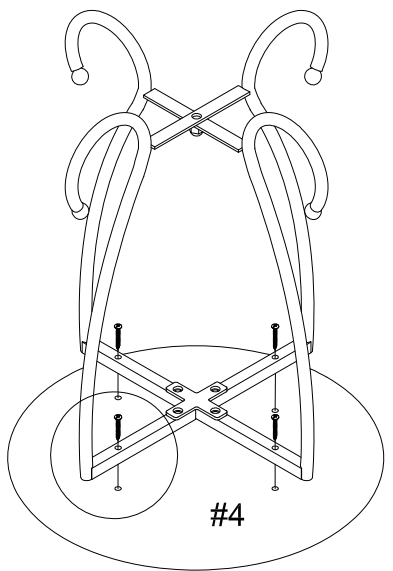


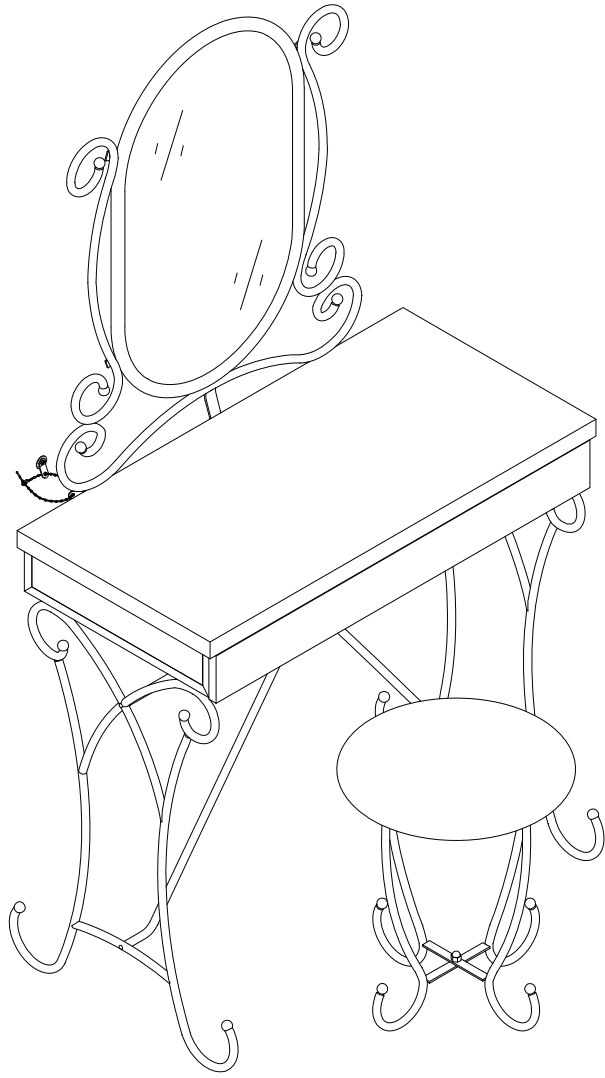
2. Insert 4 bolts (#A) into the the top holes and secure using the Allen wrench (#D).



#C x 4pcs

Place the seat (#4) face down onto a protected surface, then place the leg stands face down onto the seat and align the holes. Insert the screws (#C) into the holes. Secure using a Phillips screwdriver.





ASSEMBLY IS COMPLETED