

2800 Series

2800 - 960 6/6 PANEL HEADBOARD (HB ONLY)

2800 - 962 6/6 PANEL FOOTBOARD

2800 - 880 5/0 6/6 RAILS



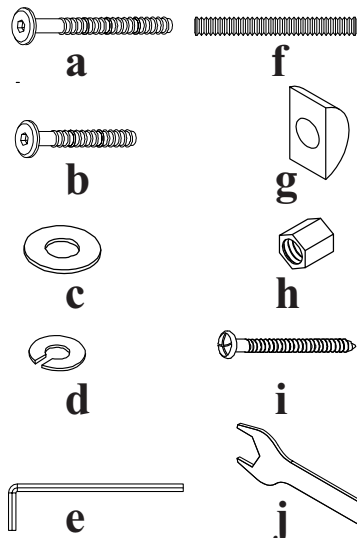
1060 E. Springfield Rd.
High Point, NC 27263
(336)861-0003

Assembly Instruction

A. Components :

- | | Qty |
|------------------------------|---------|
| 1. Panel Headboard (HB Only) | : 1 Pc |
| 2. Panel Footboard | : 1 Pc |
| 3. HB Legs | : 2 Pcs |
| 4. Stretcher | : 1 Pc |
| 5. Bed Rails | : 2 Pcs |
| 6. Slat | : 4 Pcs |
| 7. Slat Support | : 4 Pcs |

Qty

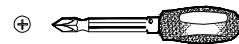


B. Hardware :

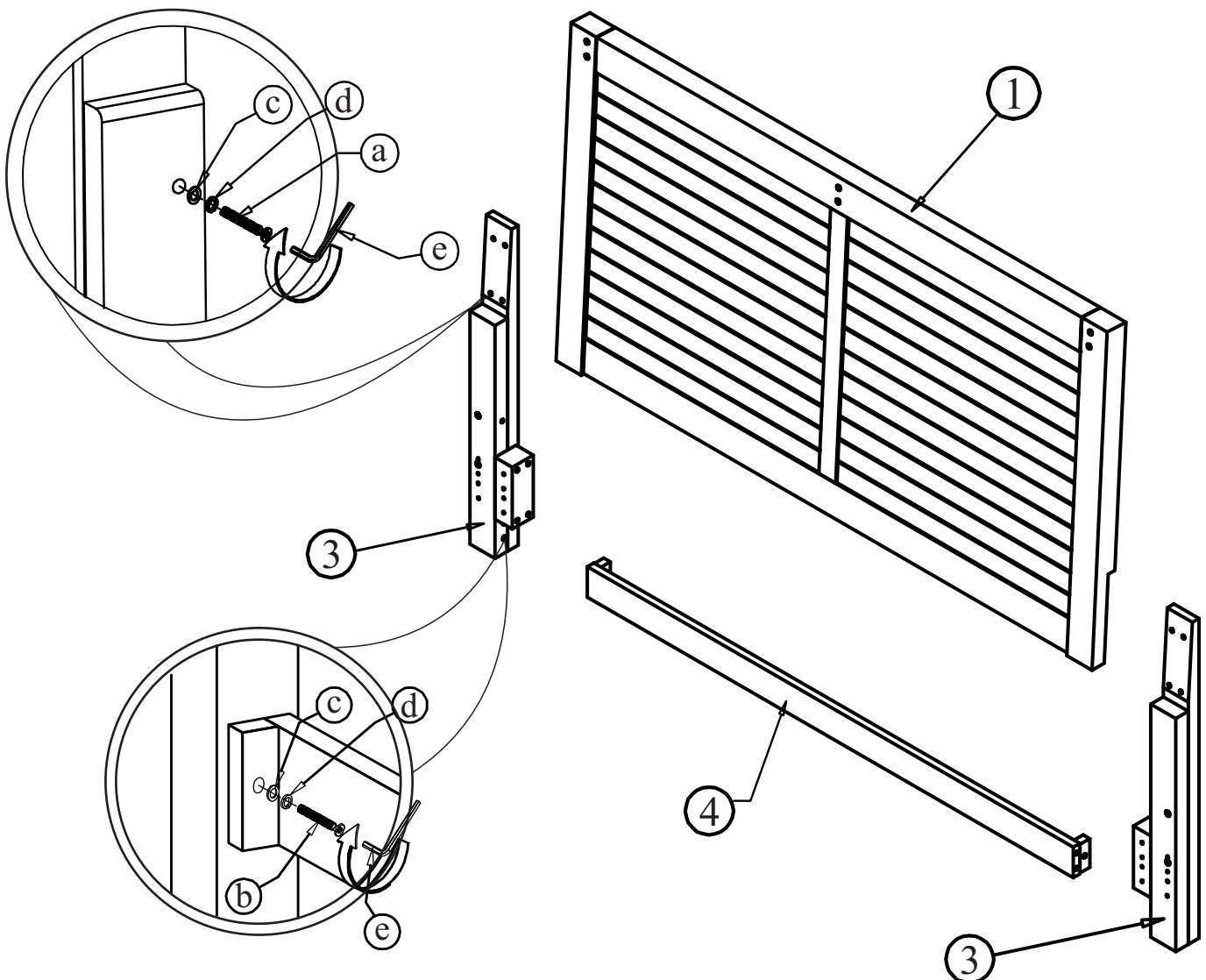
- | | Qty |
|--------------------|----------|
| a. Bolt M6 x 50mm | : 8 Pcs |
| b. Bolt M6 x 40mm | : 2 Pcs |
| c. Flat Washer | : 10 Pcs |
| d. Lock Washer | : 10 Pcs |
| e. Allen Key | : 1 Pc |
| f. Bolt M8 x 100 | : 8 Pcs |
| g. Halfmoon Washer | : 8 Pcs |
| h. Hexa Nut | : 8 Pcs |
| i. Screw | : 8 Pcs |
| j. Hexa Wrench | : 1 Pc |

C. Tool Required

1. Screw Driver = (not included)



STEP - 1



2800 Series

2800 - 960 6/6 PANEL HEADBOARD (HB ONLY)

2800 - 962 6/6 PANEL FOOTBOARD

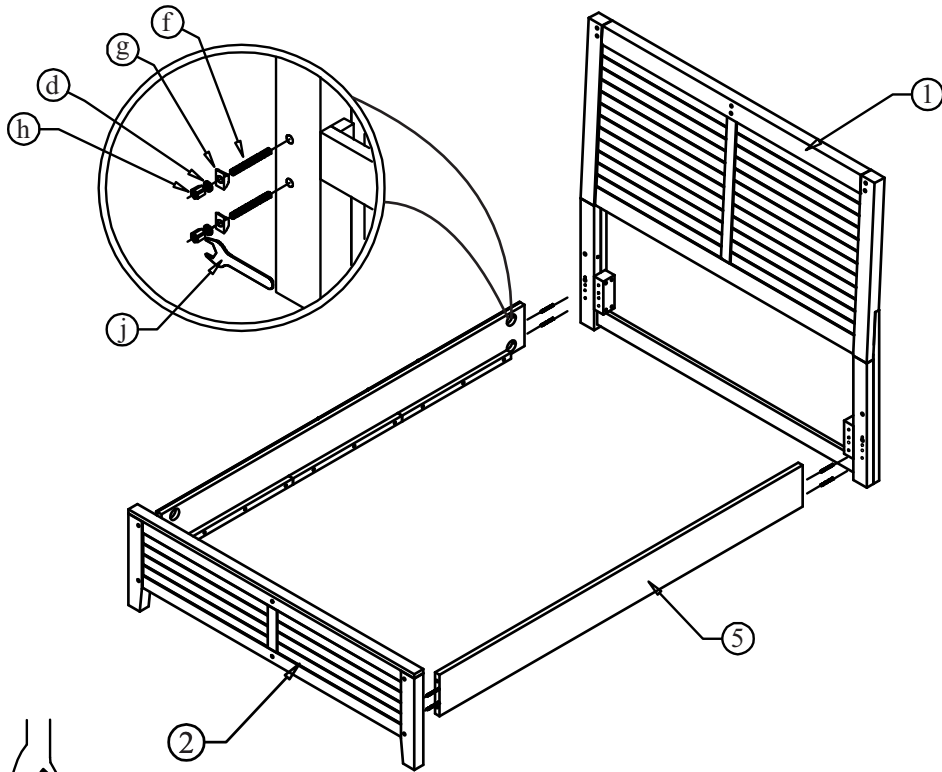
2800 - 880 5/0 6/6 RAILS



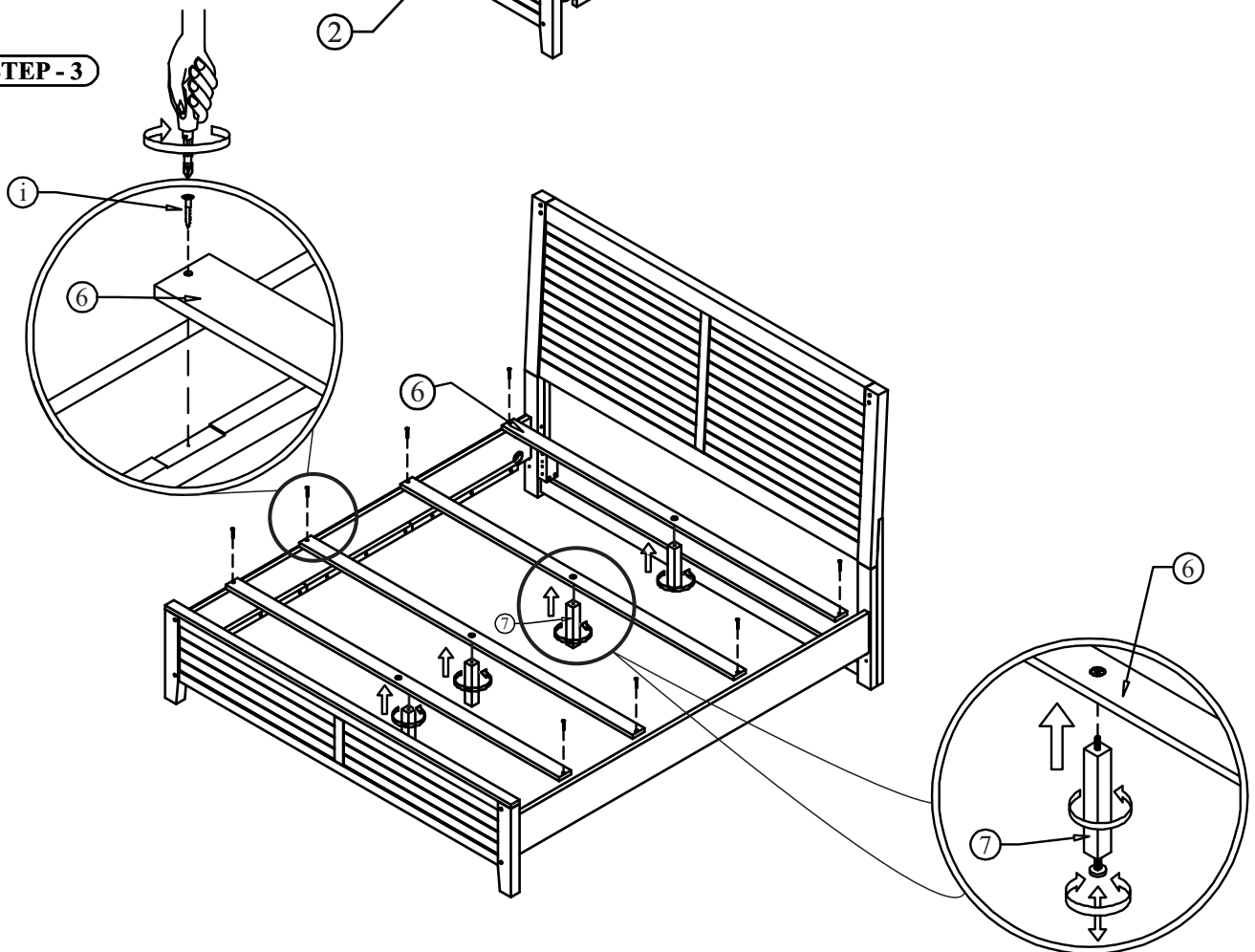
1060 E. Springfield Rd.
High Point, NC 27263
(336)861-0003

Assembly Instruction

STEP - 2



STEP - 3



2800 Series

2800 - 960 6/6 PANEL HEADBOARD (HB ONLY)

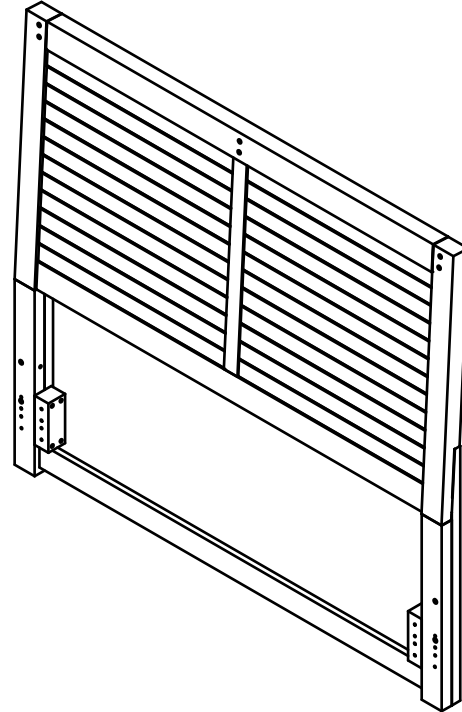
2800 - 962 6/6 PANEL FOOTBOARD

2800 - 880 5/0 6/6 RAILS



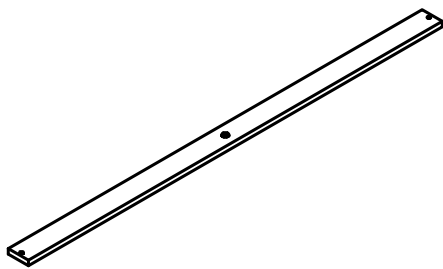
1060 E. Springfield Rd.
High Point, NC 27263
(336)861-0003

CARTON 1



6/6 Panel Headboard (HB Only).....1 Pc

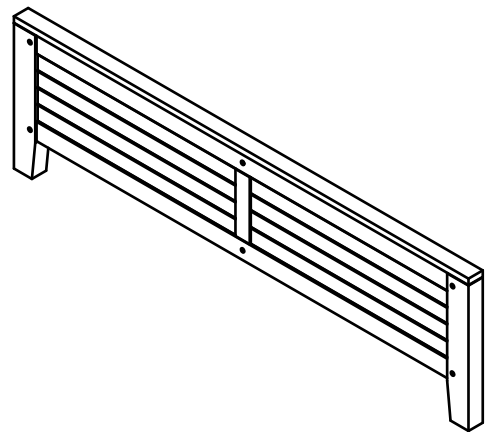
CARTON 2



Slat.....4 Pcs

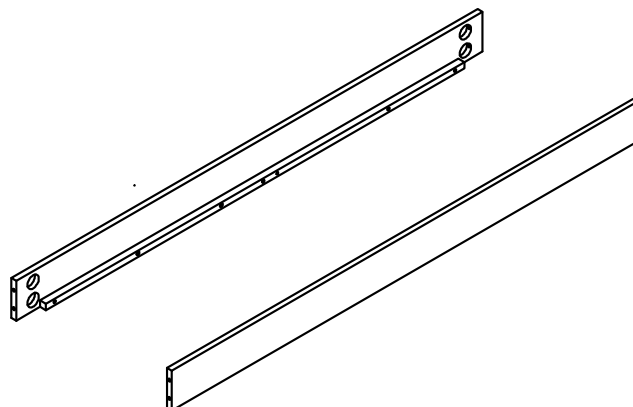


Slat Support.....4 Pcs



6/6 Panel Footboard.....1 Pc

CARTON 3



5/0 6/6 Rails.....2 Pcs