

LS175M3-HW



Safety And Care Advice

Important – Please read these instructions fully before starting assembly.

Please check if all the components and tools listed on pages 3 - 4 are received.

Please remove all fittings from the plastic bags and separate them into homologous groups.

Please keep children and animals away from the working areas; swallow small parts may cause suffocation.

Please make sure you have enough space to lay out the parts before starting.

Do not stand on the product, which could cause damage.

Please assemble the product as close to its final position as possible.

Do not place furniture directly in front of radiators, fires, or any other source of heat.

The assembly will be easier with 2 people.

Please dispose of all packaging carefully and responsibly.

General care and maintenance.

Please clean with a damp cloth or mild detergent, do not use bleach or abrasive cleaners.

Do not allow the spill to stay on the surface for a long time.

Do not clean with products containing the following: acetone (e.g., nail varnish remover), ammonia (e.g. bleach), or sodium hydroxide (e.g., caustic soda, drain, and oven cleaners).

If the product is accidentally exposed to the irritating liquid, rinse thoroughly with clean water.

Mats can be used to protect surfaces from moisture and heat.

Please check whether there are missing screws in the product regularly.

The product should not be discarded with household waste, and please take it to your local authority waste disposal center.

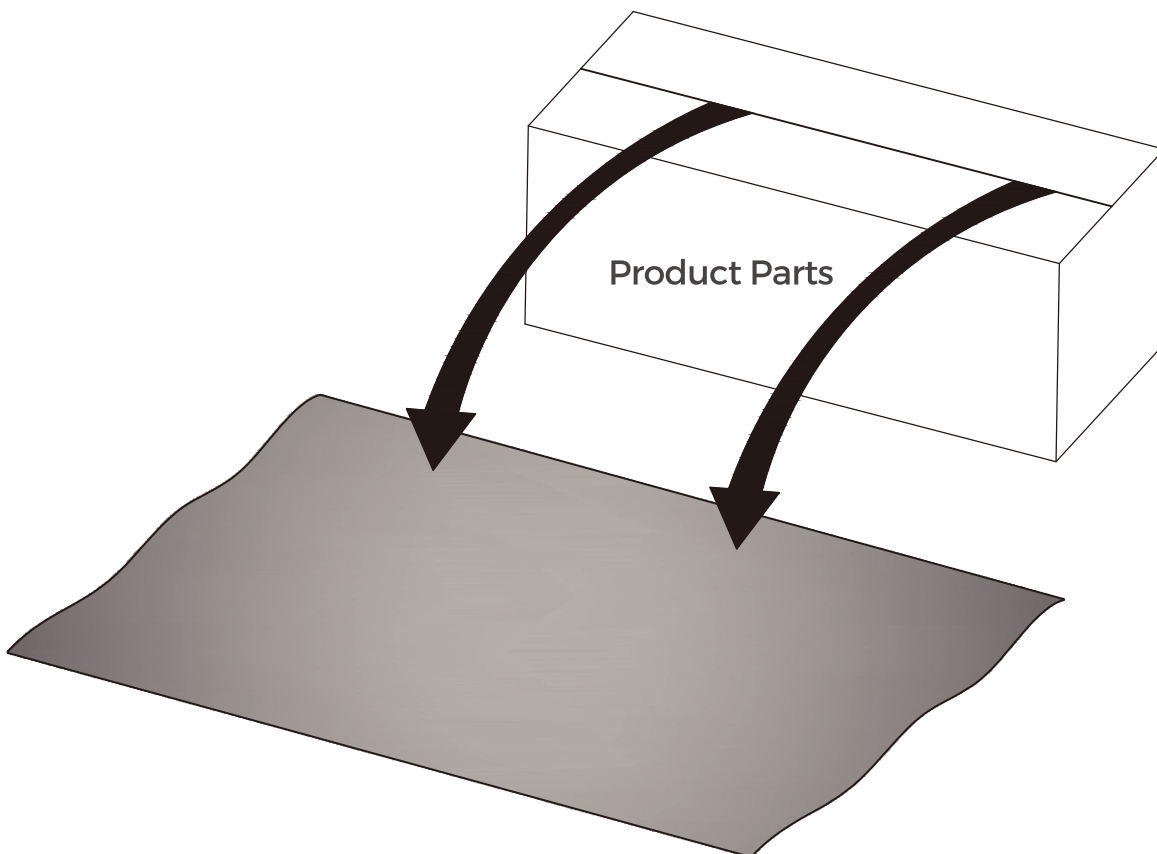


Safety And Care Advice

Important - Please read these instructions fully before starting assembly.



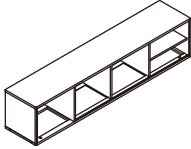
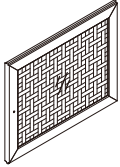
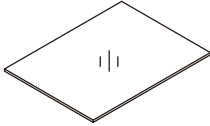


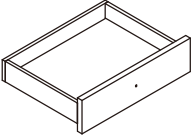
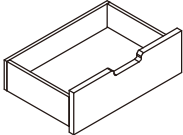
We strongly recommend two people to install it







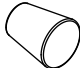
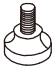



Lay a piece of clean paper or carpet on the floor, then put the product parts on it to prevent scratching.

Components

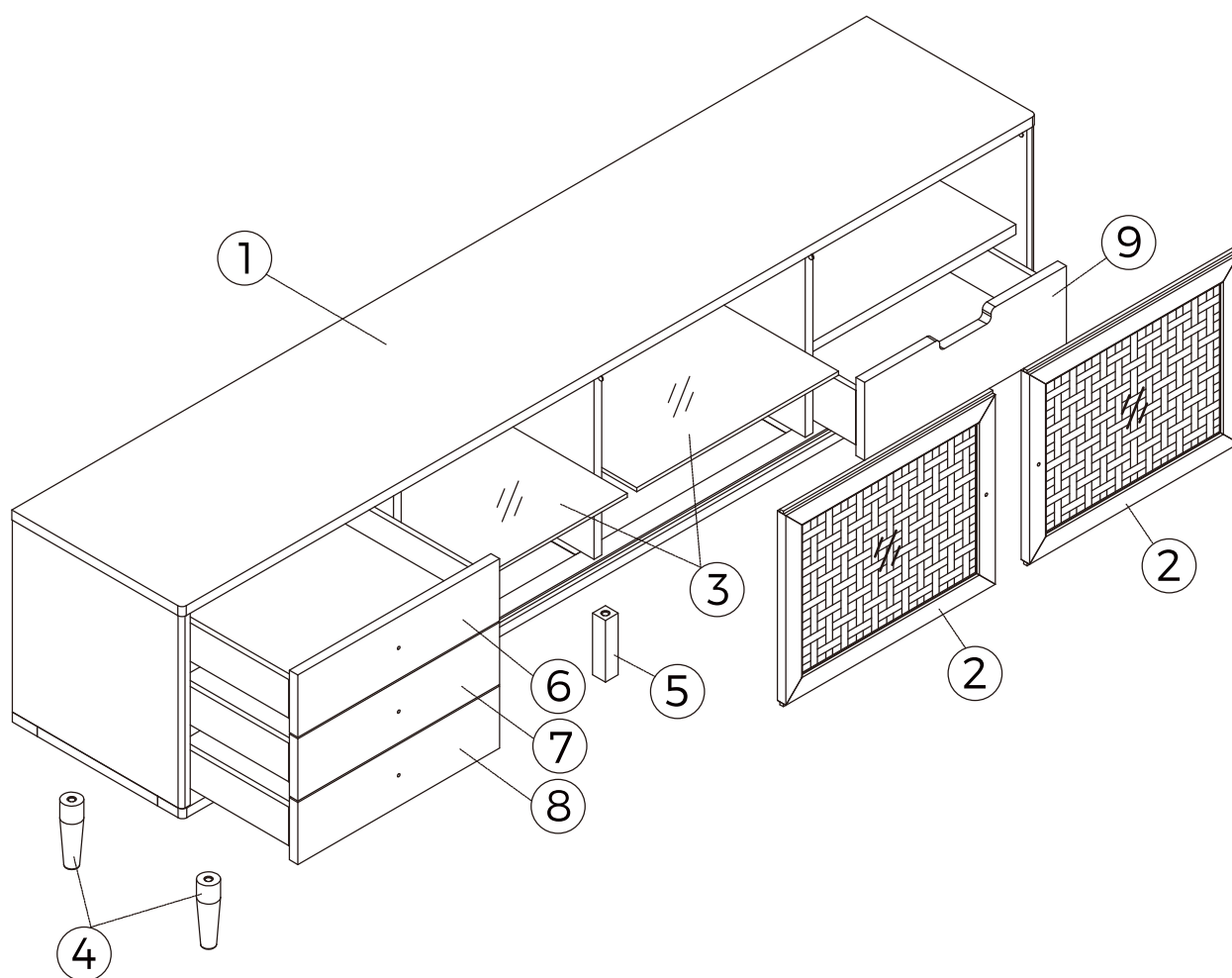
Important - Please read these instructions fully before starting assembly.

<p>① *1pc</p> 	<p>② *2pcs</p> 	<p>③ *2pcs</p> 	<p>④ *4pcs</p> 
<p>⑤ *1pc</p> 	<p>⑥ & ⑦ & ⑧</p>  <p>*3pcs</p>	<p>⑨ *1pc</p> 	

<p>Ⓐ *4pcs</p>  <p>9 mm transparent anti-slip PVC rubber plug</p>	<p>Ⓑ *1pc</p>  <p>Wrench-inner hexagon spanner</p>	<p>Ⓒ *4pcs</p>  <p>(M8*35) Inlevel inner hexagon screw</p>	<p>Ⓓ *3pcs</p>  <p>(M4*40) Handle screw</p>
<p>Ⓔ *2pcs</p>  <p>(M4*25) Handle screw</p>	<p>Ⓕ *1pc</p>  <p>Full-tooth screw</p>	<p>Ⓖ *5pcs</p>  <p>Handle</p>	<p>Ⓖ *1pc</p>  <p>Adjusting foot</p>
<p>Ⓖ *8pcs</p>  <p>Plate support</p>			

The Product Expand Image

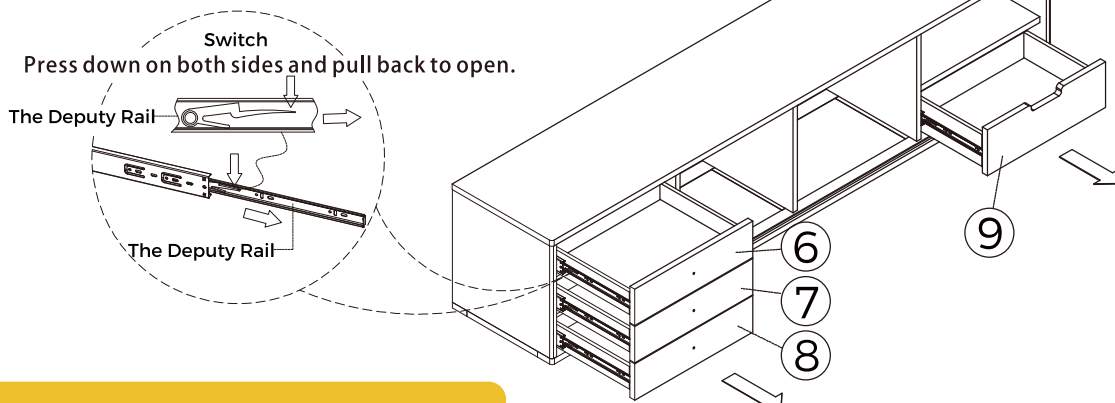
Important - Please read these instructions fully before starting assembly.



Assembly Instructions

Please check if all the pieces listed below are received.

Step 1



Remove the left drawer 6,7,8 and the right drawer 9

Step 2



(A) x 4 pcs



(B) x 1 pc



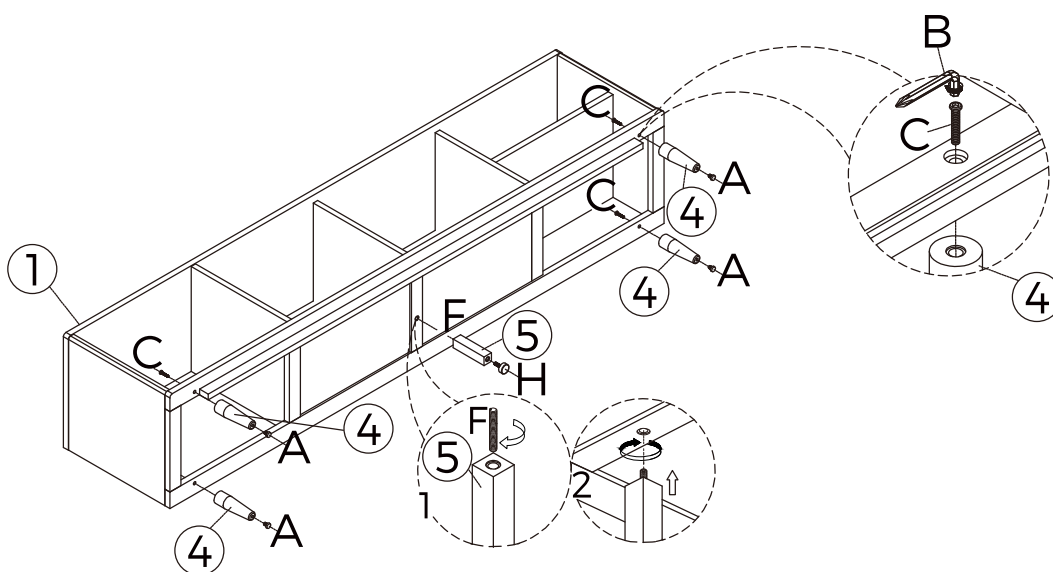
(C) x 4 pcs



(F) x 1 pc



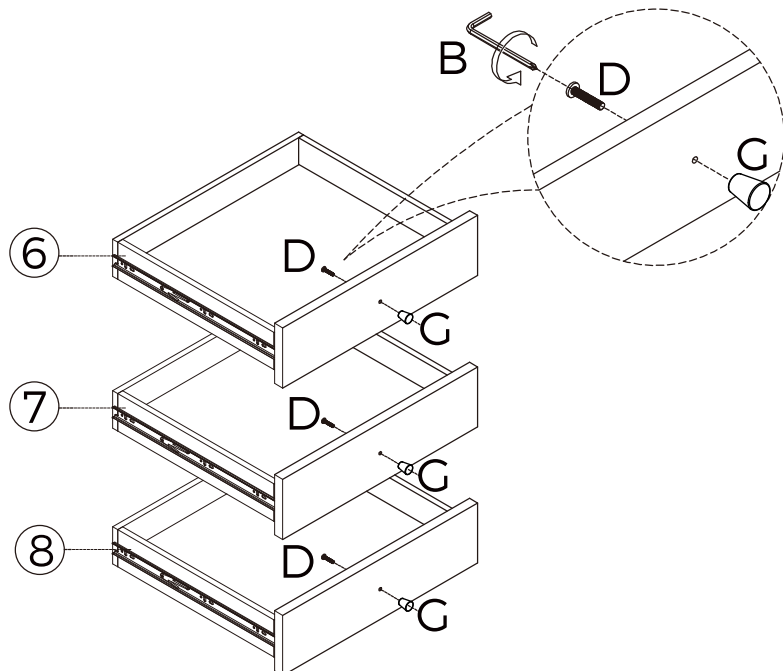
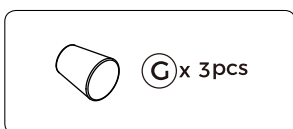
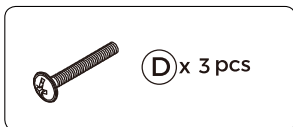
(H) x 1 pc



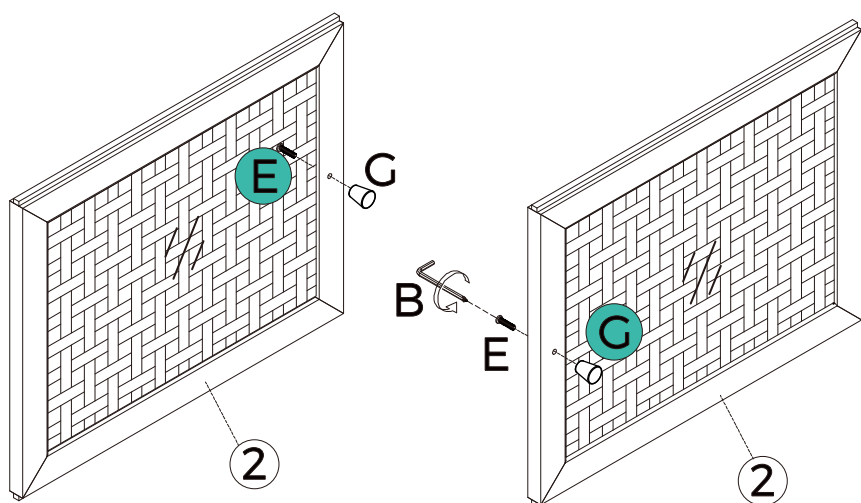
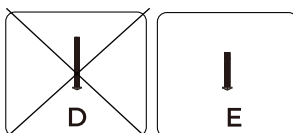
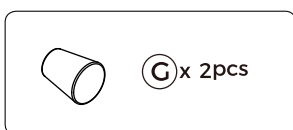
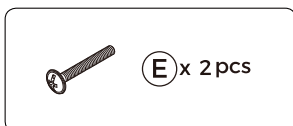
Assembly Instructions

Please check if all the pieces listed below are received.

Step 3



Step 4

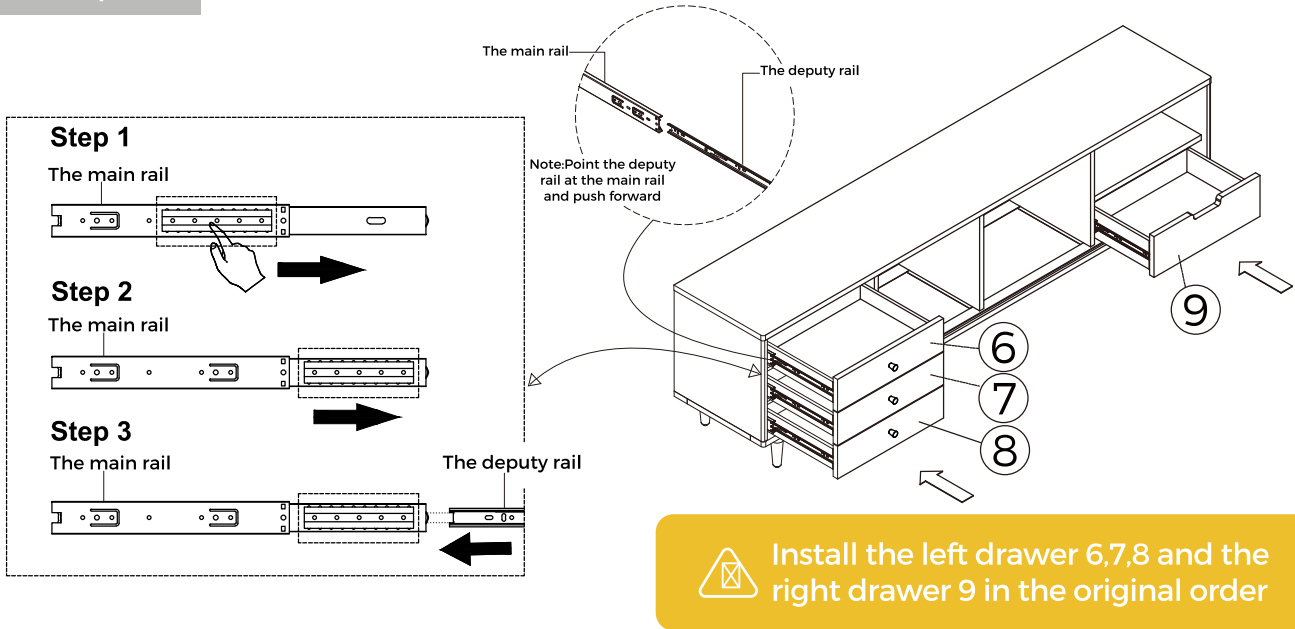


The surface with glass is on the same surface as the accessory G

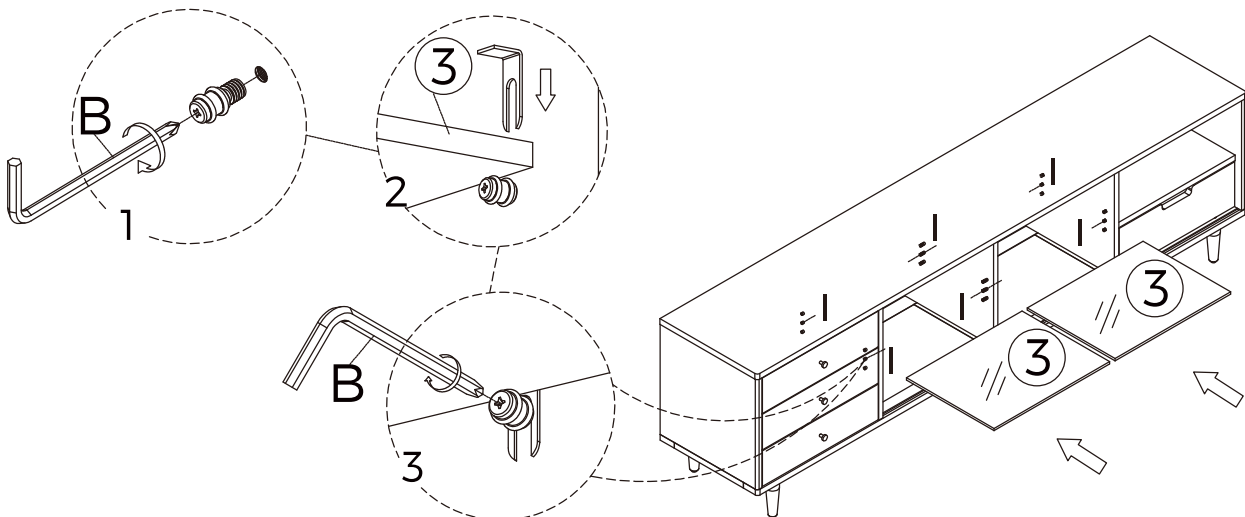
Assembly Instructions

Please check if all the pieces listed below are received.

Step 5



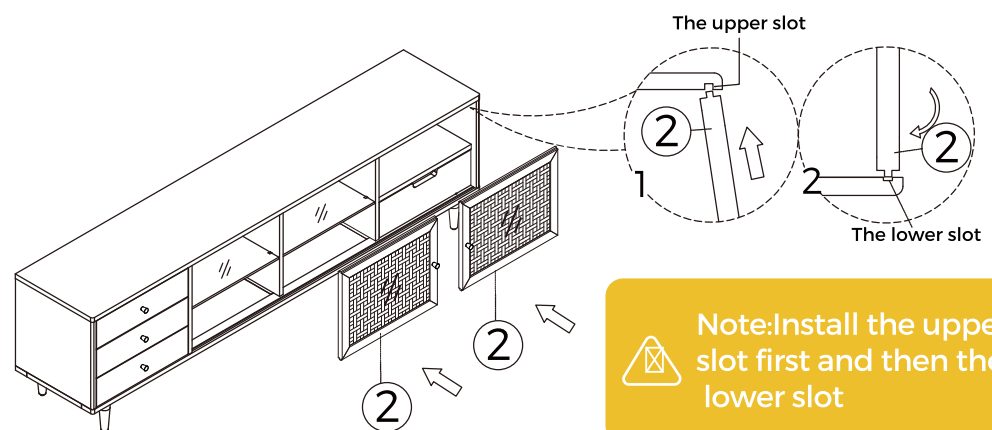
Step 6



Assembly Instructions

Please check if all the pieces listed below are received.

Step 7



Step 8

