

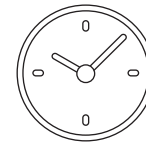
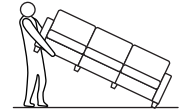
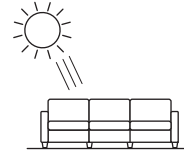
## NOTICE :

Please retain these instructions for future reference.

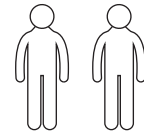
- Please read the instruction sheets completely before assembly. Remove all parts from carton and ensure all components included prior to assembly.
- Assemble the sofa on a protected surface to avoid scratching the components of sofa.
- Be careful not to cross-thread screws.
- Do not use power tools.
- Two people are recommended for assembly!
- According to the fabric characteristics of ottoman, please avoid direct-sun exposure.
- If the sofa is smelling, please try to air it for 24-48hours and the smell will go away.
- Sometimes it's because it was packed for a long time,so It's very normal to get that smell.
- Belfin Sofa is certified by the environment system. So please don't worry, it won't hurt your health, it's safe to use it.

## RETURN/DAMAGE CLAIM INSTRUCTIONS:

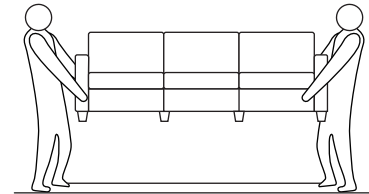
- DO NOT discard of the box/original packaging. In case a return is required, the item must be returned in original box. Without this your return will not be accepted.
- Take a photo of the box markings. A photo of the markings (text)on the side of the box or instruction is required in case a part is needed for replacement. This helps our staff identify your product number to ensure you receive the correct parts.
- Take a photo of damage (if applicable). A photo of the damage is always required to file a claim and get your replacement or refund processed quickly. Please make sure you have the box even if it is damaged.
- Send us an email with the images requested. Email us directly from marketplace where your item was purchased with the attached images and a description of your claim.



Approximately  
30 MIN. Assembly

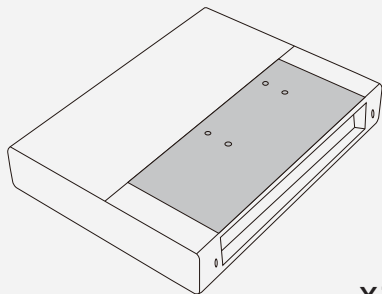


1-2 People  
Assembly



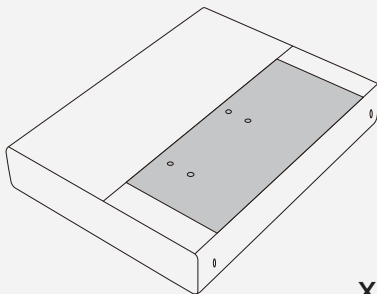
# CARTON A PART LIST

**A** Right Armrest



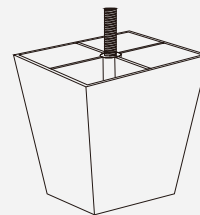
x1

**B** Left Armrest



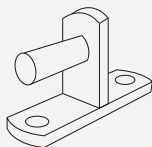
x1

**C** Plastic Leg



x4

**1** Armrest & Backrest Fitting



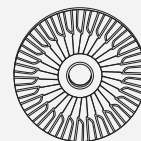
x4

**2** Screw



x8

**3** Plastic Washer



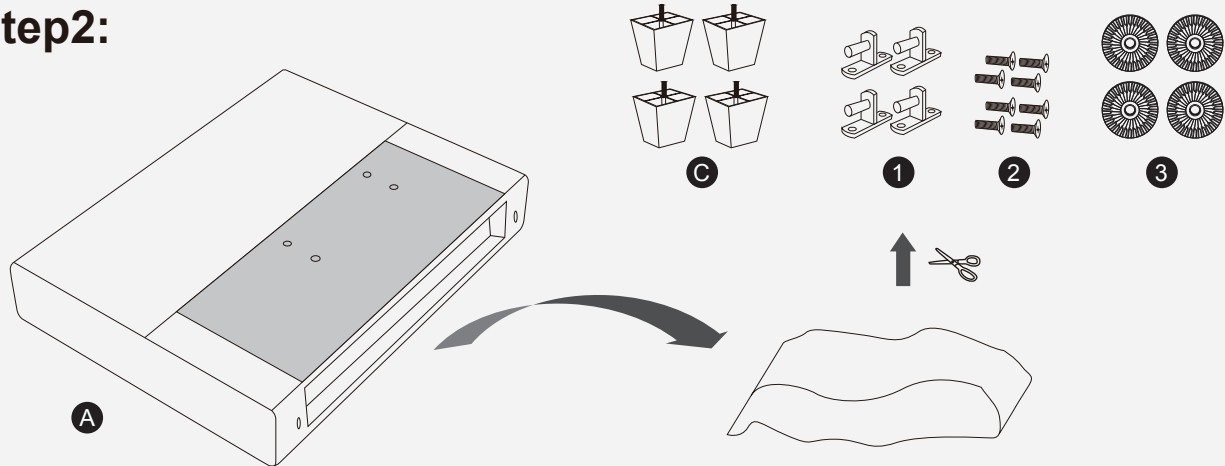
x4

# CARTON A ASSEMBLY

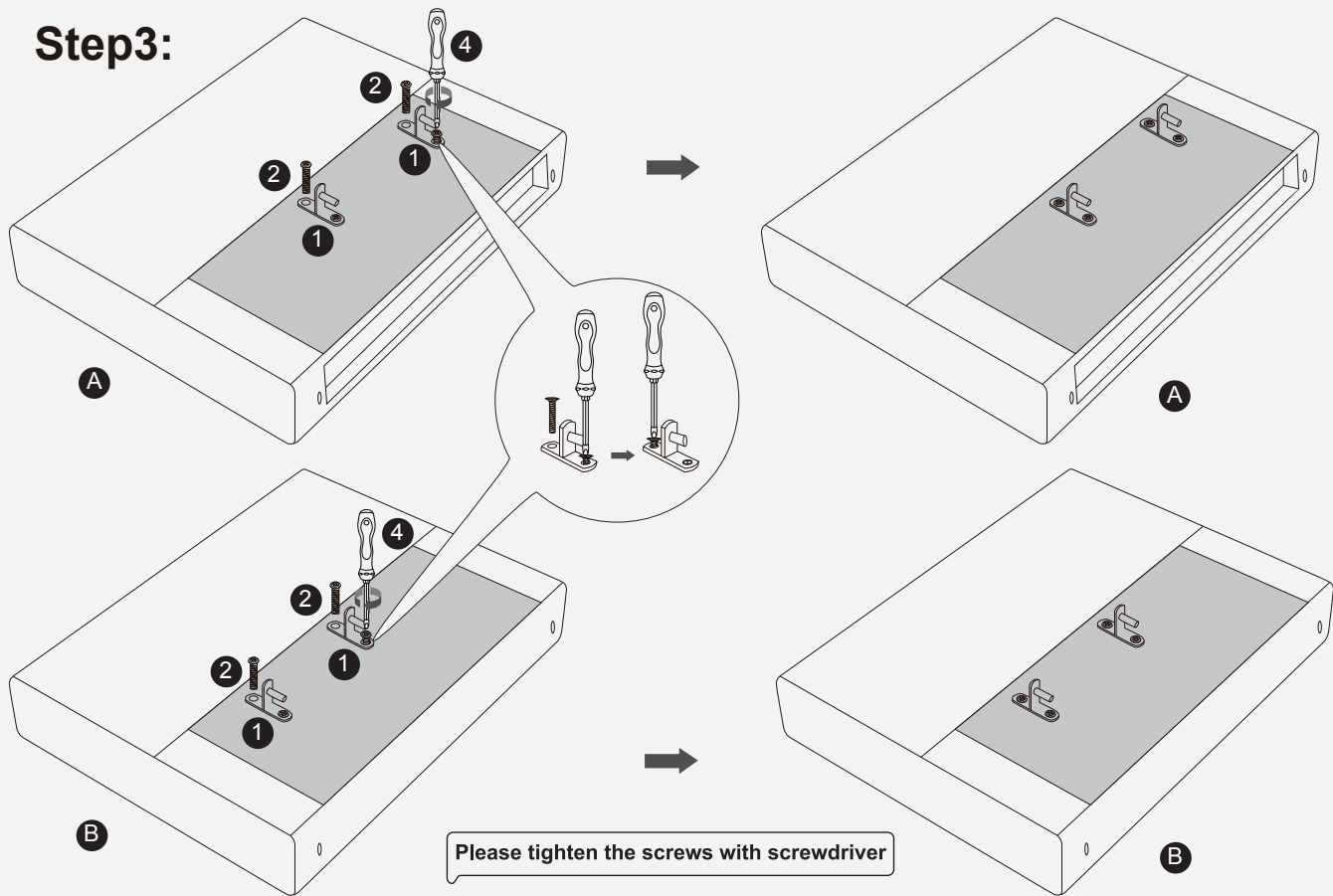
## Step1:

Armrests are in carton A, Remove all parts from the carton A ,  
Place them on protected surface or carpet.

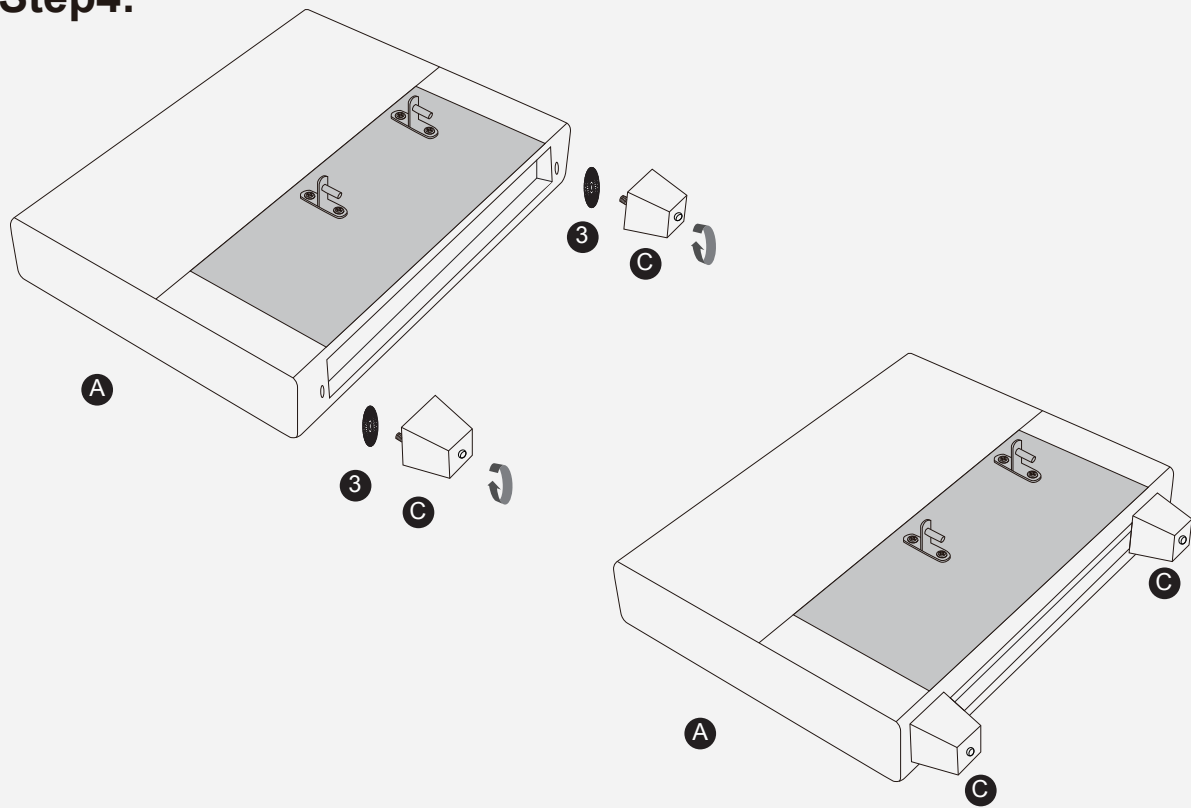
## Step2:



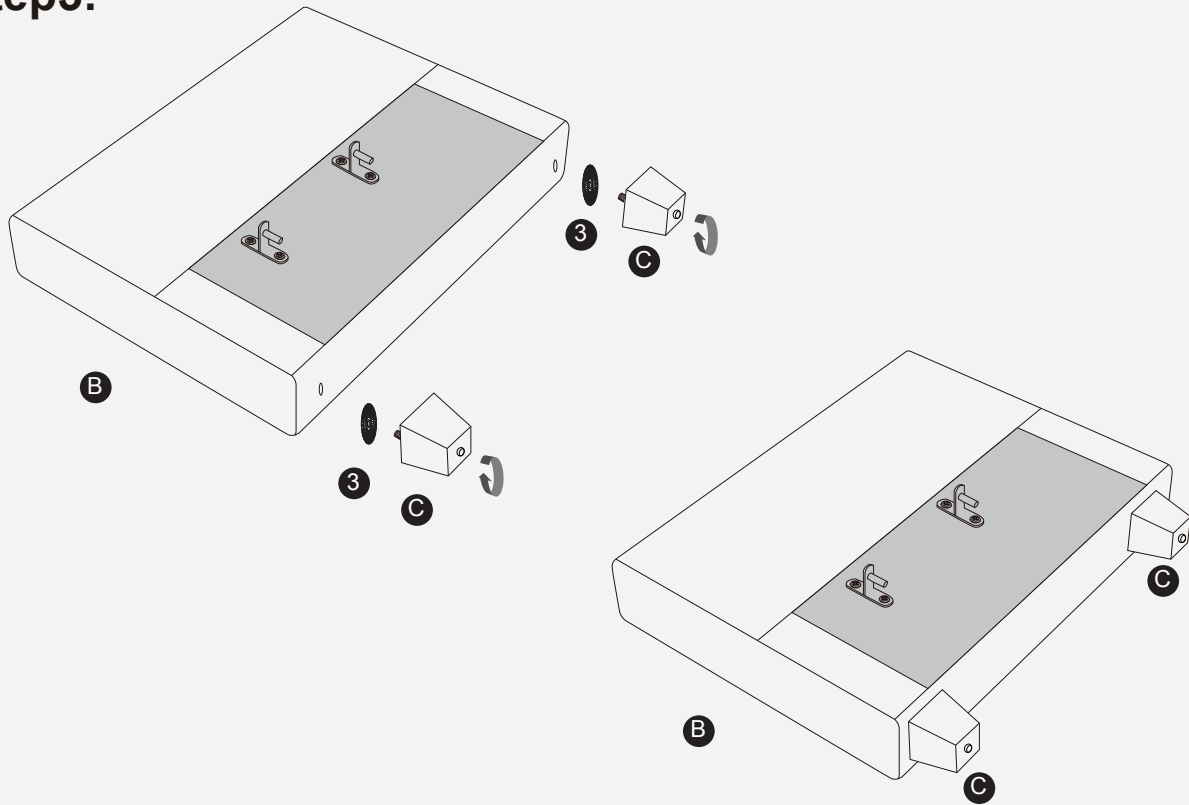
### Step3:



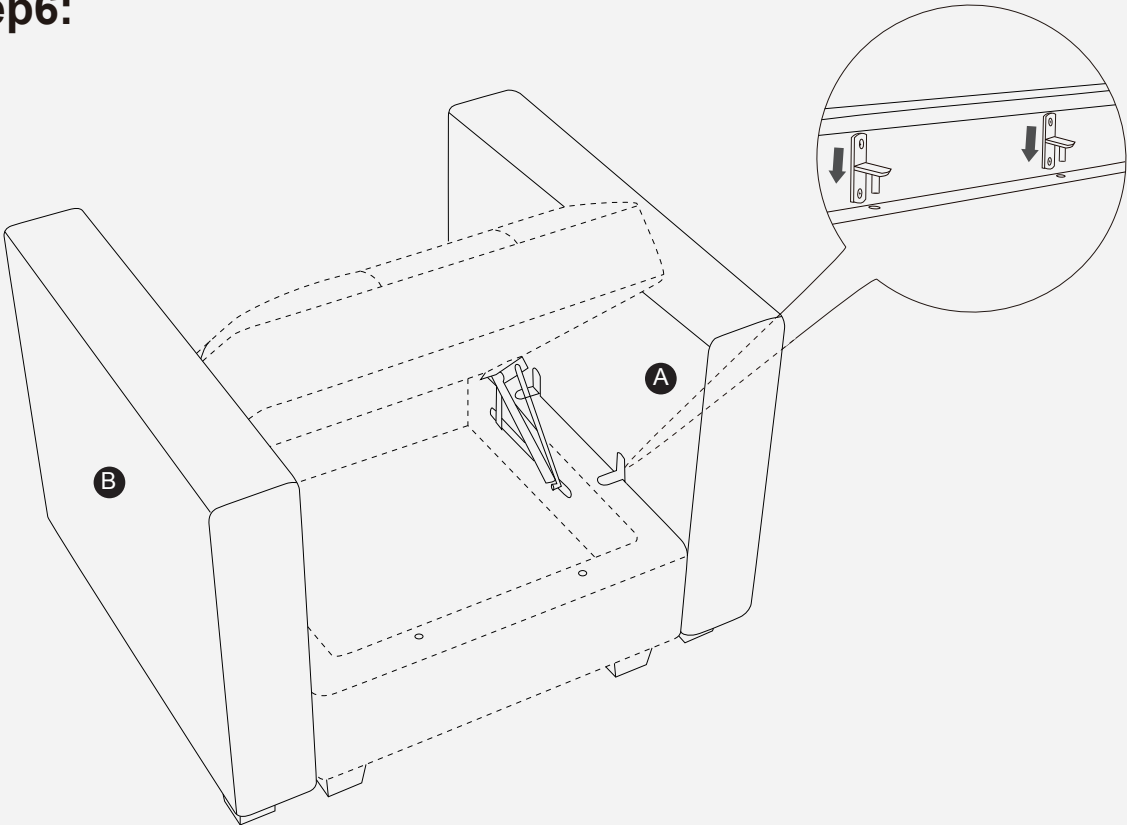
# Step4:



# Step5:

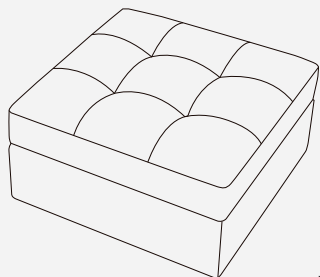


# Step6:



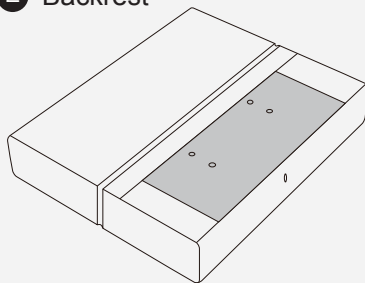
# CARTON B PART LIST

**D** Single Seat Frame



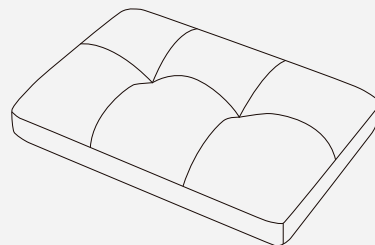
x1

**E** Backrest



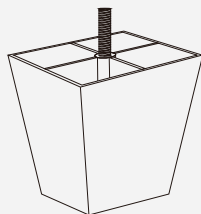
x1

**F** Pillow



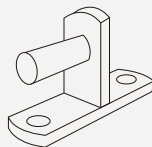
x1

**C** Plastic Leg



x5

**1** Armrest & Backrest Fitting



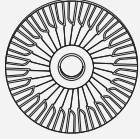
x2

**2** Screw



x4

3 Plastic Washer



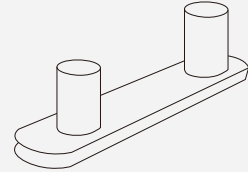
x5

4 Screwdriver



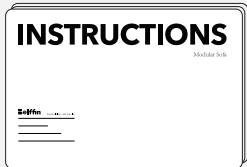
x1

5 Single Seat Fitting



x2

6 Assembly Instructions



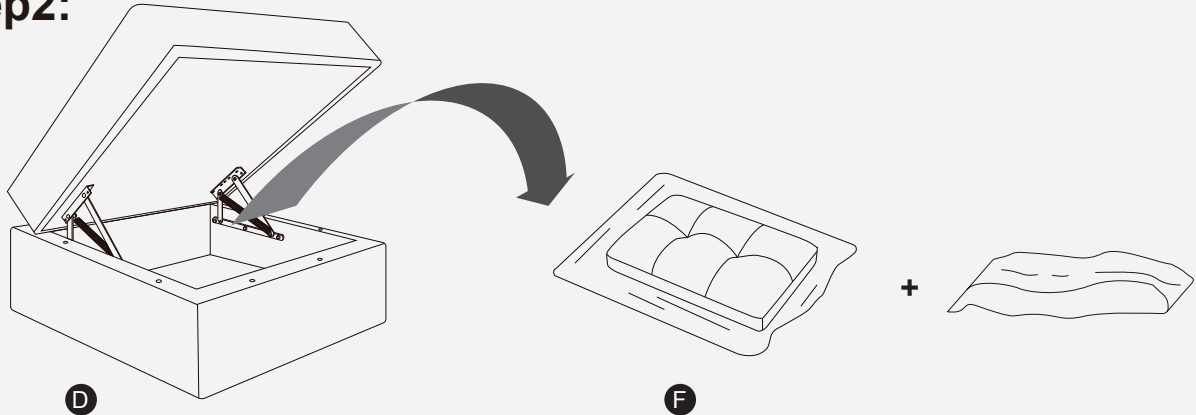
x1

# CARTON B ASSEMBLY

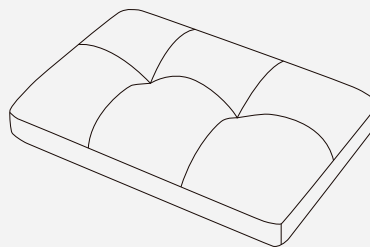
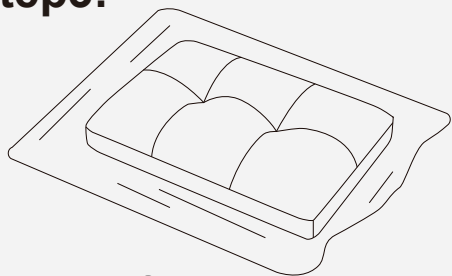
## Step1:

Seat frame and backrest are in carton B ,Remove all parts from the carton B,Place them on protected surface or carpet.

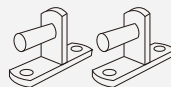
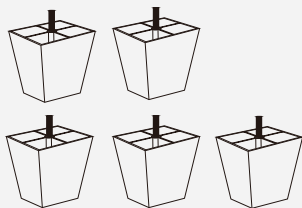
## Step2:



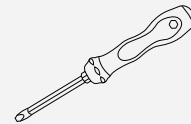
### Step3:



### Step4:

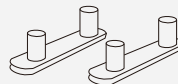


2



1

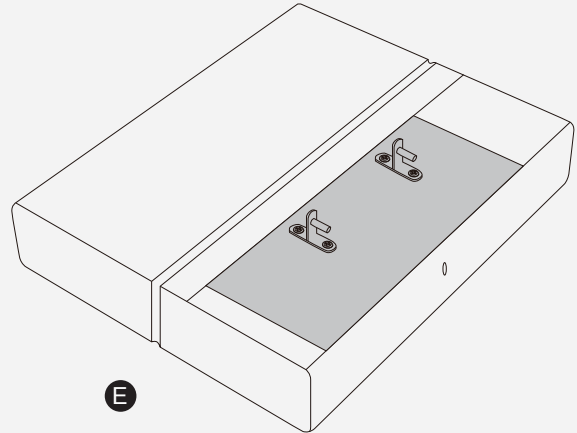
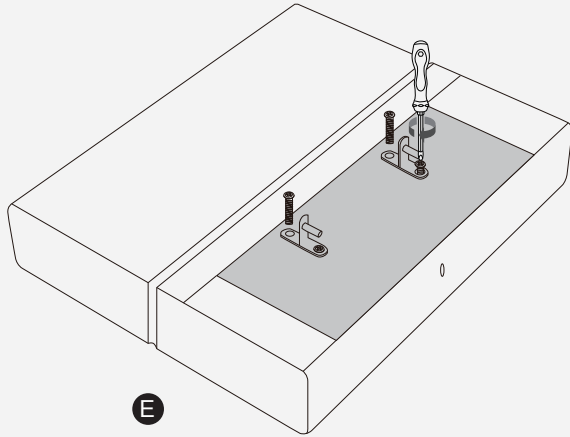
4



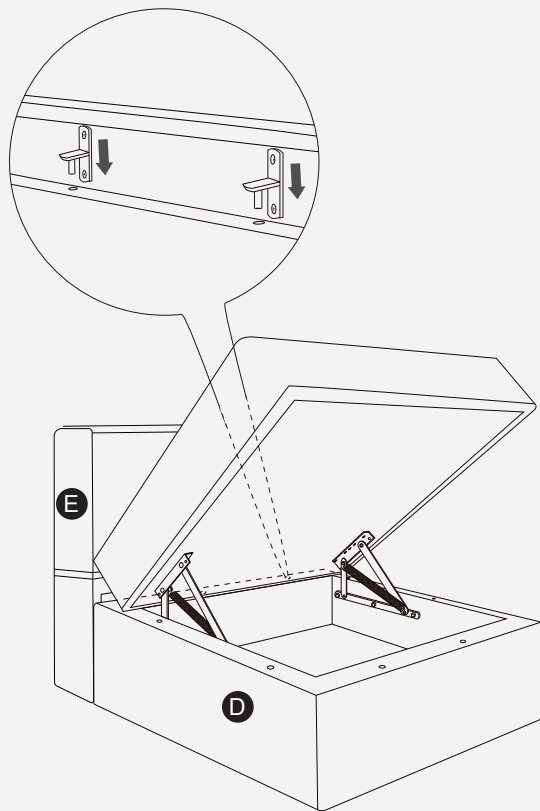
5

## Step5:

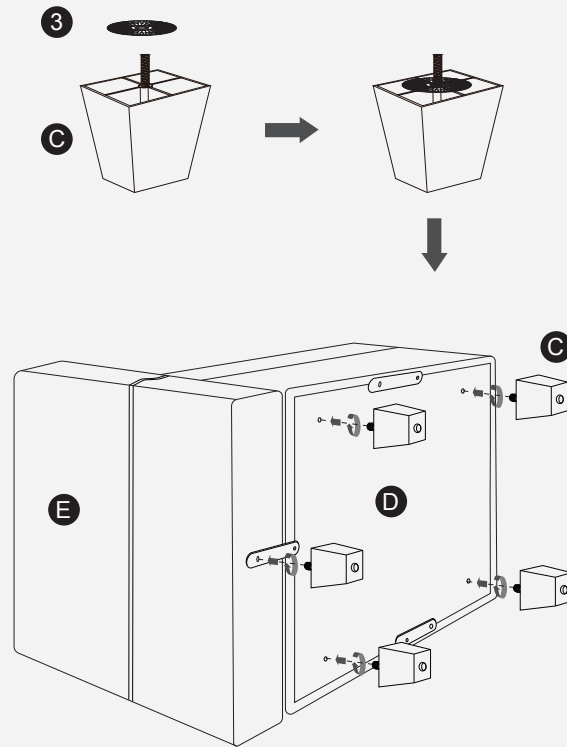
Please tighten the screws with screwdriver



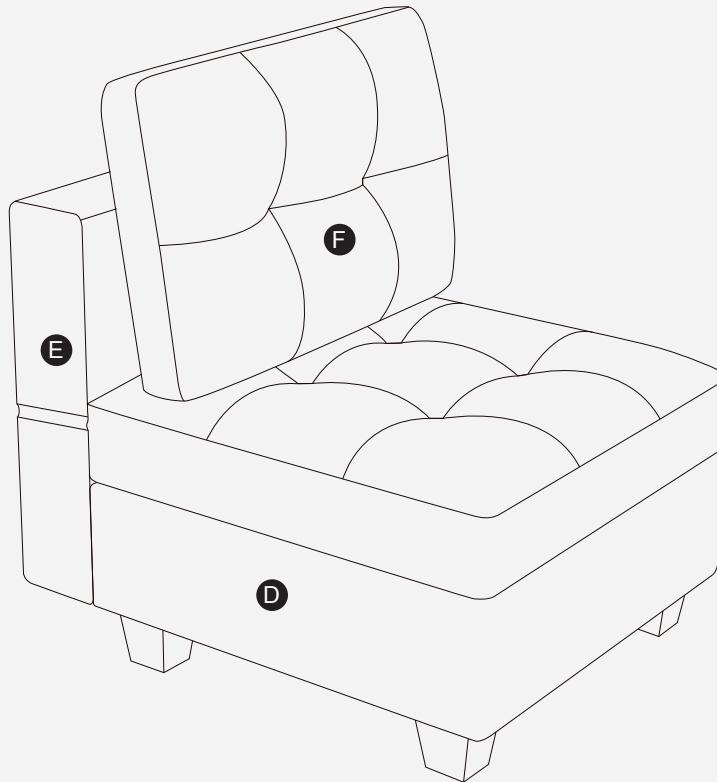
## Step6:



## Step7:



## Step8:



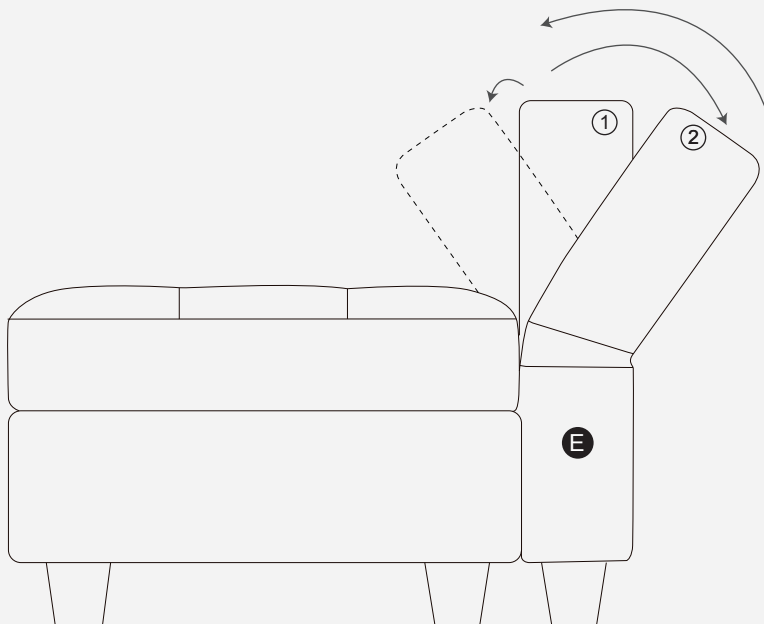
# BACKREST ADJUSTMENT

The backrests are adjustable continuously by "pull "or "push".

To adjust the backrests, just pull it to dotted line position (as the picture shows) to get reset first then pull the back frame to the desired position.

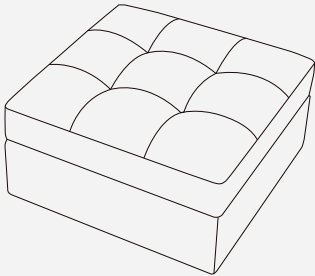
Please note that the maximum angle of pulling is 135°.

You can push the backrest back directly and there is no need to get reset.



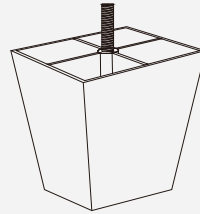
# CARTON C PART LIST

**D** Single Seat Frame



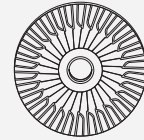
x1

**C** Plastic Leg



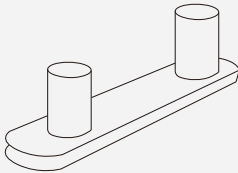
x4

**3** Plastic Washer



x4

**5** Single Seat Fitting



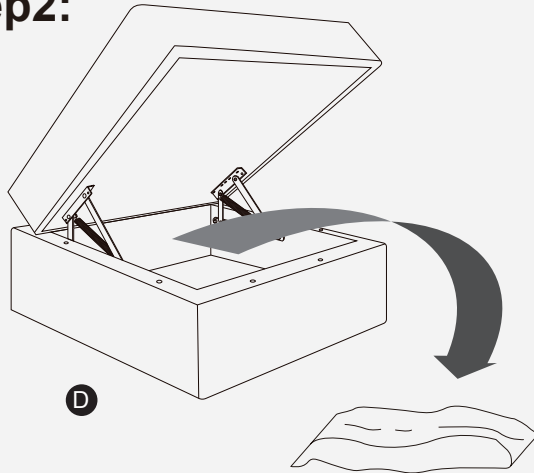
x2

# CARTON C ASSEMBLY

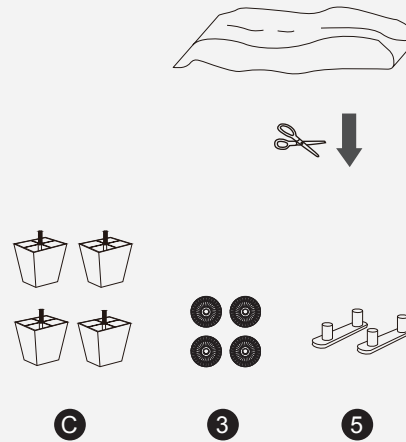
## Step1:

Seat frame is in carton C ,Remove all parts from the carton C,Place them on protected surface or carpet.

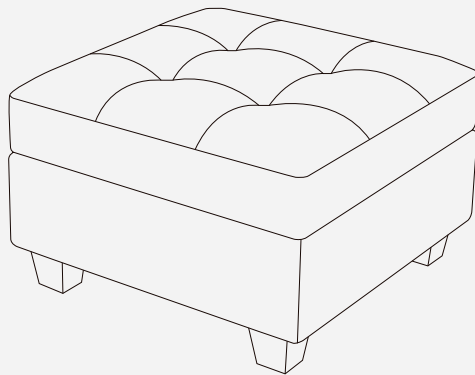
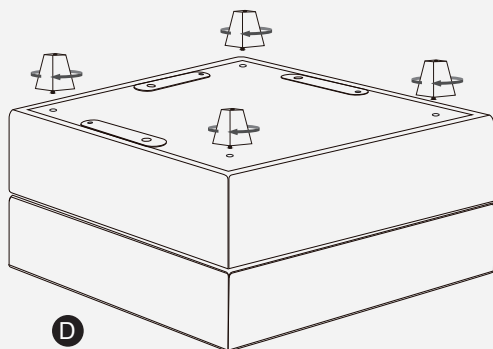
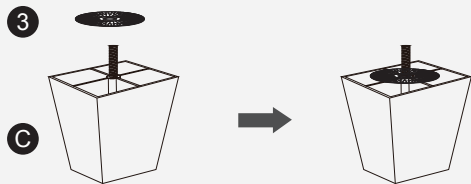
## Step2:



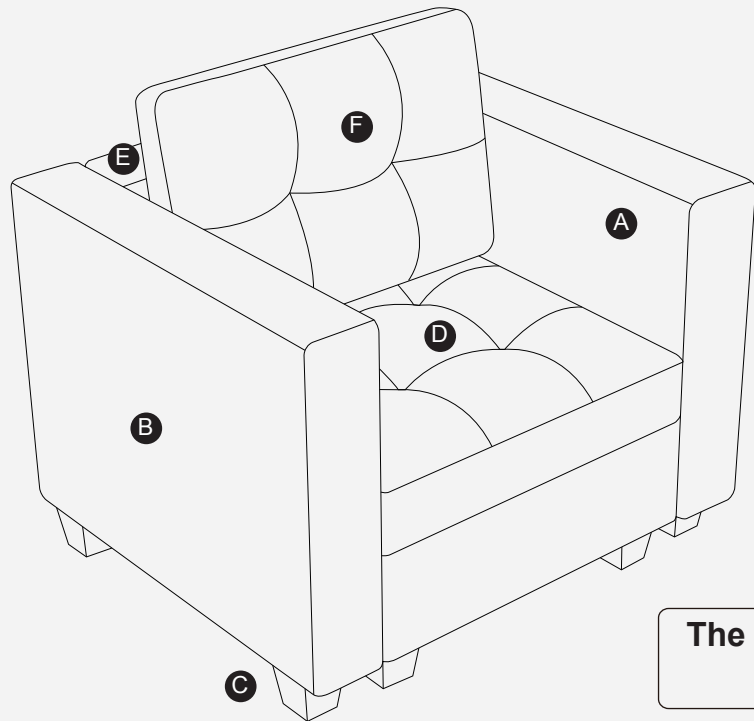
## Step3:



## Step4:



# CARTON A + CARTON B



The single sofa chair is made up of 1\*CartonA and 1\*CartonB

# MULTI-SEATER SOFA ASSEMBLY

