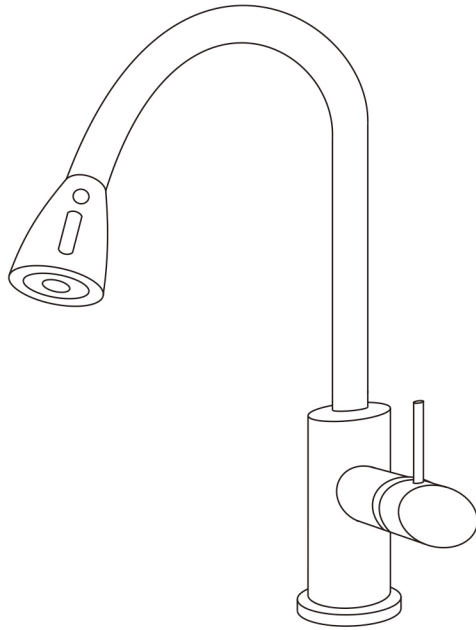


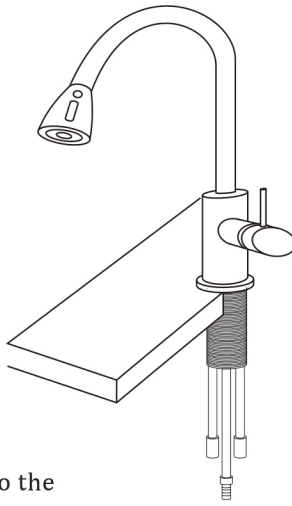
# User's Manual



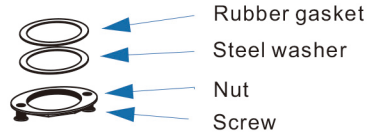
# Installation Manual



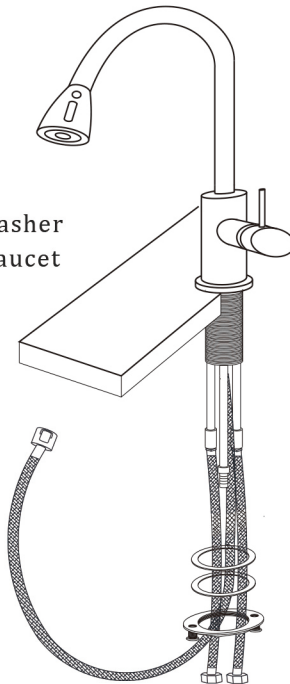
- Material list :
1. Faucet body
  2. Flexible hose\*2
  3. Screw tube
  4. Brass nut
  5. Brass washer
  6. Rubber washer
  7. Screw\*2
  8. Rubber O-ring



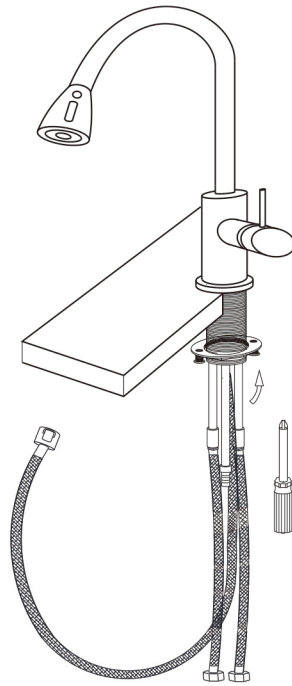
1. Connect water supply lines to the faucet shanks



2. Slide the rubber gasket, washer and nut over the hoses and faucet shank.



3. Tighten the nut with phillips screwdriver

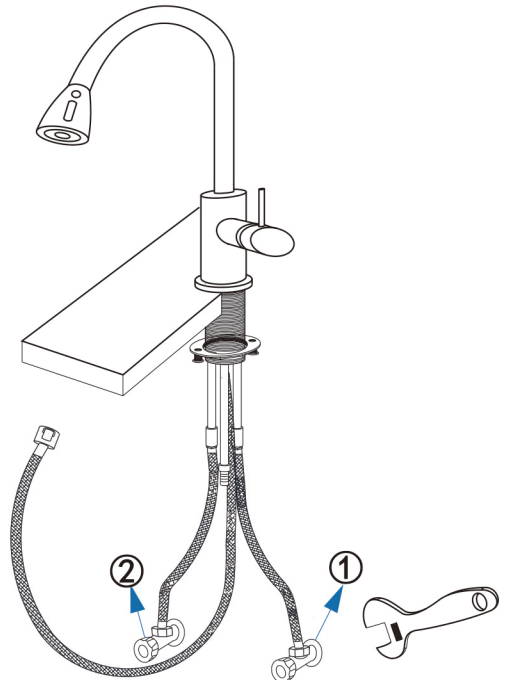


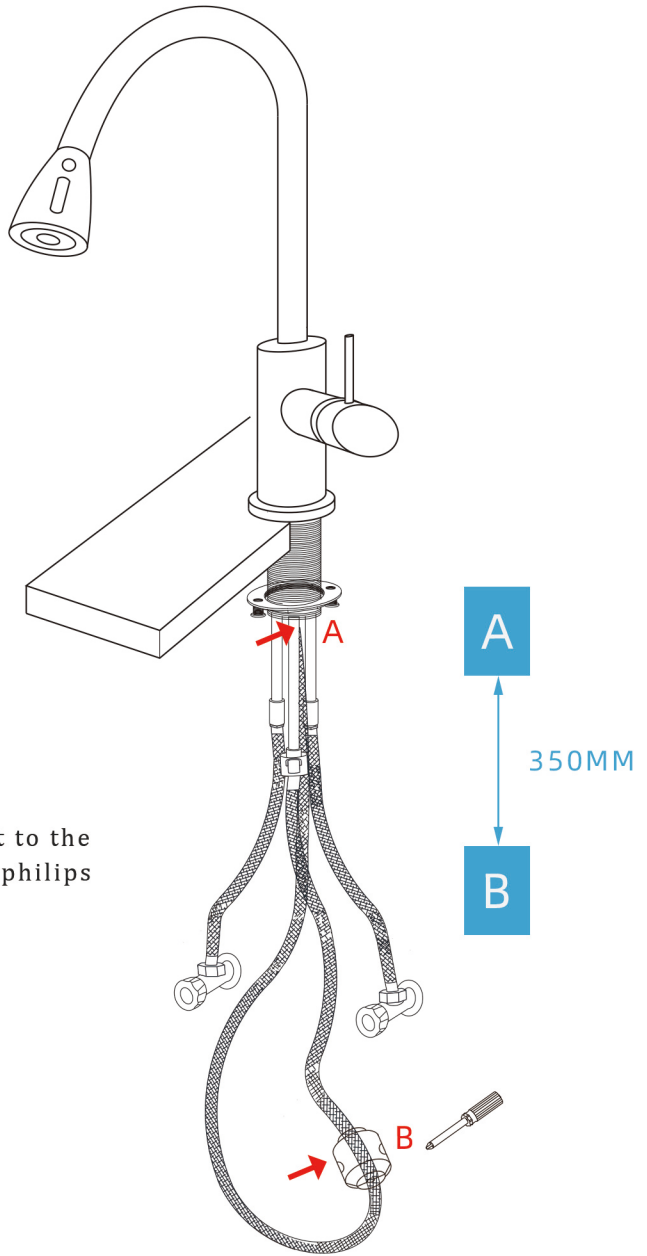
4. Connect supply line with red strip to the hot water inlet;

Connect supply line with blue strip to the cold water inlet.

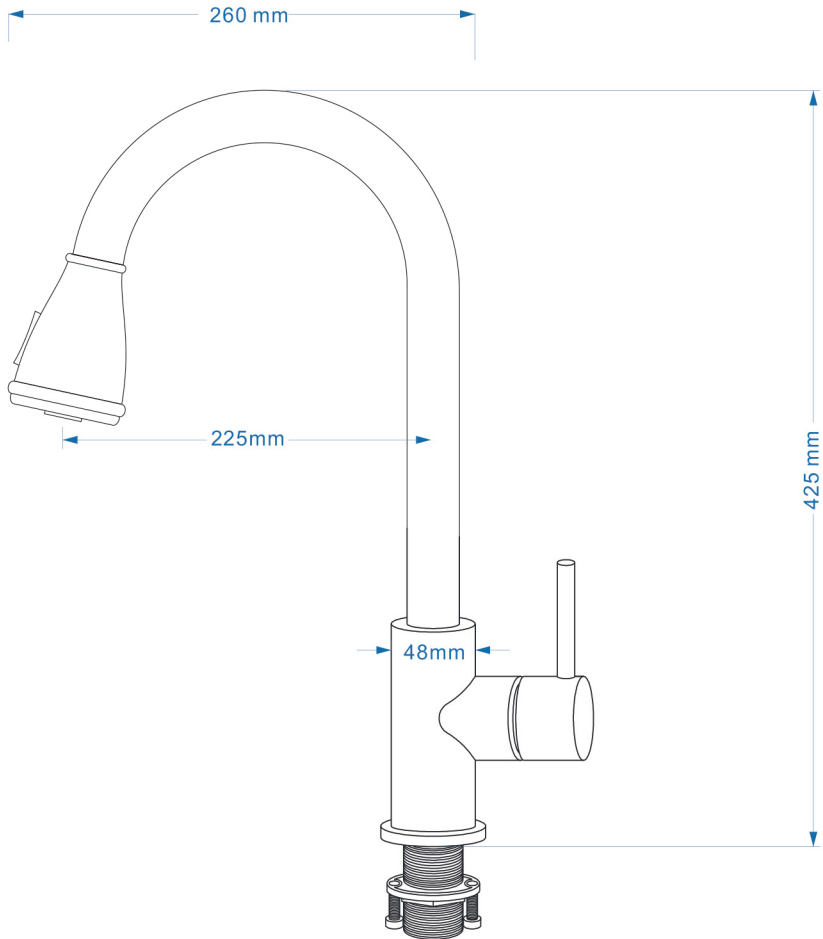
Secure both of the connections with adjustable wrench and turn both inlet valve on to check if there is leaking.

5. Connect the pull-out long hose to the outlet hose and secure the connection with wrench;





6. Attach the weight kit to the hose at position B with philips screwdriver



## CLEANING CARE

In order to keep the appearance of faucet clean, bright and good performance, please take care of the faucet as follows;

1. Rinse with water only and dry with soft cotton cloth;
2. Use mild liquid and colorless glass cleaner to remove surface dirt and scale film, or use polish without abrasive effect;
3. Do not use abrasive detergent, polish, emery cloth, paper towel or scraper, etc.;
4. Do not use acid cleaner, or cleaner and soap with insoluble gran etc.;
5. In the process of use, mud may accumulate in the bubbler and make the water flow show, The bubbler can be unscrewed, rinsed with water, and then installed back in place.



