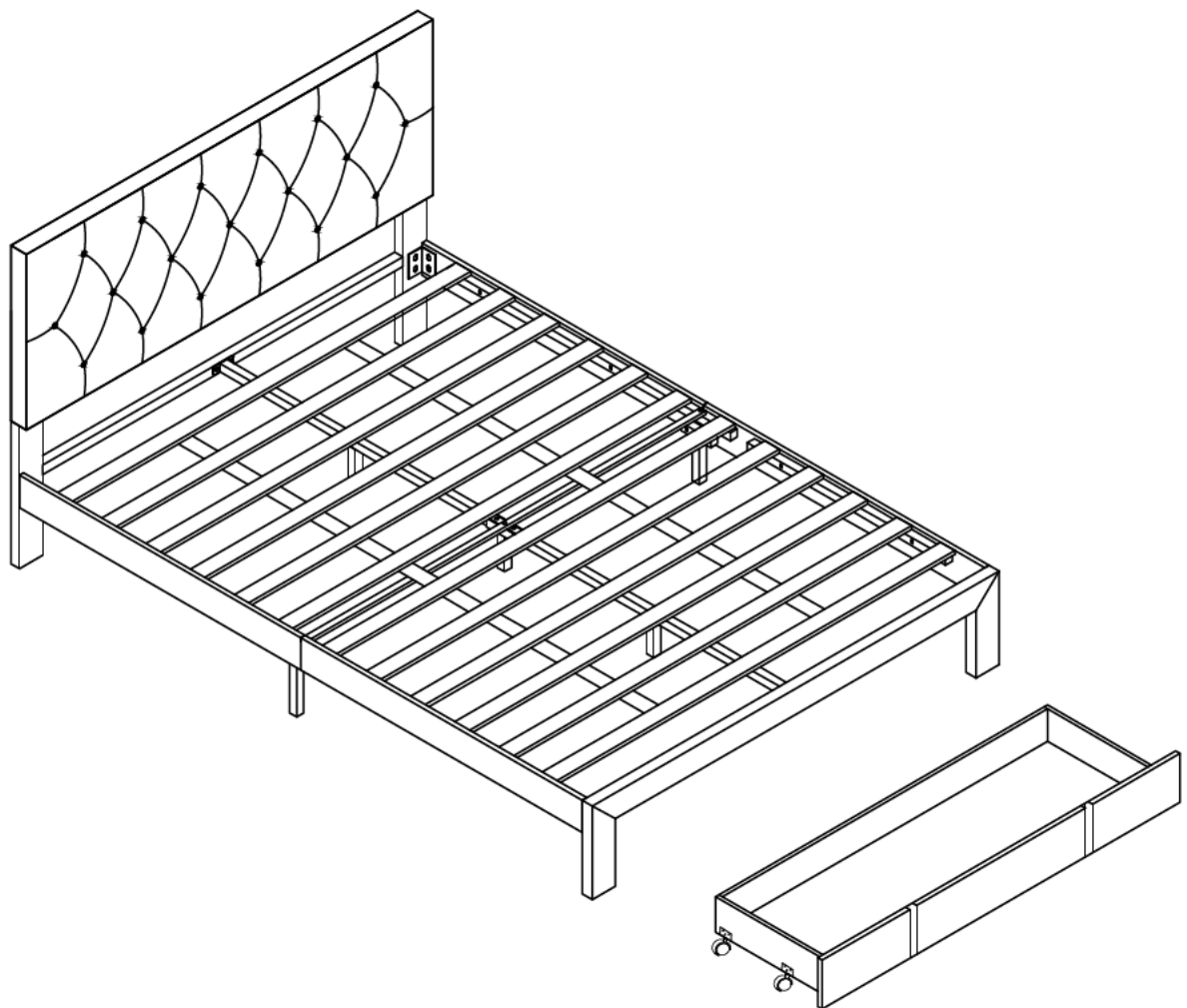
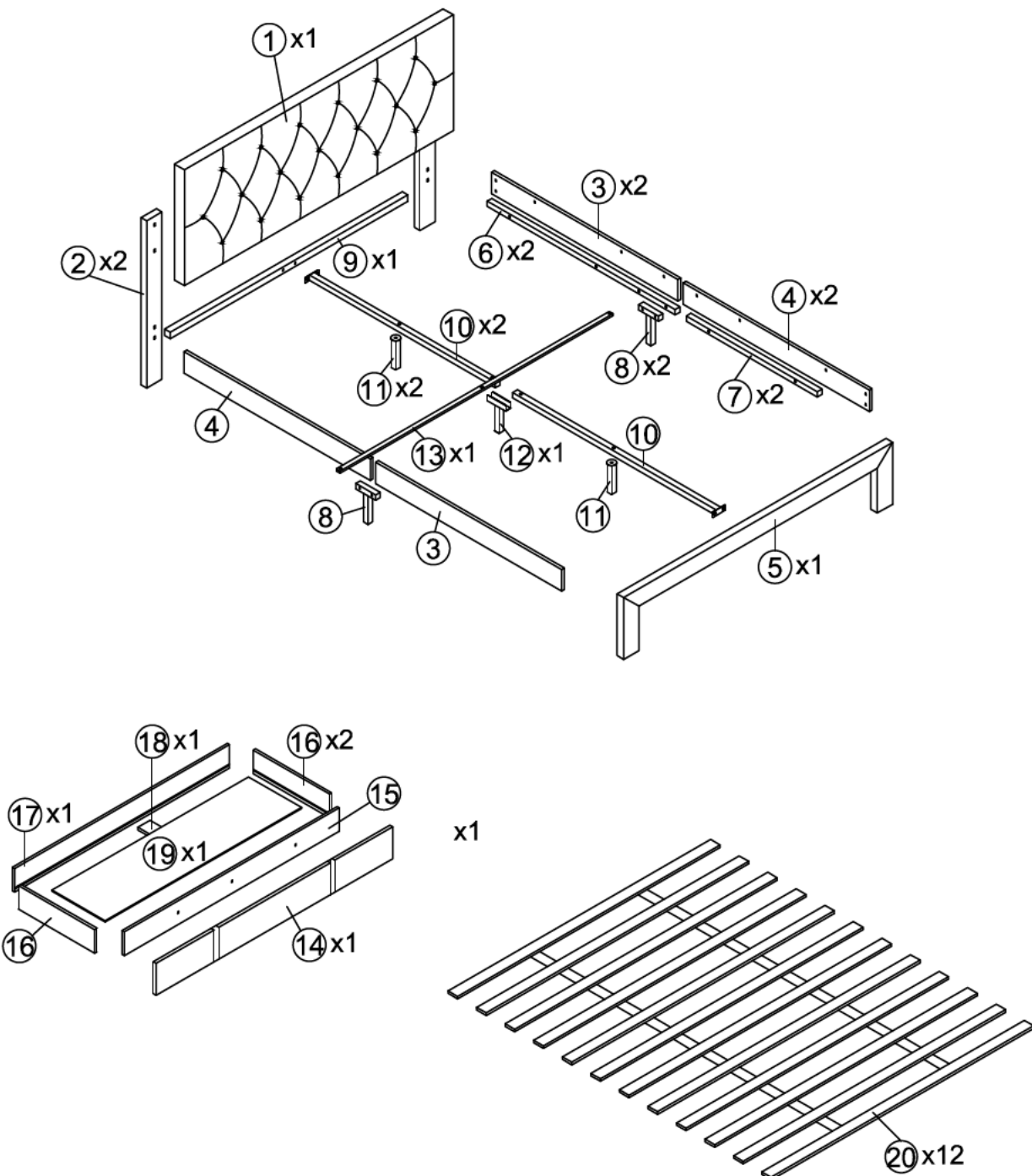


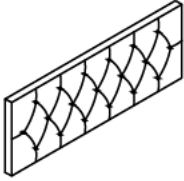



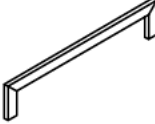








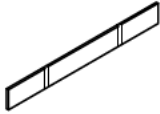





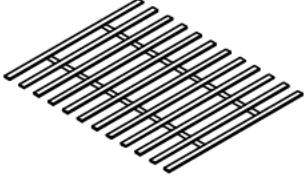
ASSEMBLY INSTRUCTION











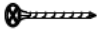







Detail View



Hardware List

| | | | | | |
|------------------------------|---|-------------------------------|---|------------------------------|---|
| 1 |  | 2 |  | 3 |  |
| Head board -1pc | | Head board legs -2pcs | | Siderails -2pcs | |
| 4 |  | 5 |  | 6 |  |
| Siderails -2pcs | | Foot board -1pc | | Side rails support bar -2pcs | |
| 7 |  | 8 |  | 9 |  |
| Side rails support bar -2pcs | | Side rails support legs -2pcs | | Head board cross bar -1pc | |
| 10 |  | 11 |  | 12 |  |
| Center support bar -2pcs | | Middle support leg -2pcs | | Connected support leg -1pc | |
| 13 |  | 14 |  | 15 |  |
| Cross bar -1pc | | Drawer outer board -1pc | | Drawer board -1pc | |
| 16 |  | 17 |  | 18 |  |
| Drawer board -2pcs | | Drawer board -1pc | | Drawer support bar -1pc | |
| 19 |  | 20 |  | | |
| Drawer bottom board -1pc | | Slats -12pcs | | | |

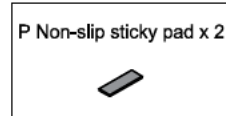
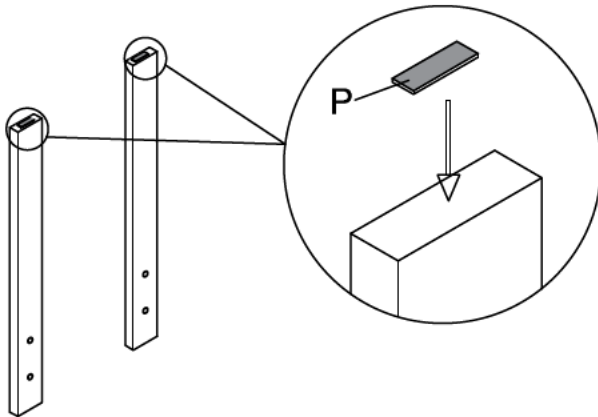
Hardware List

| | | |
|---|--|--|
| A  Allen Key (2pcs) | B  $\phi 8 \times 50 \text{mm}$ Bolts (4pcs) | C  $\phi 8 \times 16 \text{mm}$ Bolts (24pcs) |
| D  $\phi 8 \times 40 \text{mm}$ Bolts (23pcs) | E  Washer (8pcs) | F  Two hole iron (2pcs) |
| G  "7" Connector (4pcs) | H  Nuts (4pcs) | I  $\phi 4 \times 30 \text{mm}$ Nails (4pcs) |
| J  $\phi 8 \times 30 \text{mm}$ Bolts (3pcs) | K  Spanner (1pc) | L  Drawer fittings (12pcs) |
| M  Drawer fittings (12pcs) | N  $\phi 3 \times 16 \text{mm}$ Nails (12pcs) | O  Drawer wheel (4pcs) |
| P  Non-slip sticky pad (2pcs) | | |

Attention: Do not tighten the screws before completing the entire installation. If you have any difficulty with the installation process, please feel free to contact us.

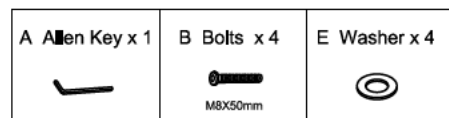
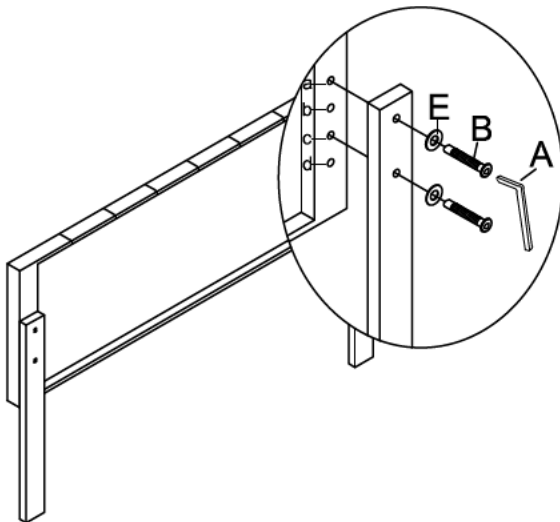
Step 1 x2

Stick the Non-slip sticky pad P to the Headboard legs ②.



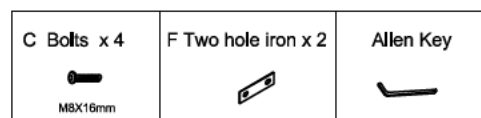
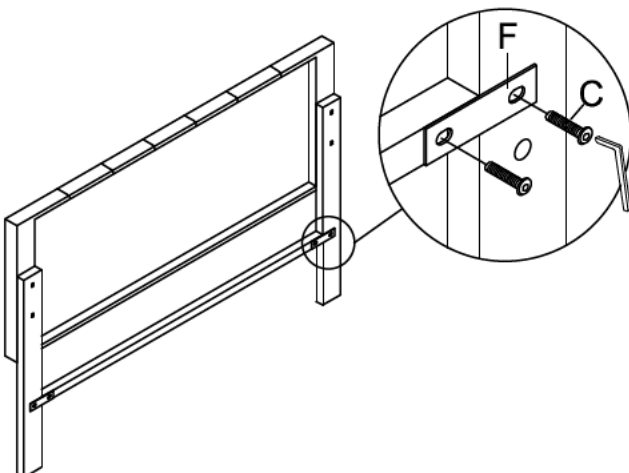
Step 2 x2

Fix the Headboard legs ② to the Headboard ① with Bolt B and washer E by using Allen key A. You can chose the hole a and c ,or b and d.



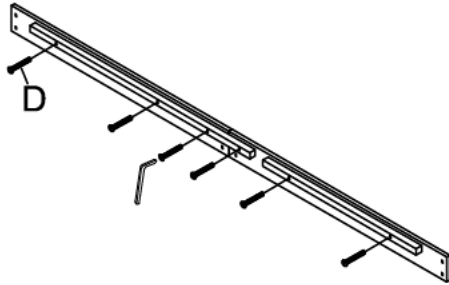
Step 3 x2



Fix the Headboard cross bar ⑨ to the Headboard legs ② with Bolt C and Two hole iron F by using Allen key A.



Step 4 x2

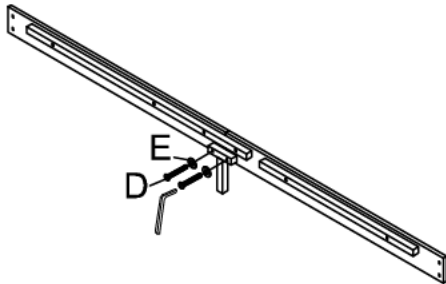
Connect Siderails ③ and ④ to Siderail support bar ⑥ and ⑦ with Bolts D by using Allen key A.






| | |
|--|--|
| D Bolts x 12  M8X40mm | Allen Key  |
|--|--|

Step 5 x2

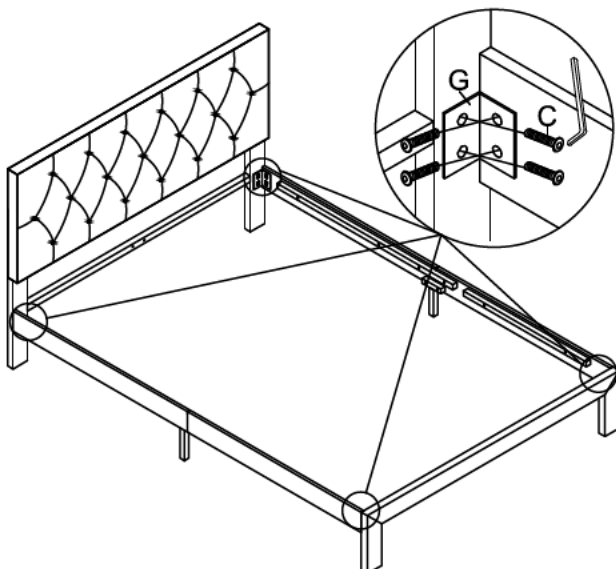
Fix the Siderail support leg ⑧ to the assembled siderail with Bolt D and Washer E by using Allen key A.






| | | |
|---|---|--|
| D Bolts x 4  M8X40mm | E Washer x 4  | Allen Key  |
|---|---|--|

Step 6

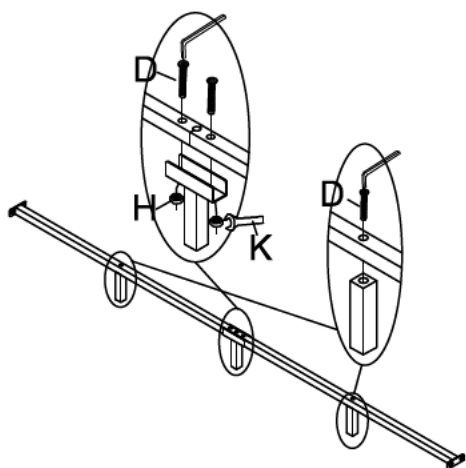
Fix the assembled siderail to the Headboard legs ② and footboard ⑤ with Bolt C and "7" Connector by using Allen key A.







| | | |
|--|--|--|
| C Bolts x 16  M8X16mm | G "7" Connector x 4  | Allen Key  |
|--|--|--|

Step 7

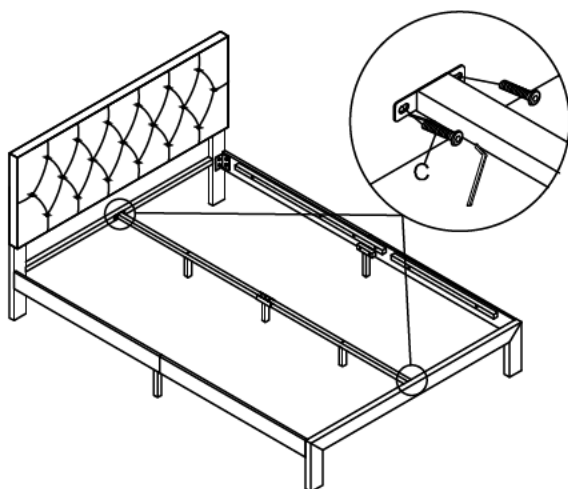
Fix the Middle support leg ⑪ to the Center support bar ⑩ with Bolt D by using Allen key A. Fix connected support leg ⑫ to the Center support bar with Bolt D and Nuts H by using Spanner K.





| | | | |
|--|---|--|--|
| D Bolts x 4  M8X40mm | H Nuts x 2  | K Spanner x 1  | Allen Key  |
|--|---|--|--|

Step 8

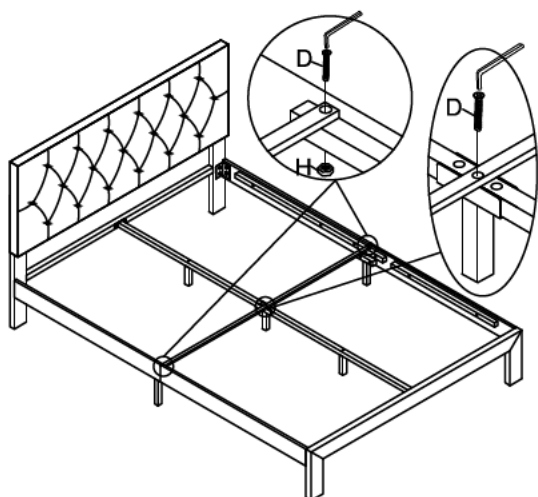
Fix the Center support bar to the Headboard cross bar ⑨ and Footboard ⑤ with Bolt C by using Allen key A.






| | |
|---|--|
| C Bolts x 4  M8X16mm | Allen Key  |
|---|--|

Step 9

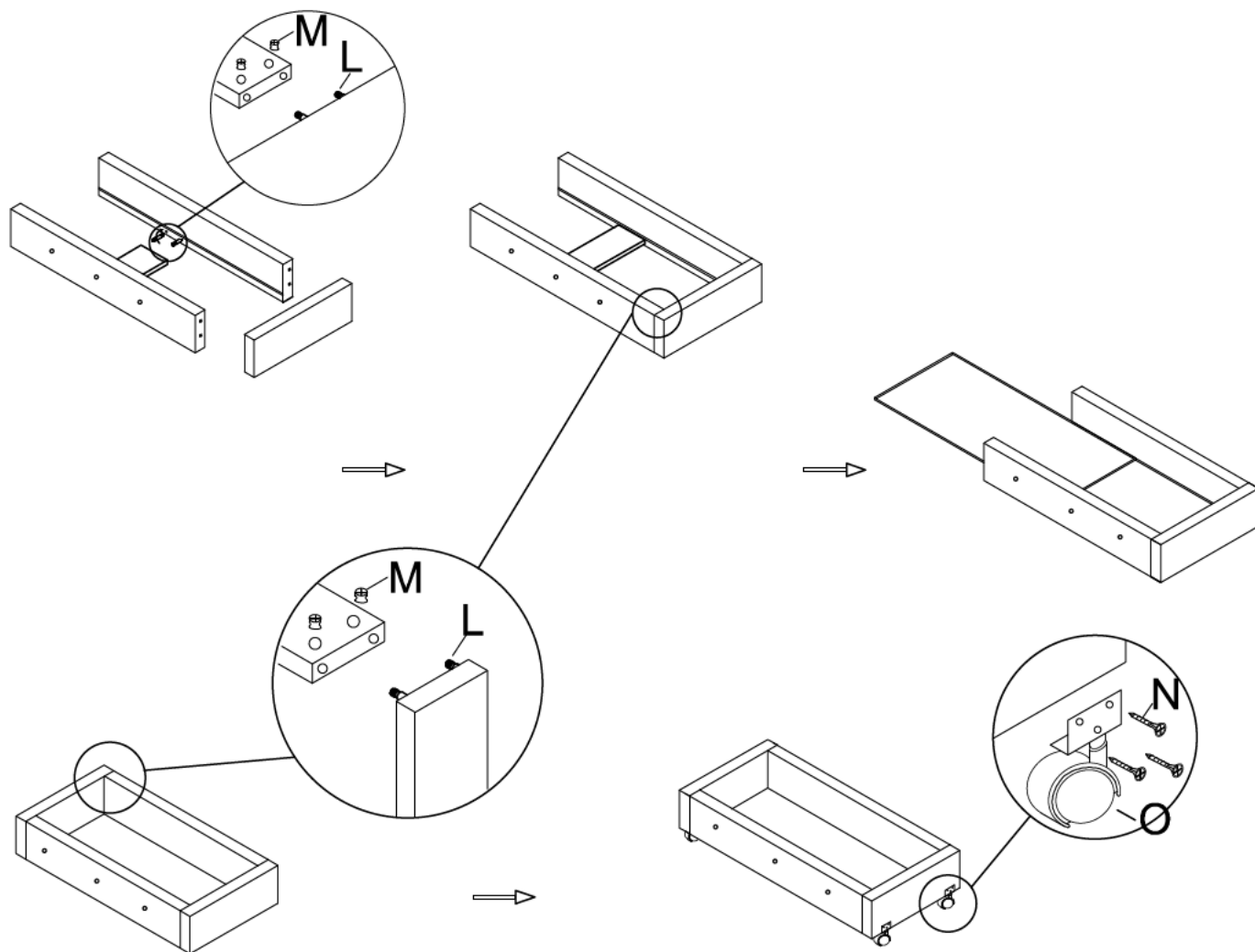
Fix the Cross bar ⑬ to the Siderails bar and Center support bar with Bolt D and Nuts H by using Allen key A.



| | | |
|---|---|--|
| D Bolts x 3  M8X40mm | H Nuts x 2  | Allen Key  |
|---|---|--|

Step 10

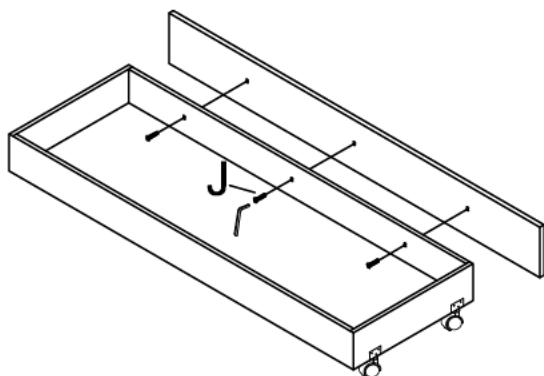
Assembled the Drawer with Drawer fittings L and M. Fix the Drawer wheel O with Nails N by using Electric drill or Screw driver.



| | | | | |
|------------------------|------------------------|--------------|--------------------|--|
| L Drawer fittings x 12 | M Drawer fittings x 12 | N Nails x 12 | O Drawer wheel x 4 | |
| | | M3X16mm | | |

Step 11

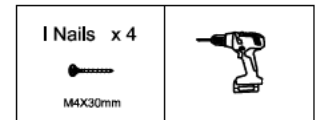
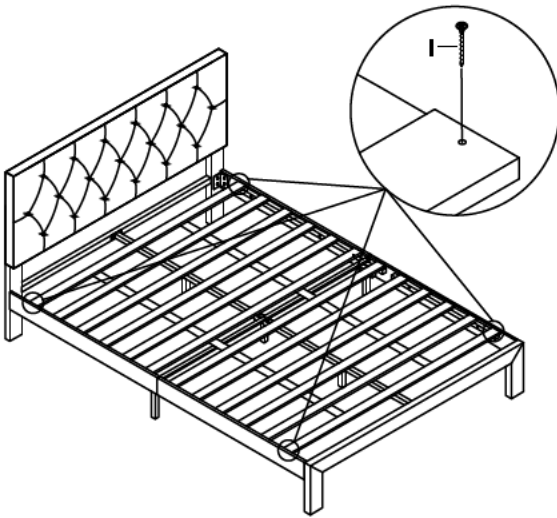
Fix Drawer outer board 14 to the drawer with Bolt J by using Allen key A.



| | |
|-------------|-----------|
| J Bolts x 3 | Allen Key |
| M8X30mm | |

Step 12

Fix the Slats to the Siderail support bar with Nail I by using Electric drill or Screw driver.



Step 13

Push the drawers into the bed, then assembly is finished.

