












Assembly Instructions

Caution: You must read this before you proceed

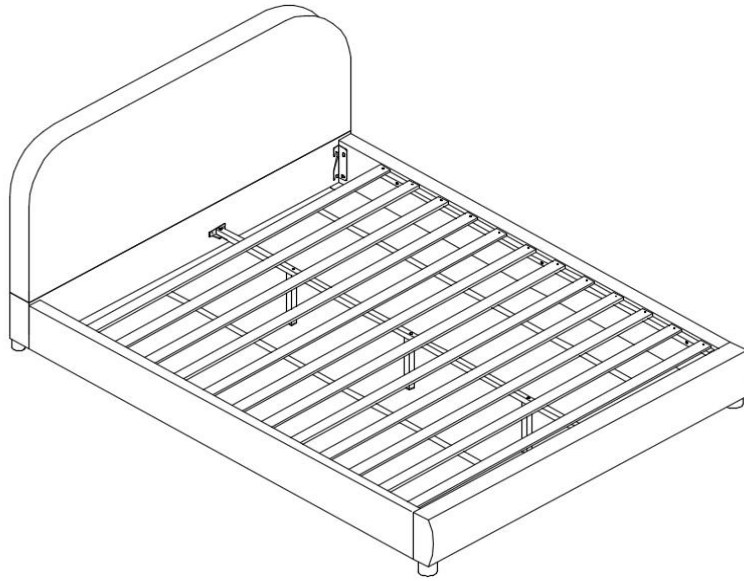
Care & Maintenance

-  ● Not for commercial use. For residential use only.
-  ● Furniture may scratch floors. We recommend using furniture pads to protect your floors.
-  ● Do not put hot items directly on furniture surface.
-  ● Do not clean furniture with harsh cleansers or polish.
-  ● Do not place furniture under direct sunlight.
-  ● Do not place furniture near heating or cooling vents.
-  ● Do not write on furniture without a padded barrier to protect the surface.
-  ● Do not place furniture outside . For indoor use only.
-  ● Stains may be removed with mild soap solution and damp cloth.
-  ● Children should not climb or jump on the furniture.
-  ● Dust and pick-up spills using a clean, non-colored, lint-free cloth.

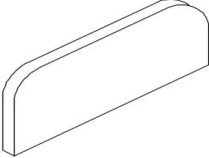
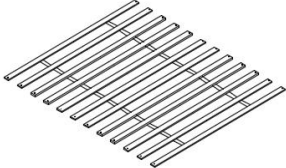
Please look in the magic tape pouch for hardware packs and legs.

Sets often ship in multiple boxes and may arrive a day or two apart.

BED

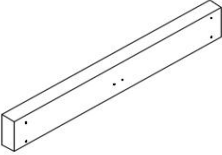
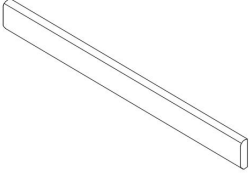
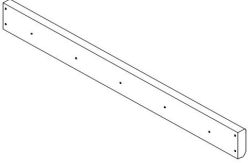
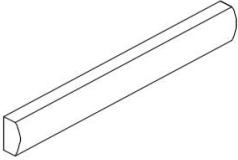
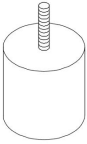


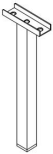


Part List





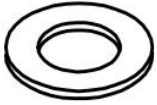
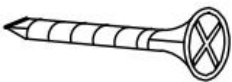
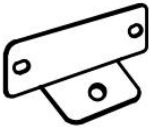
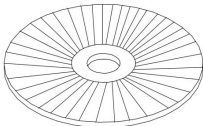
Label	Picture	Description	QTY
A		Head board	1
J		Salts	12

Part List

Label	Picture	Description	QTY
-------	---------	-------------	-----

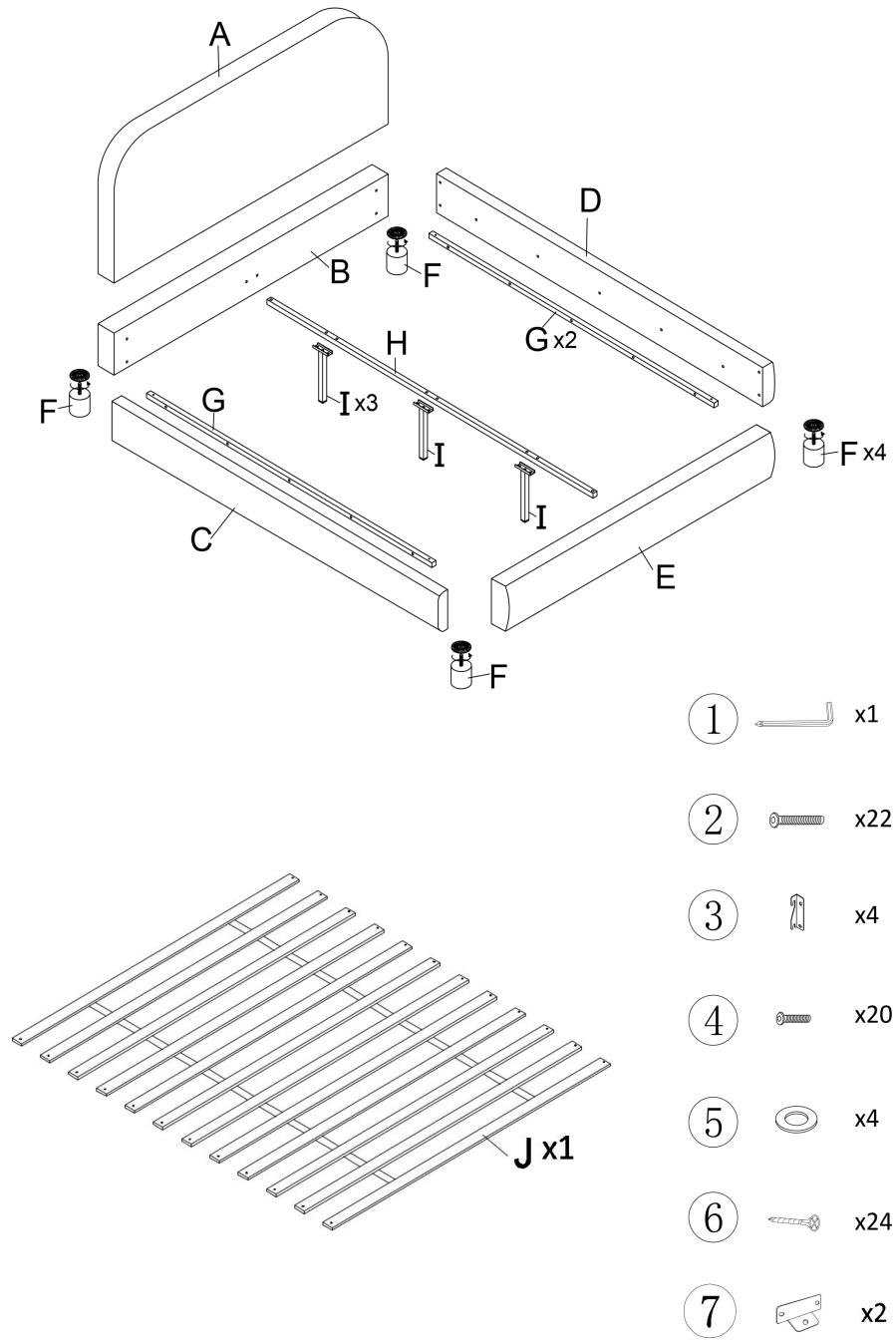
B		Base board	1
C		Side rail (Labelled "C")	1
D		Side rail (Labelled "D")	1
E		Foot board	1
F		Bed legs	4
G		Side rails support bar	2
H		Center support bar	1
I		Middle support legs	3

Hardware

Label	Picture	Description	QTY
①		Allen Wrench (M5)	1
②		Bolts (M8x45mm)	22
③		Hinge	4
④		Bolts (M8x20mm)	20
⑤		Washer	4
⑥		Nails (M4X30mm)	24
⑦		Center support bar fittings	2
⑧		Twist gasket	7

Assembly Preparation

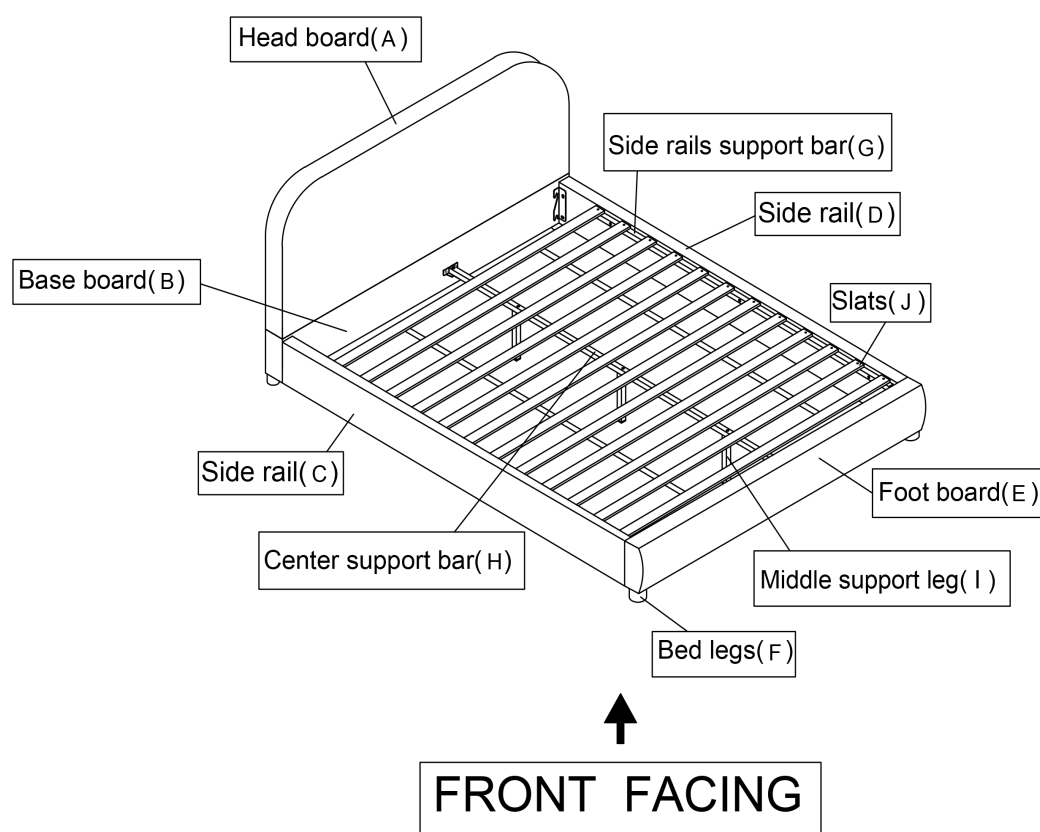
Before Beginning Assembly:



- Read instructions, cover to cover-
- Have 2 adults on hand for assembly-
- Do not assemble on flooring or carpet-
- Assemble on a clean non-marring surface (packing foam)-
- Save all packaging until finished-

Assembly Steps

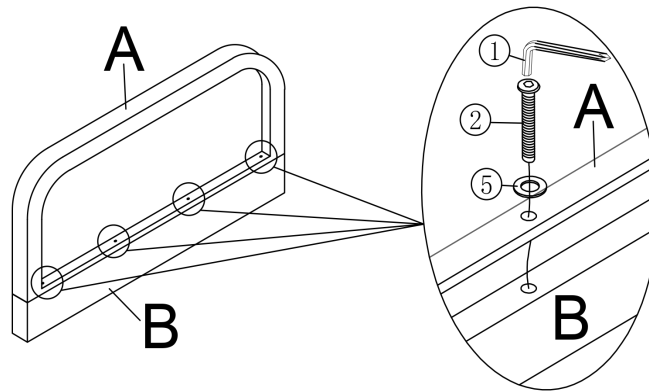
OVERVIEW






This Bed have multiple parts and may require up to 45 minutes to assemble. To give you an overview of the Bed parts, the above picture is to help you put the various parts into perspective. Please read through the instructions below to familiarise yourself with the parts and steps before assembly.

Note: It is recommended that you have an adult partner to assist during the entire assembly process.

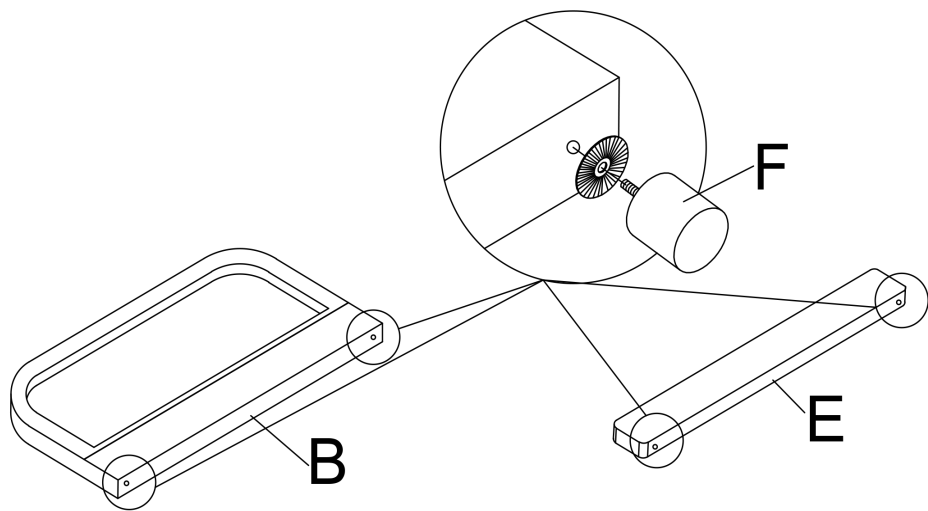
Step 1



① Allen Wrench 	② Bolts x 4 MBX45mm 	⑤ Washer x 4 
---	---	---

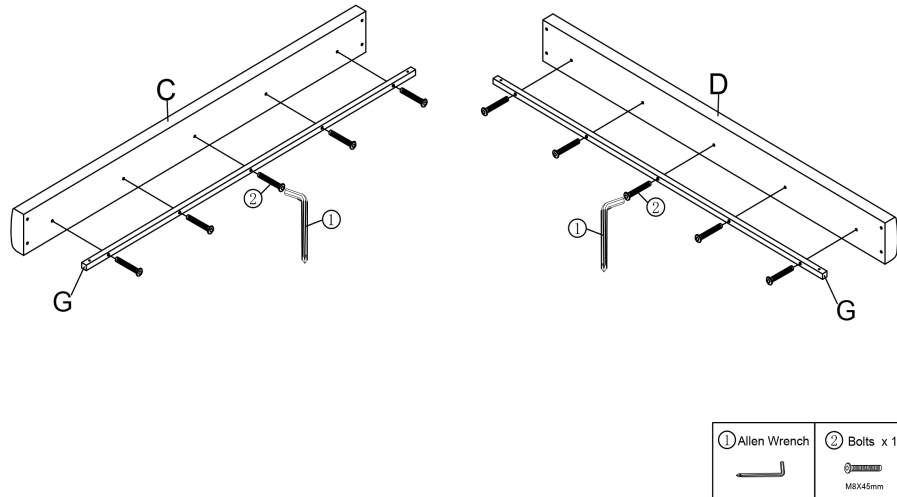
Fix the Head board (A) to the Base board (B) with Bolts(②) and washers(⑤) by using Allen wrench(①).

Step 2



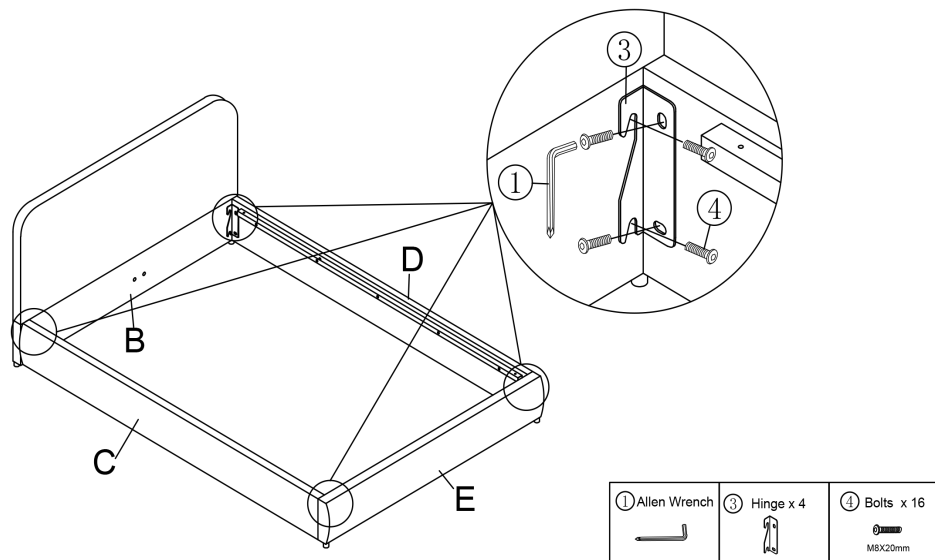
Fix the Legs (F) to the Base board (B) and Foot board (E).

Step 3



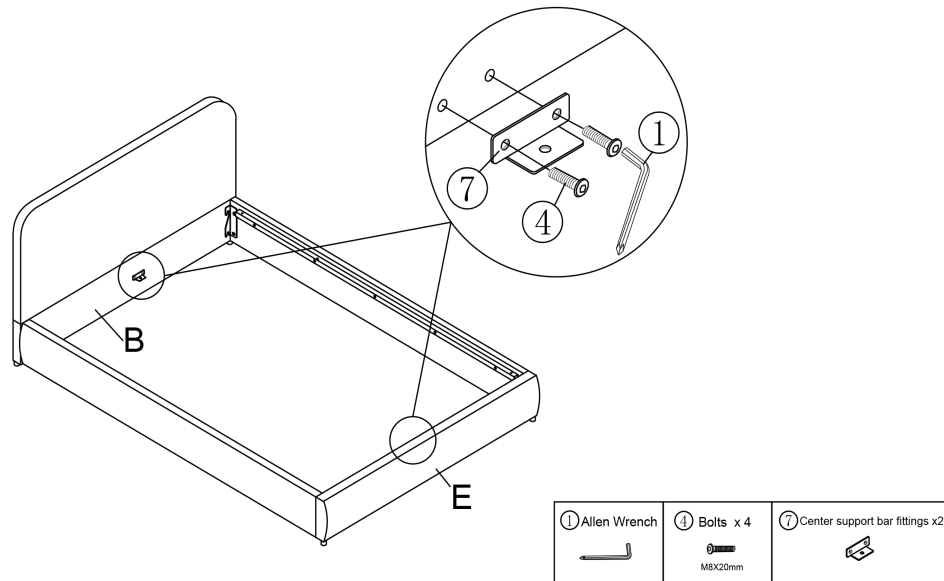
Fix the Siderail support bar (G) to Siderails (C/D) with Bolt(2) by using Allen Wrench(1) .

Step 4



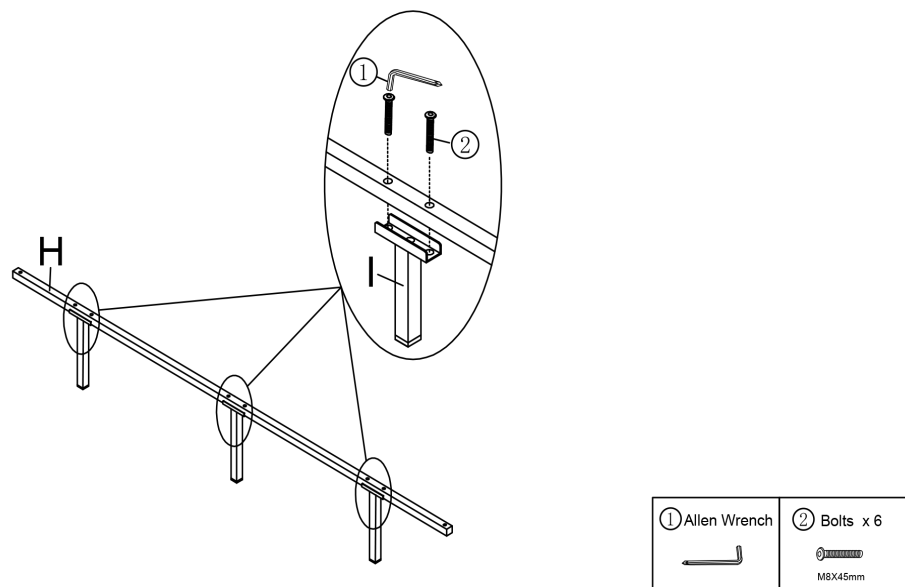
Fix the side rails (C/D) to the Base board (B) and Footboard (E) with Bolts(4) and Hinges(3) by using Allen Wrench(1) .

Step 5



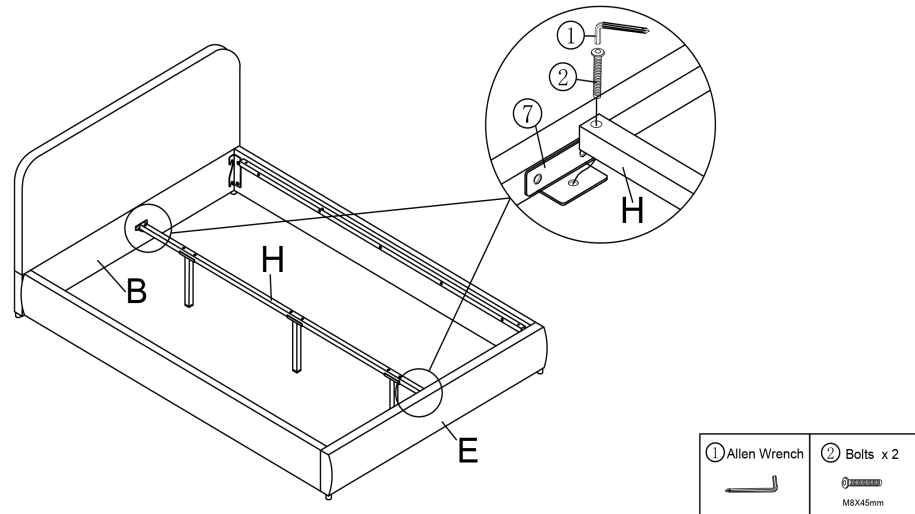
Fix the Center support bar fittings(7) to the Base board (B) and Foot board (E)with Bolts(4) by using Allen Wrench(1) .

Step 6



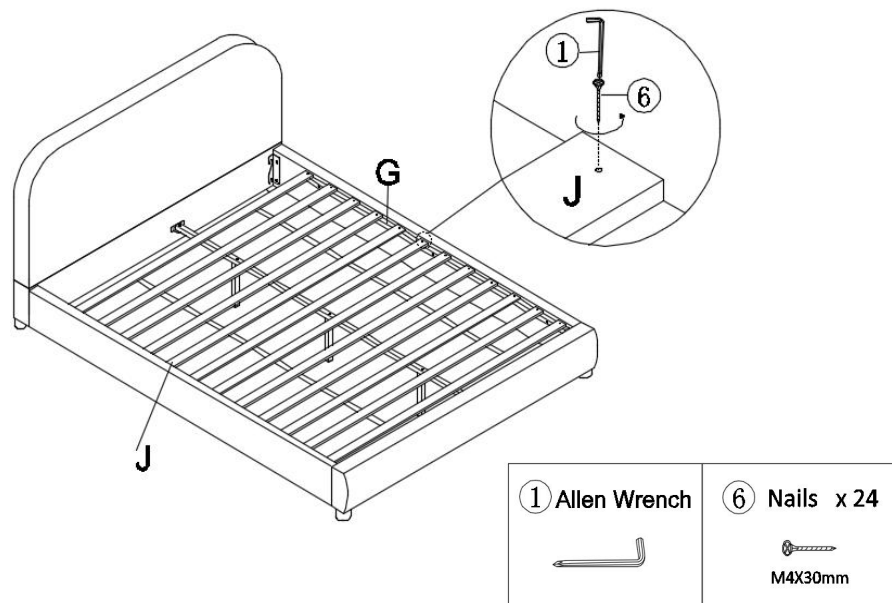
Fix the middle support leg (I) to the center support bar (H) with Bolts(2) by using Allen Wrench(1) .

Step 7



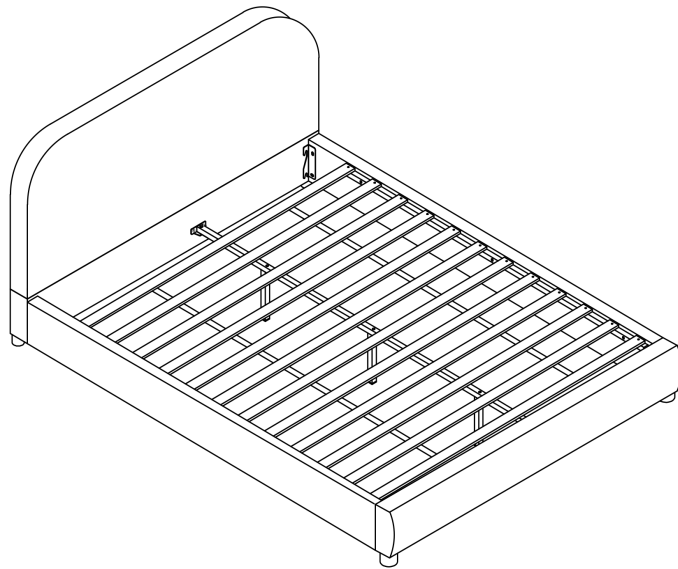
Fix the Center support bar (H) to the Base board (B) and Foot board (E) with Bolts(②) by using Allen Wrench(①) .

Step 8



Fix the Slats (J) to the side support bar (G) with Nails(⑥) by using Allen Wrench(①) or Electric drill.

Step 9



Your Bed is ready for use.
This Bed can only be used on a flat, level surface.