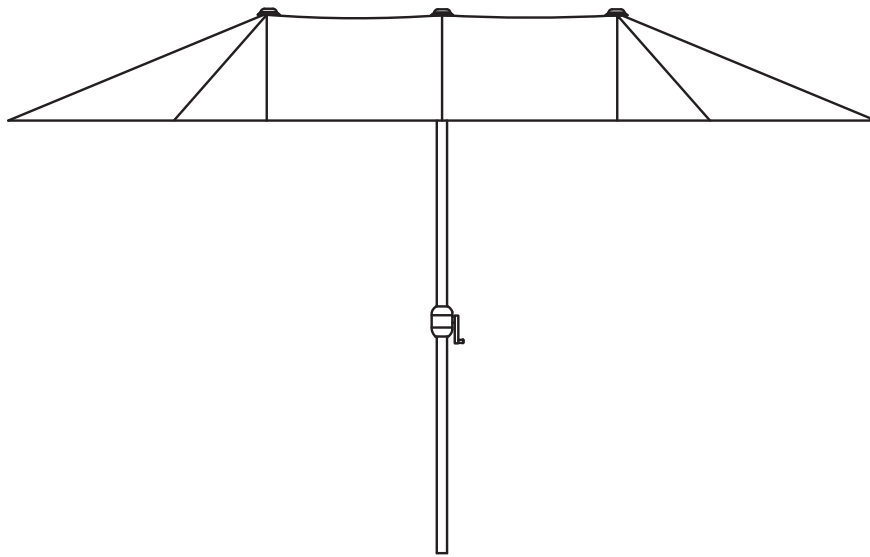


Assembly Instruction

15x9 Ft Rectangular Umbrella



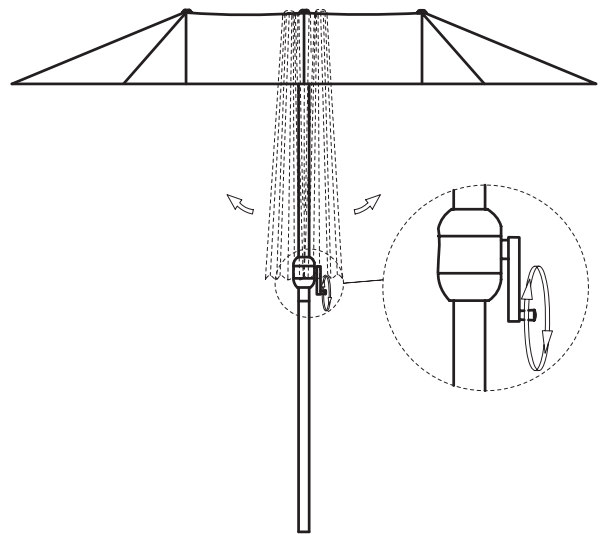
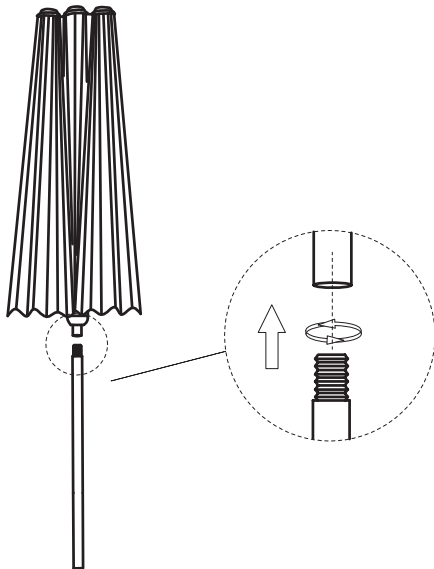
A

1



B

1



Attention

1. To clean your canopy, use only mild liquid soap and water, and a soft sponge to loosen and dirt. Never use bleach or leaning solvents as it will discolor your canopy. Use a mild soap and cloth to clean your aluminum or steel frame.
2. Allow umbrella to dry naturally in open position.
3. It is always recommended that an umbrella cover be used when not in use, as prolonged exposure to the sun's rays will eventually cause canopy fading or discoloring.
4. We recommend that this product be closed and secured during high winds and heavy rainy conditions.

Thanks for choosing our products. We'd love to hear your thoughts, and so would other customers. If you are satisfied with our products and service, please let us know.