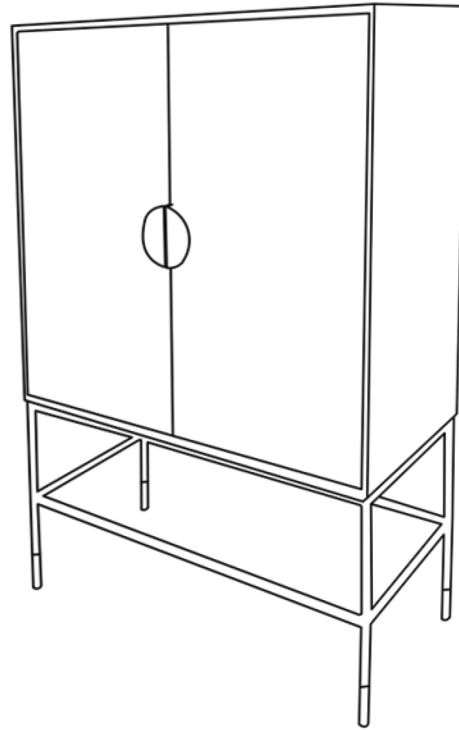


# ASSEMBLY INSTRUCTIONS

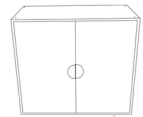

## CABINET



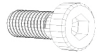

THANK YOU FOR YOUR PURCHASE!

# PARTS AND HARDWARE.

## PARTS LIST

No.	Description	Image	QTY
1	Wooden Cabinet		01
2	Legs		01

## HARDWARE LIST

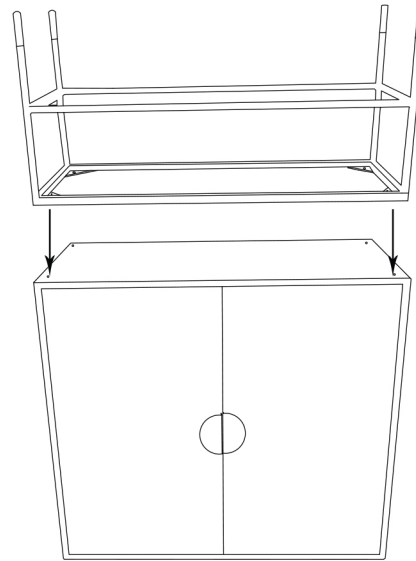
No.	Description	Image	QTY
3	ALLEN KEY BOLT		04
4	ALLEN KEY		01

## NOTES.

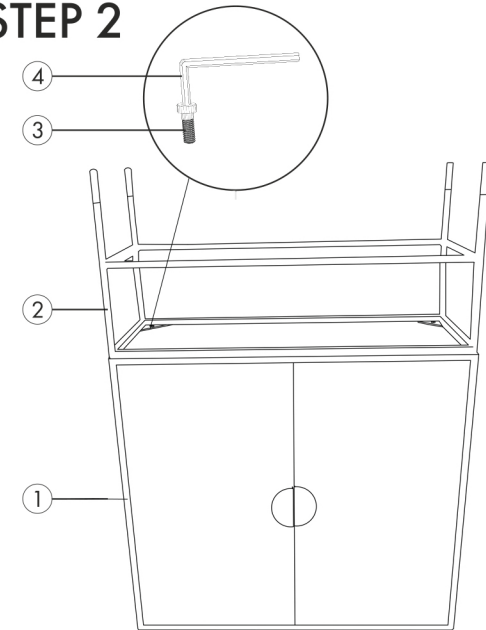
Thank you for purchasing this quality product! Be sure to check all packing material carefully for small part that may have come loose inside the carton during shipping.

**CAUTION:** The item is heavy, assembly should be performed by two people.

## STEP 1



## STEP 2



## STEP 3

