





ASSEMBLY INSTRUCTIONS

ITEM CODE # 48524

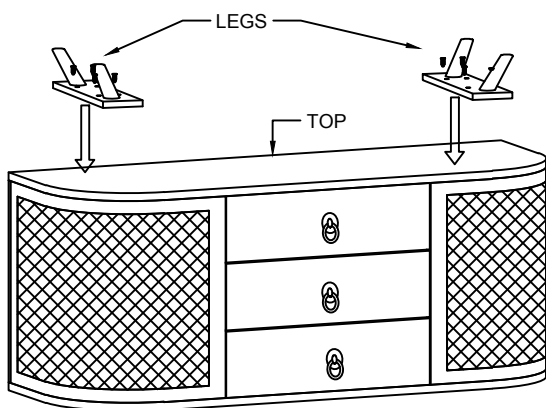
LABLE	PICTURE	DESCRIPTION	QTY
(A)		TOP	01 Pc.
(B)		LEGS	02 Pcs.

HARDWARE LIST

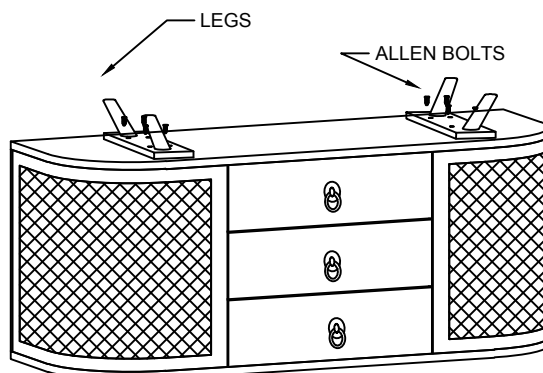
LABLE	PICTURE	DESCRIPTION	QTY
(A)		ALLEN BOLT	12 Pcs
(B)		ALLEN KEY	01 Pc.

STEPS

STEPS: 01



STEPS: 02



FINAL STEP

