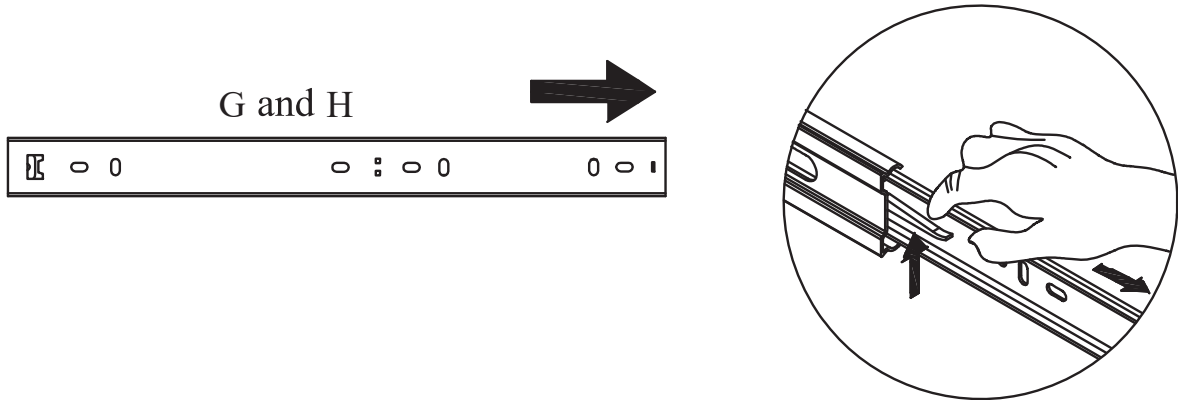
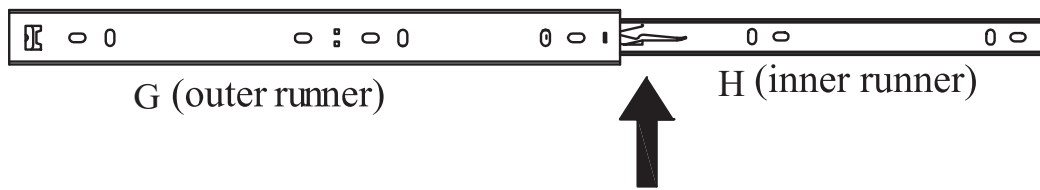


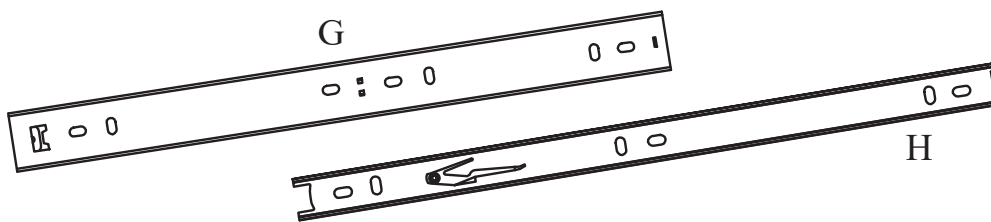
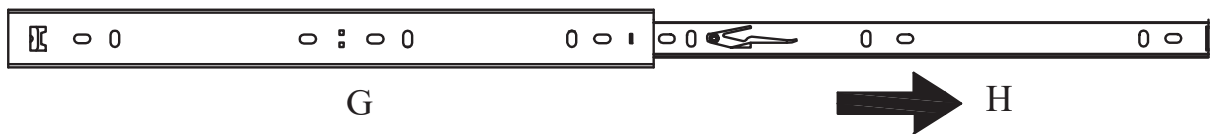
NOTE: Pull inner and outer drawer runners apart before fixing them to panels.



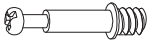
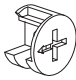


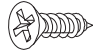

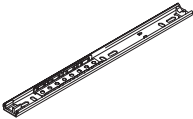
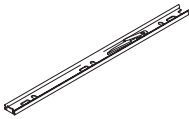
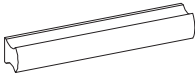


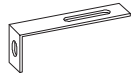

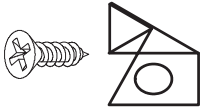

Slide drawer runners apart until the drawer lock can be seen, as shown.



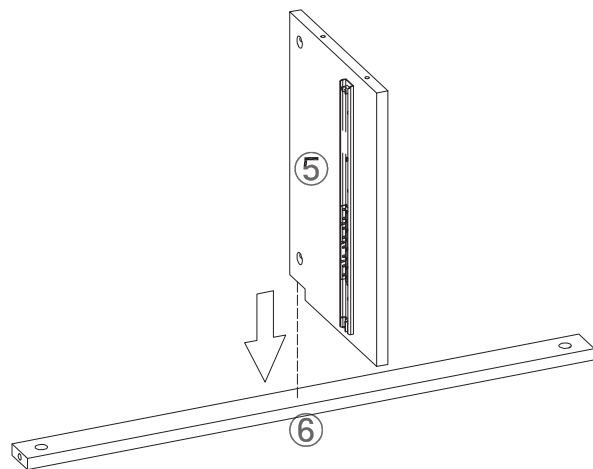
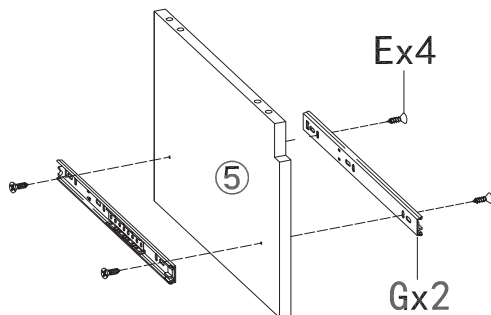
Press and hold the drawer runner lock upwards then continue to slide drawer runner apart, as shown.



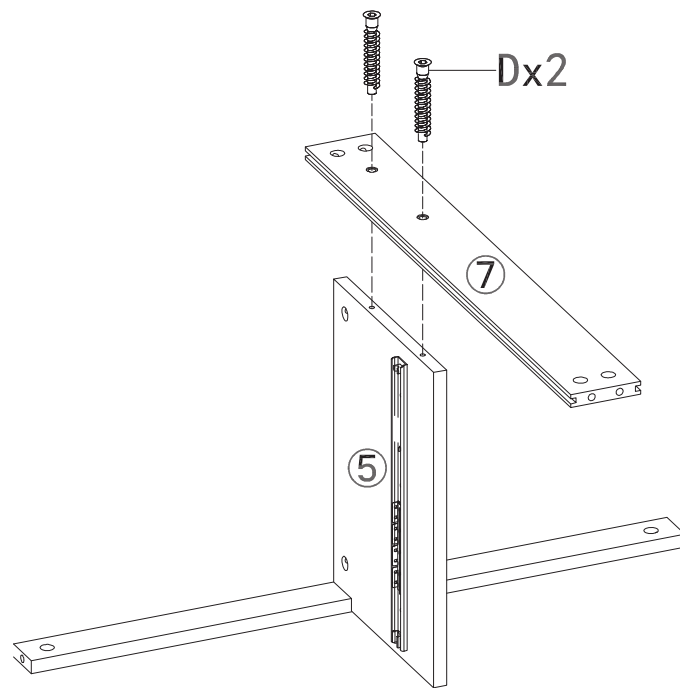
Your inner and outer drawer runners are ready to be fixed to panels.

A	B	C	D	E	F
				 M3.5*14mm	 M4*35mm
40	40	13	2	33	21
G	H	I	J	k	L
			 M4*20mm		  6*30mm
8	8	6	12	1	1
S	T				
					
6	4				

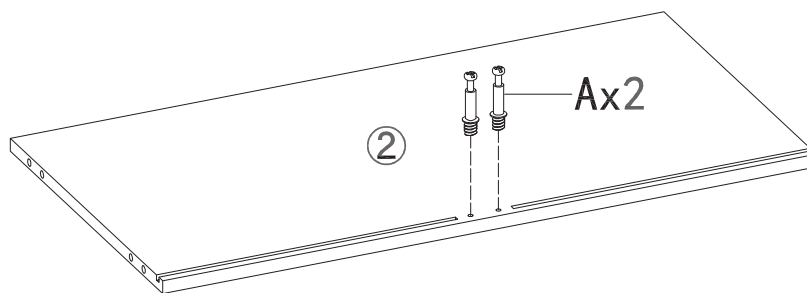
Step 1



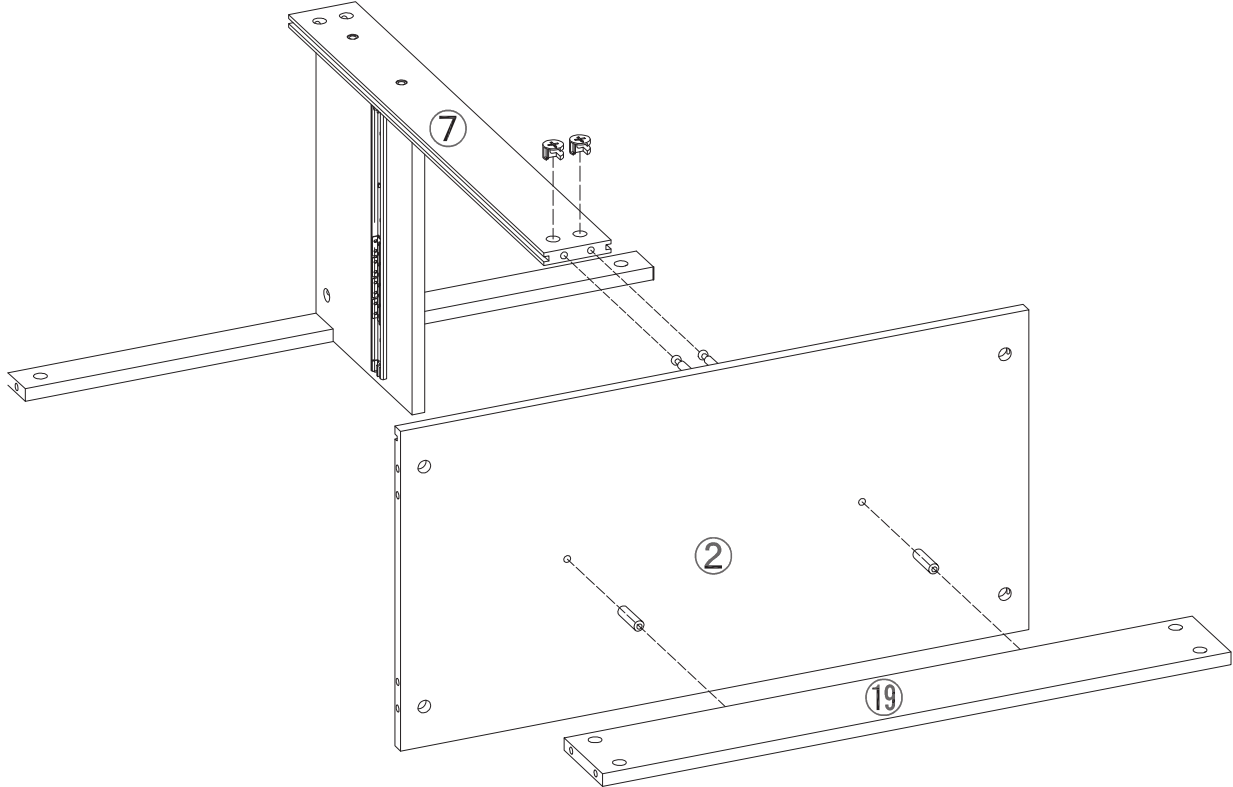
Step 2



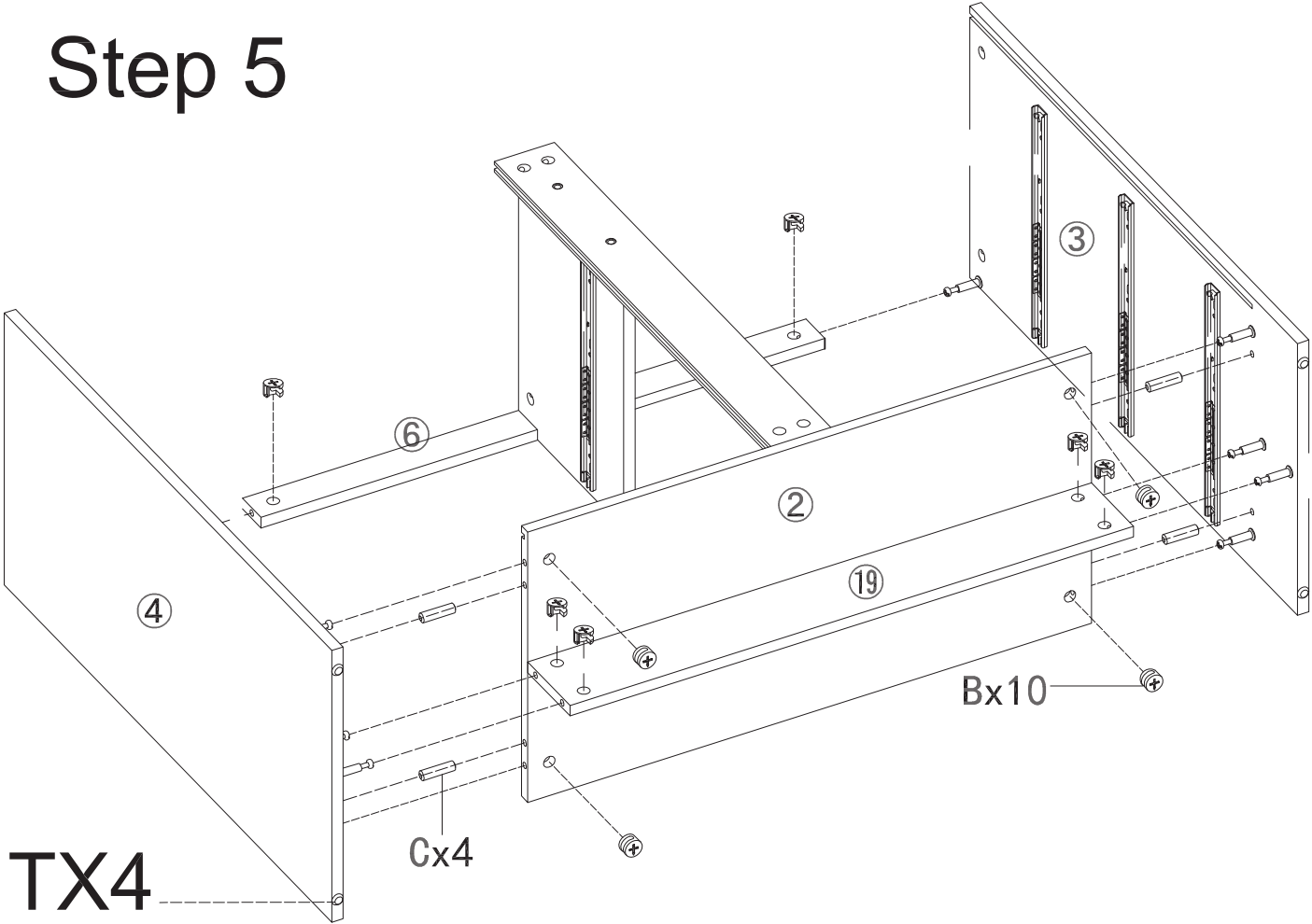
Step 3



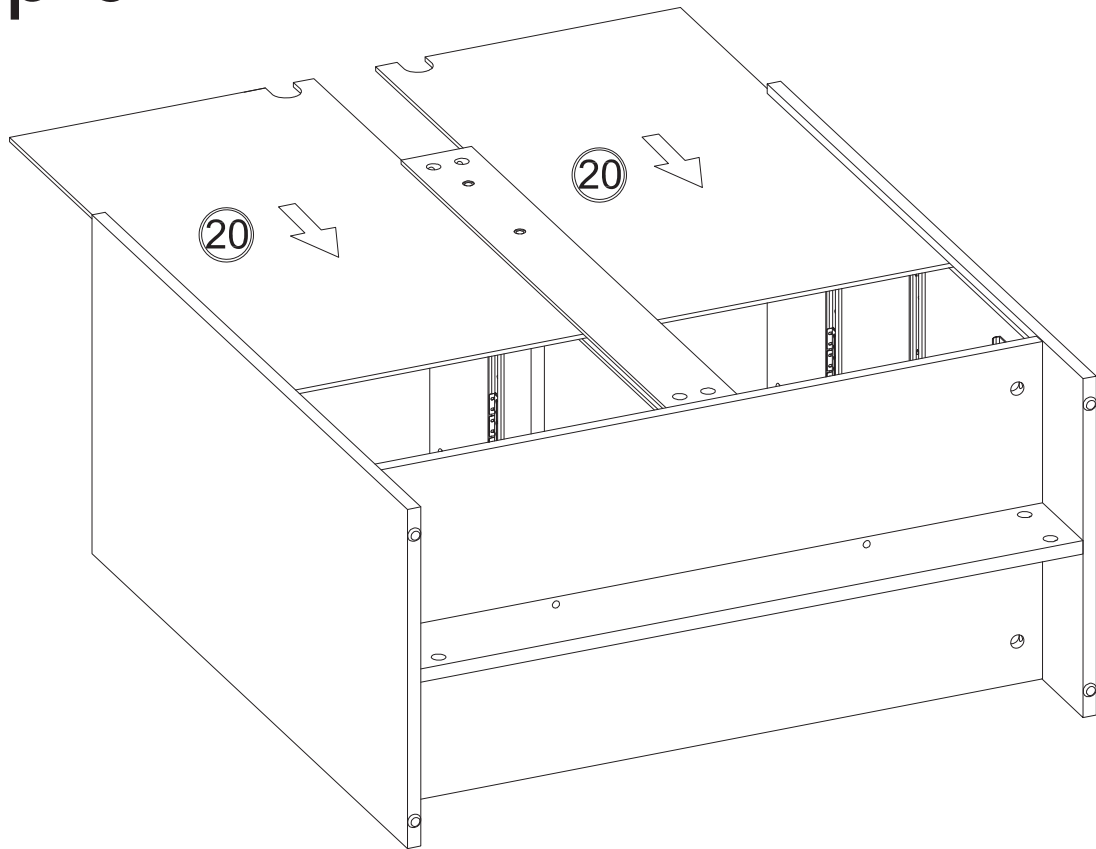
Step 4



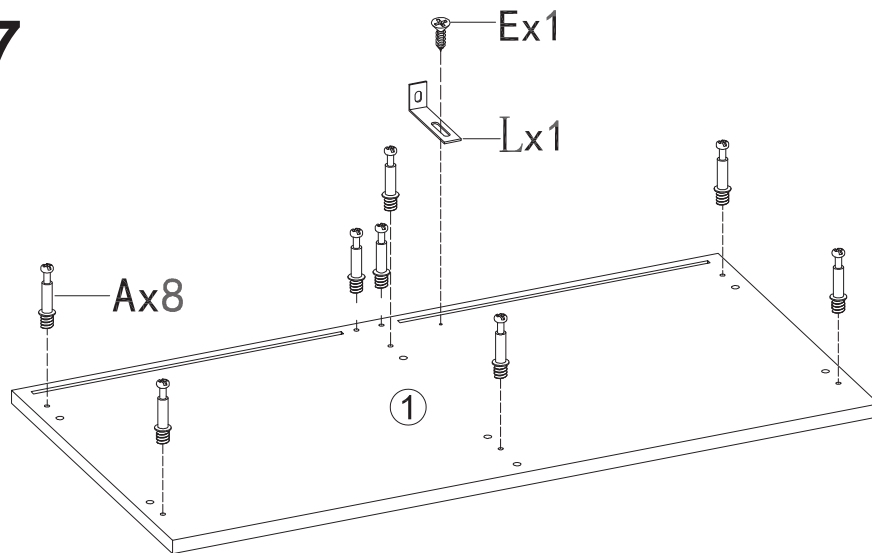
Step 5



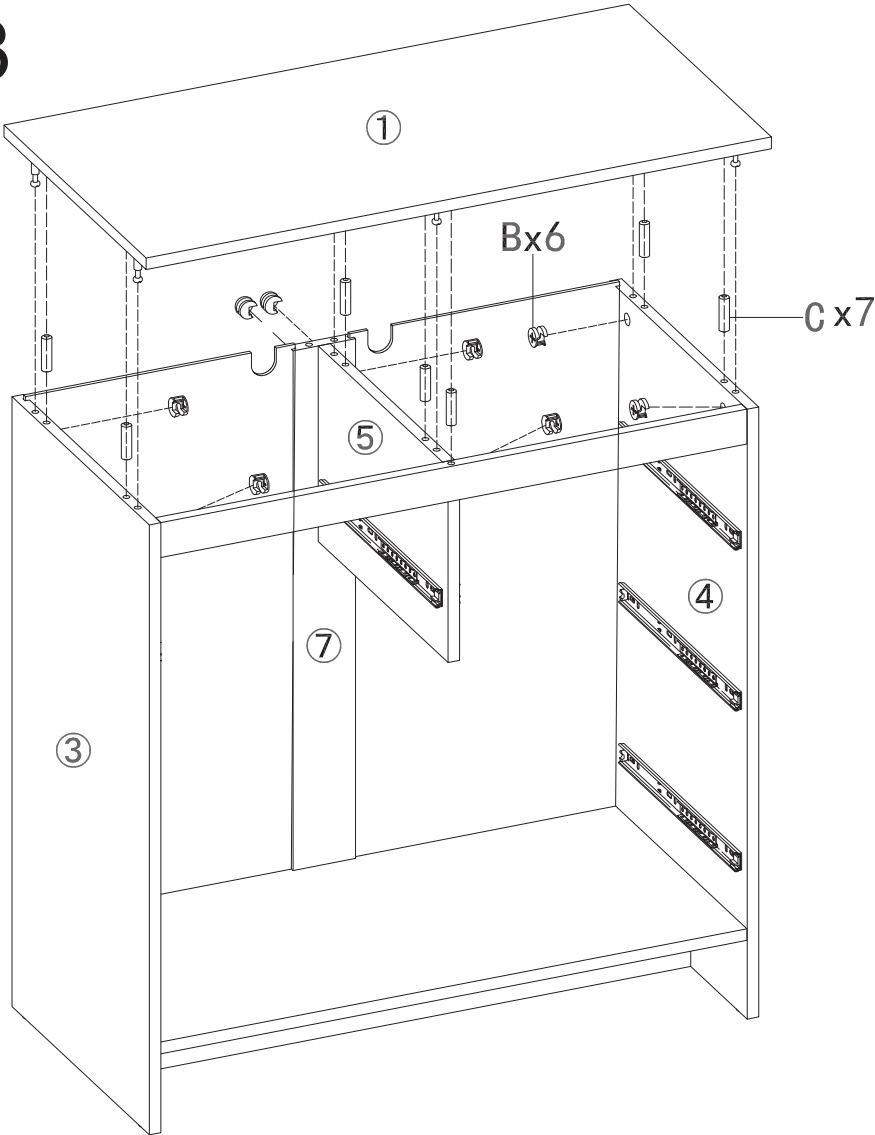
Step 6



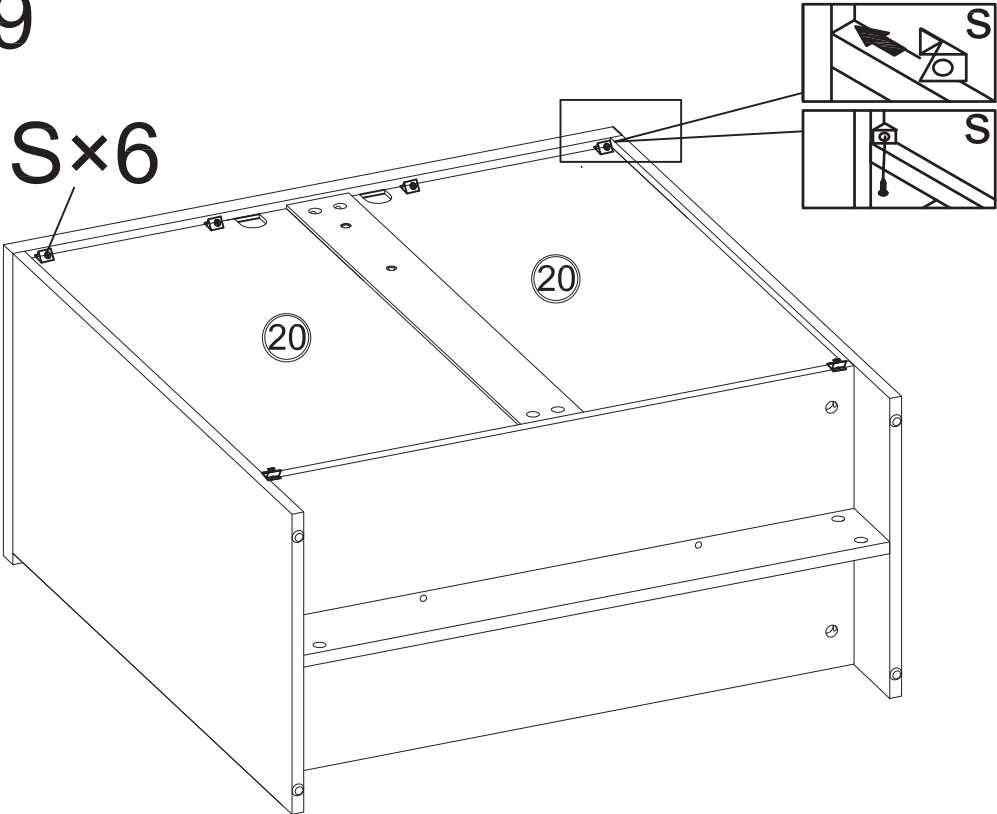
Step 7



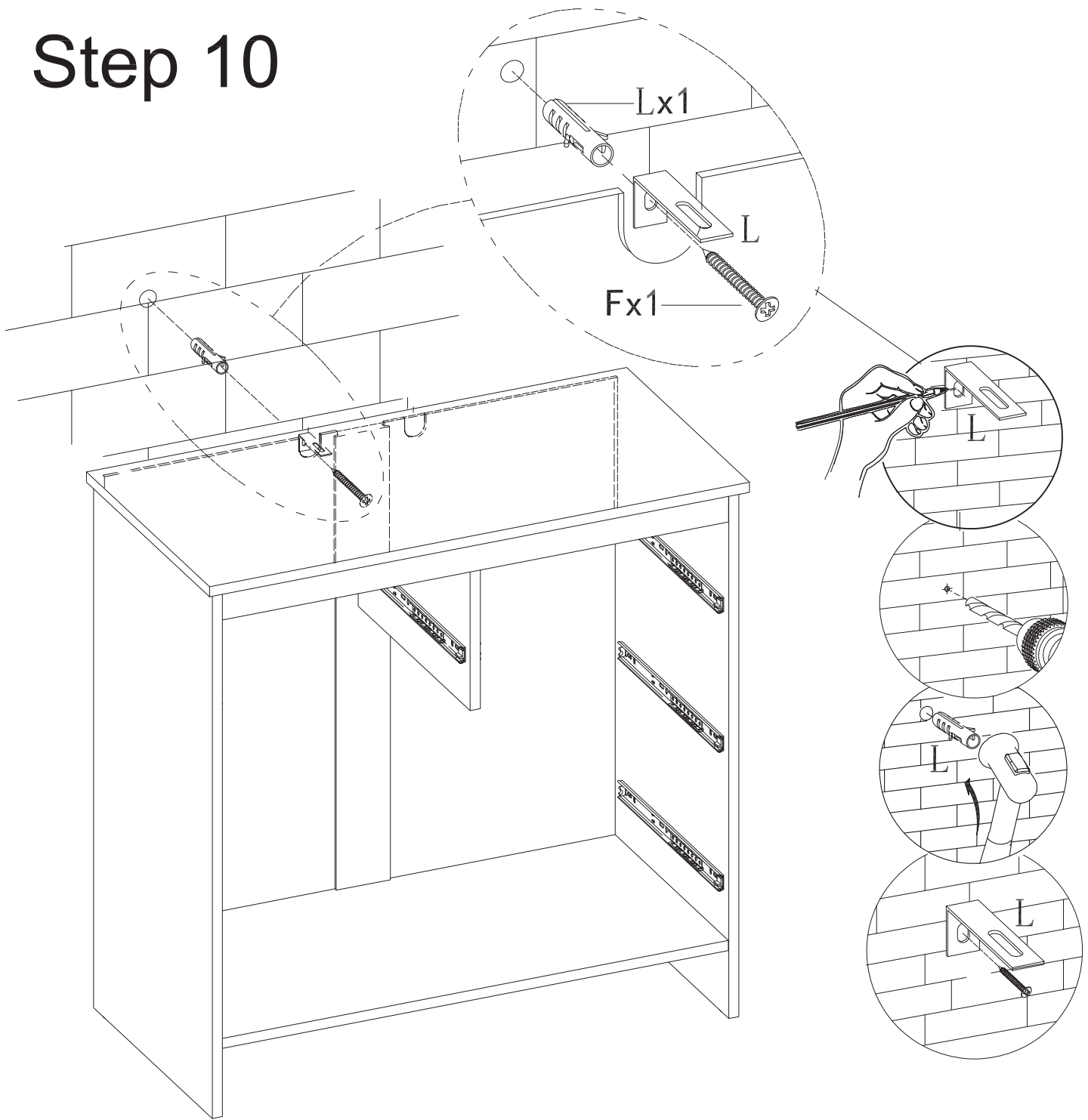
Step 8



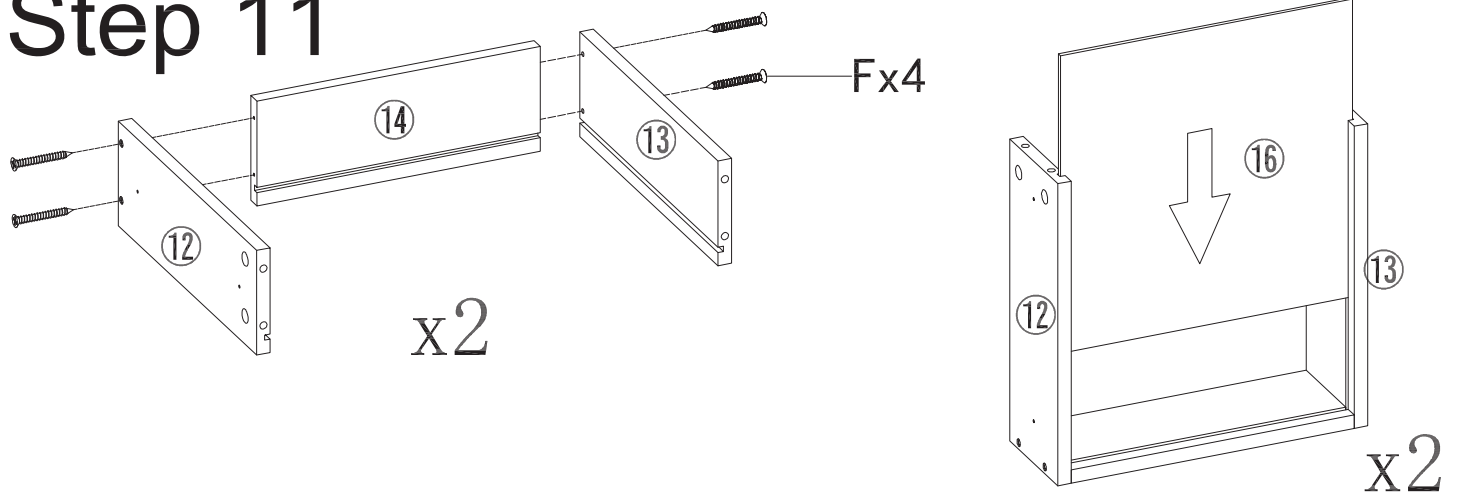
Step 9



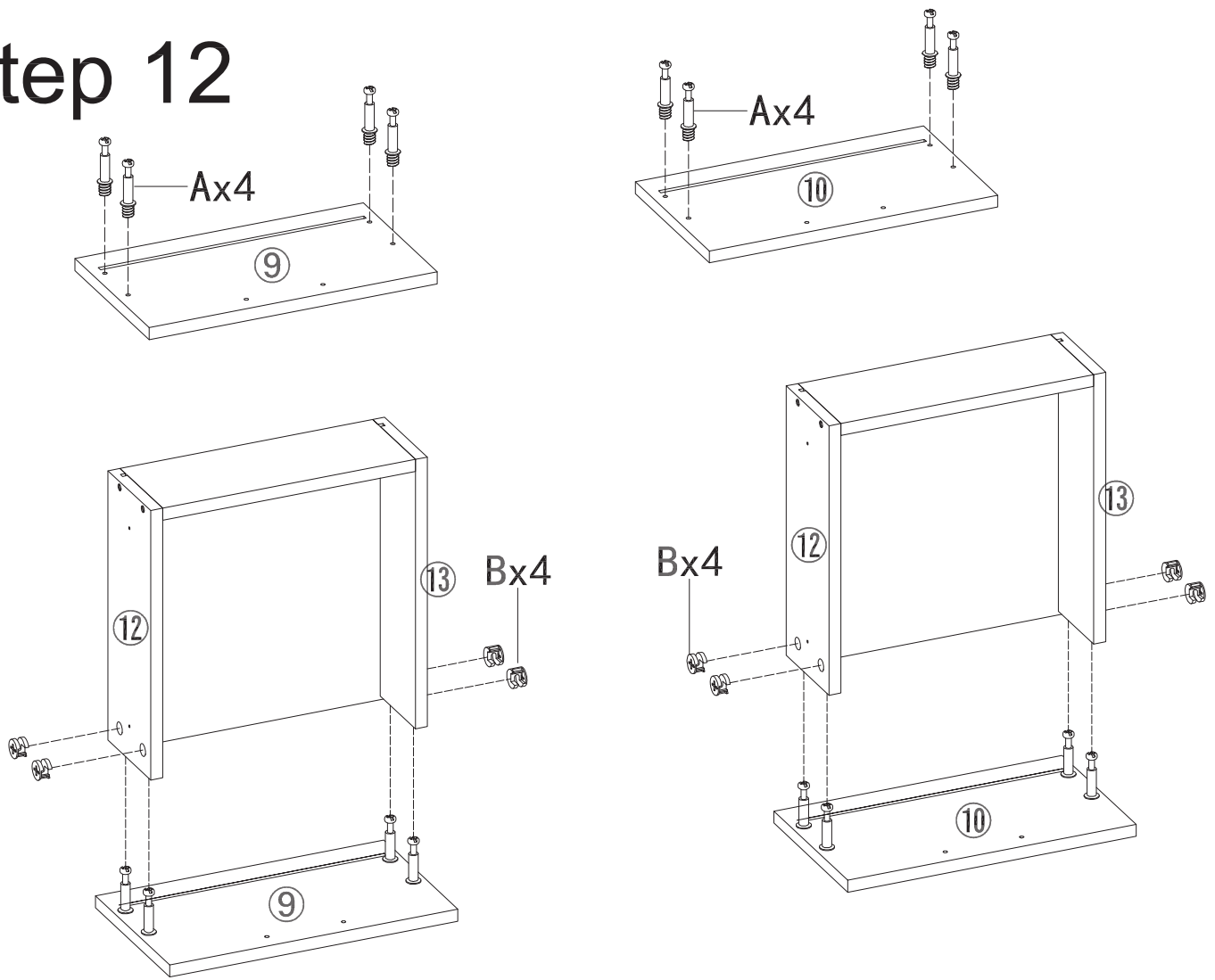
Step 10



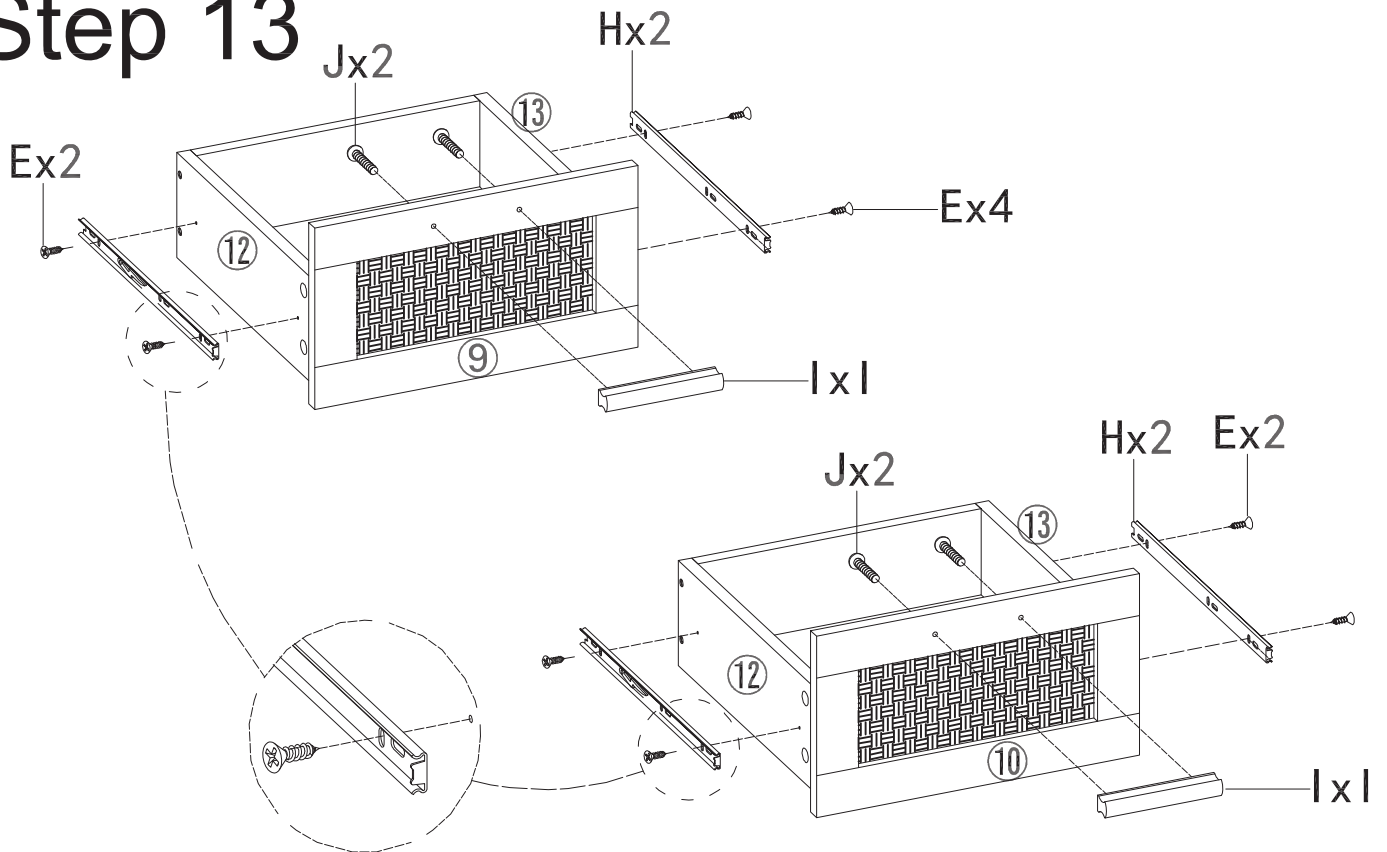
Step 11



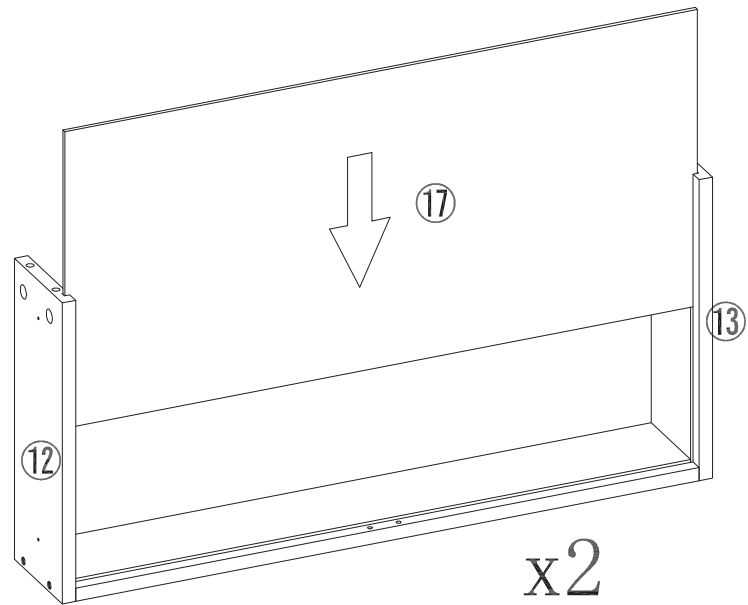
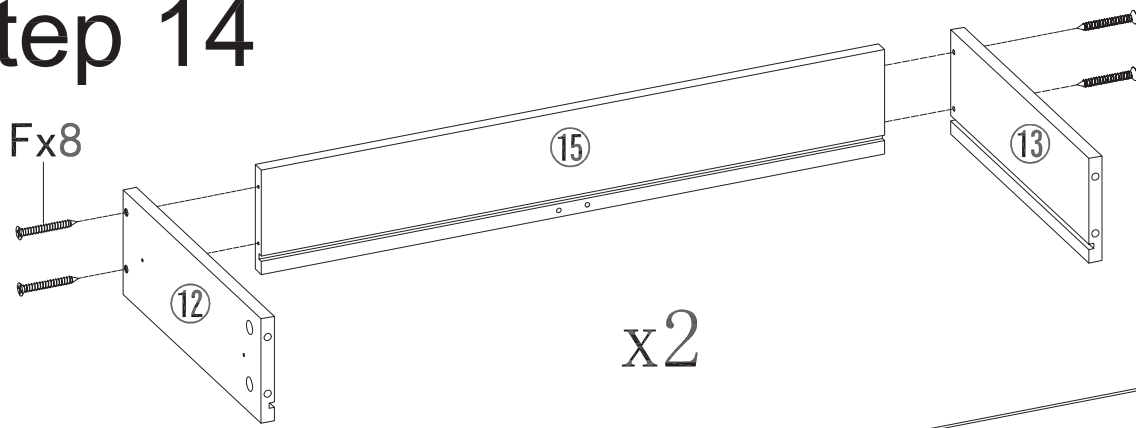
Step 12



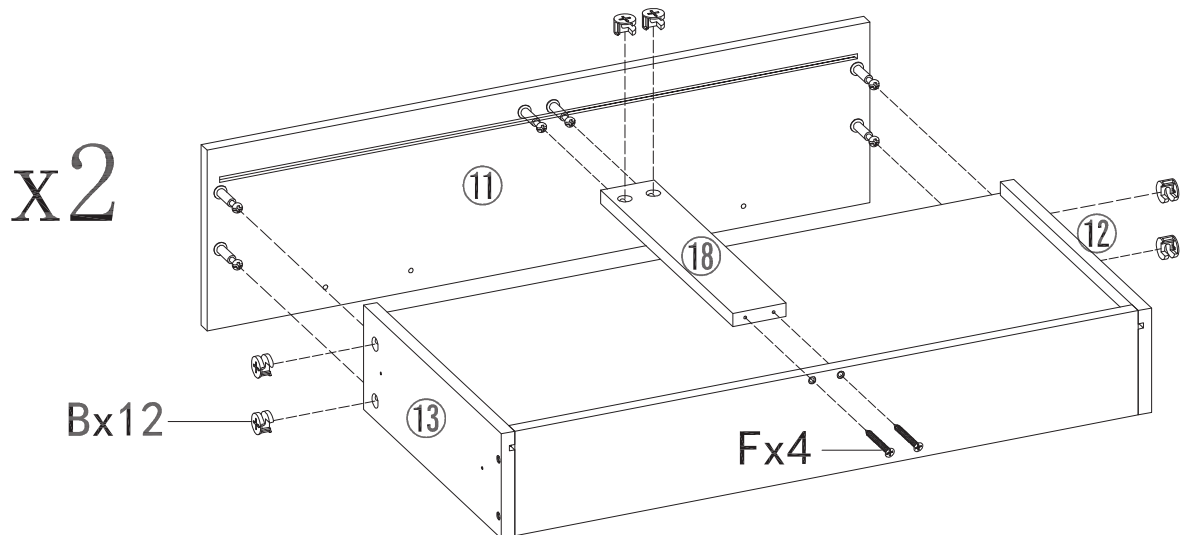
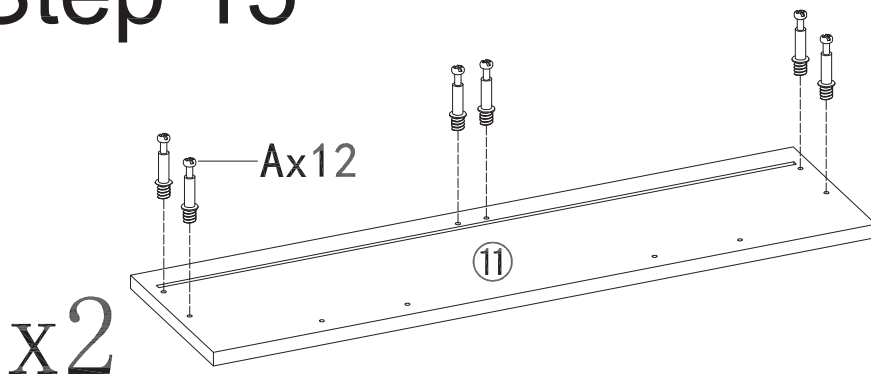
Step 13



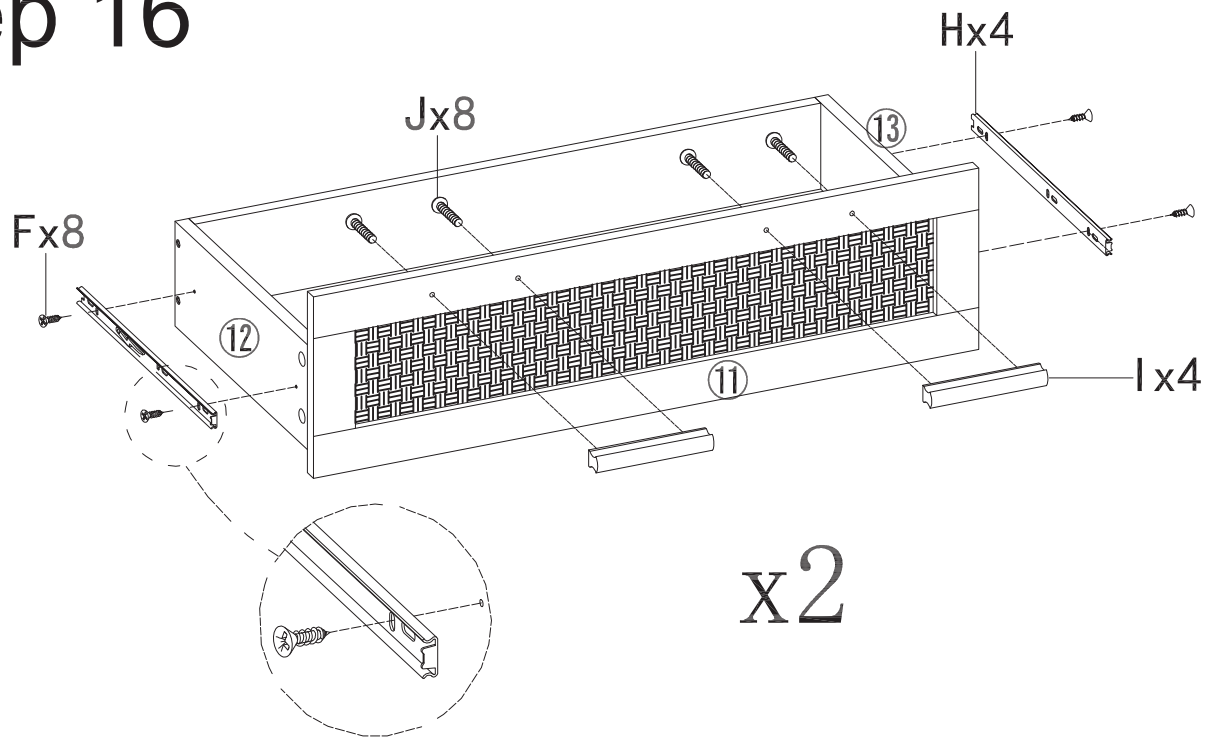
Step 14



Step 15



Step 16



Step 17

