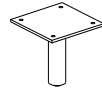
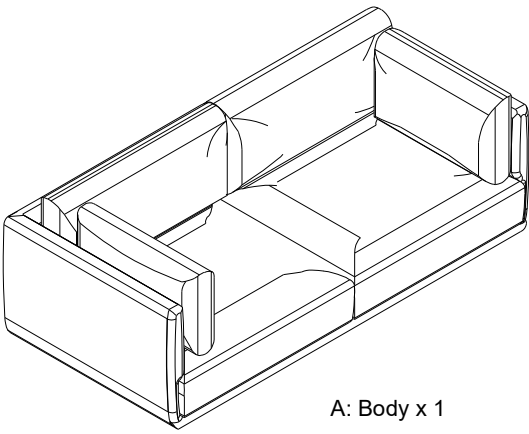


Product Assembly Instructions



C: Bolt M6x25mm x 20PCS



D: Spring washer x 20 PCS

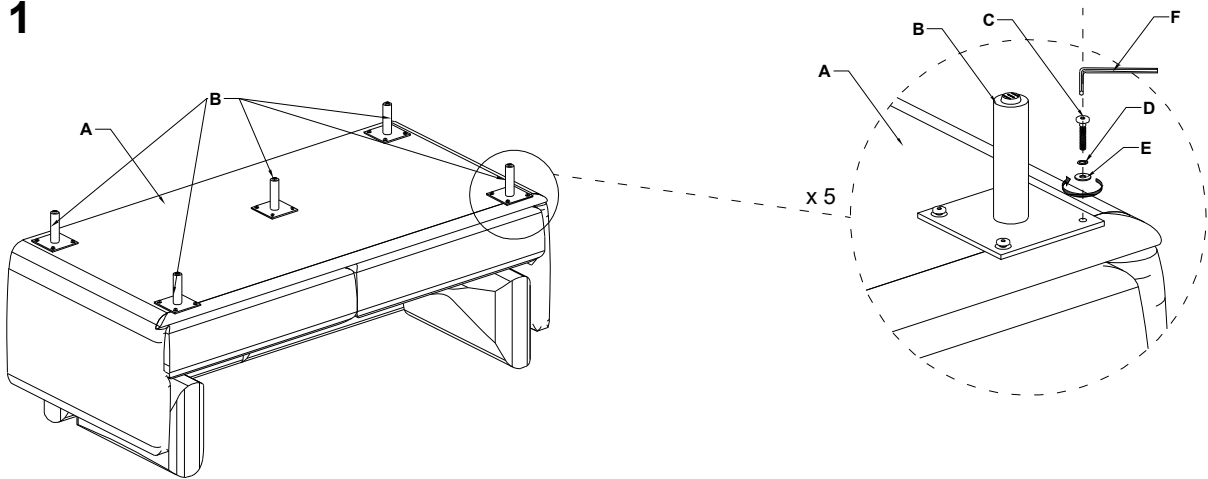


E: Washers M6 x 20PCS

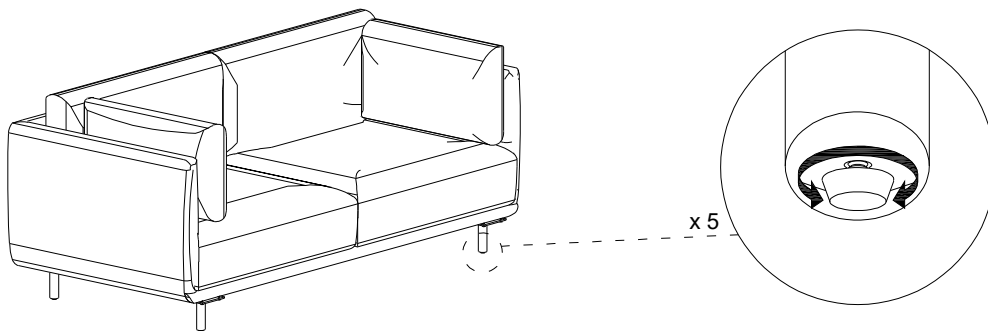


F: Allen key K4 x 1 PC

STEP 1



STEP 2



Finish

