

Pure & Easy

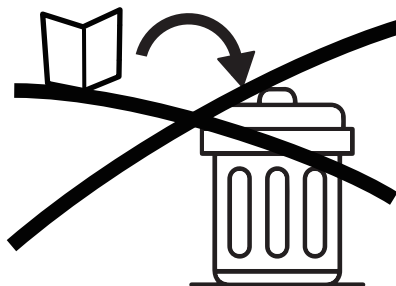
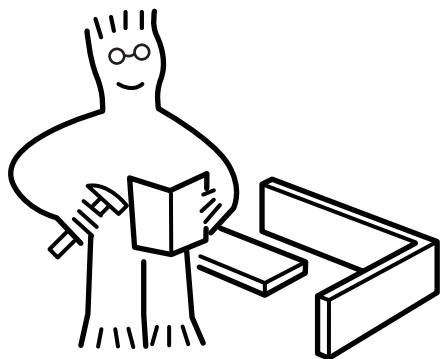
ASSEMBLY INSTRUCTIONS

FTPLSS-0085 FTPLSS-0086
FTPLSS-0087 FTPLSS-0088
FTPLSS-0089 FTPLSS-0090

LZRL-V1

NOTICE

IMPORTANT, RETAIN FOR FUTURE REFERENCE: READ CAREFULLY
WICHTIG, FÜR SPÄTERE NACHSCHLAGE AUFBEWAHREN: SORGFÄLTIG LESEN
IMPORTANTE, GUARDAR PARA REFERENCIA POSTERIOR: LEER ATENTAMENTE
IMPORTANTE, CONSERVARE PER RIFERIMENTI FUTURI: LEGGERE ATTENTAMENTE
IMPORTANT, À CONSERVER POUR RÉFÉRENCE FUTURE : LIRE ATTENTIVEMENT



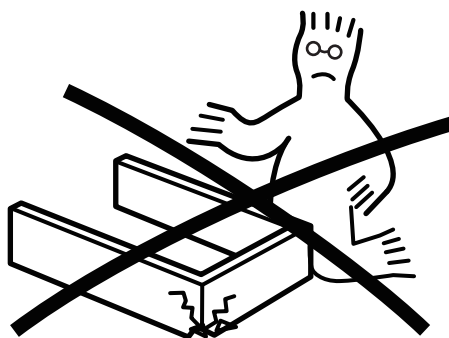
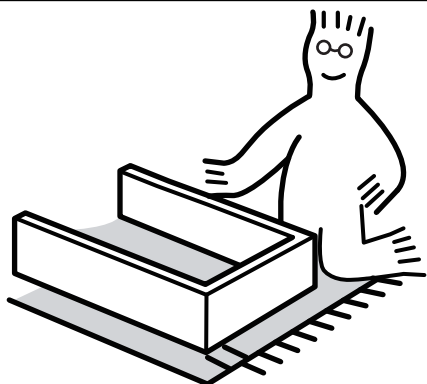
Assemble on a flat, clean and soft surface.

Auf einer flachen, sauberen und weichen Oberfläche zusammenbauen.

Assembler sur une surface plate, propre et douce.

Assemblare su una superficie piatta, pulita e morbida.

Ensamblar sobre una superficie plana, limpia y suave.



Professional installation is highly recommended.

Eine professionelle Installation wird dringend empfohlen.

Une installation professionnelle est fortement recommandée.

Si raccomanda vivamente l'installazione professionale.

Se recomienda altamente la instalación profesional.



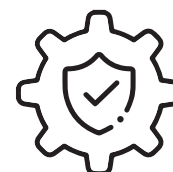
Periodically check that all components are tightly secured.

Überprüfen Sie Regelmäßig, Dass Alle Komponenten Fest Gesichert Sind.

Vérifiez Périodiquement Que Tous Les Composants Sont Bien Fixés.

Controllare Periodicamente Che Tutti I Componenti Siano Ben Fissati.

Verifique Periódicamente Que Todos Los Componentes Estén Bien Asegurados.



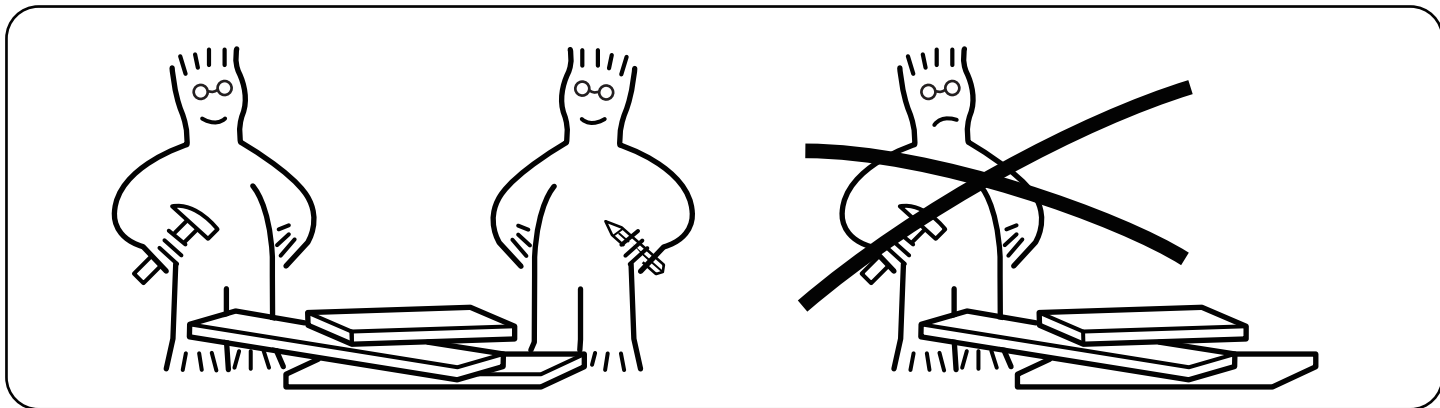
It is recommended that multiple people assemble this product.

Es wird empfohlen, dass mehrere Personen dieses Produkt zusammenbauen.

Il est recommandé que plusieurs personnes assemblent ce produit.

Si raccomanda che più persone assemblino questo prodotto.

Se recomienda que varias personas ensamblen este producto.



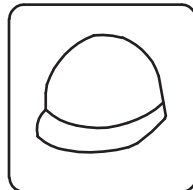
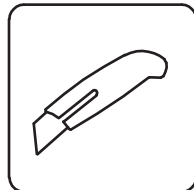
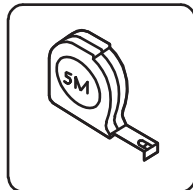
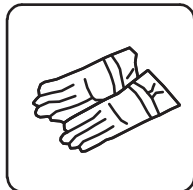
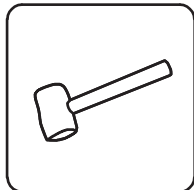
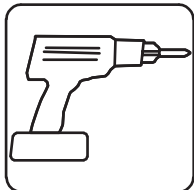
Please have the following auxiliary tools ready:

Bitte halten Sie folgende Hilfswerkzeuge bereit:

Veillez préparer les outils auxiliaires suivants :

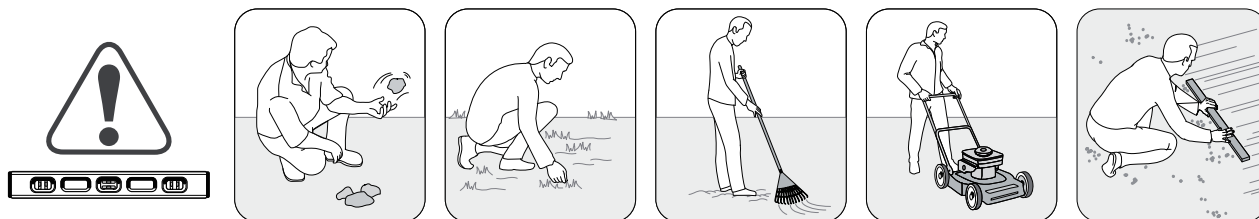
Si prega di avere pronti i seguenti strumenti ausiliari:

Por favor, tenga listas las siguientes herramientas auxiliares:

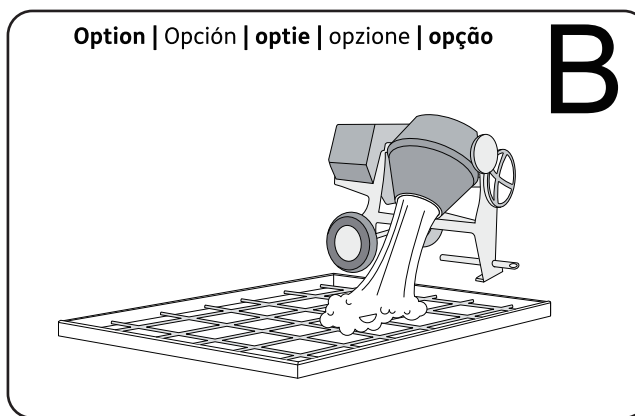
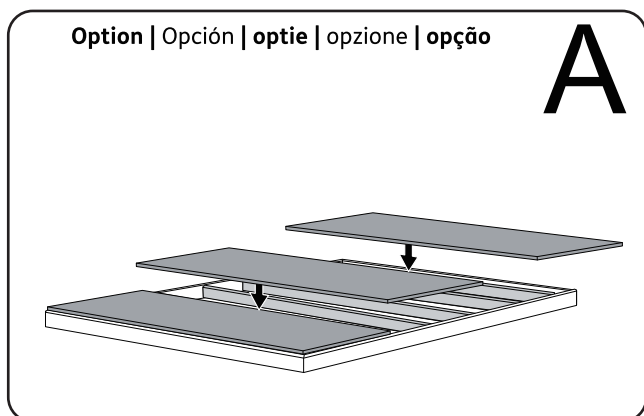


SITE PREPARATION | PRÉPARATION DU SITE | PREPARACIÓN DEL LUGAR | VORBEREITUNG DES AUFSTELLUNGORTES | VOORBEREIDING VAN HET TERREIN | PREPARAZIONE DEL LUOGO DI ASSEMBLAGGIO | PREPARAÇÃO DO LOCAL

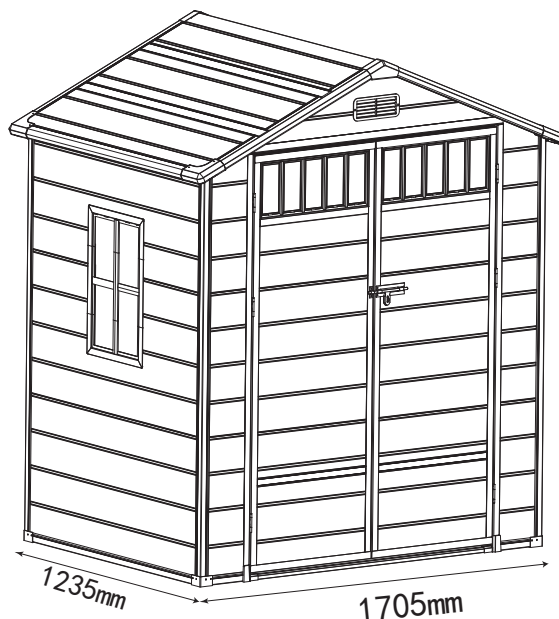
Level the ground surface | Nivelez la surface du sol | Nivele la superficie del suelo | Eben Sie die Bodenoberfläche | Maak de bodem vlak | Livellare la superficie del terreno | Nivele a superfície do solo



Recommendation: Construct a wooden or concrete base as a foundation | Recommandation: fabriquez une base en bois ou en béton en guise de fondation | Recomendación: construya una base de madera o de cemento a modo de cimiento | Empfehlung: Bauen Sie als Fundament eine Grundfläche aus Holz oder Beton | Aanbeveling: maak een houten of betonnen ondergrond als fundering | Raccomandazione: Costruire una base di legno o di cemento come fondamenta | Recomendação: Construa uma base de madeira ou de cimento como fundação



External floor measurements are: | Les mesures externes de la étage sont: | Las medidas del suelo externo son: | Die Außen-Bodenmaße betragen: | De afmetingen van de externe vloer zijn: | Le dimensioni esterne del pavimento sono: | As medidas externas do chão são:



BEFORE STARTING ASSEMBLY | AVANT DE COMMENCER LE MONTAGE | ANTES DE EMPEZAR EL ARMADO | VOR MONTAGEBEGINN | VOORDAT U BEGINT TE MONTEREN | PRIMA DI INIZIARE L'ASSEMBLAGGIO | ANTES DE INICIAR A MONTAGEM

Read the care and safety guidelines at the end of this manual | Check to ensure that there are no missing or damaged parts BEFORE starting or arranging assembly | Remove all parts from the package(s) and spread them out on a clean work surface | Review all assembly instructions | Assemble all the parts according to the directions in this manual. Do not skip any steps.

Lisez les instructions de précaution et de sécurité à la fin de ce manuel | Assurez-vous qu'il n'y a pas de pièces manquantes ou endommagées AVANT de commencer ou d'organiser l'assemblage | Retirez toutes les pièces du/des paquet(s) et étalez-les sur une surface de travail propre | Lisez toutes les instructions de montage | Assemblez toutes les pièces selon les instructions de ce manuel. Ne sautez aucune étape.

Lea las instrucciones de precauciones y seguridad que están al final de este manual | Asegúrese de que no faltan piezas ni están dañadas ANTES de comenzar o disponer el montaje | Saque todas las piezas del paquete o paquetes y póngalas sobre una superficie de trabajo limpia | Revise todas las instrucciones de montaje | Monte todas las piezas según las instrucciones de este manual. No se saltee ningún paso.

Lesen Sie die Sicherheitsrichtlinien am Ende des Benutzerhandbuchs durch | Prüfen Sie bitte VOR dem Zusammenbau, dass keine Teile beschädigt sind oder fehlen | Nehmen Sie alle Teile aus der Verpackung und breiten Sie sie auf einer sauberen Arbeitsfläche aus | Gehen Sie noch einmal die komplette Aufbauanleitung durch | Bauen Sie alle Teile entsprechend der Anleitung in diesem Handbuch zusammen. Lassen Sie dabei keinen Arbeitsschritt aus.

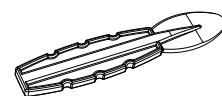
Lees de richtlijnen voor zorg en veiligheid achterin deze handleiding | Controleer dat er geen onderdelen mankeren, of beschadigd zijn, VOORDAT u met de montage begint | Haal alle onderdelen uit het pakket (of uit de pakketten) en leg ze open schoon werkoppervlak | Bekijk alle montagehandleidingen | Monteer alle onderdelen volgens de aanwijzingen van deze handleiding. Sla geen stappen over.

Leggere le linee guida di assistenza e sicurezza alla fine di questo manuale | Assicurarsi che non ci siano parti mancanti o danneggiate PRIMA di iniziare l'assemblaggio | Estrarre tutti i componenti dall'imballo e posizzarli su una superficie di lavoro pulita | Consultare tutte le istruzioni di montaggio | Assemblare tutti i componenti secondo le istruzioni contenute nel manuale. Non saltare nessuna fase.


Leia as diretrizes de cuidados e segurança que constam da parte final deste manual | Verifique para se assegurar de que não há peças em falta ou danificadas ANTES de começar a preparar a montagem | Retire todas as peças da embalagem e espalhe-as numa superfície de trabalho limpa | Reveja todas as instruções de montagem | Monte todas as peças de acordo com as instruções do manual. Não salte quaisquer passos.

SPATULA | SPATULE | ESPÁTULA | SPACHTEL | SPATEL | SPATOLA | ESPĀTULA

- Use spatula (part "SG8") for easier insertion of panel into profile.
- Utilisez la spatule (partie "SG8") pour une meilleure insertion du panneau dans le profil.
- Utilice una espátula (pieza "SG8") para una mejor inserción del panel en el perfil.
- Benutzen Sie den Spachtel (Bezeichnung "SG8"), um die Platten leichter in die Nut einführen zu können.
- Gebruik spatel (onderdeel SG8) voor het gemakkelijk invoeren van het paneel in het profiel.
- Utilizzare la spatola (parte SG8) per inserire il pannello più facilmente nel profilo.
- Utilize uma espátula (peça "SG8") para facilitar a inserção do painel no perfil.

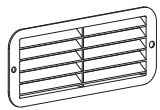
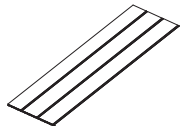
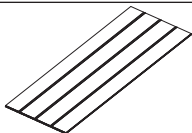
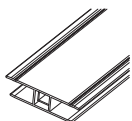
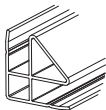
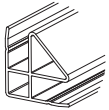

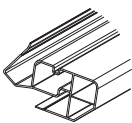
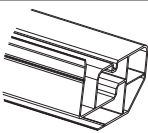
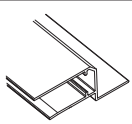
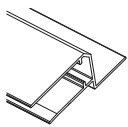
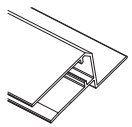
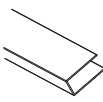
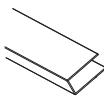
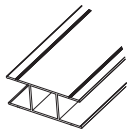
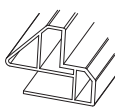
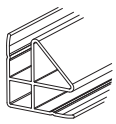
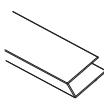
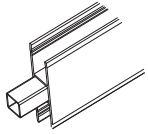
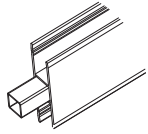
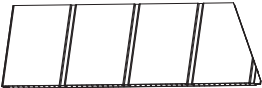
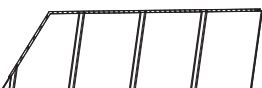
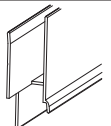
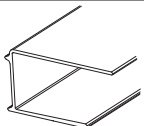



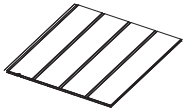
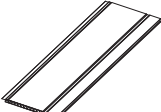

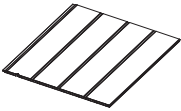
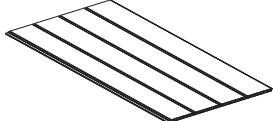
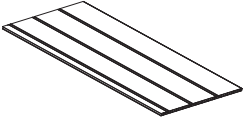
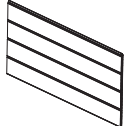
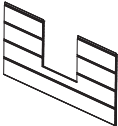
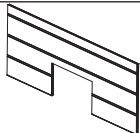
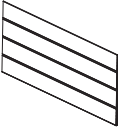
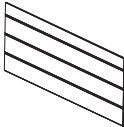
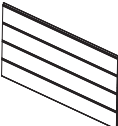

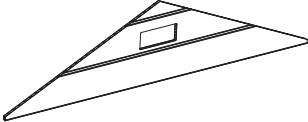
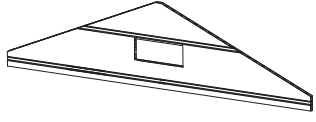
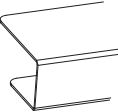
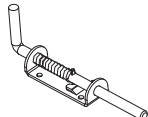

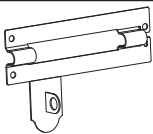
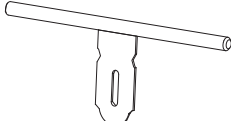

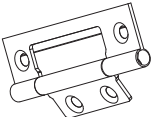
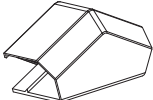
SG8 x2

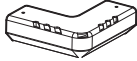
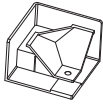
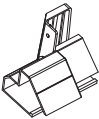
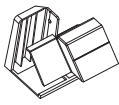
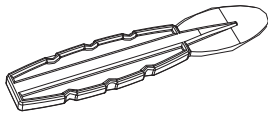

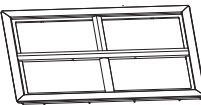
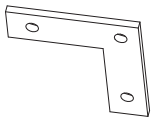
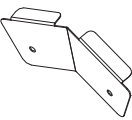
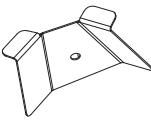
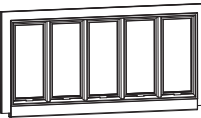
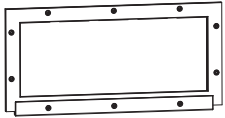

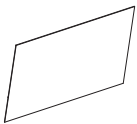
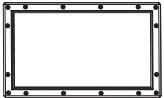





- Use spatula  (part "SG8") for easier insertion of panel into profile
- Please ensure the panels are all installed on position before screwing
- Please be mindful of the screw size used during installation; using screws that are too long may damage the shed.



PARTS

Item no. Nr. N° d'article Articolo No. Artículo No.	Reference Image Referenzbild Image de référence Immagine di riferimento Imagen de referencia	Qty. Menge Qté. Qtà Cant.	Item no. Nr. N° d'article Articolo No. Artículo No.	Reference Image Referenzbild Image de référence Immagine di riferimento Imagen de referencia	Qty. Menge Qté. Qtà Cant.
BY		X2	C40		X4
C41		X1	C42		X4
CP1		X1	CP2		X2
CP5		X4	CP6		X2
CP7		X4	CP8		X1
CP9		X1	CP10		X1
CP11		X1	CP12		X1
CP13		X2	CP14		X1
CP15		X2	CP16		X1
CPA1		X1	CPA2		X1
CW4L		X1	CW4R		X1
CA3-1		X1	CA4-1		X2

Item no. Nr. N° d'article Articolo No. Artículo No.	Reference Image Referenzbild Image de référence Immagine di riferimento Imagen de referencia	Qty. Menge Qté. Qtà Cant.	Item no. Nr. N° d'article Articolo No. Artículo No.	Reference Image Referenzbild Image de référence Immagine di riferimento Imagen de referencia	Qty. Menge Qté. Qtà Cant.
CD2-1		X2	CD2-2		X1
CD2-3		X2	CD2-4		X2
CD2-5		X1	CF1-1		X2
CF1-2		X1	CW1-1		X3
CW1-2		X1	CW1-3		X1
CW1-4		X1	CW2-1		X4
CW2-2		X2	CW3-4		X4
CW4-1		X1	CW4-4		X1
CS1-1		X2	DC		X2
Drill		X1	M03-6L		X1
M03-7		X1	M04		X1
M05		X6	SG1		X2

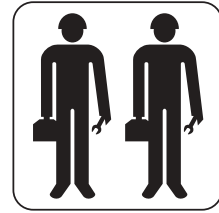
Item no. Nr. N° d'article Articolo No. Artículo No.	Reference Image Referenzbild Image de référence Immagine di riferimento Imagen de referencia	Qty. Menge Qté. Qtà Cant.	Item no. Nr. N° d'article Articolo No. Artículo No.	Reference Image Referenzbild Image de référence Immagine di riferimento Imagen de referencia	Qty. Menge Qté. Qtà Cant.
SG2		X4	SG6		X4
SG7-1		X1	SG7-2		X1
SG8		X2	SG9		X1
SG10		X1	SG12		X2
SG13		X2	SG14		X4
SG38-1		X2	SG38-2		X2
SG38-3		X2	SG101		X1
SG102		X1	Z310	 ST3 X 10mm	X24
Z410	 ST4 X 10mm	X68	Z420	 ST4 X 20mm	X98
Z425	 ST4 X 25mm	X4	ZW413	 ST4 X 13mm	X30

ASSEMBLY

FLOOR ASSEMBLY

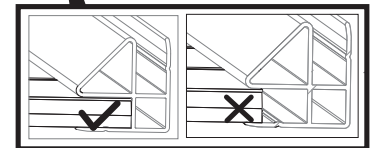
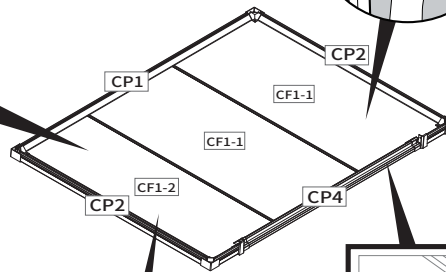
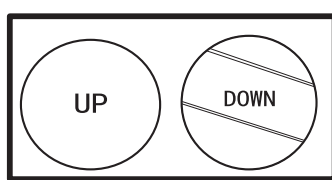


SG8

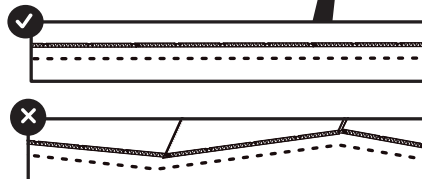


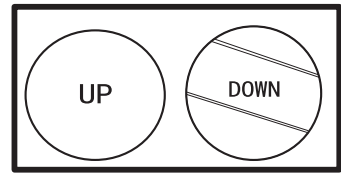
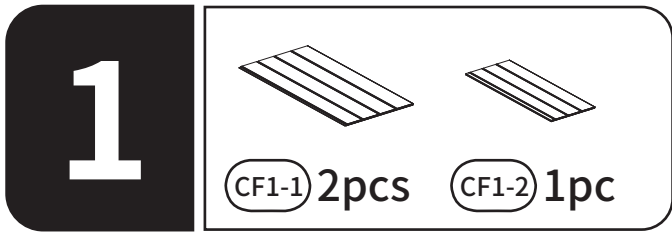
● Use spatula (part "SG8") for easier insertion of panel into profile

Note: The crease line of the floor must be underneath

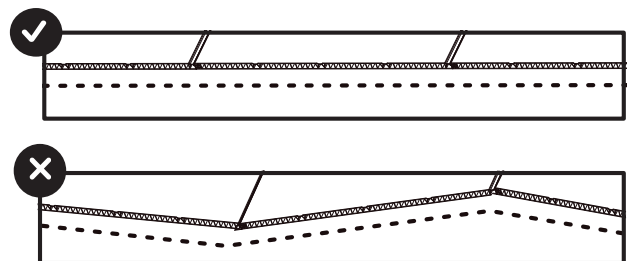
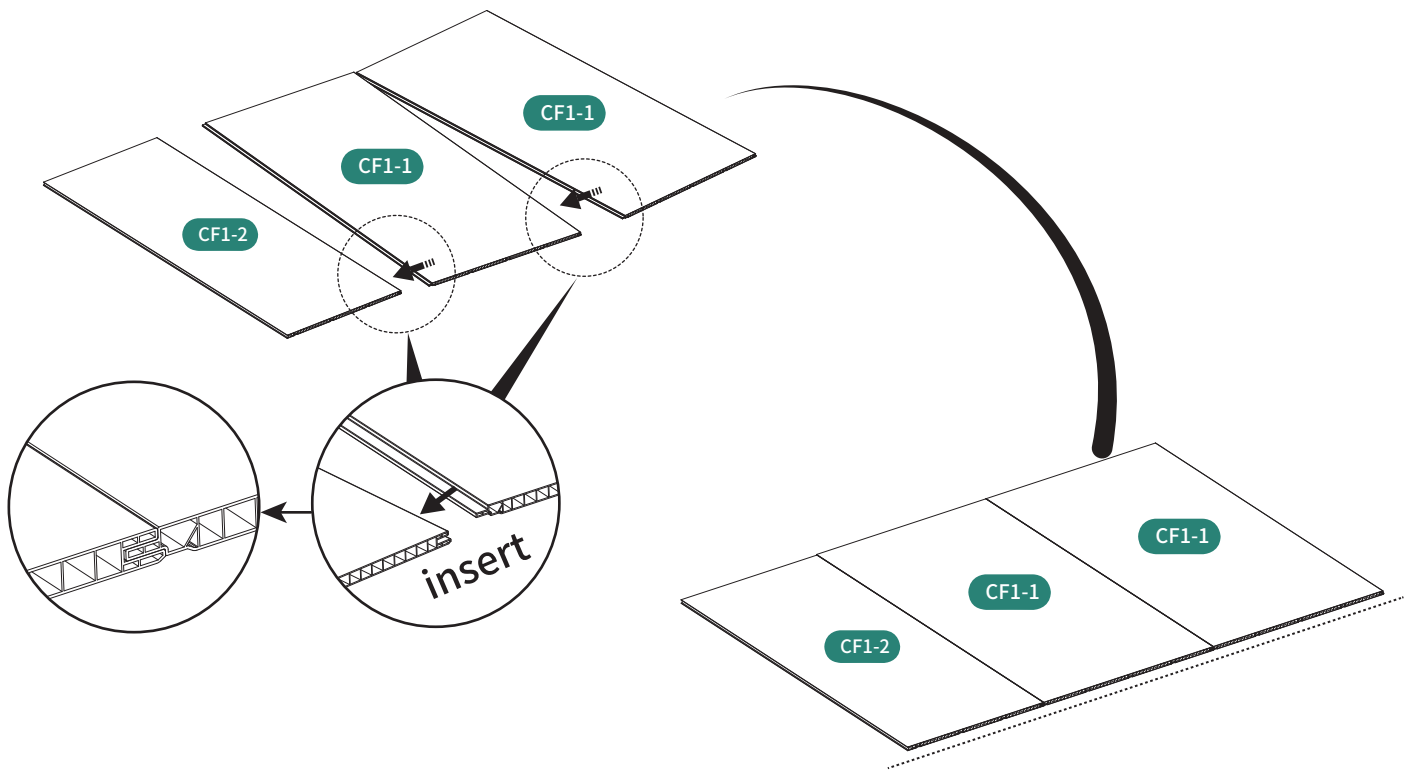


● Fully fit the panel inside the profile

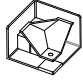
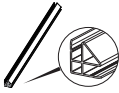





Note: The crease line of the floor must be underneath



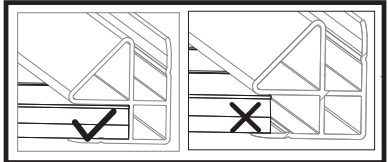
2

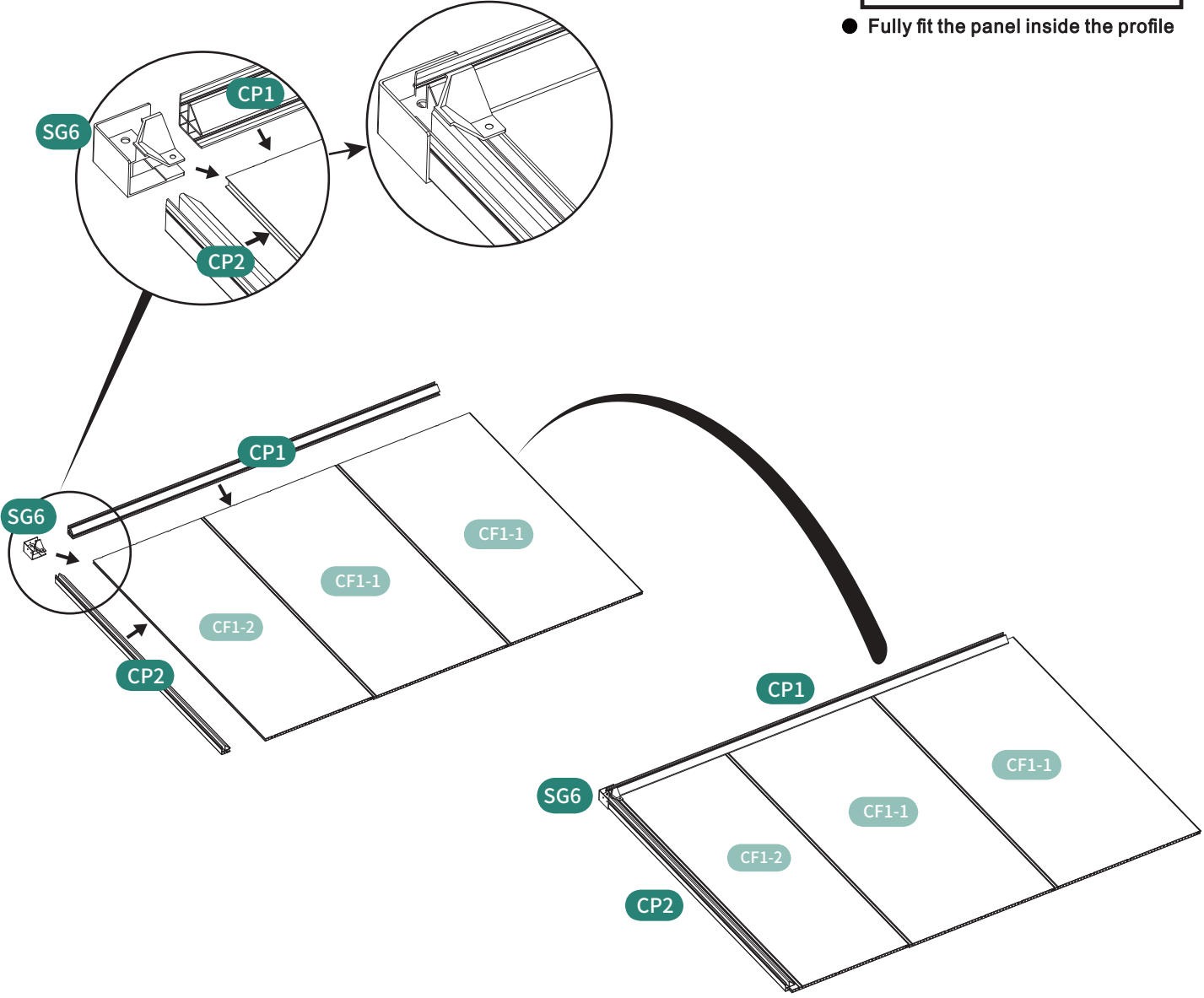
SG6 1pc
CP1 1pc
CP2 1pc




SG8



● Fully fit the panel inside the profile



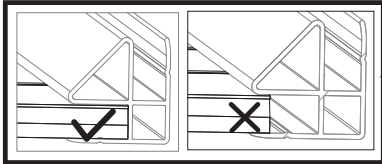
3



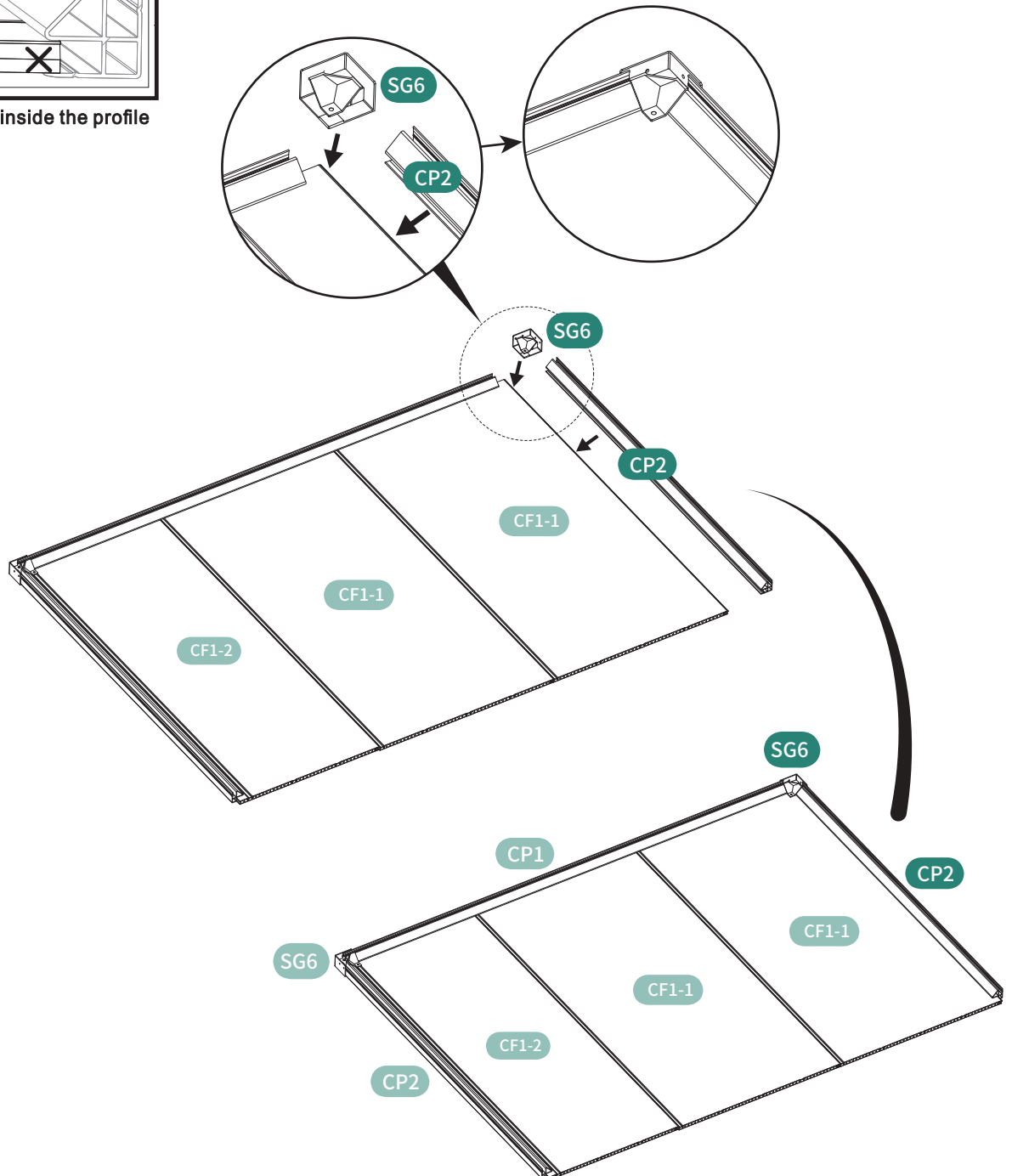
SG6 1pc



CP2 1pc



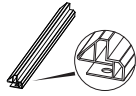
● Fully fit the panel inside the profile



4



SG6 2pcs



CP14 1pc



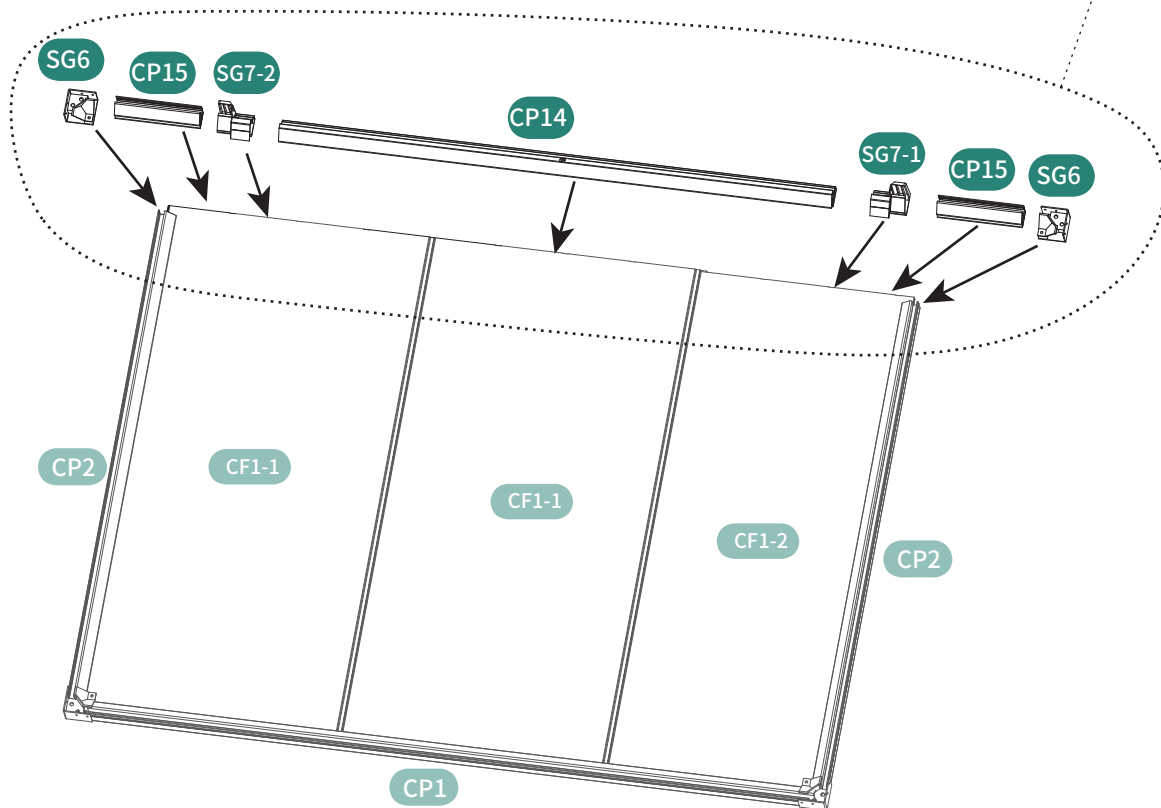
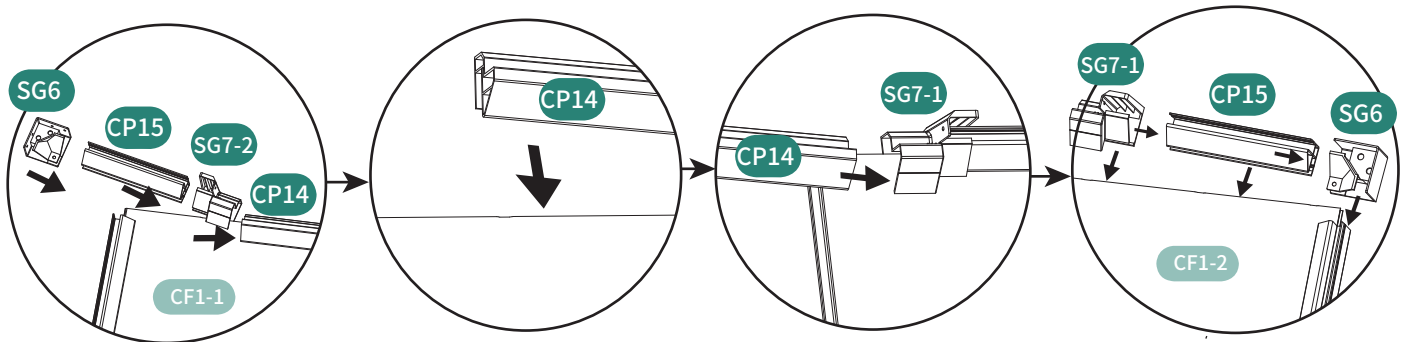
CP15 2pcs



SG7-1 1pc



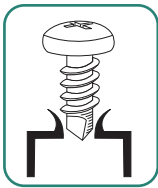
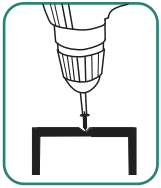
SG7-2 1pc




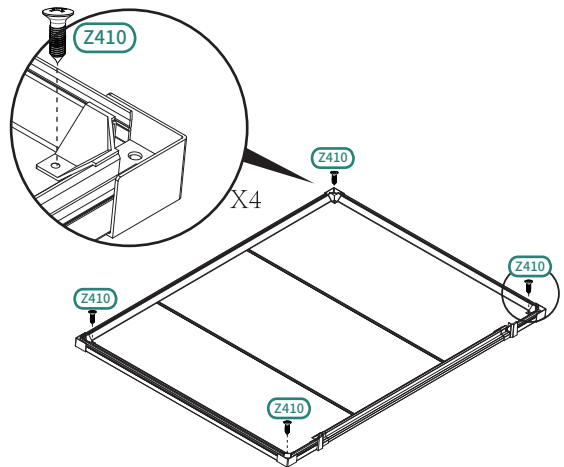
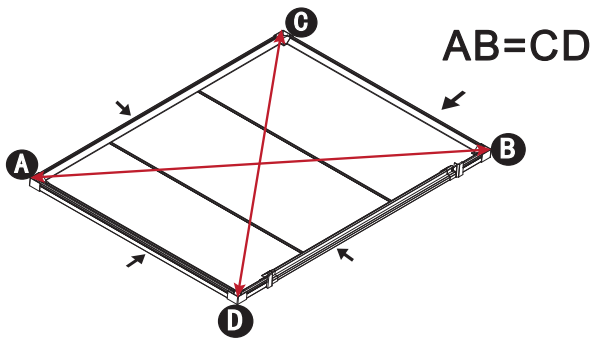
5

ST4 X 10mm

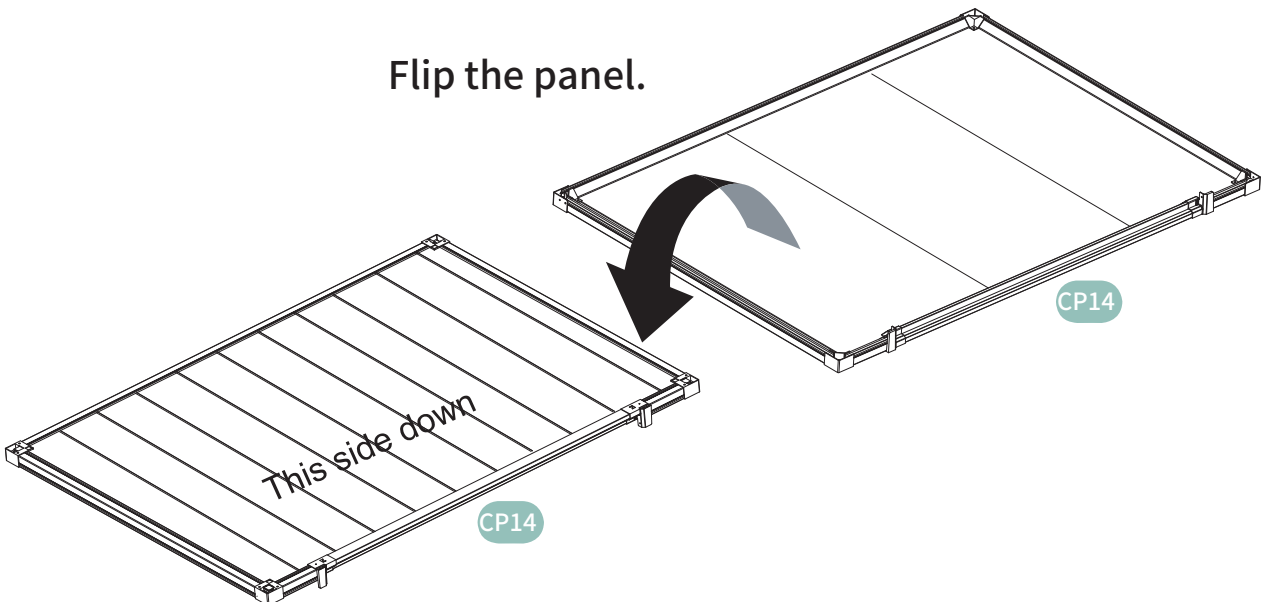
Z410 4pcs



Please use Drill  to predrill a hole at depth 1mm before screw.



Flip the panel.

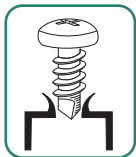
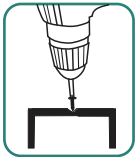


6

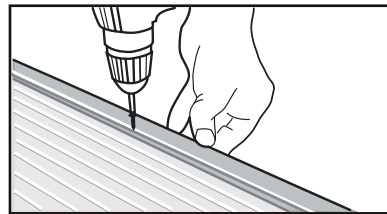
ST4 X 20mm



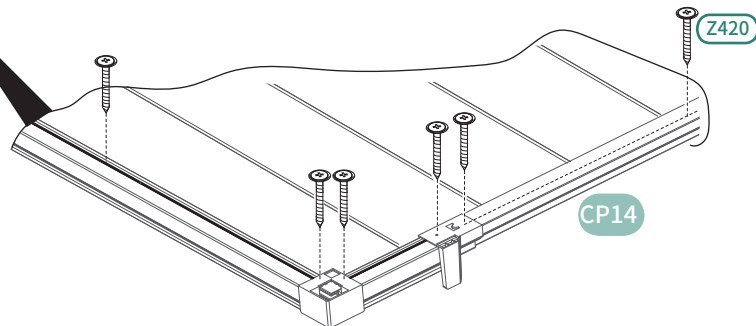
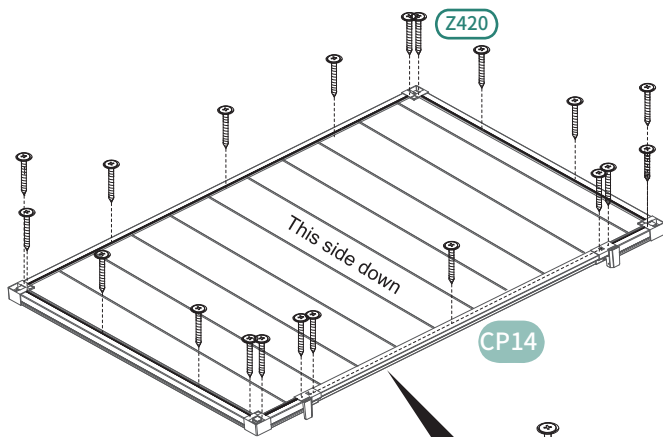
(Z420) 20pcs



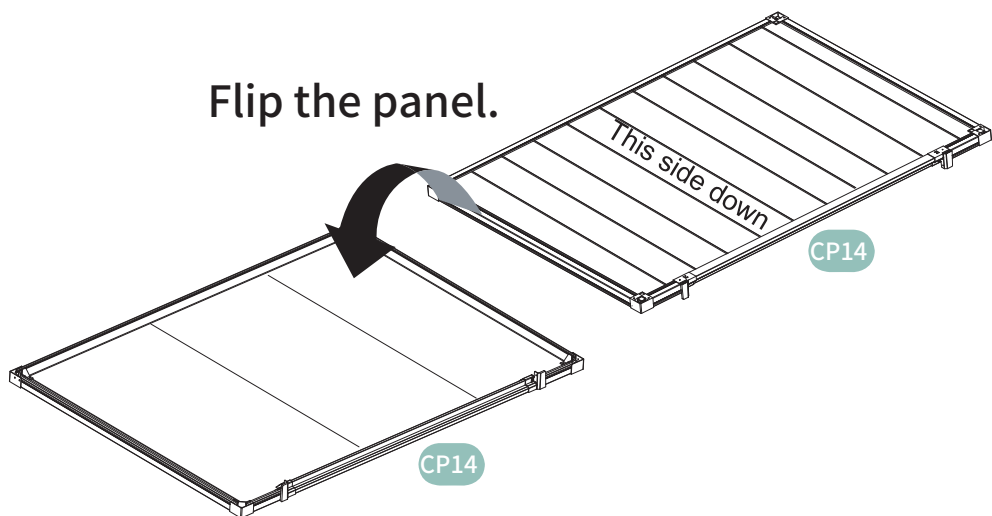
Please use Drill to predrill a hole at depth 1mm before screw.



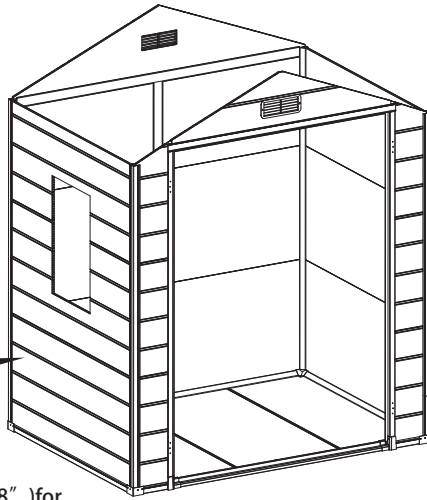
Screw along the marked lines in profile



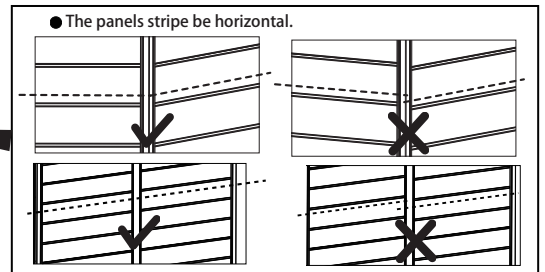
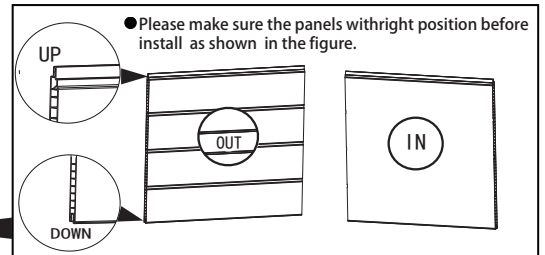
Flip the panel.



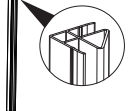
WALL ASSEMBLY



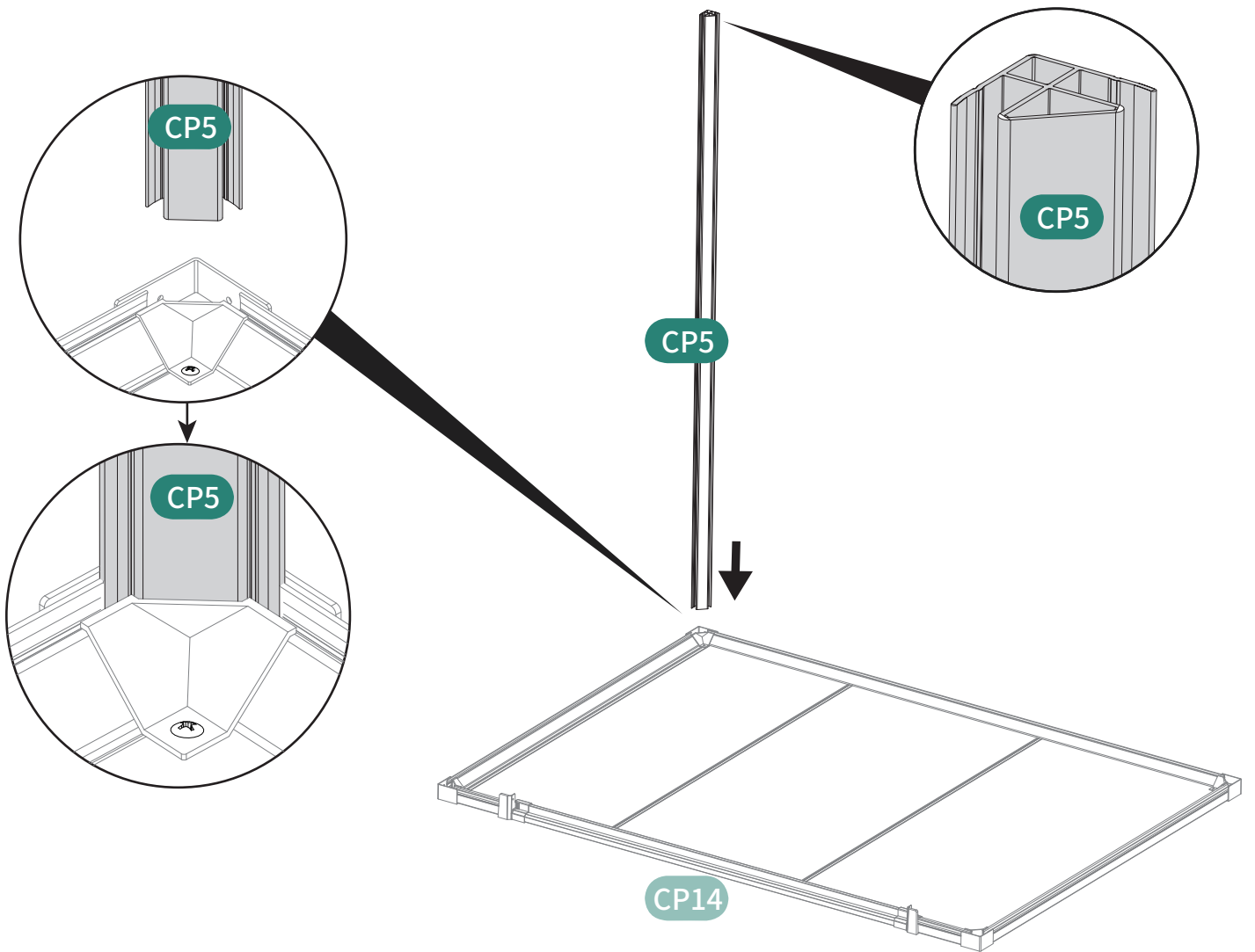
● Use spatula  (part "SG8") for easier insertion of panel into profile.



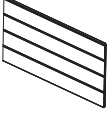
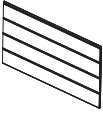
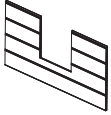
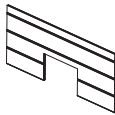
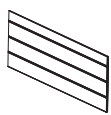
7

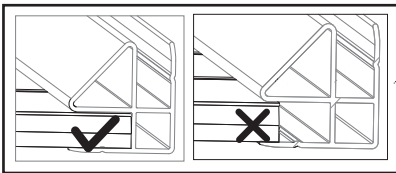


CP5 1pc

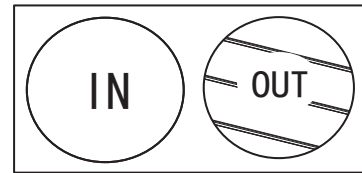


8

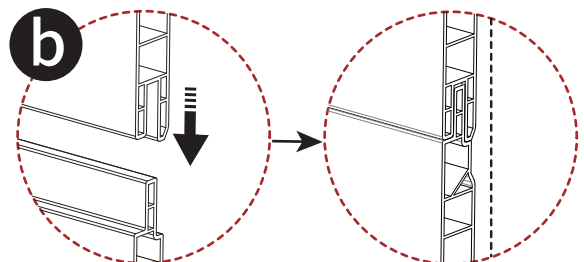
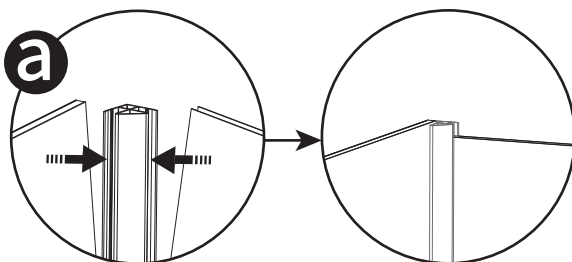
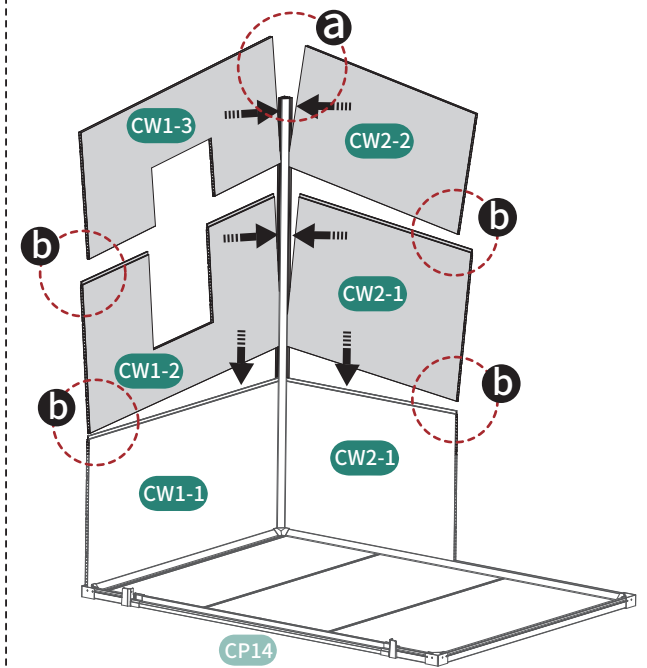
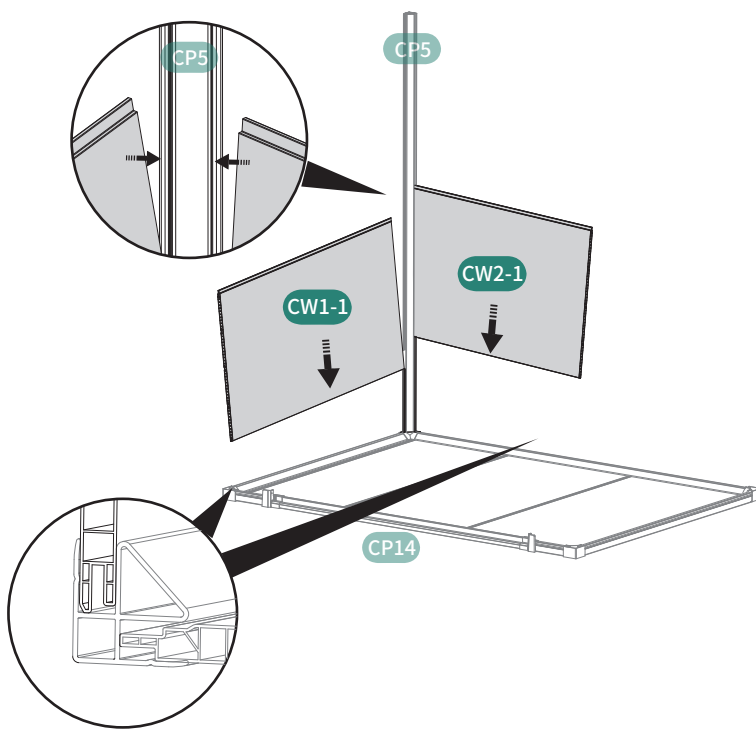
- 
CW2-1 2pcs
- 
CW1-1 1pc
- 
CW1-2 1pc
- 
CW1-3 1pc
- 
CW2-2 1pc



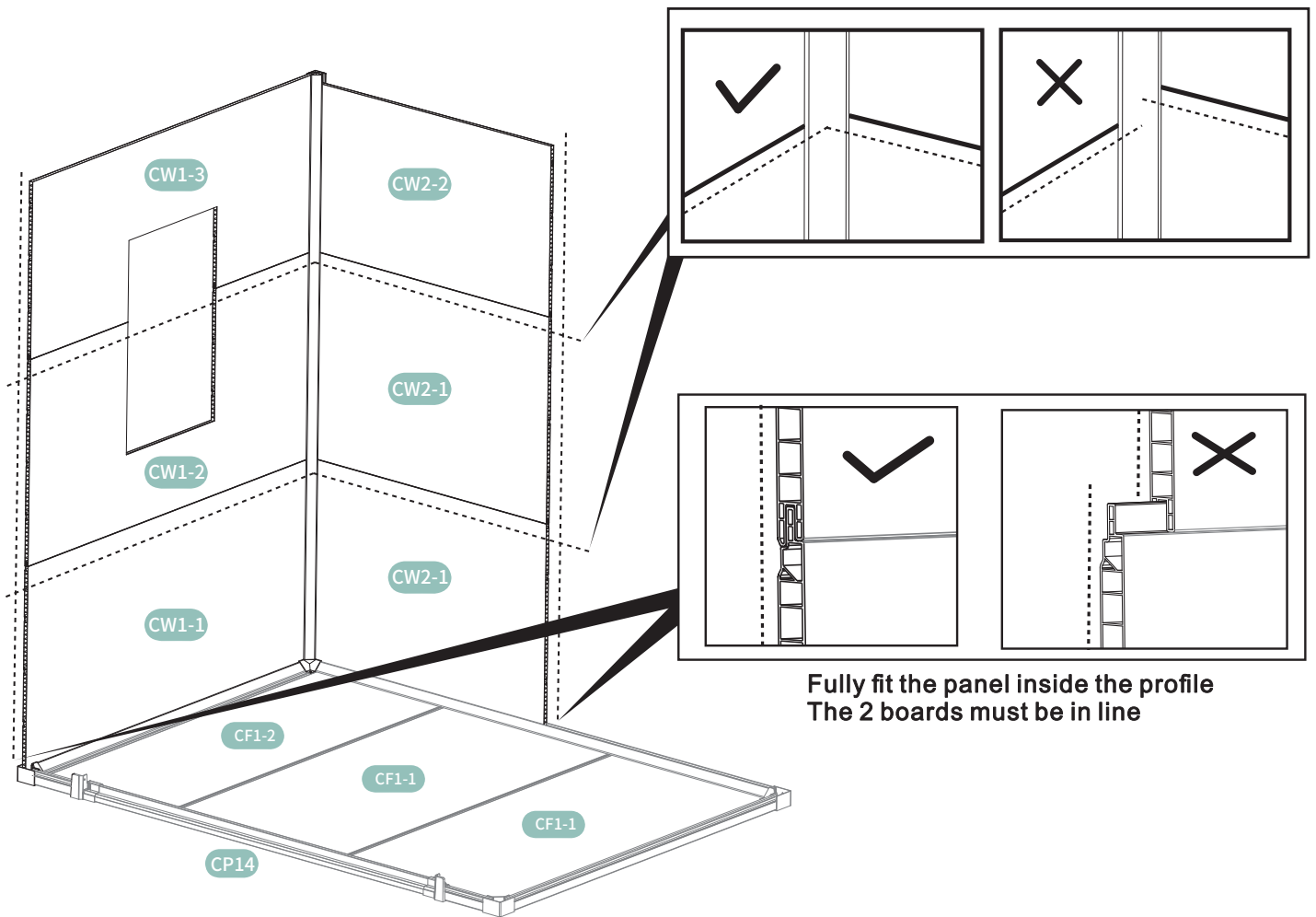
● Fully fit the panel inside the profile



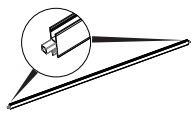
● The striped surface is outside.



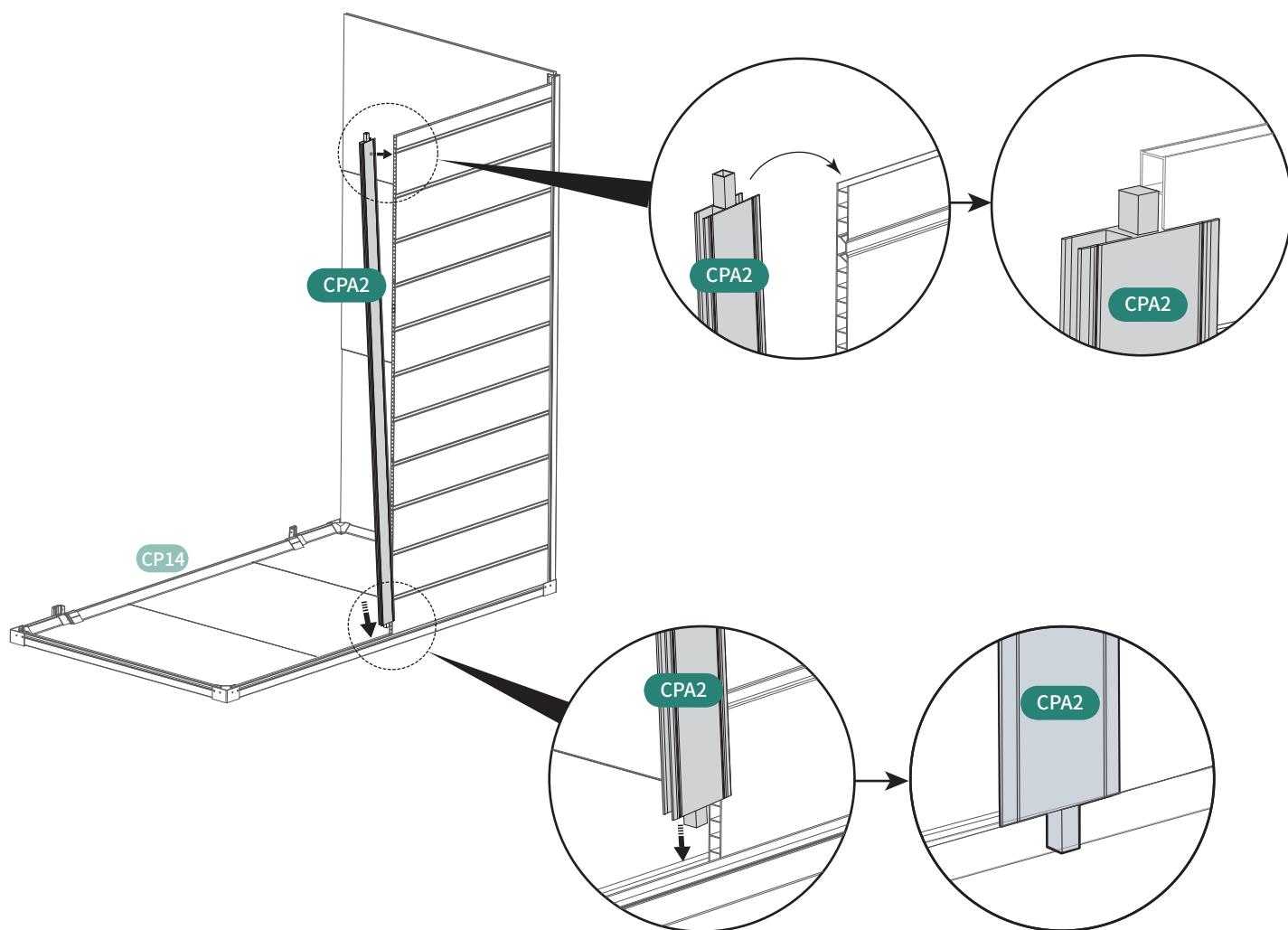
9




10



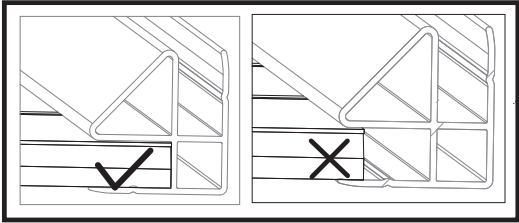
CPA2 1pc



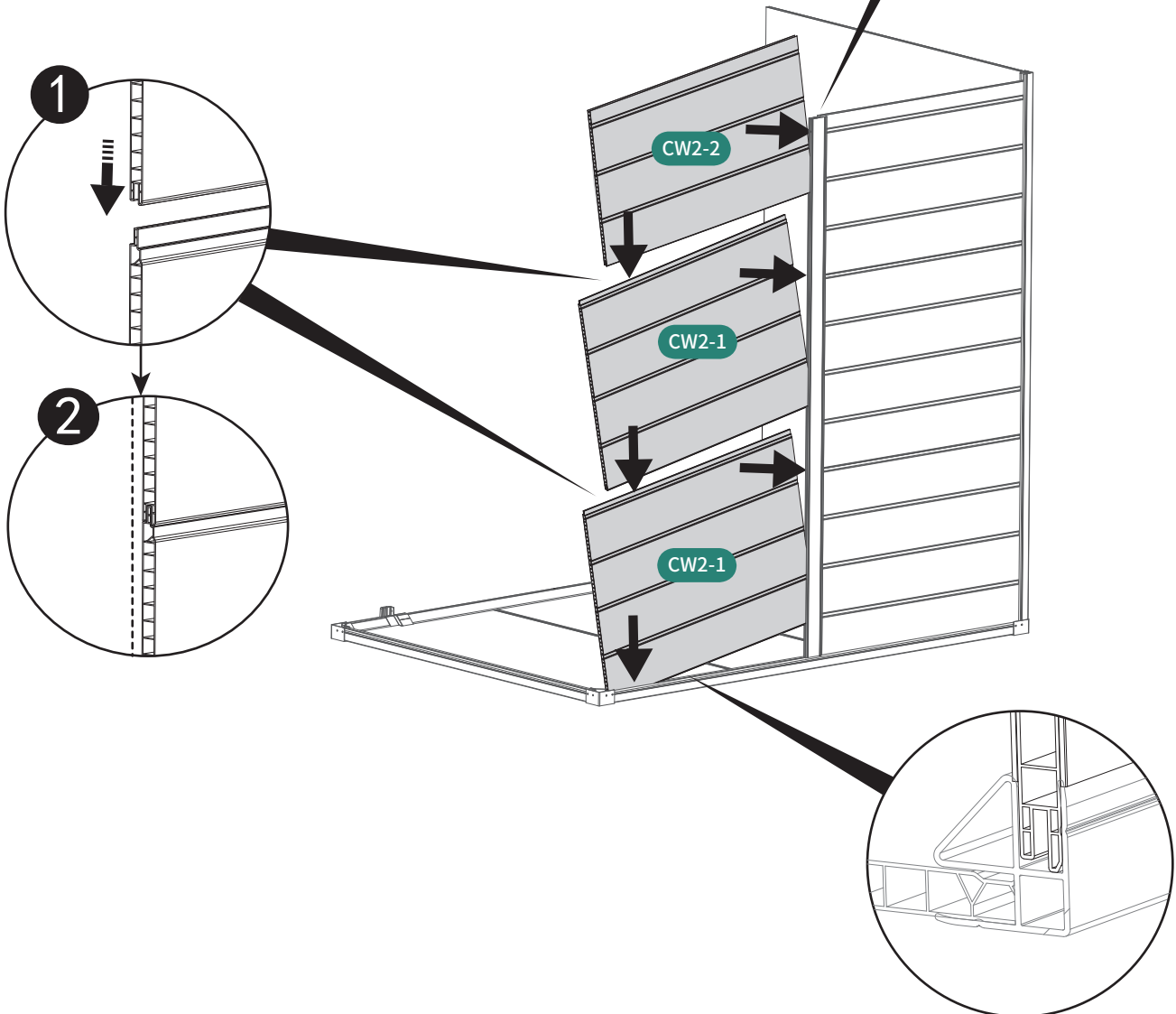
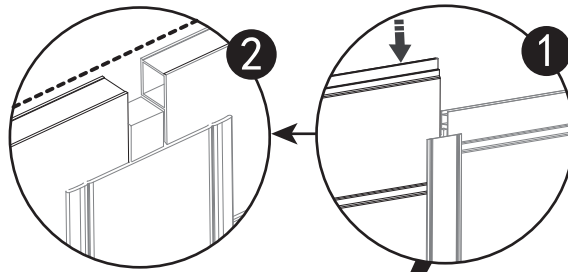
11

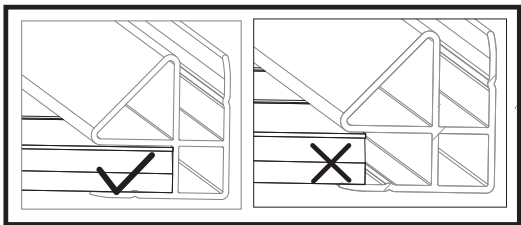
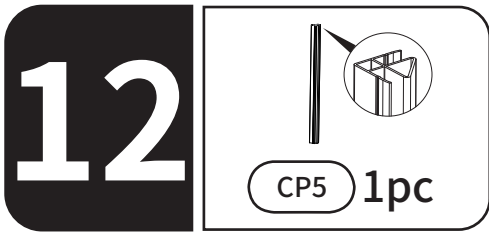


CW2-1 2pcs CW2-2 1pc

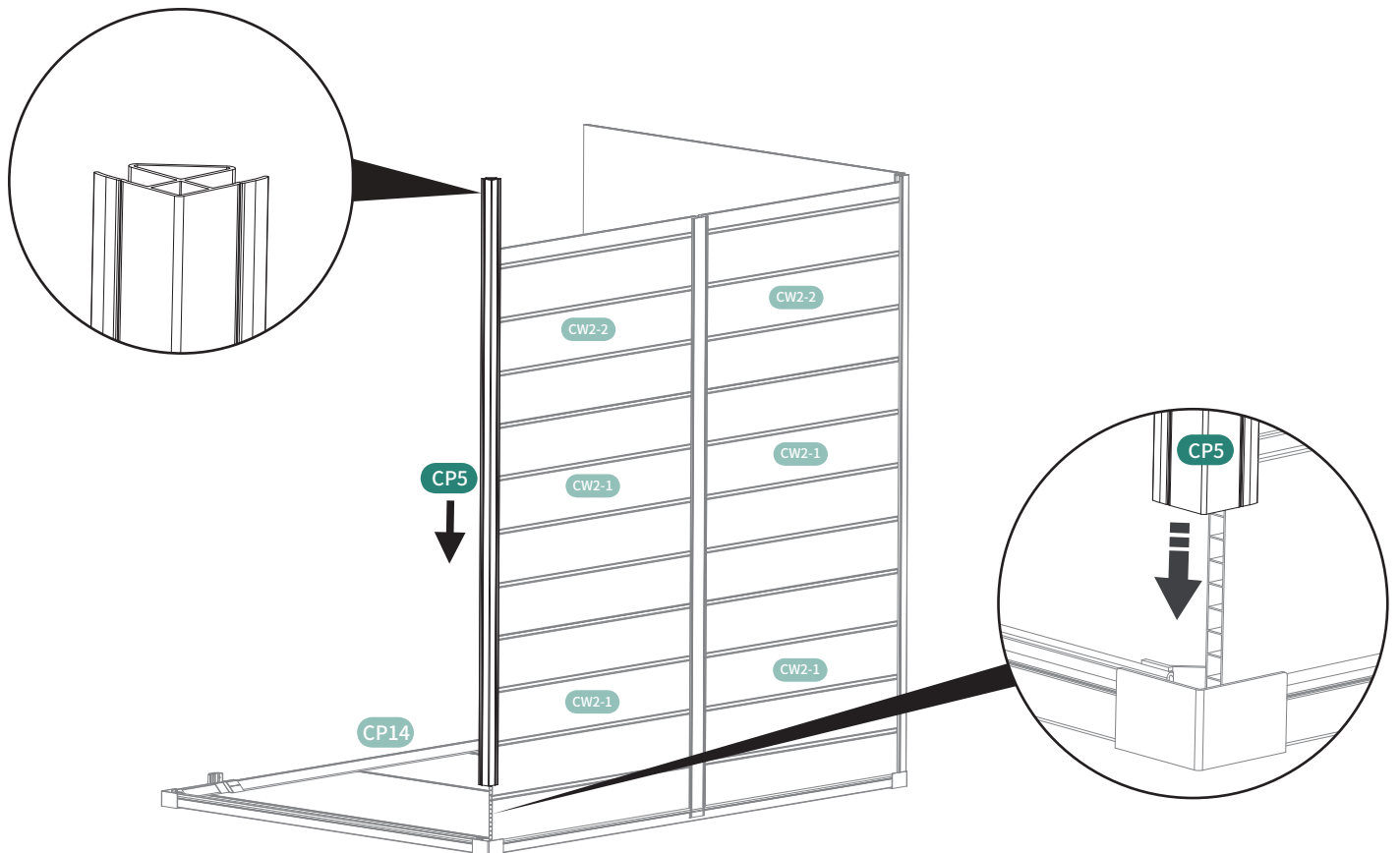


● Fully fit the panel inside the profile

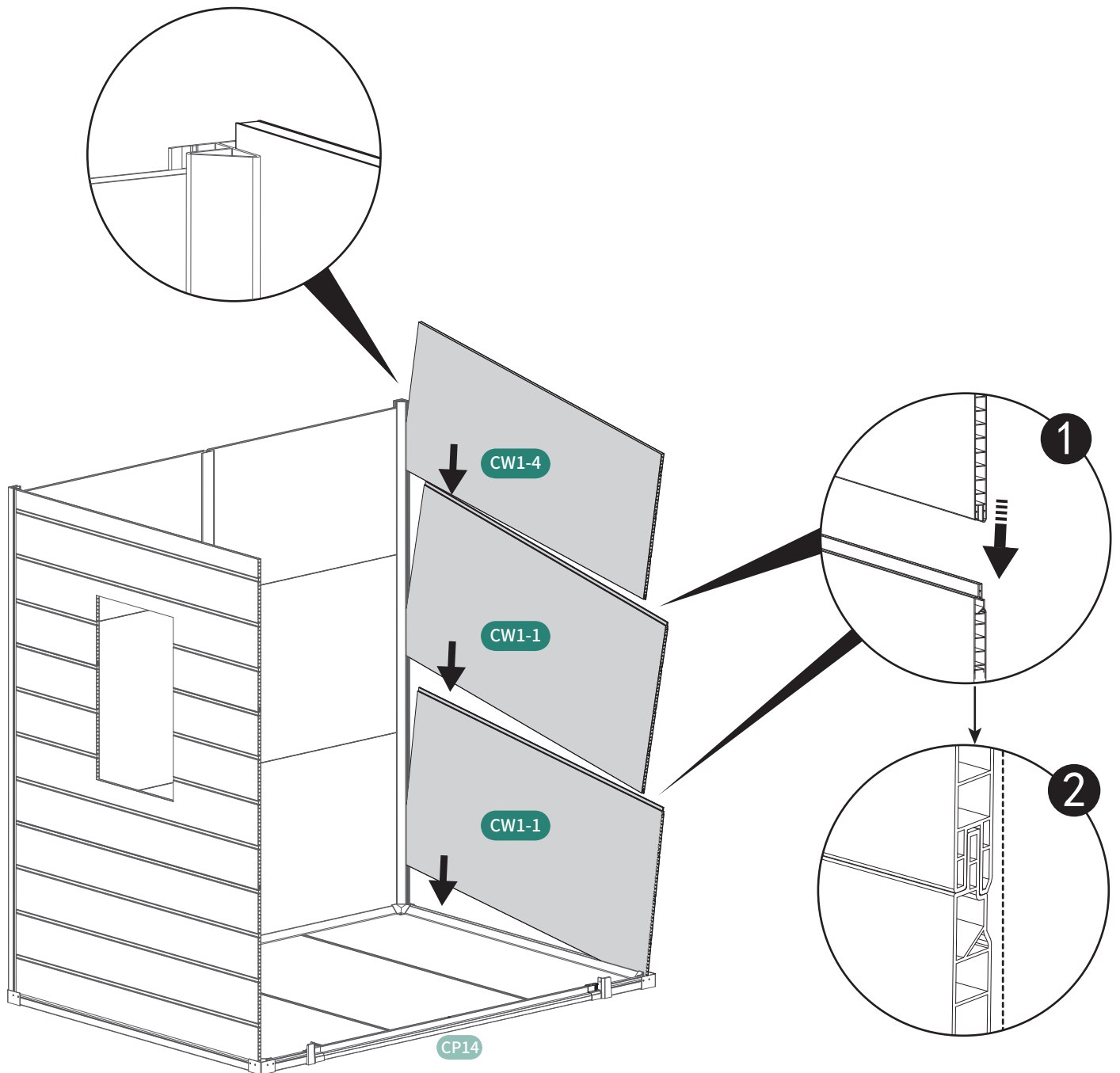
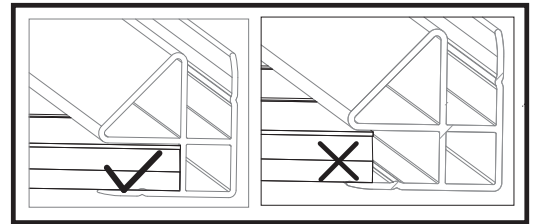
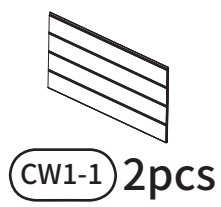
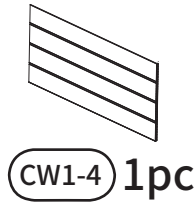




- Fully fit the panel inside the profile



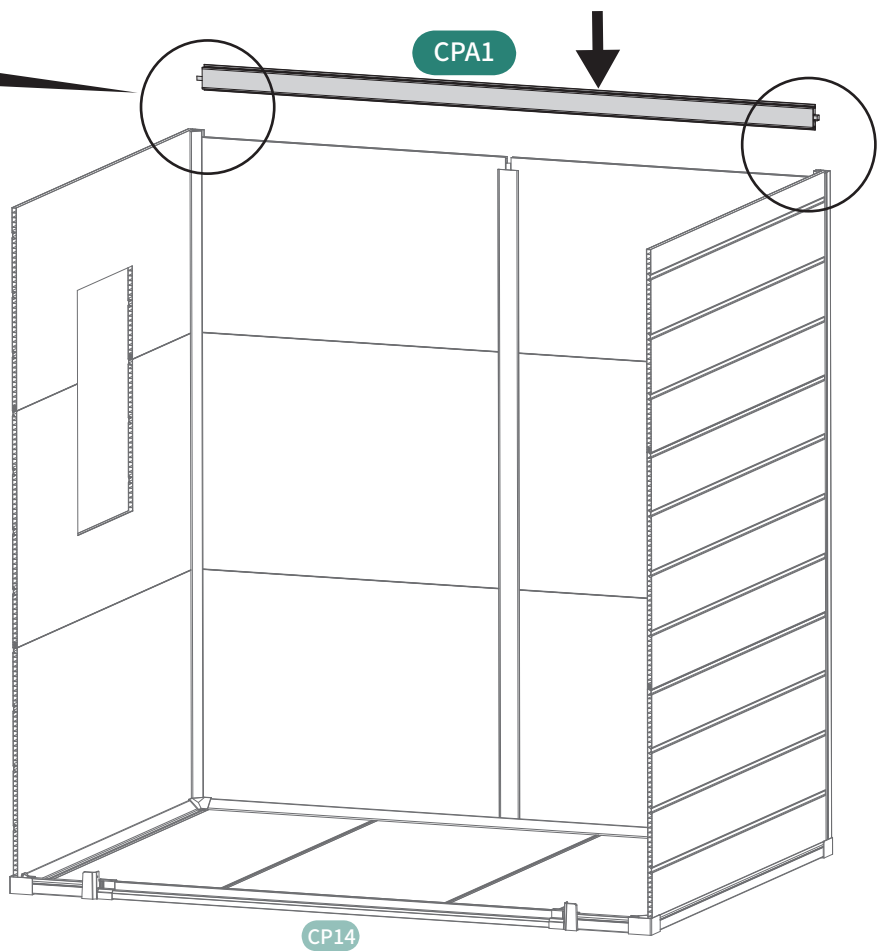
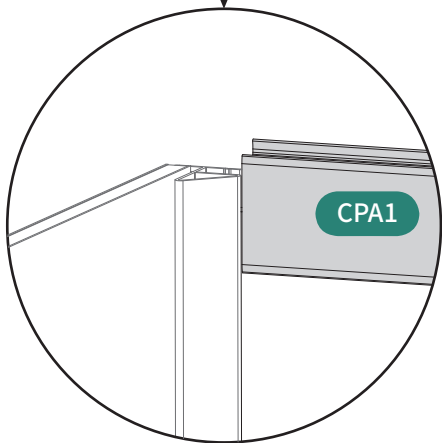
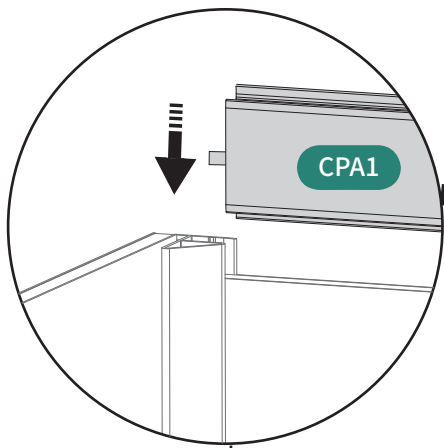
13



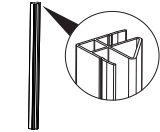
14



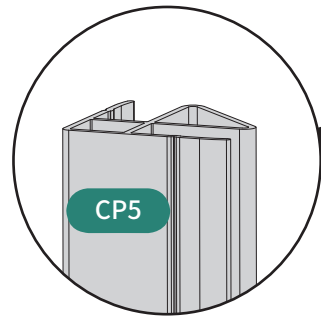
CPA1 1pc



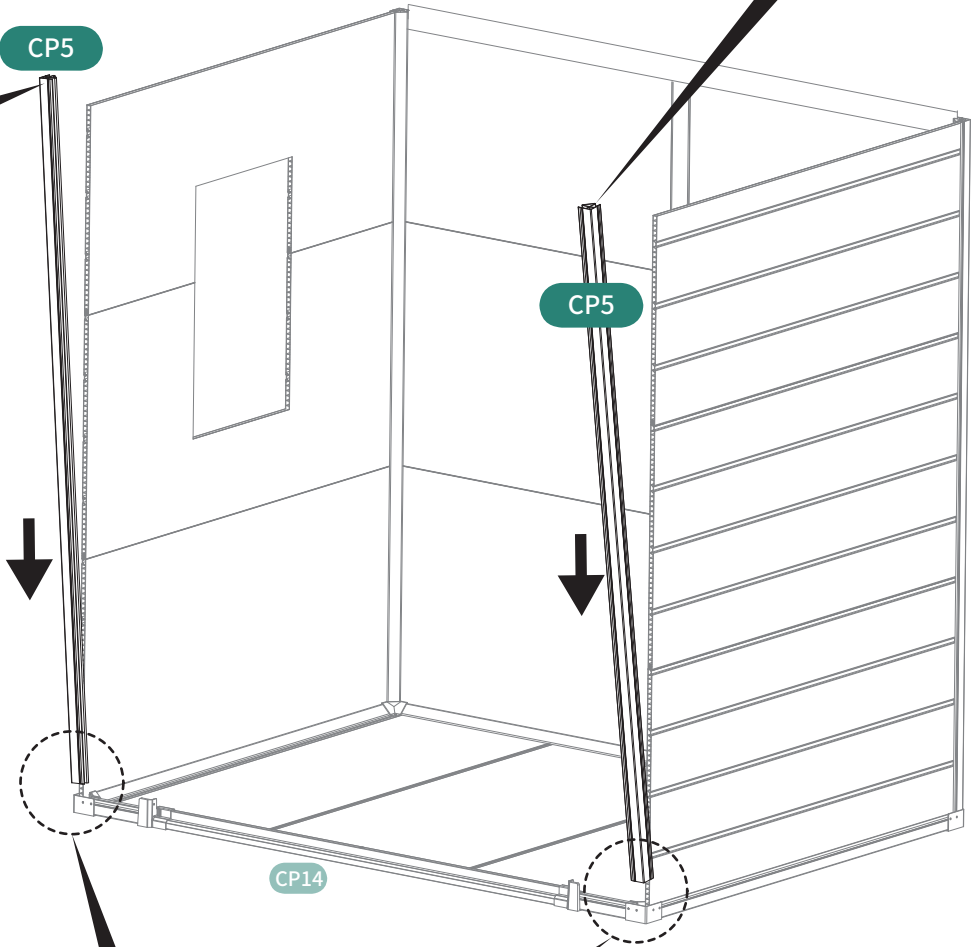
15



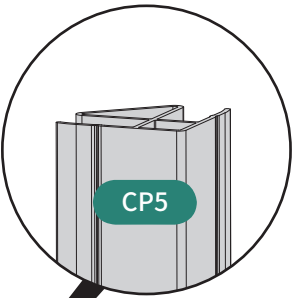
CP5 2pcs



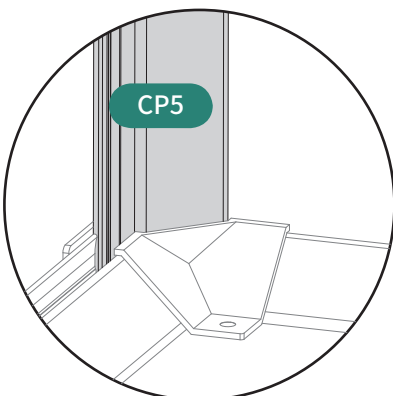
CP5



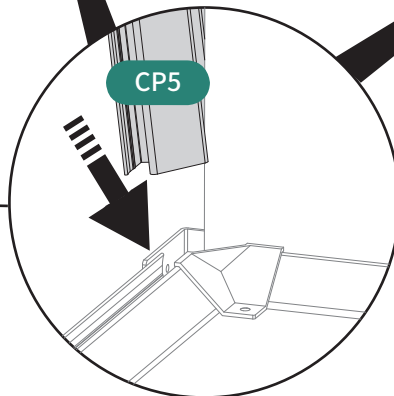
CP5



CP5



CP5

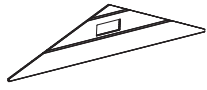


CP5

16



BY 1pc



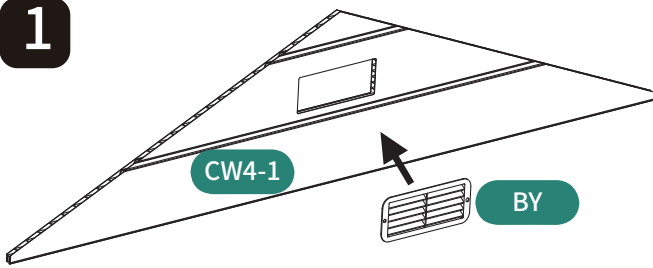
CW4-1 1pc

ST4 X 10mm

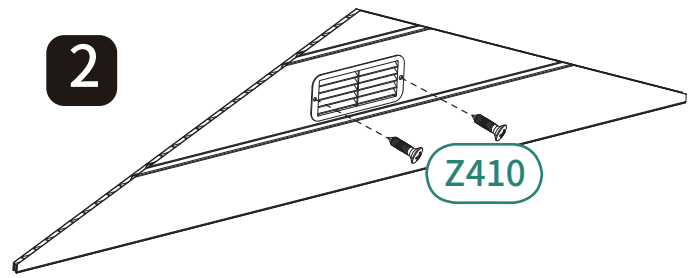


Z410 2pcs

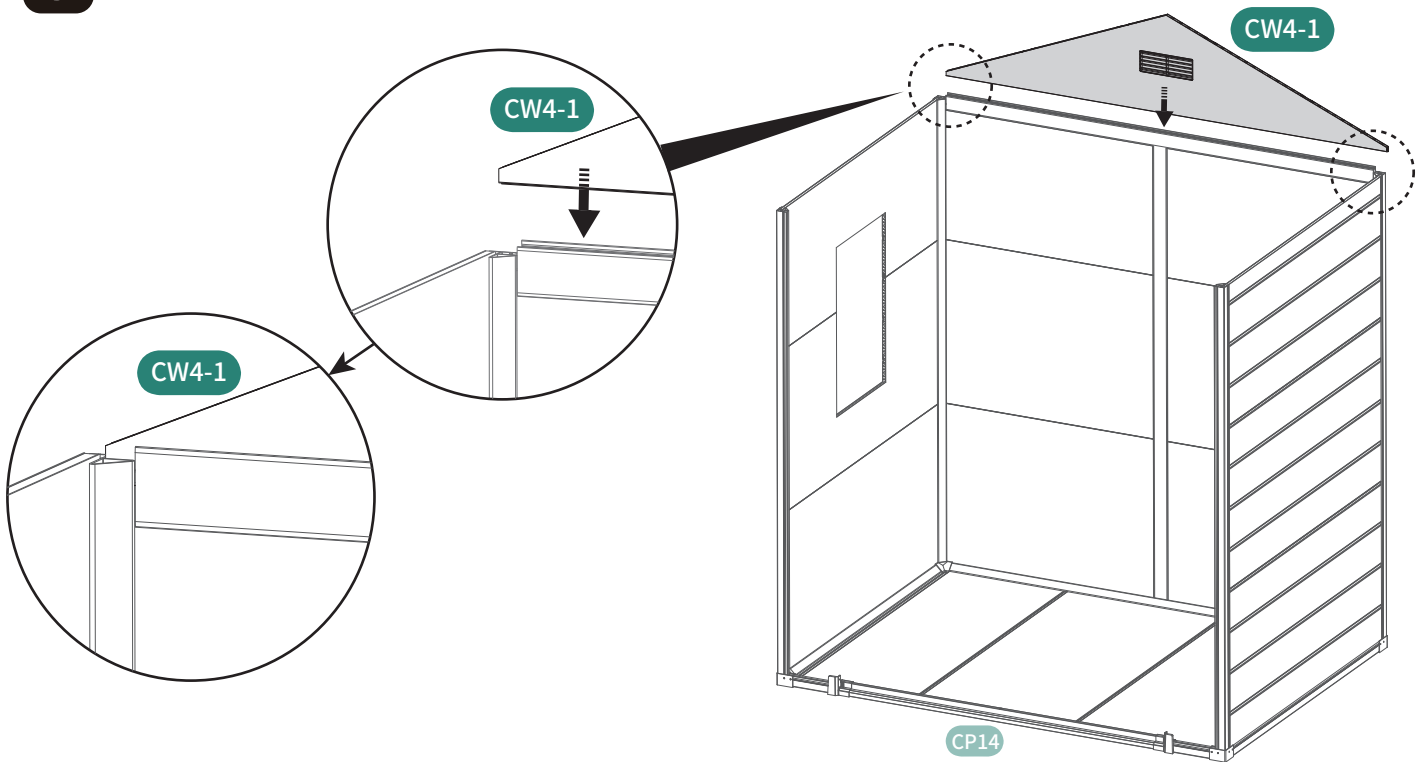
1




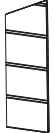

2

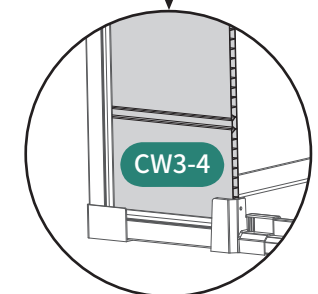
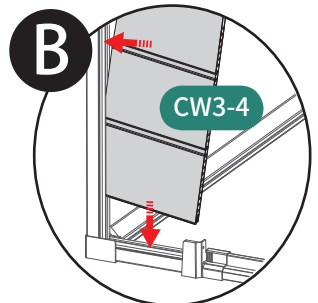
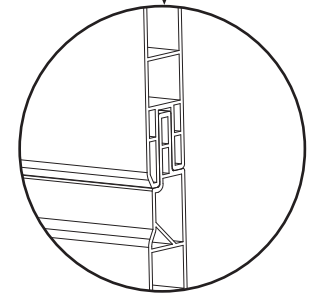
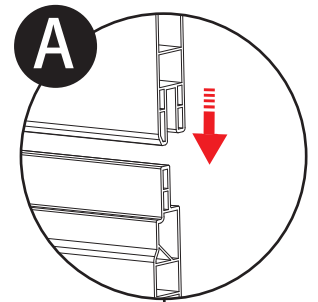
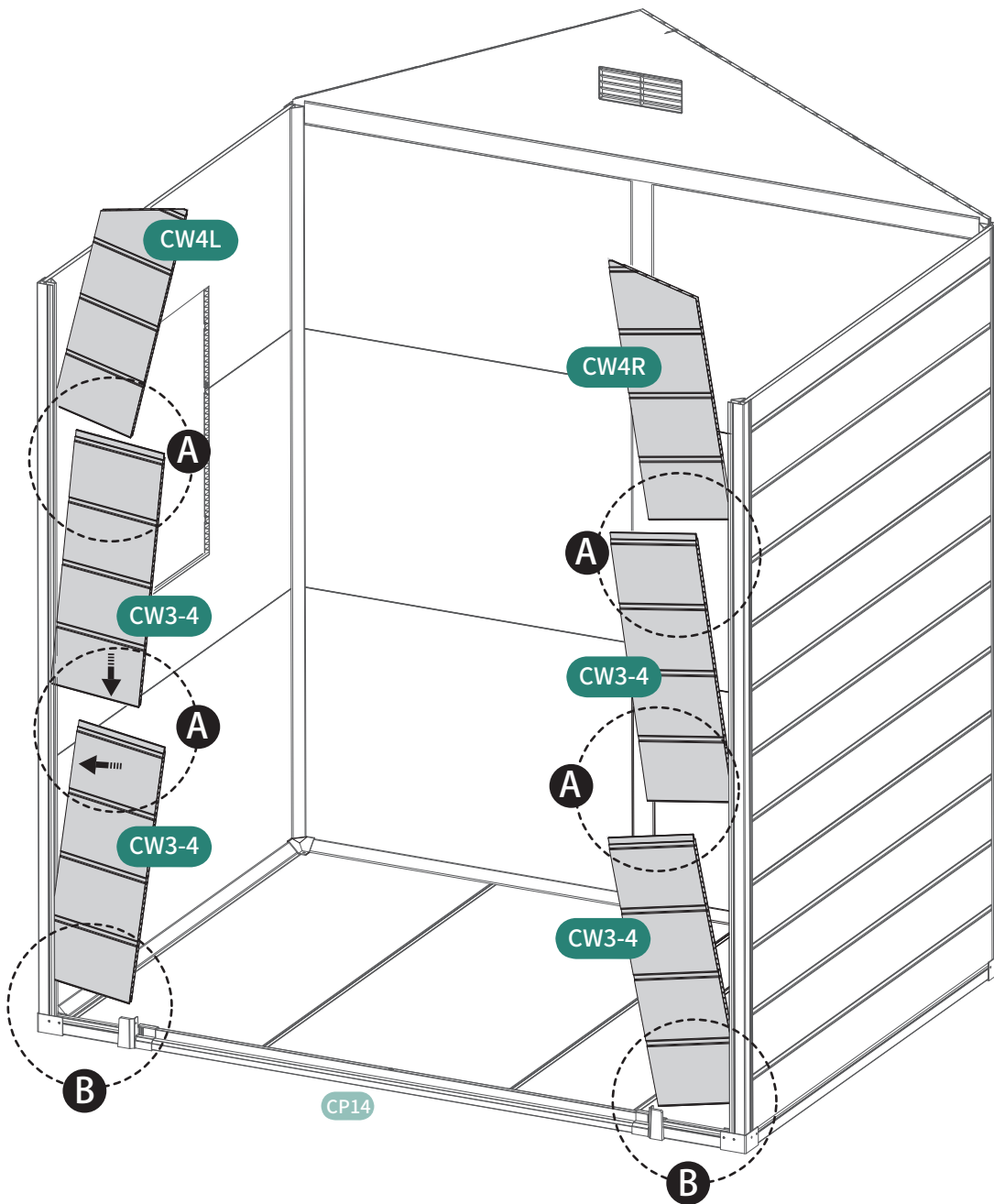


3

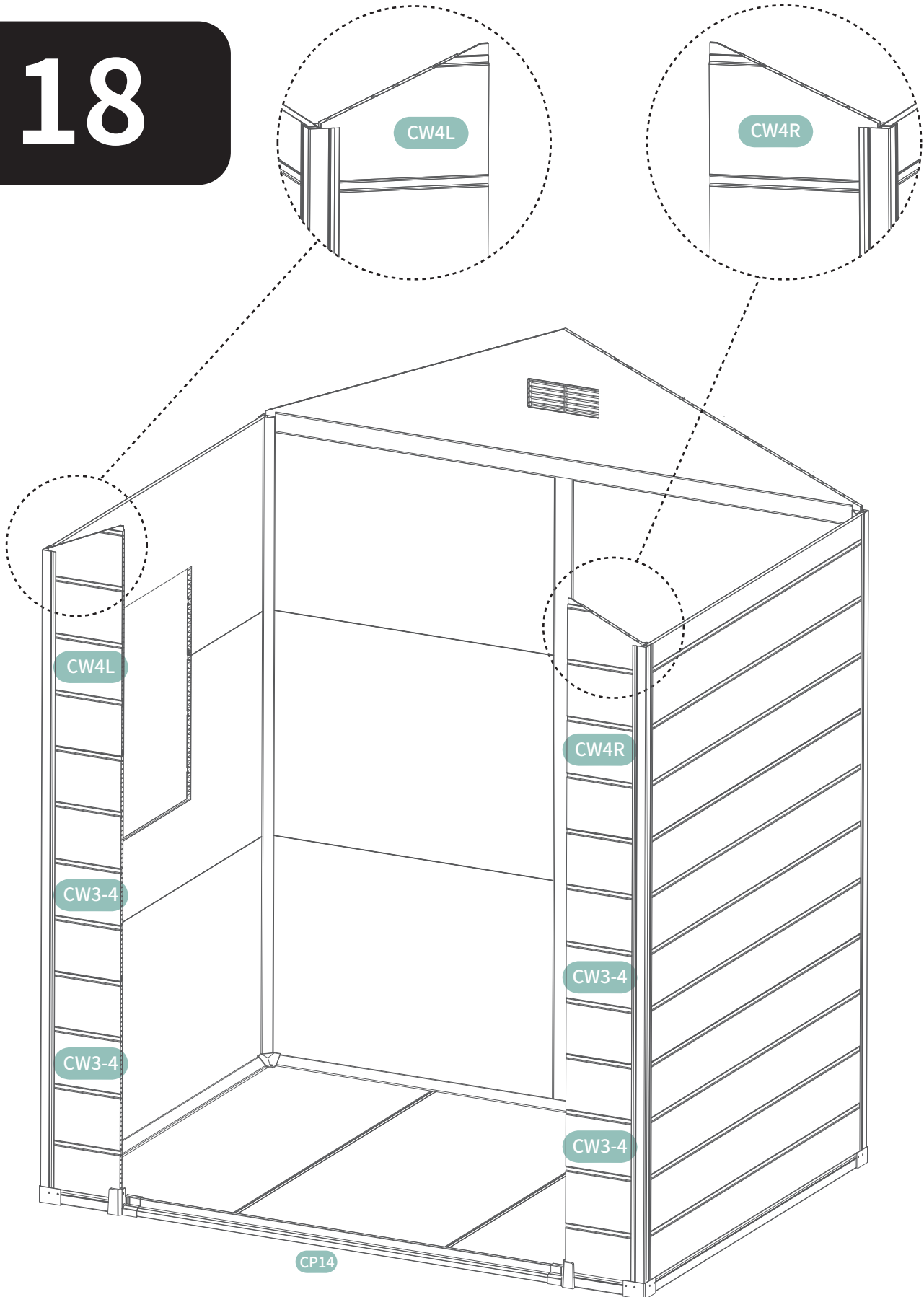


17

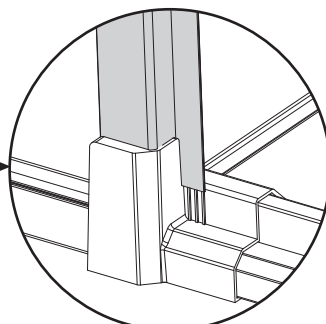
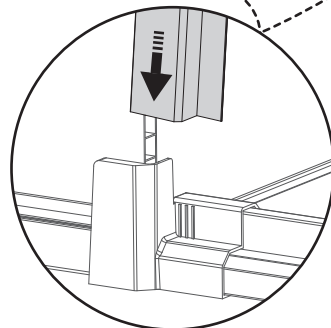
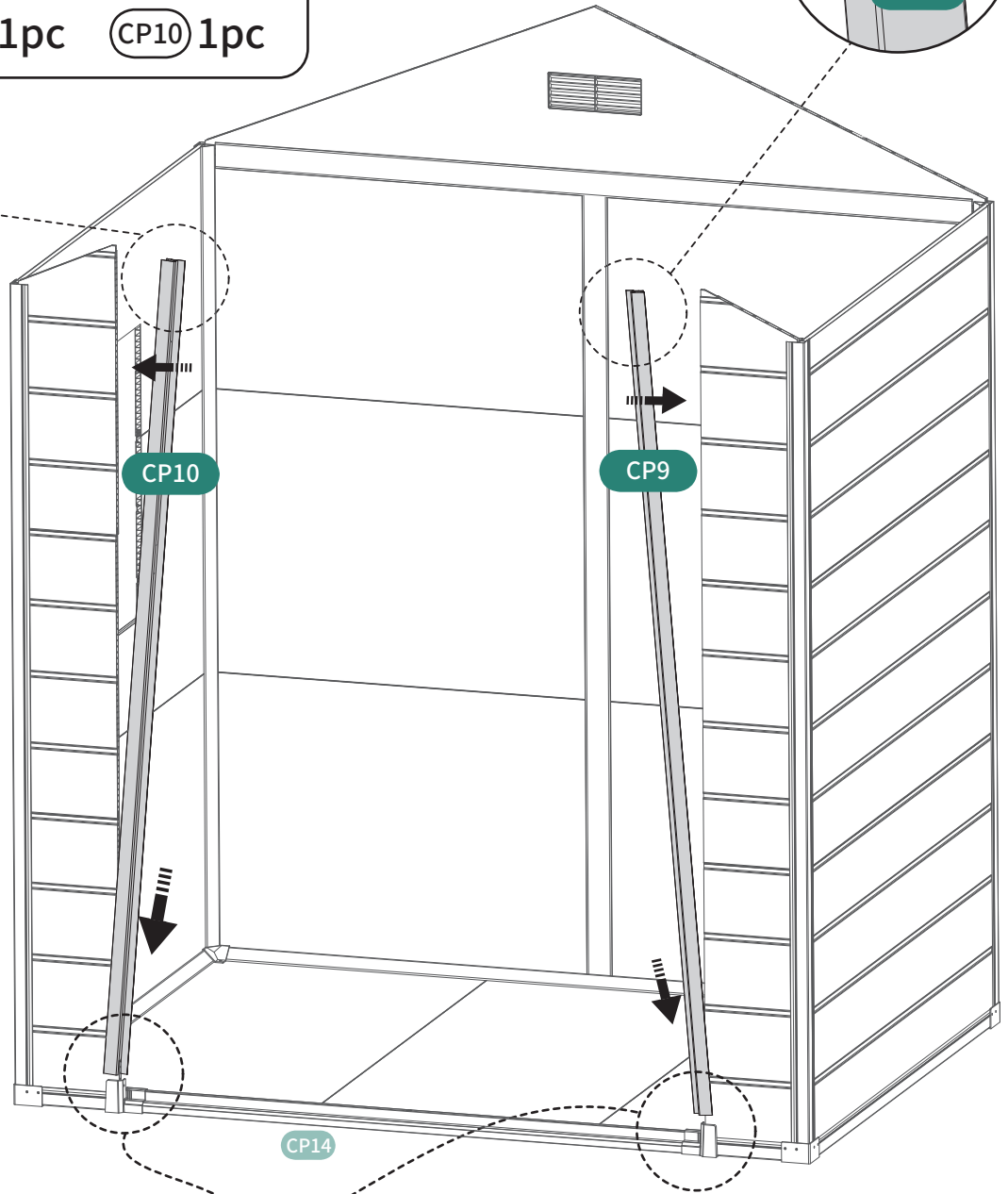
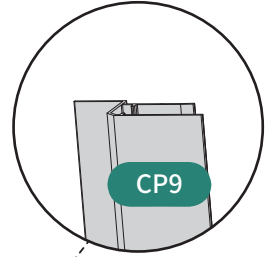
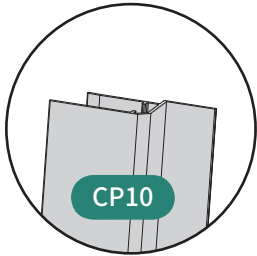
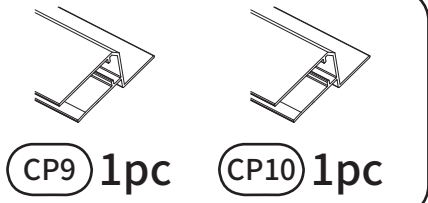
 **CW3-4** 4pcs
  **CW4L** 1pc
  **CW4R** 1pc



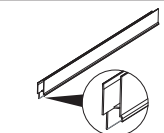
18



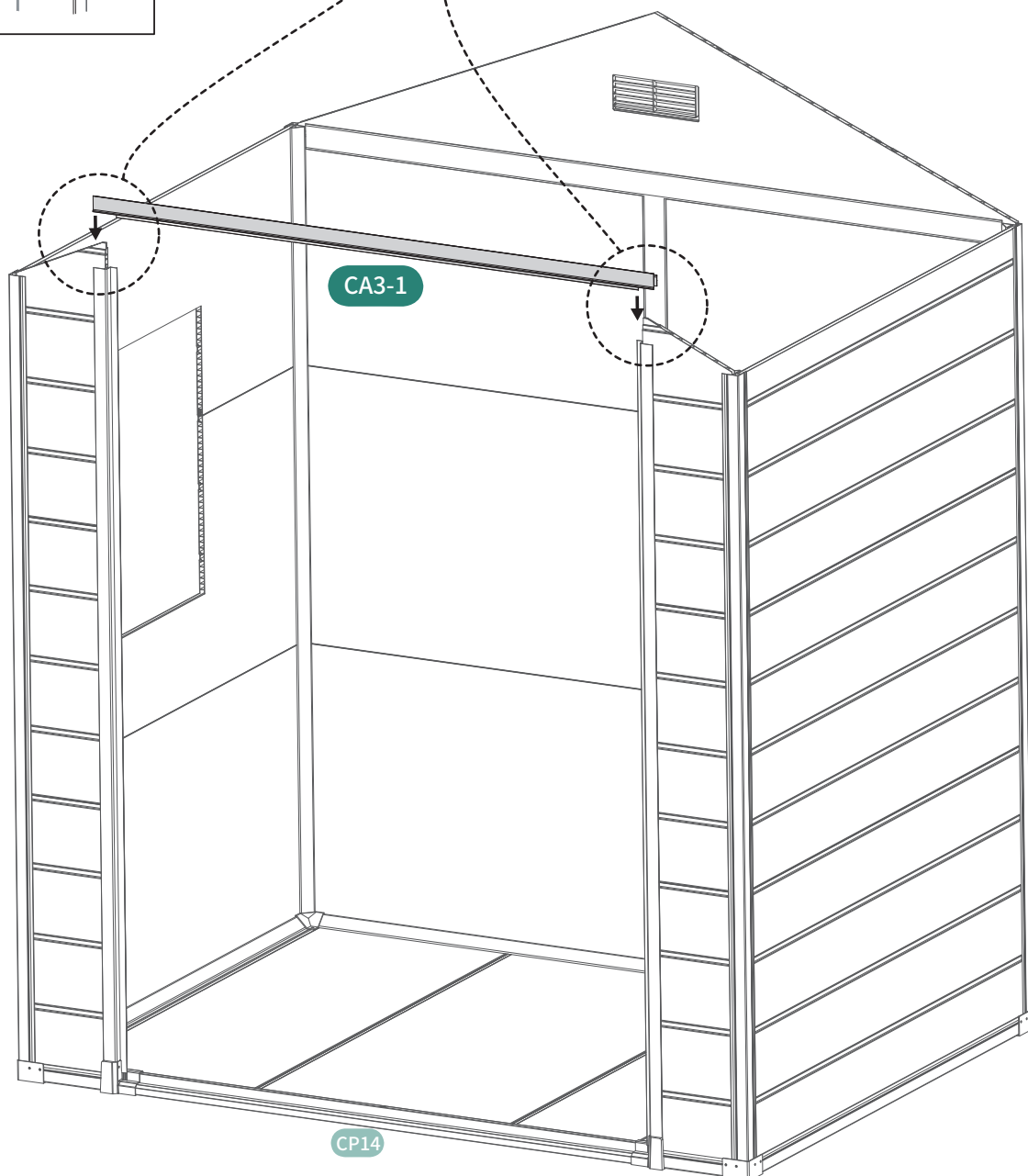
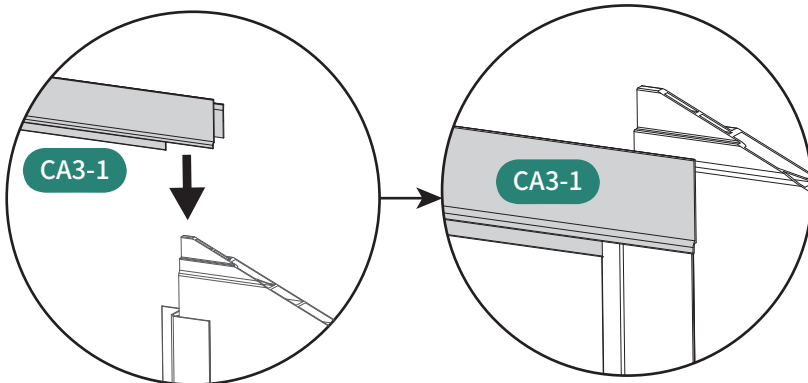
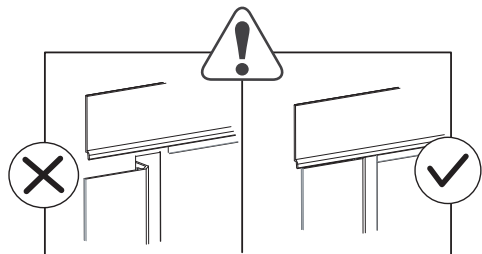
19



20



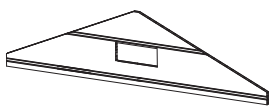
CA3-1 1pc



21



BY 1pc



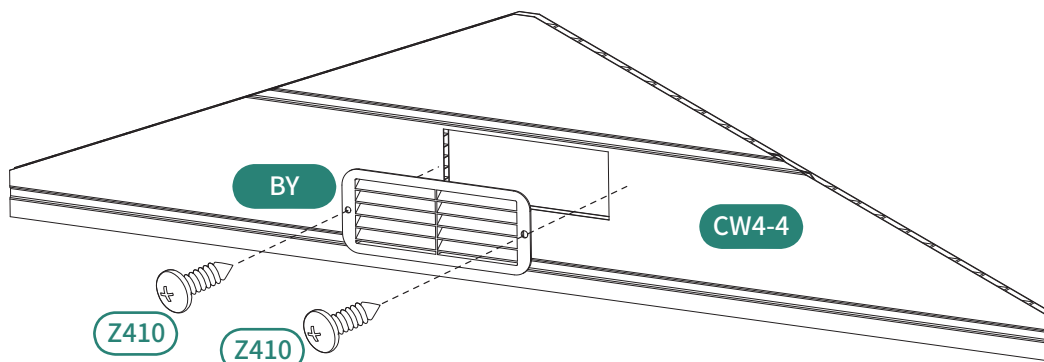
CW4-4 1pc

ST4 X 10mm

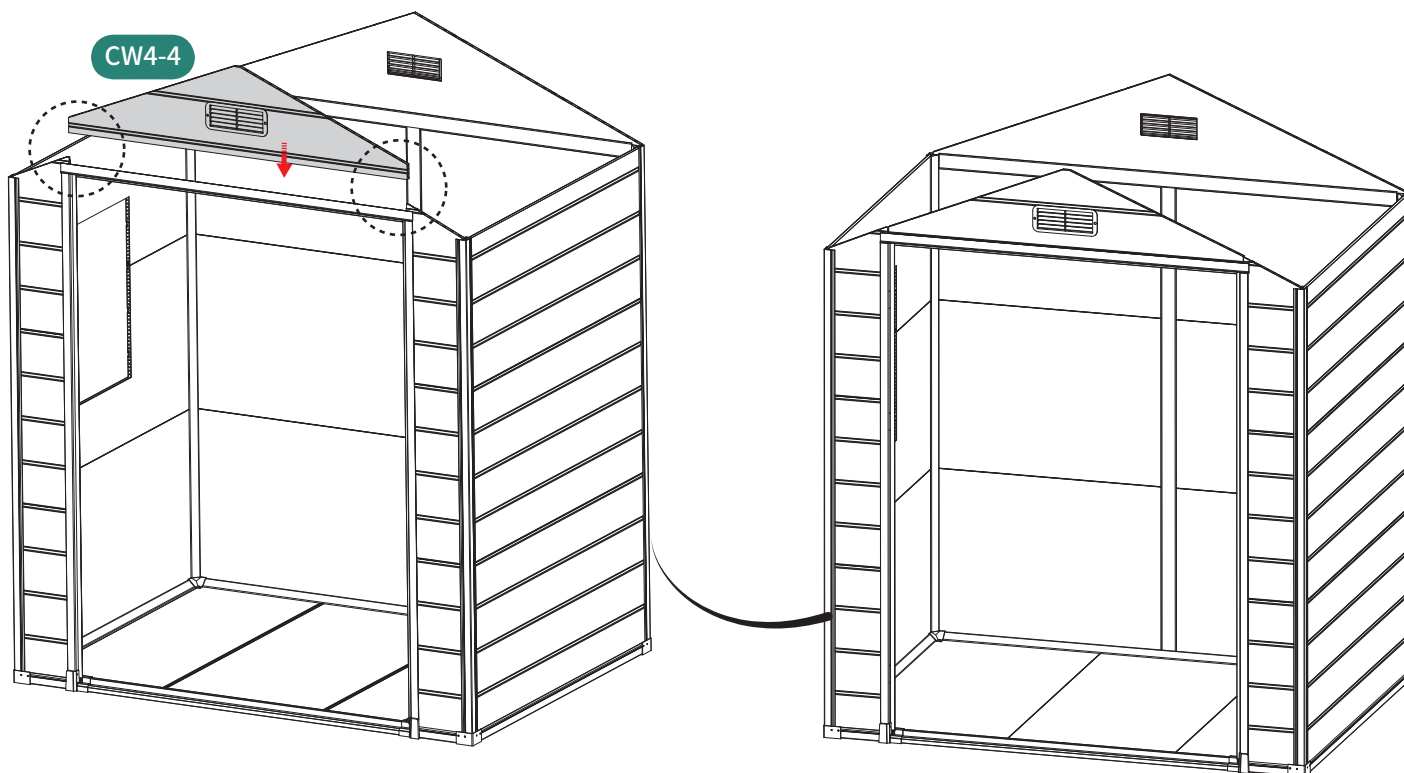
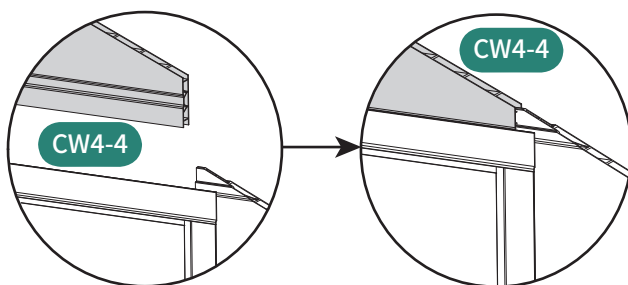


Z410 2pcs

1

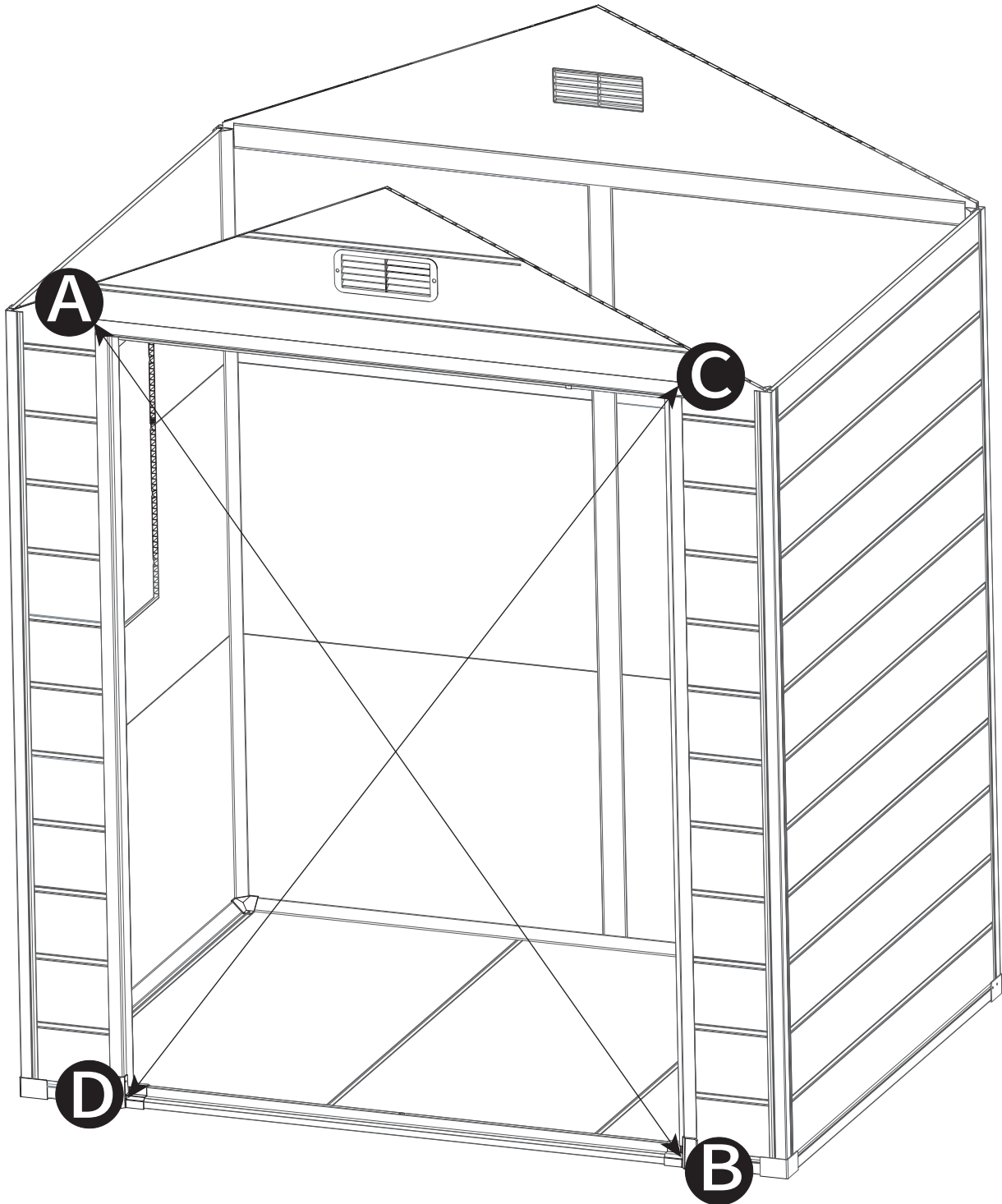


2



22

$AB=CD$



23

ST4 X 13mm

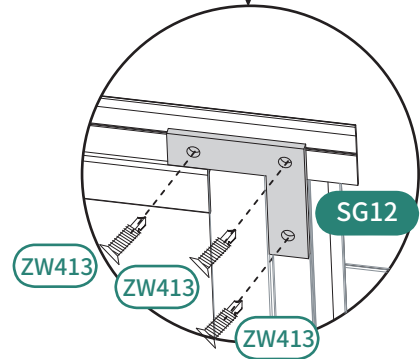
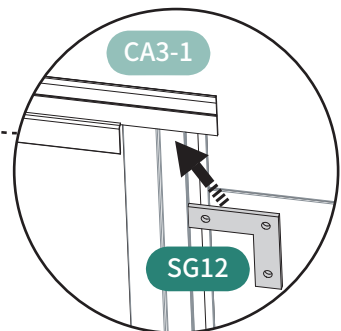
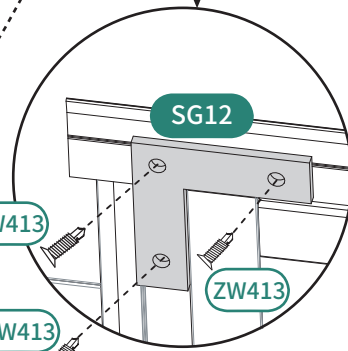
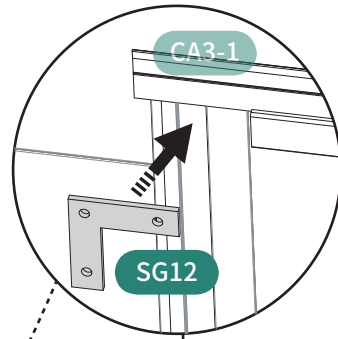
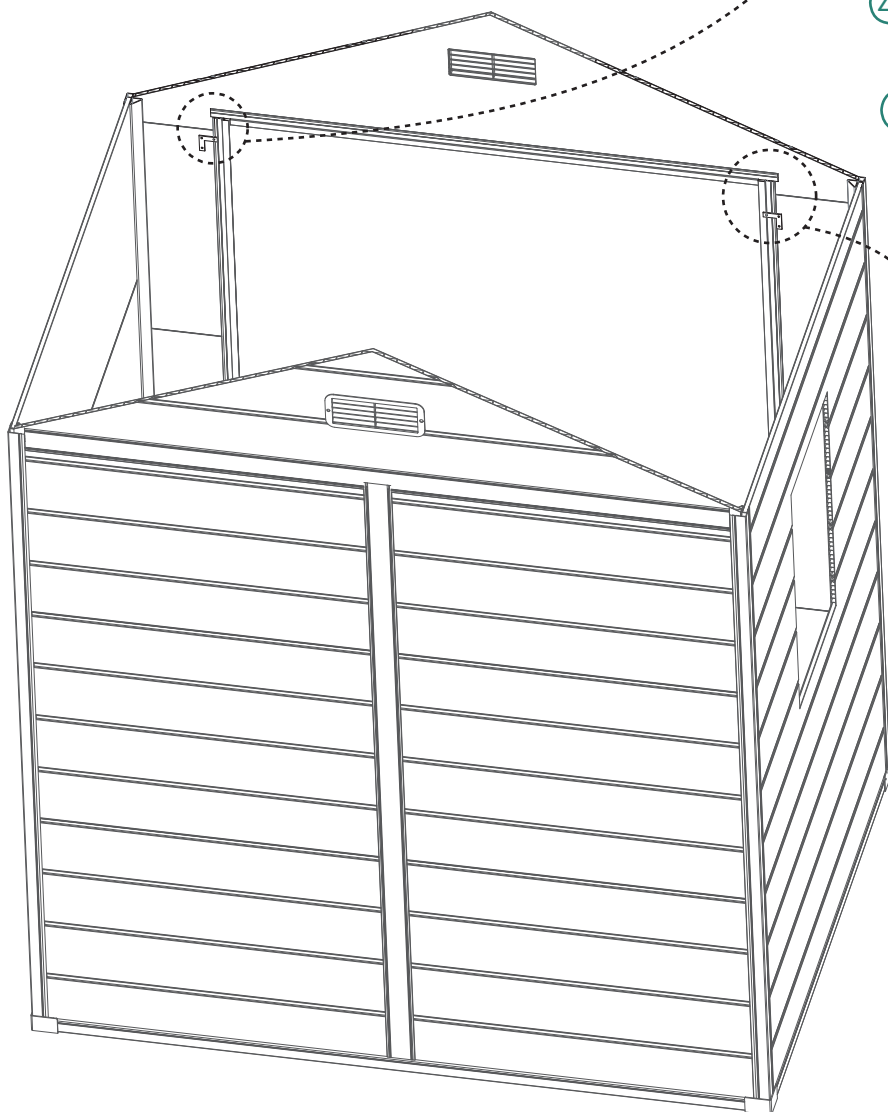
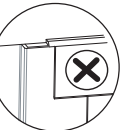
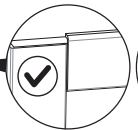
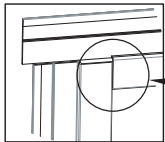
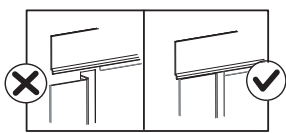


ZW413 6pcs

SG12 2pcs



• fixation after aligning

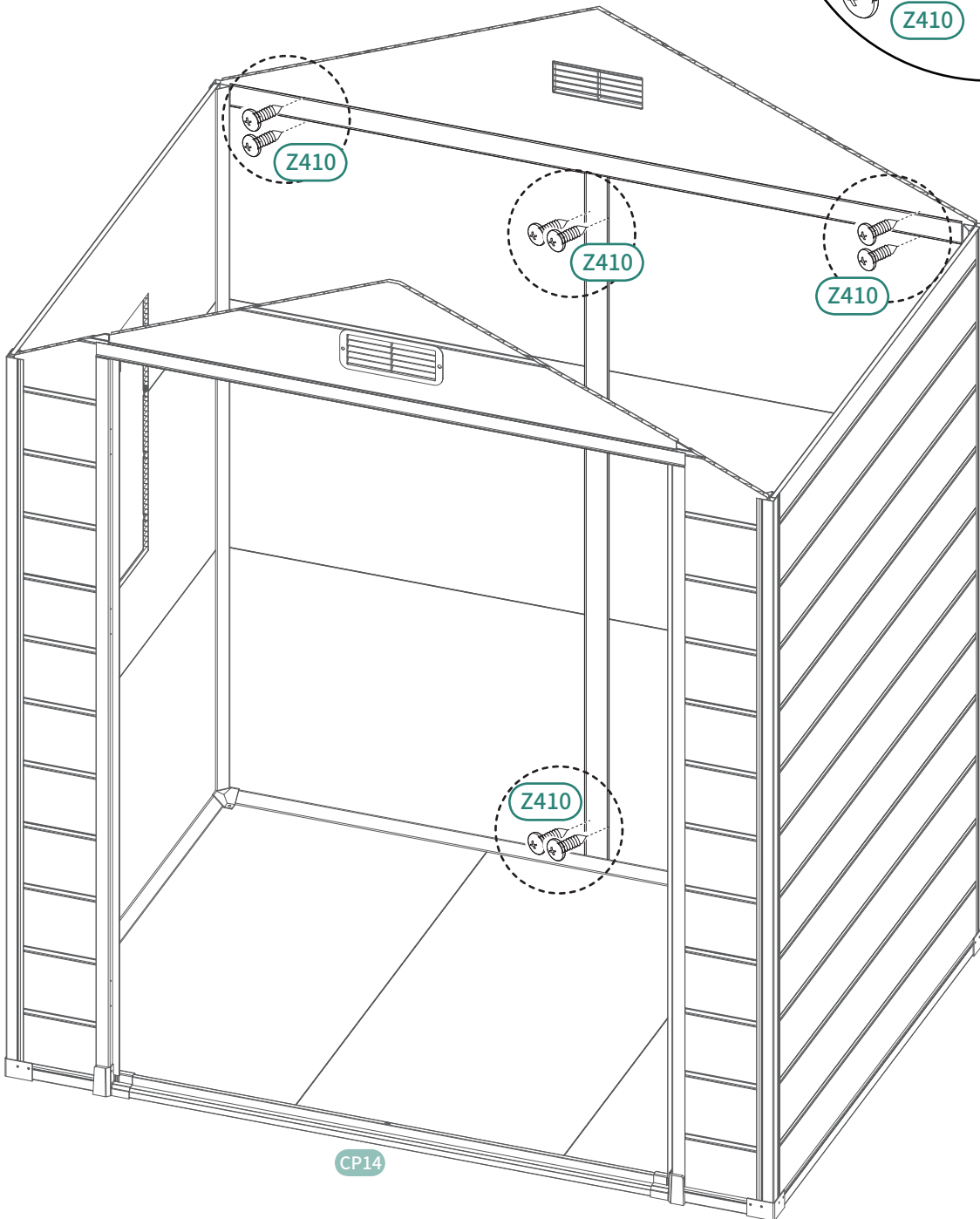
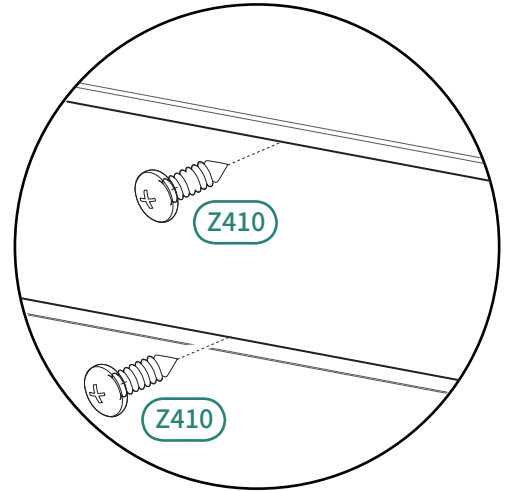


24

ST4 X 10mm



Z410 8pcs



25

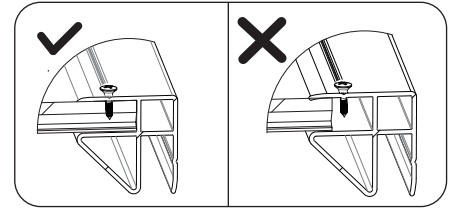
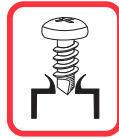
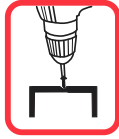
ST4 X 20mm



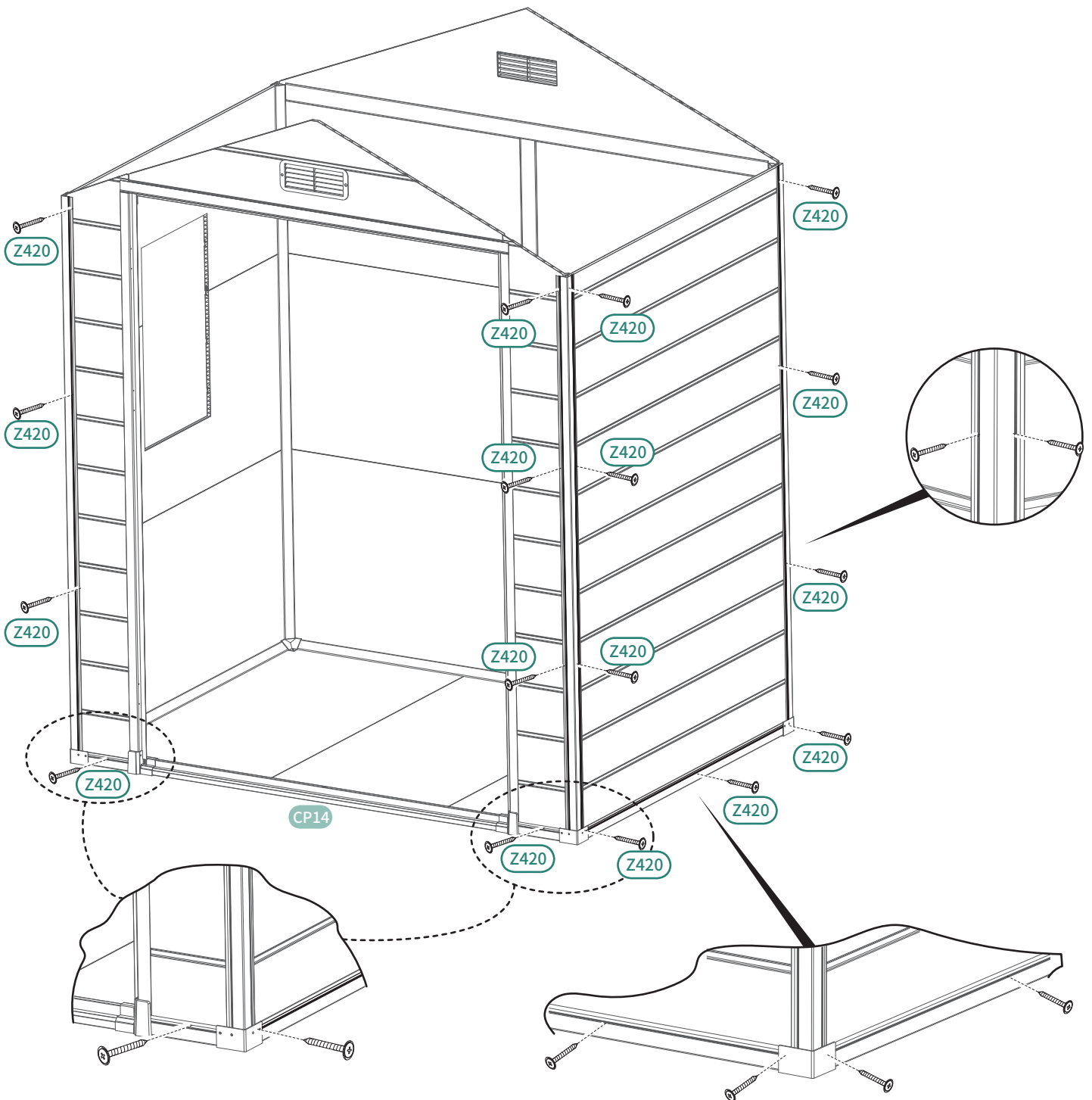
Z420 17pcs

Caution:

Please use Drill  to predrill a hole at depth 1mm before screw.



Fully fit the panel inside the profile
Screw along the marked lines in profiles



26

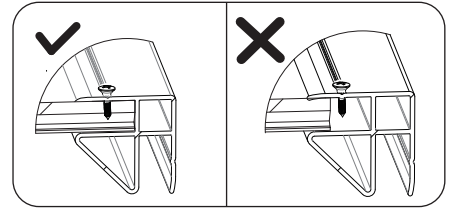
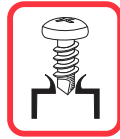
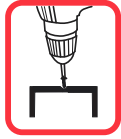
ST4 X 20mm



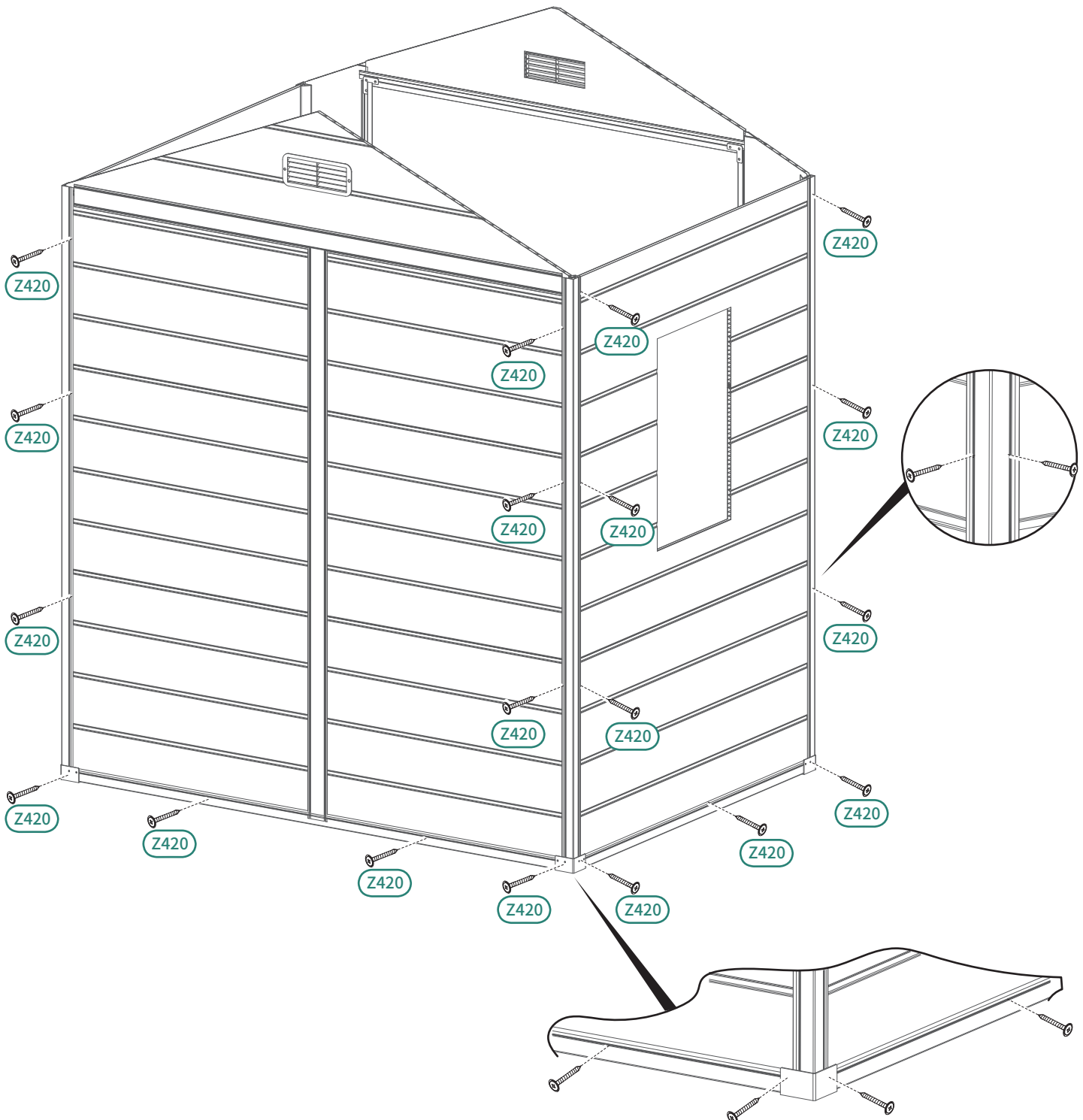
Z420 19pcs

Caution:

Please use Drill to predrill a hole at depth 1mm before screw.



Fully fit the panel inside the profile
Screw along the marked lines in profiles



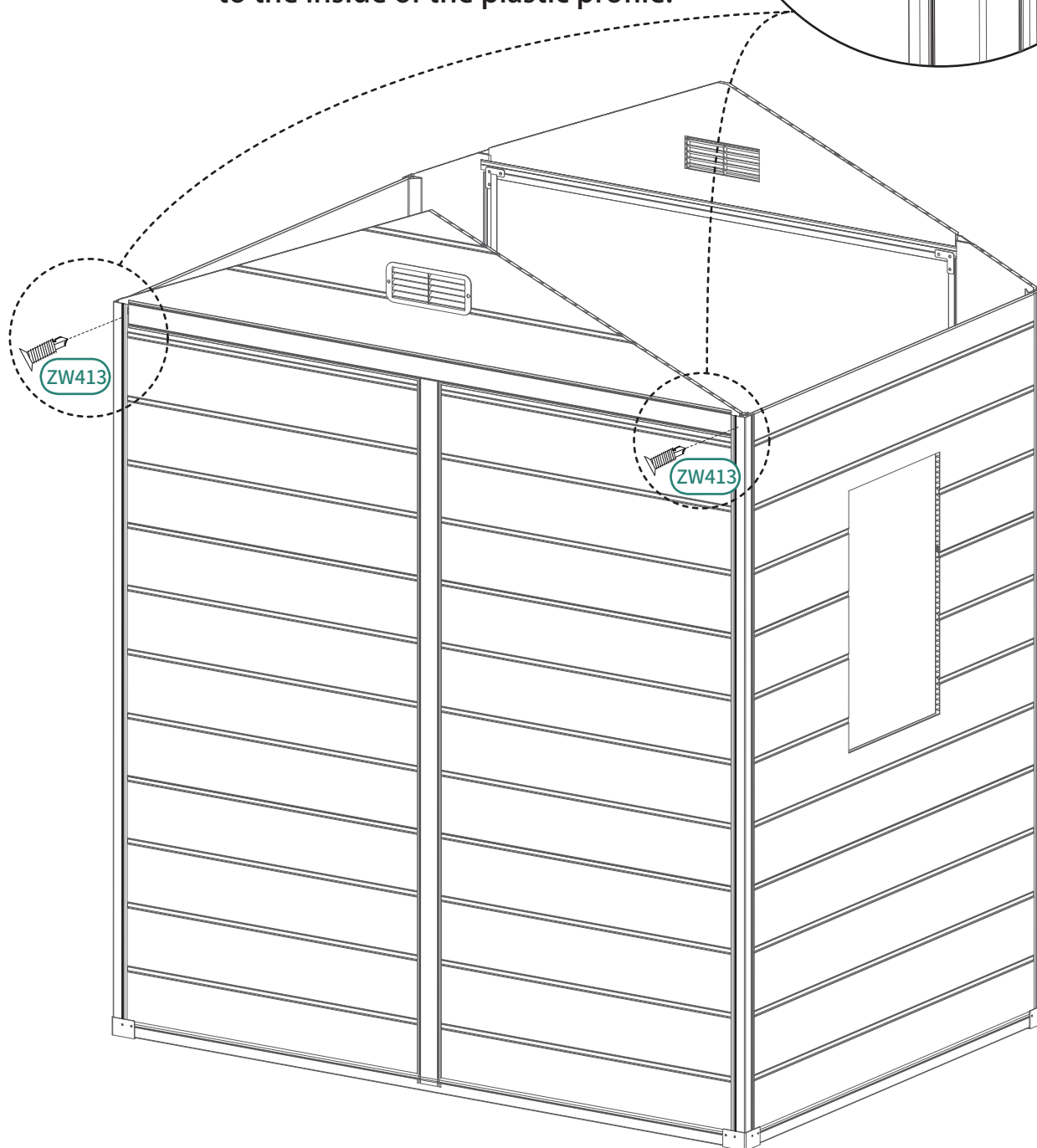
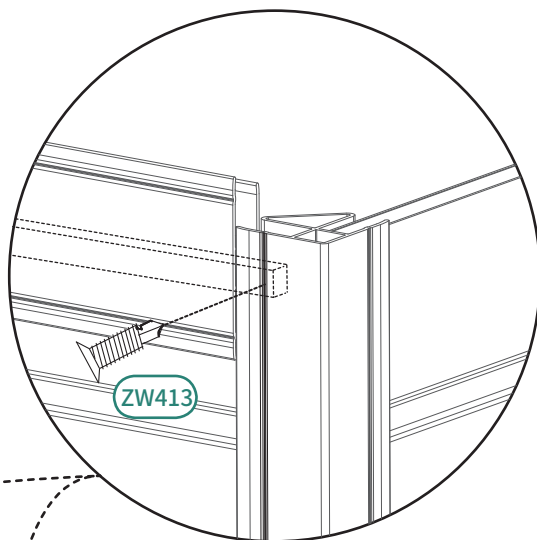
27

ST4 X 13mm



ZW413 2pcs

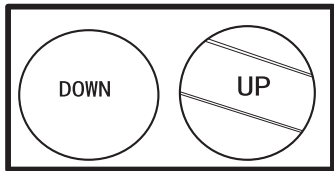
Attention to the location of the screws: they need to be locked on the iron pipe that corresponds to the inside of the plastic profile.



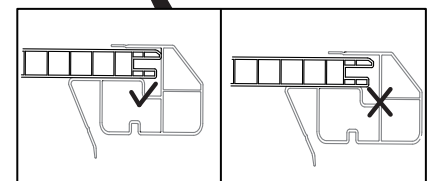
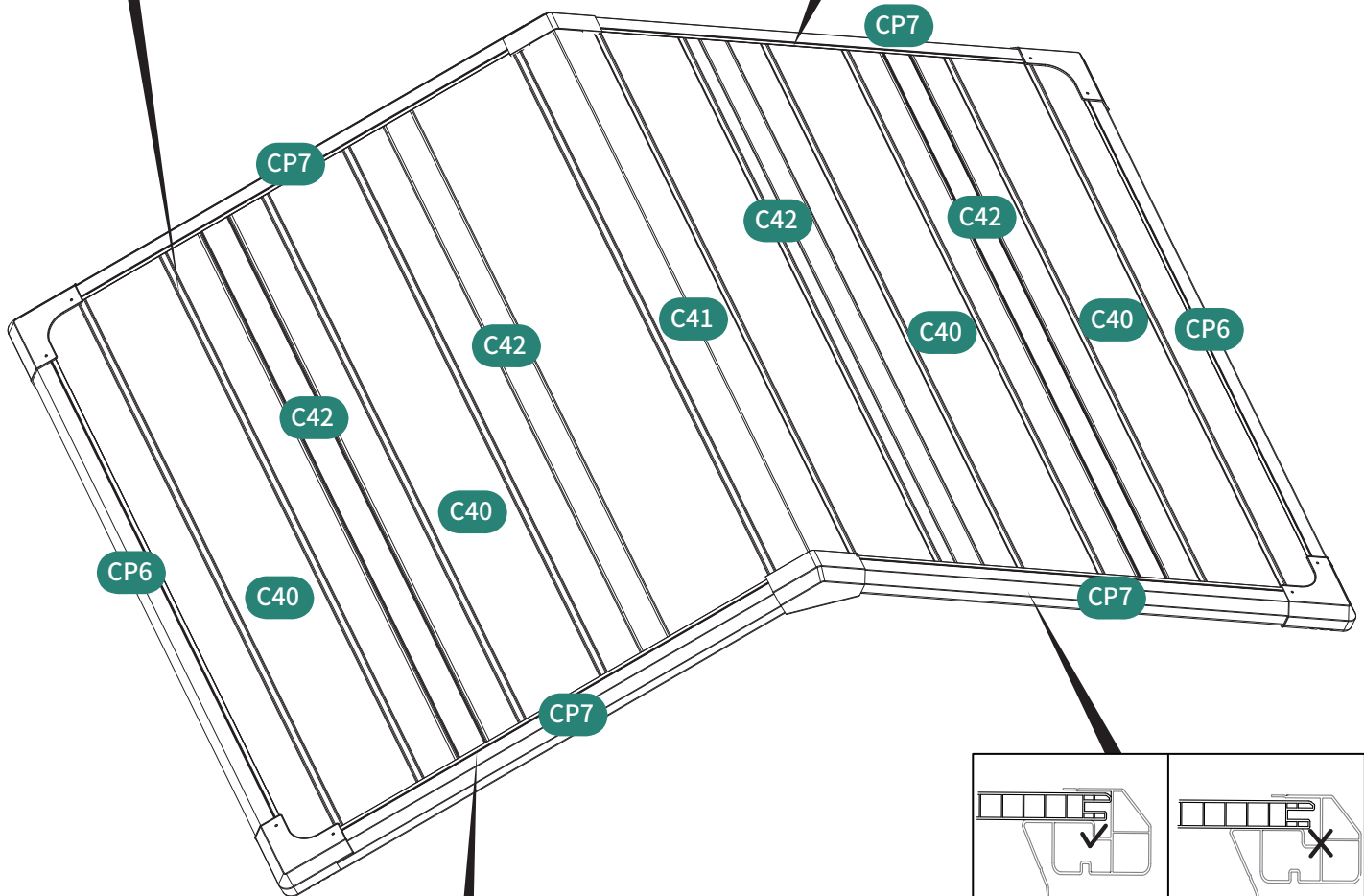
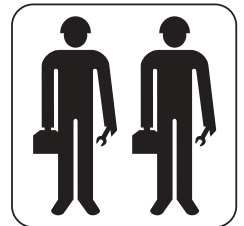
ROOF PARTS



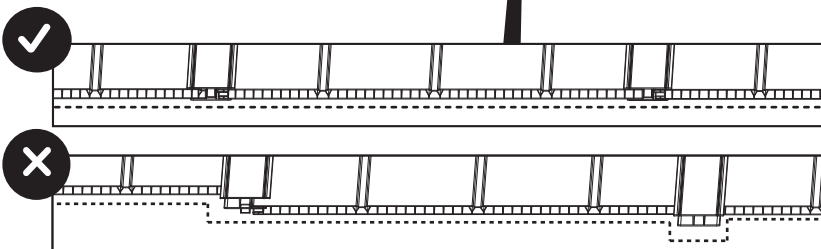
The stripes should be upwards



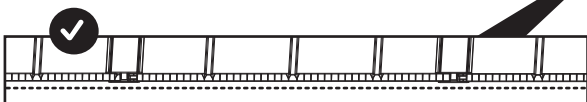
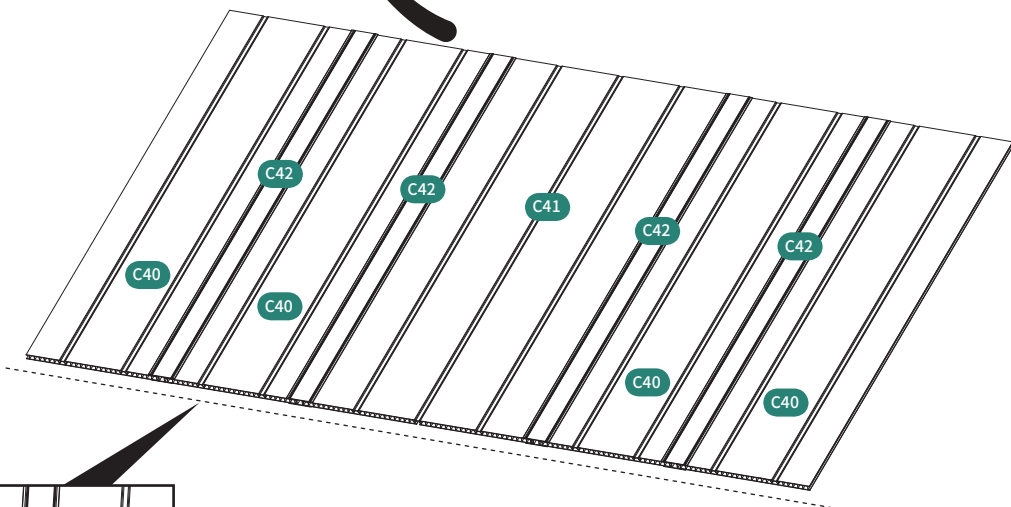
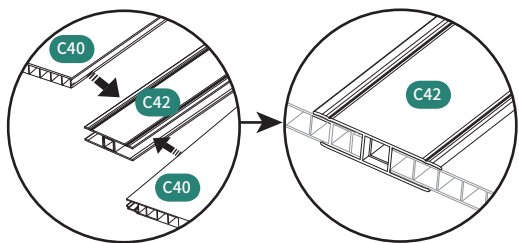
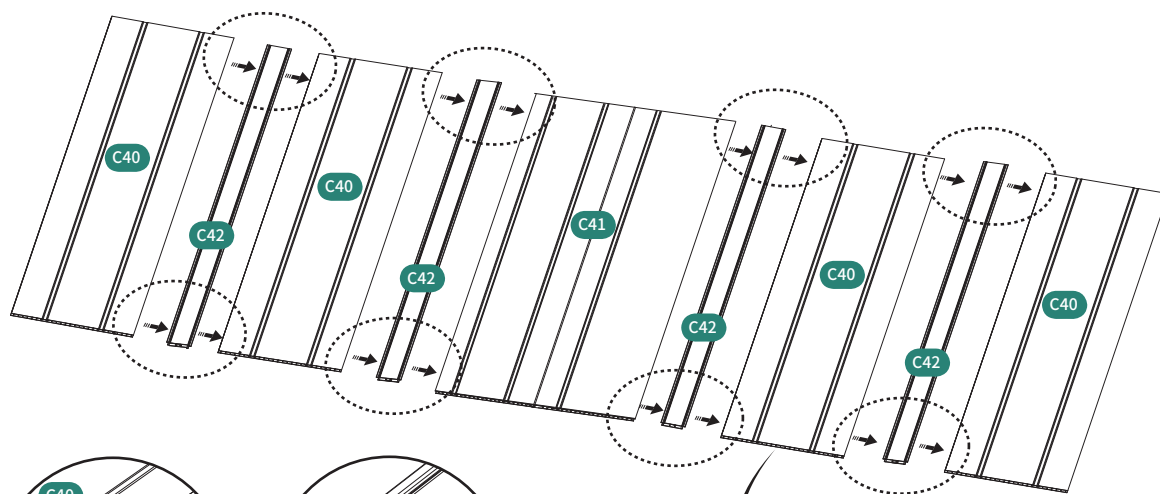
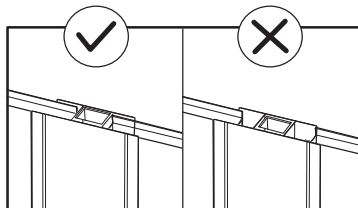
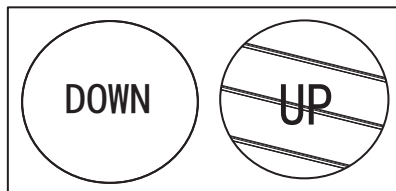
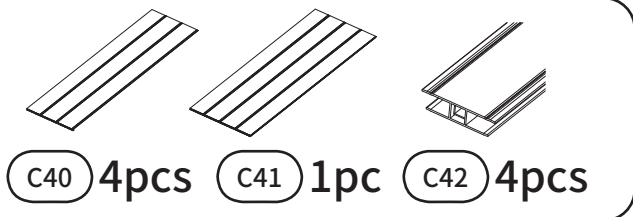
- Use spatula (part "SG8") for easier insertion of panel into profile.



- Fully fit the panel inside the profile.

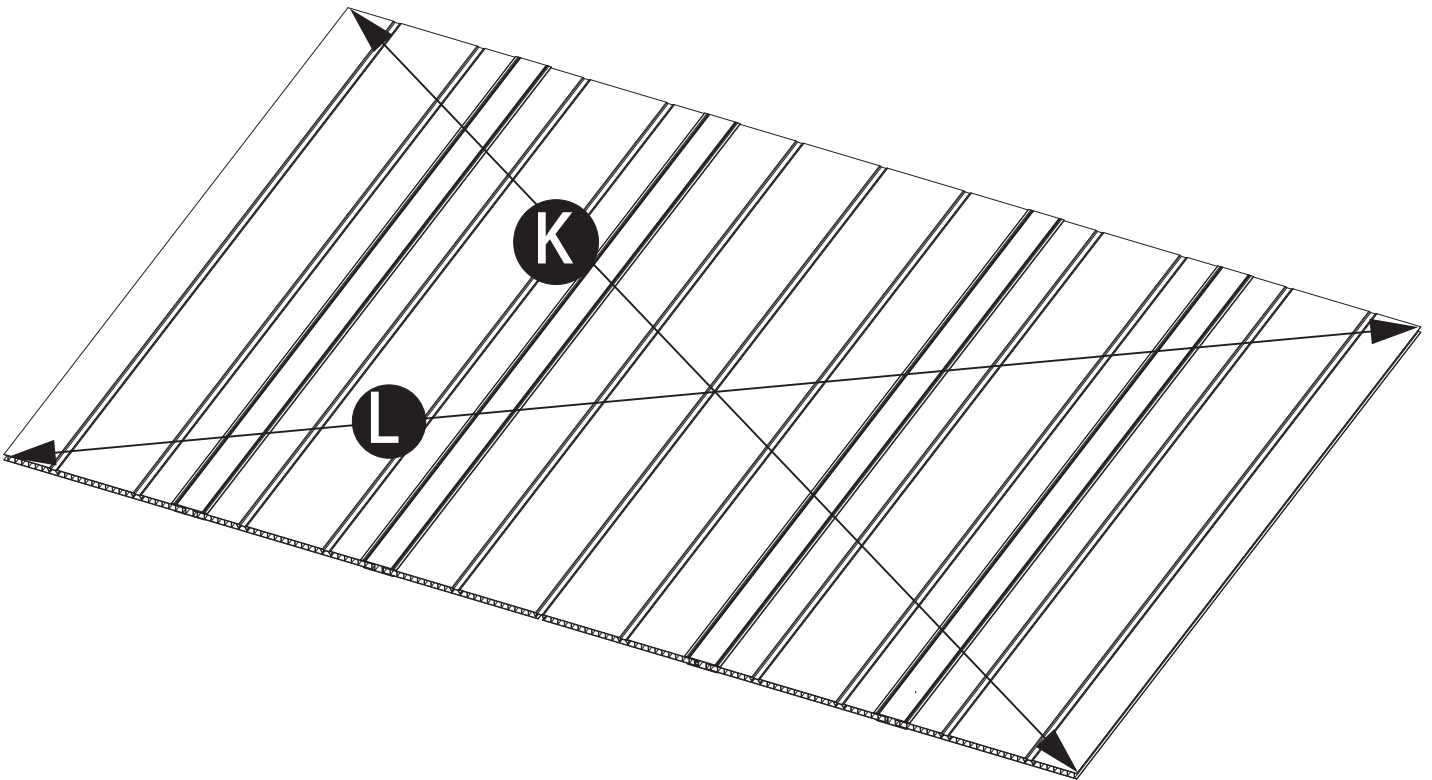


28



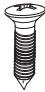
29

$$L=K$$

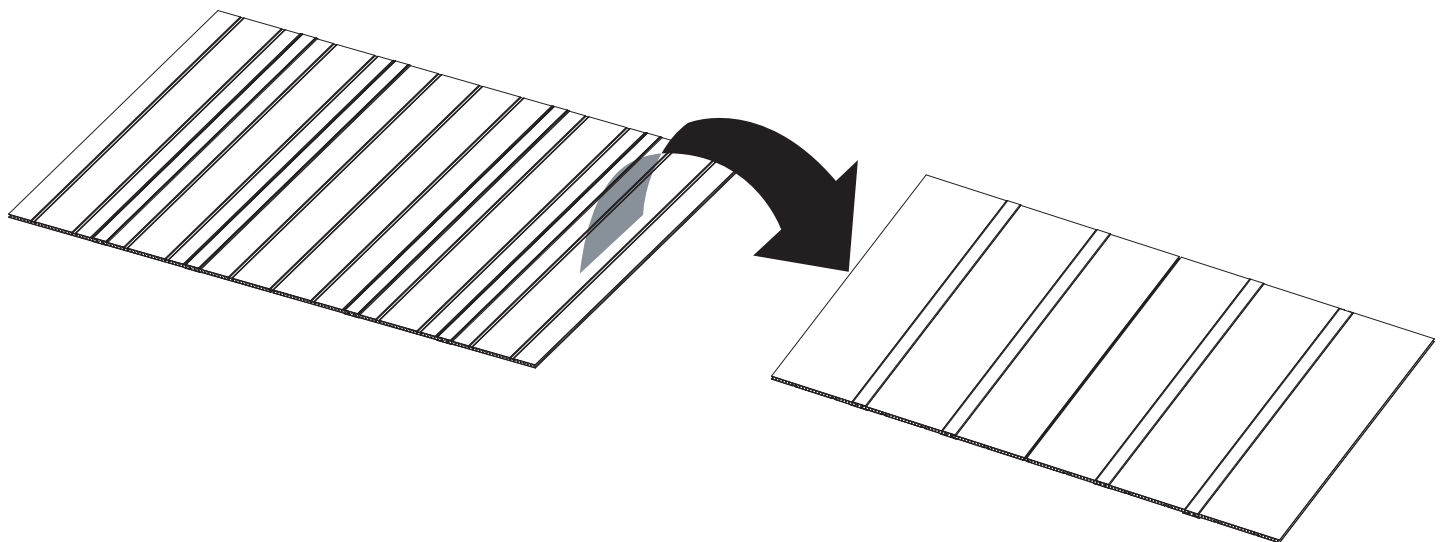
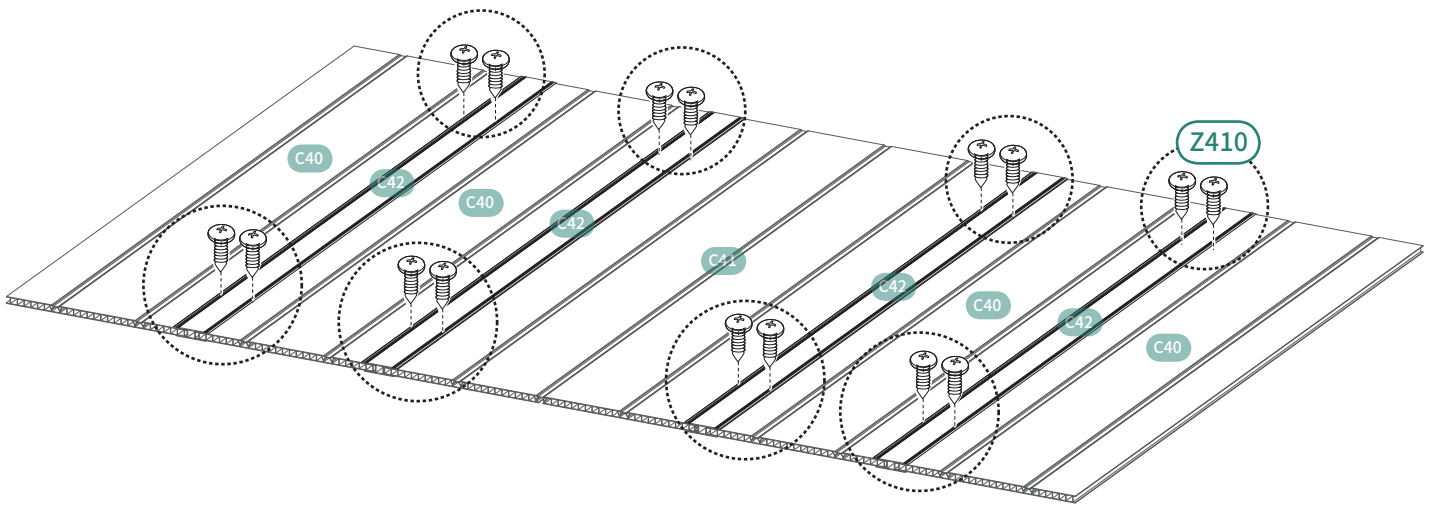
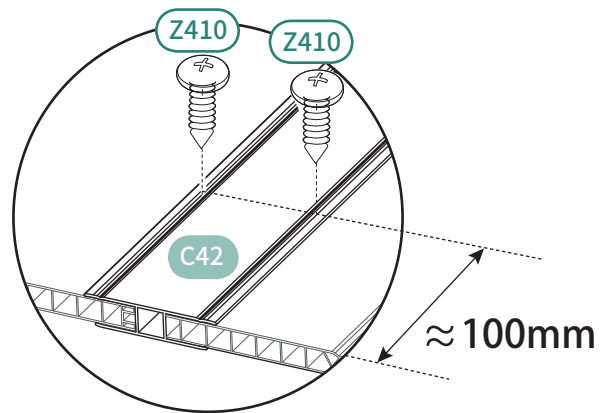


30

ST4 X 10mm



Z410 16pcs



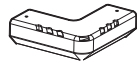
31



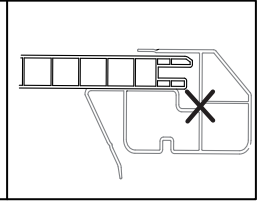
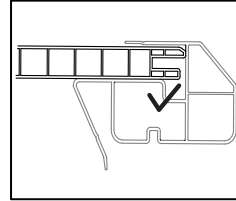
CP6 2pcs



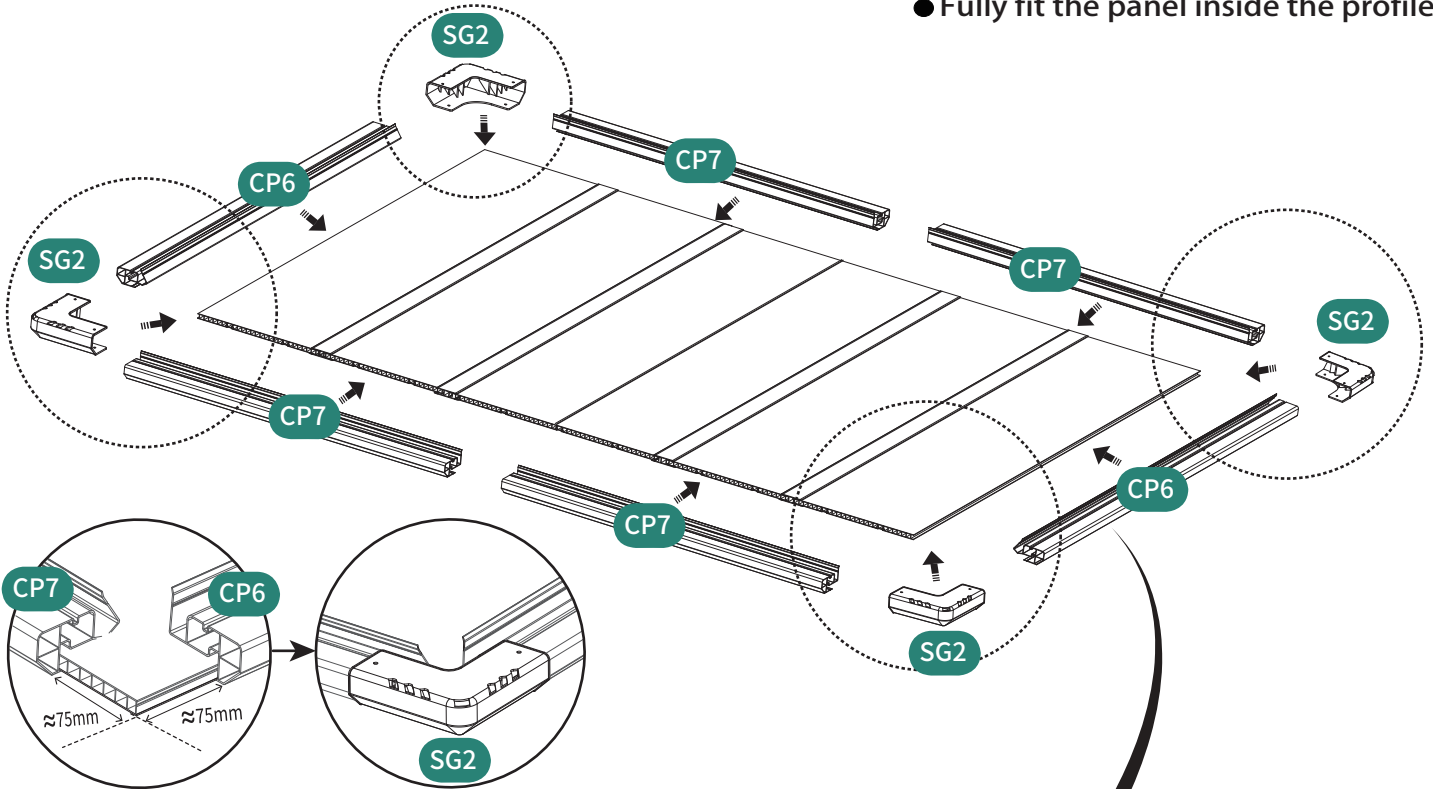
CP7 4pcs



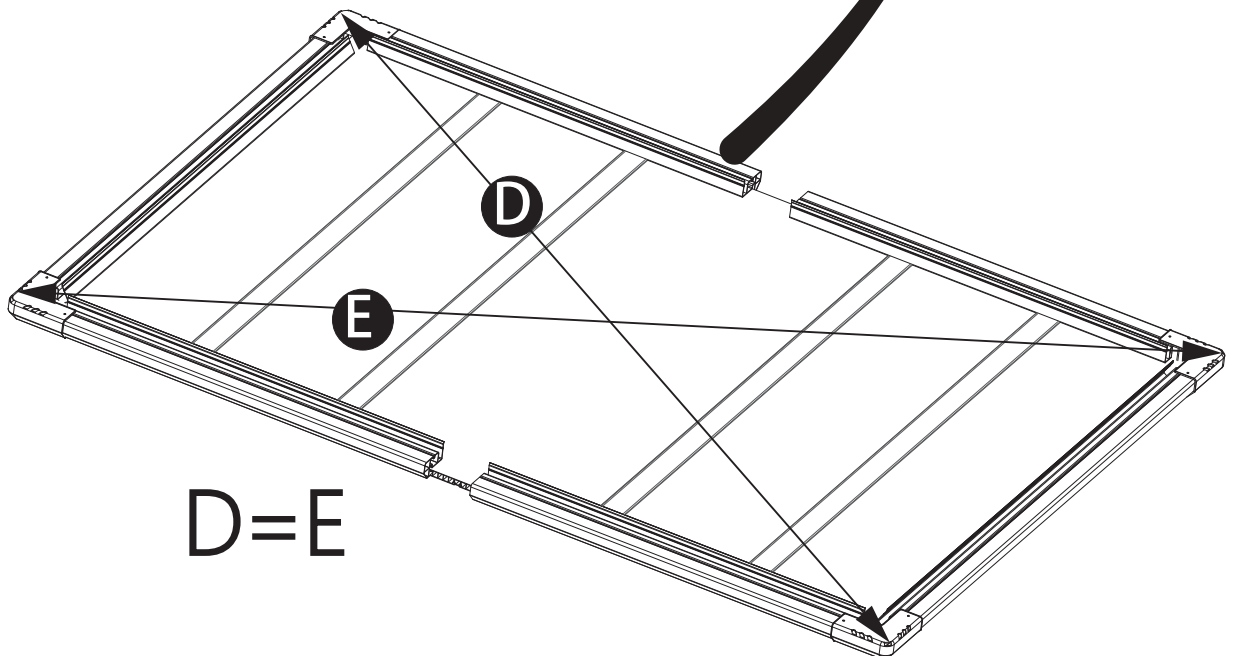
SG2 4pcs



● Fully fit the panel inside the profile.

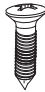


● Please note the measurement dimensions

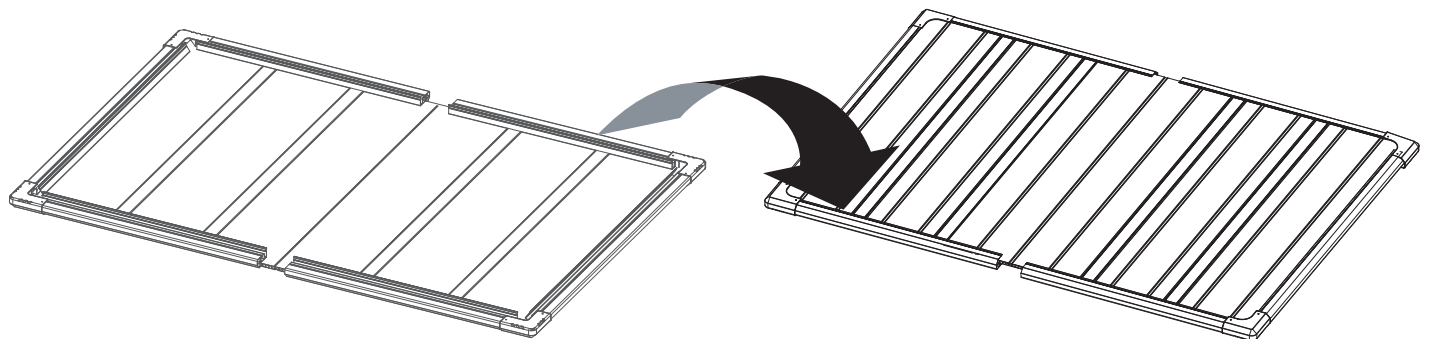
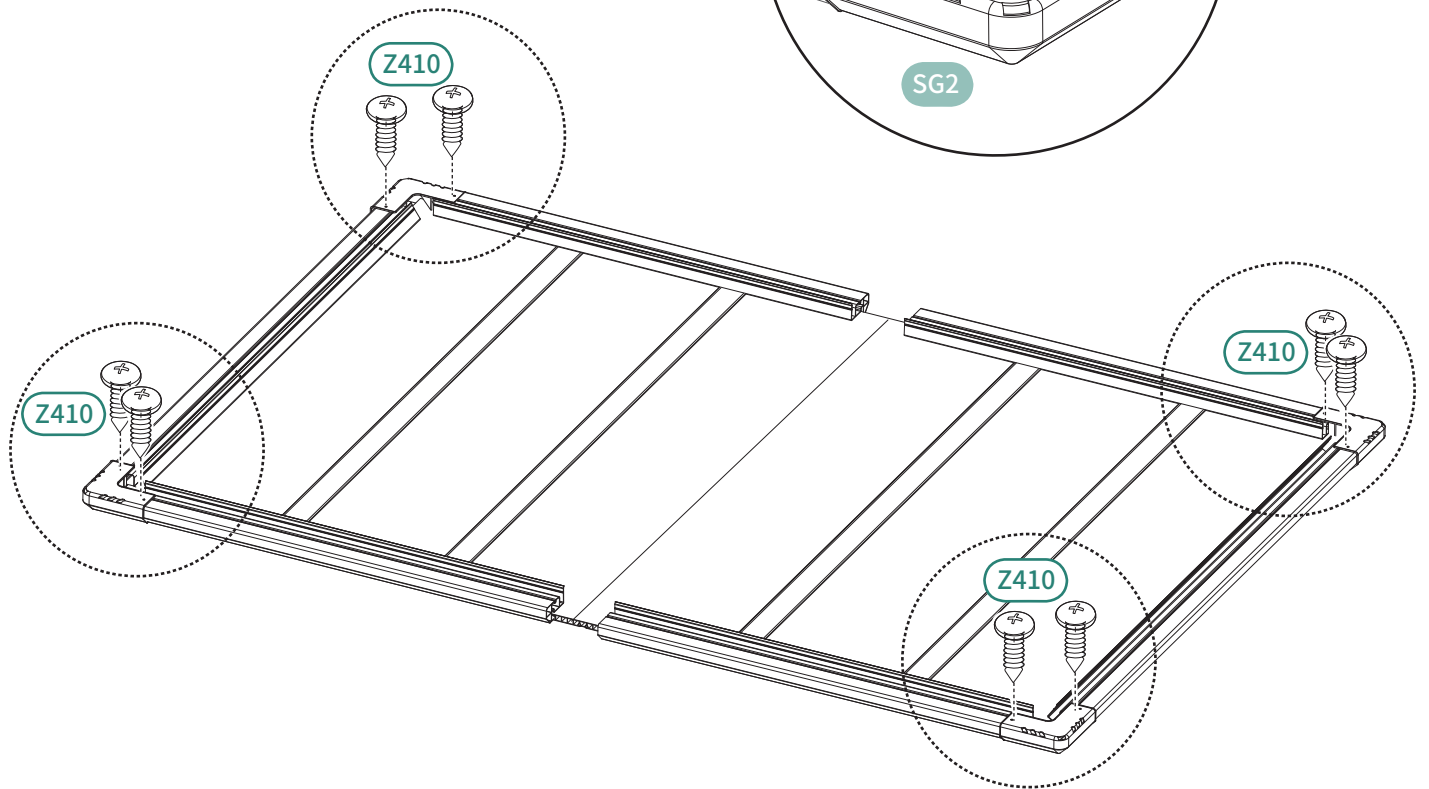
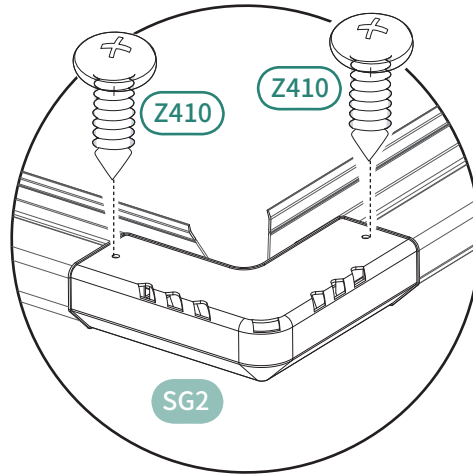


32

ST4 X 10mm



Z410 8pcs



33

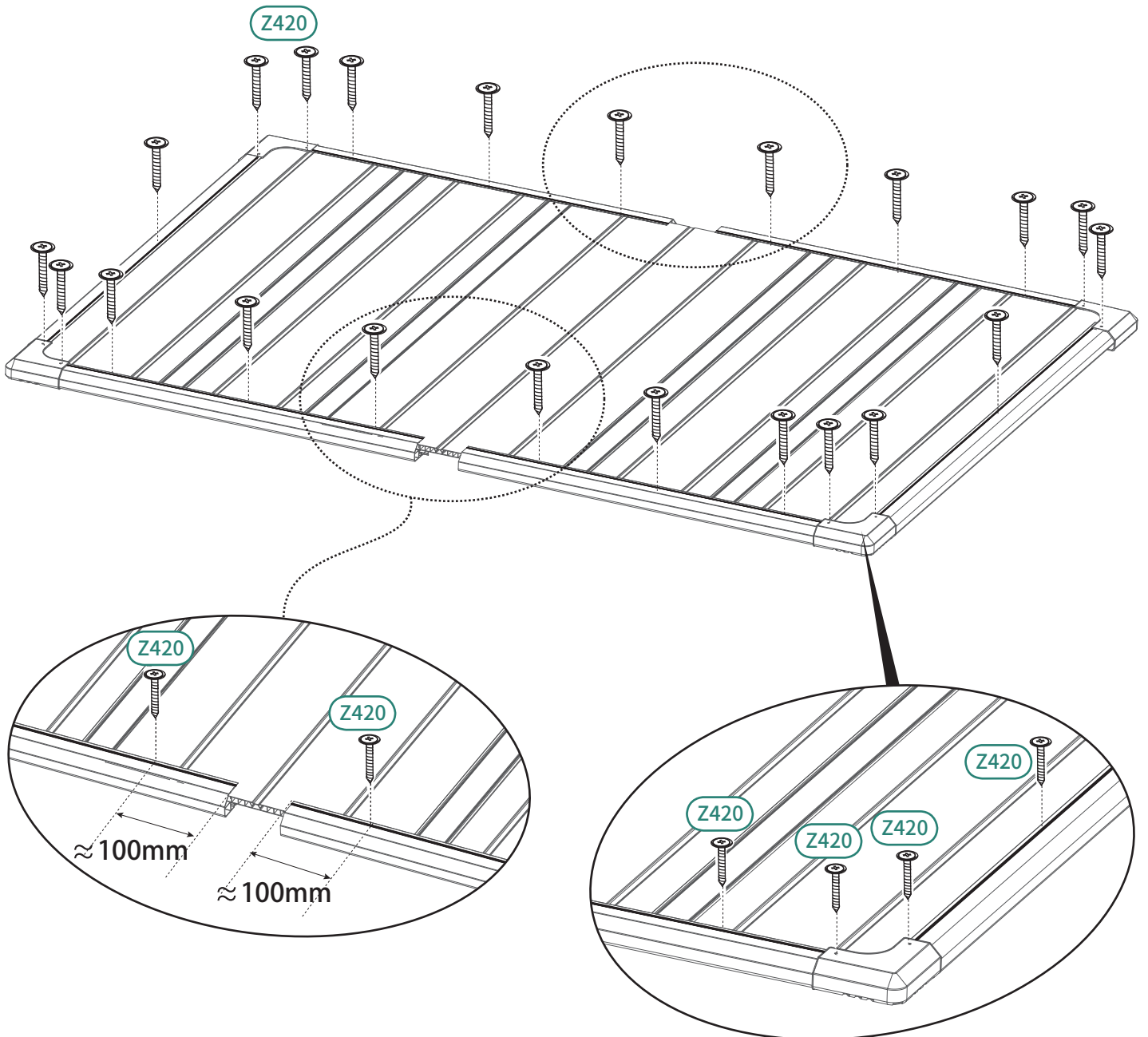
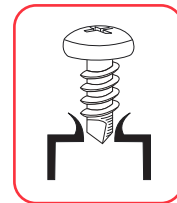
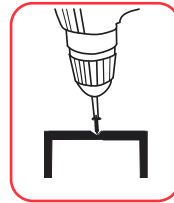
ST4 X 20mm



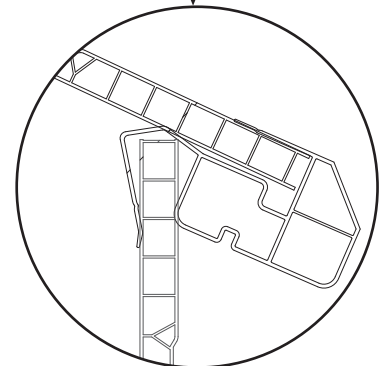
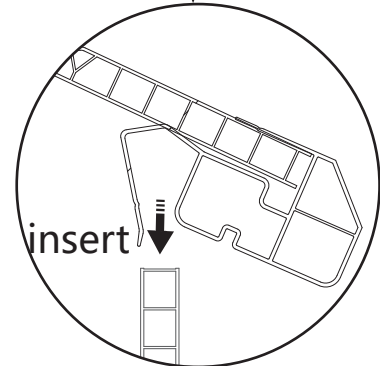
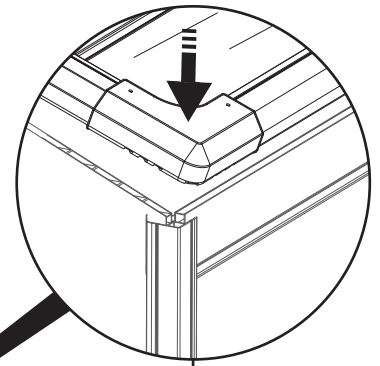
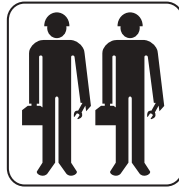
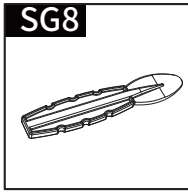
Z420 22pcs

Caution:

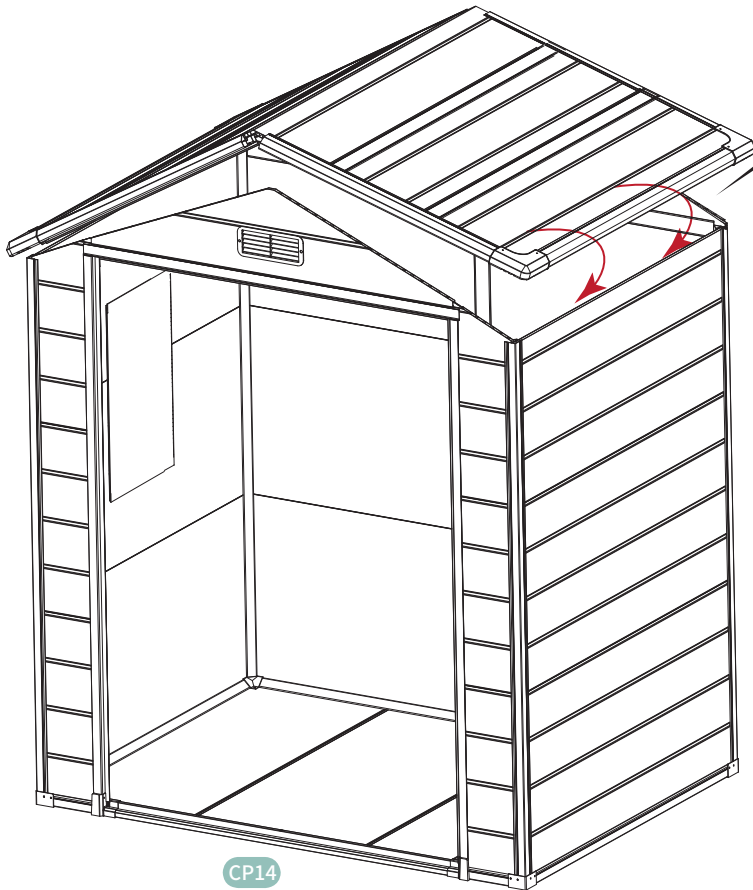
Please use Drill  to predrill a hole at depth 1mm before screw.



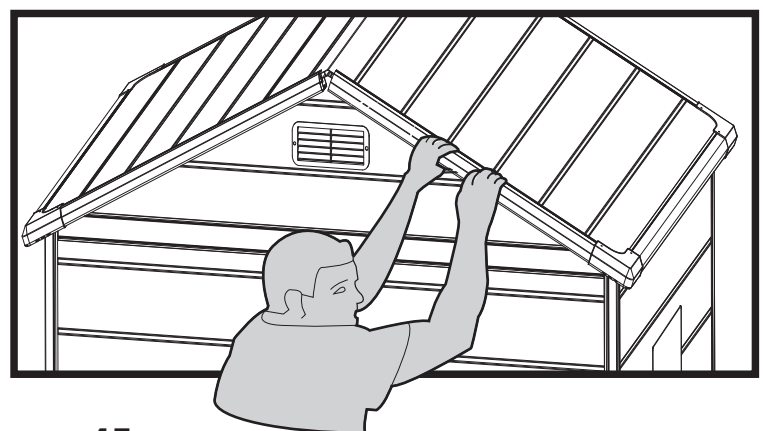
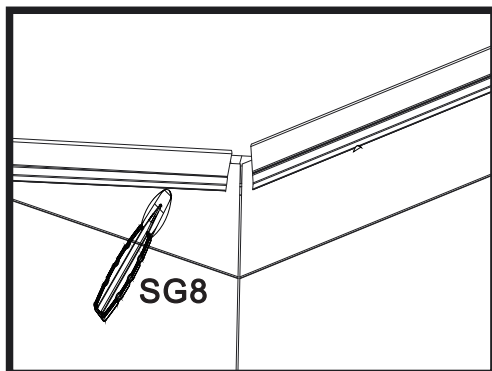
34



Fully fit the panel inside the profile



Fully fit the panels inside the profiles of roof



45

35

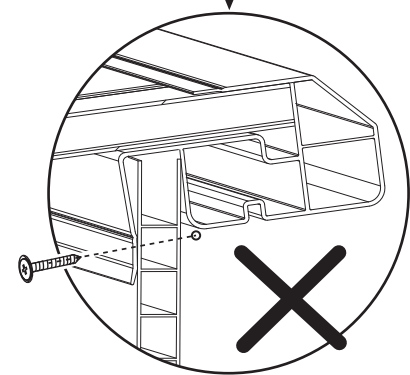
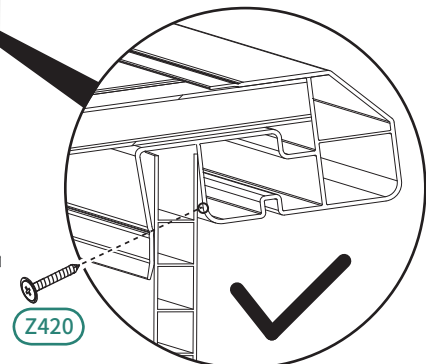
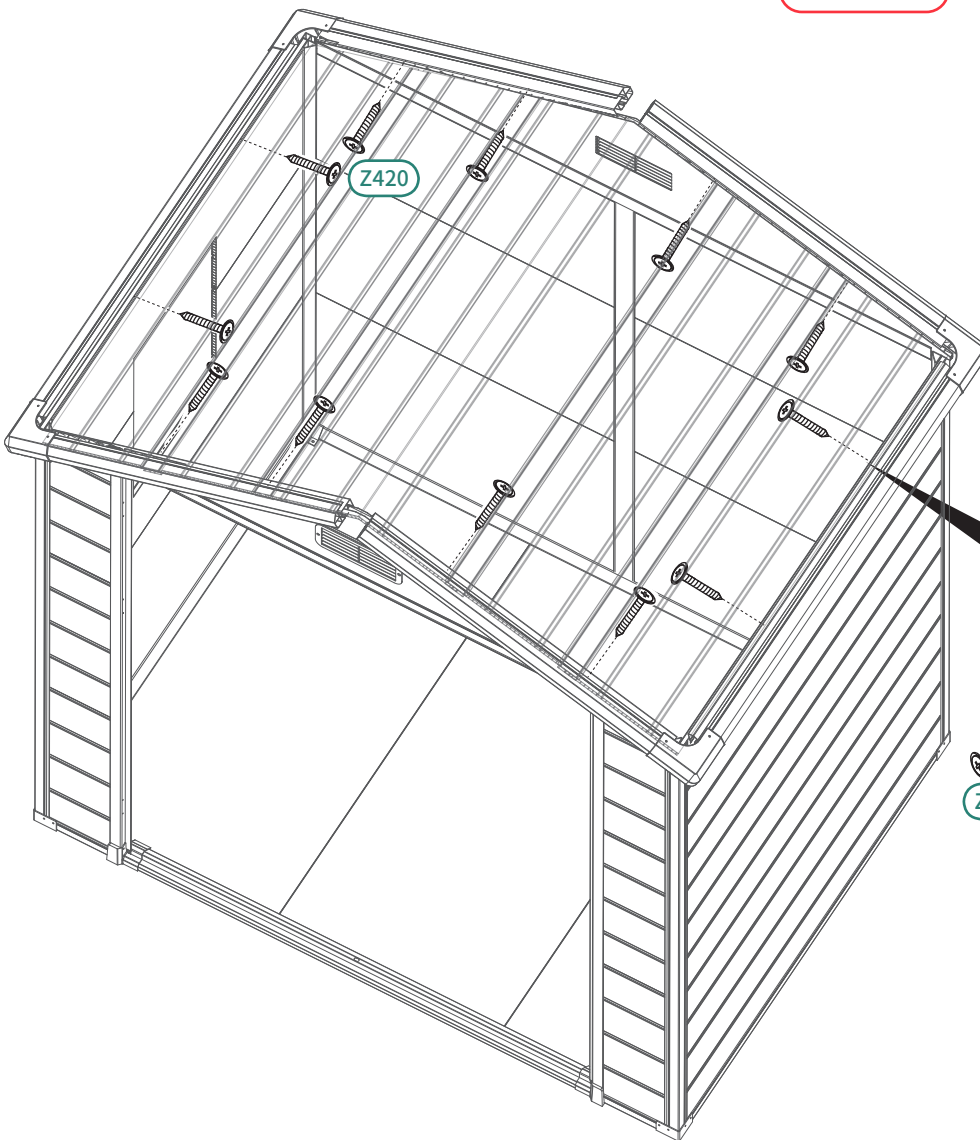
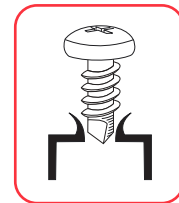
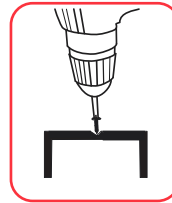
ST4 X 20mm



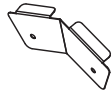
Z420 12pcs

Caution:

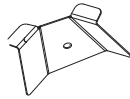
Please use Drill  to predrill a hole at depth 1mm before screw.



36



SG13 2pcs

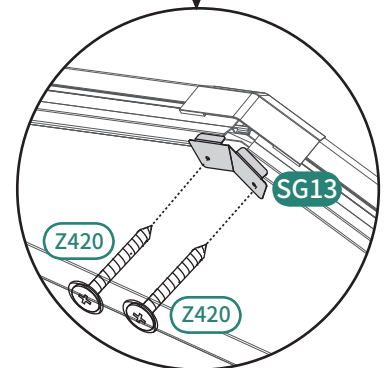
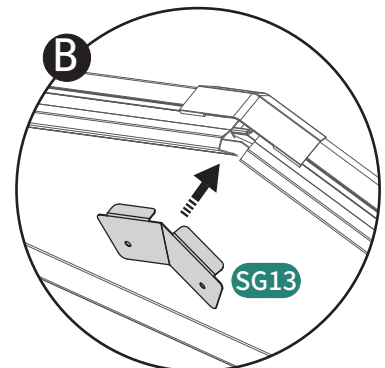
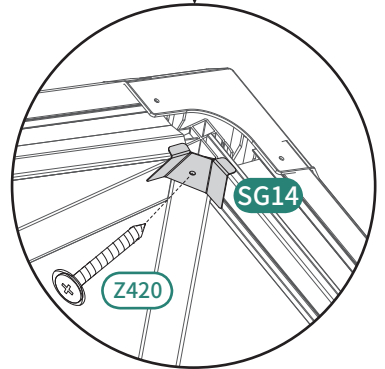
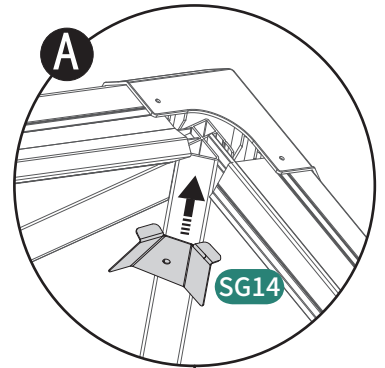
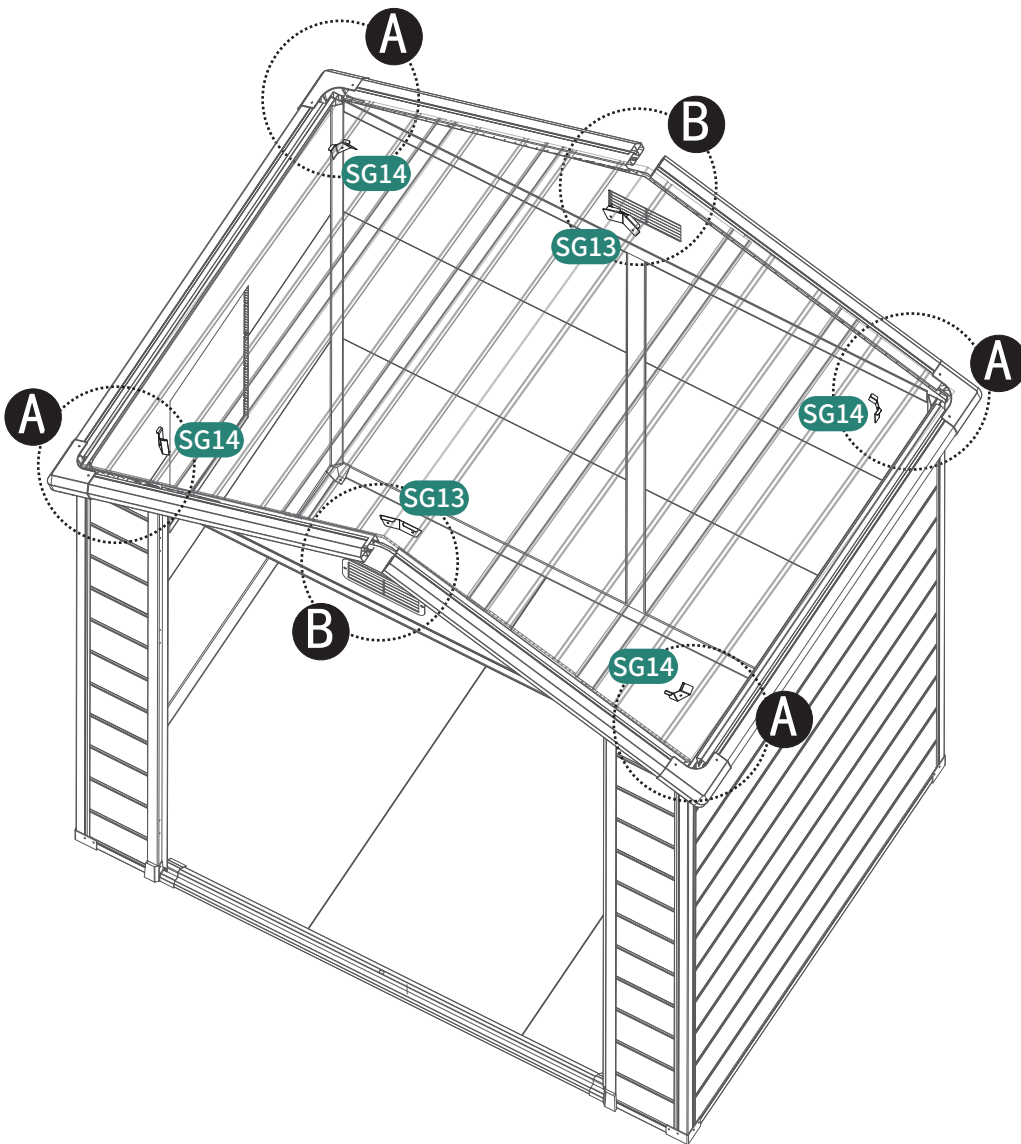


SG14 4pcs

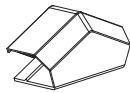
ST4 X 20mm



Z420 8pcs



37

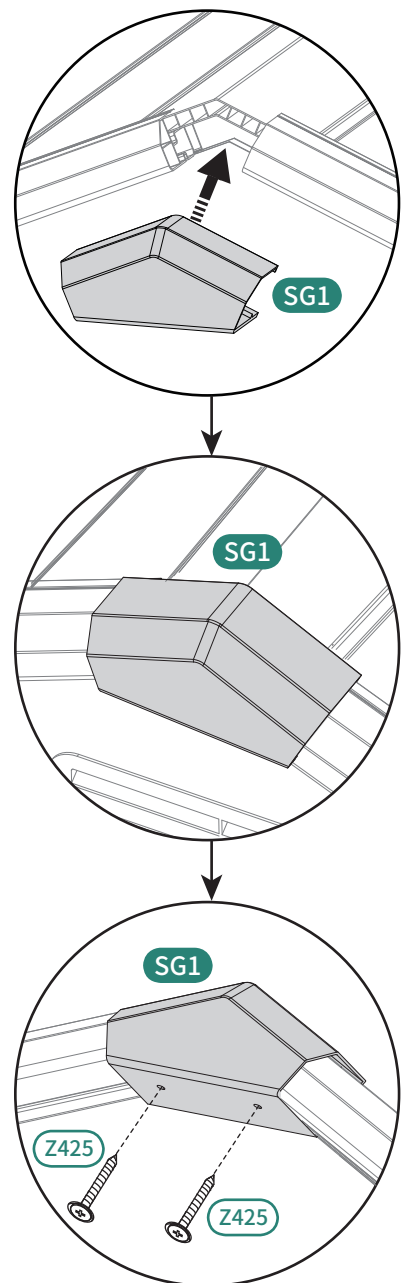
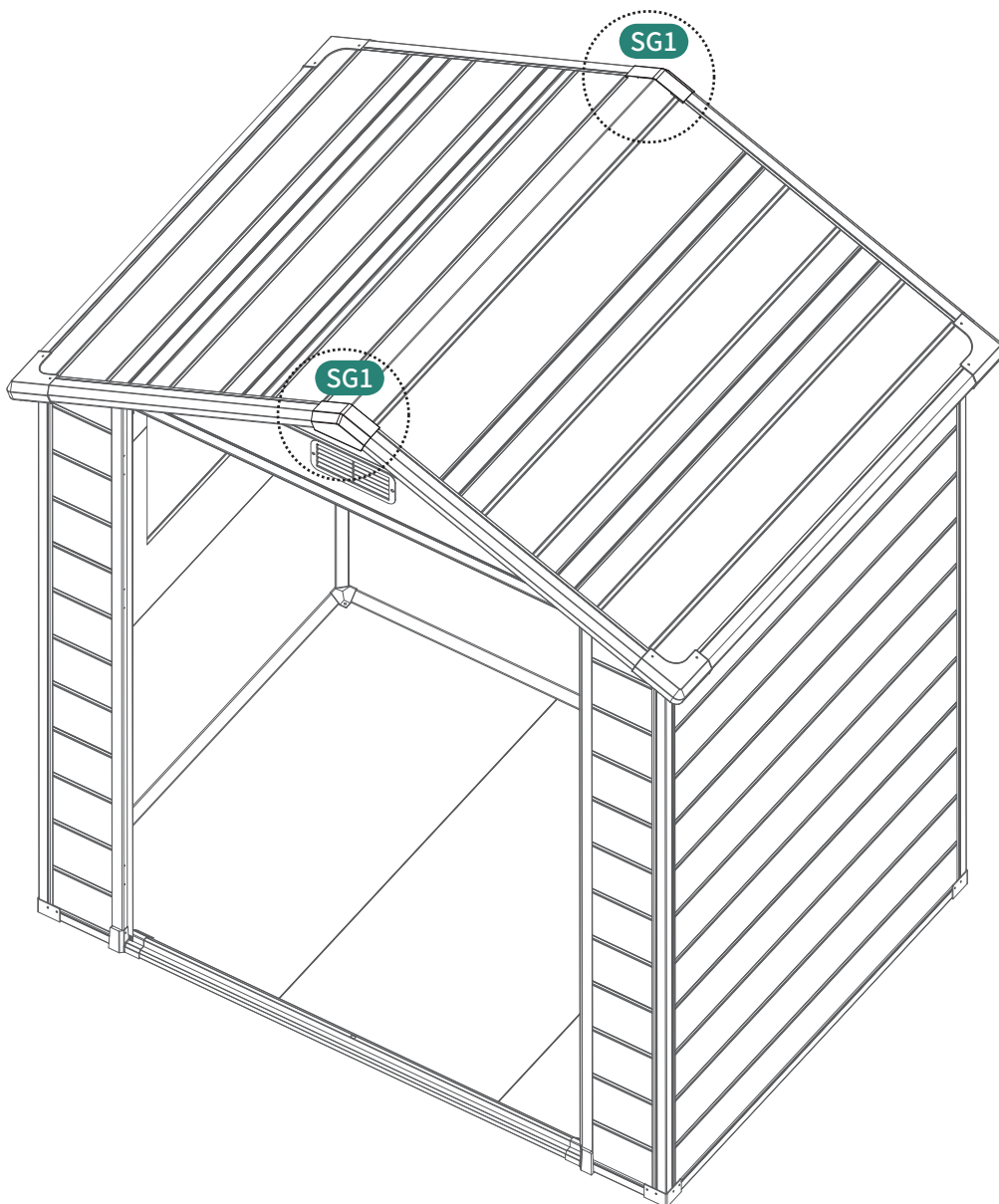


SG1 2pcs

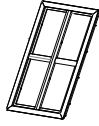
ST4 X 25mm



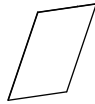
Z425 4pcs



38



SG10 1pc



SG101 1pc



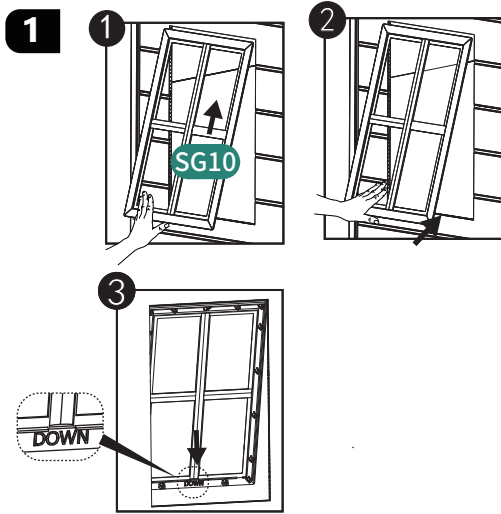
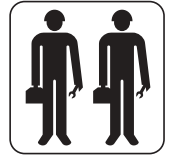
SG102 1pc

ST4 X 10mm

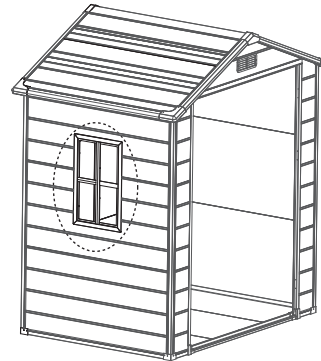


Z410 16pcs

Window section



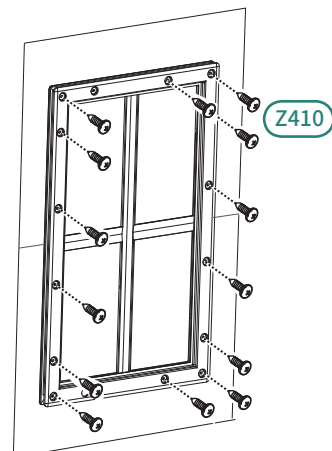
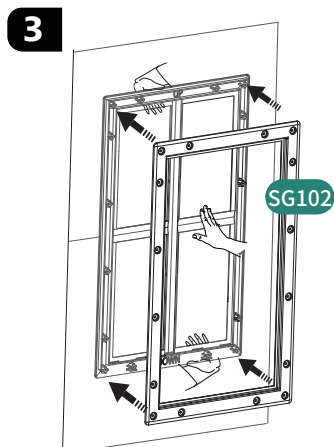
How the Windows look when they are installed



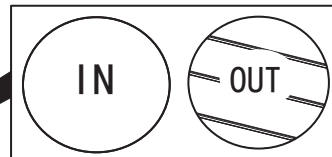
2 • Remove the film before fixing SG101



• Two persons are needed for this step, to press SG10 from outside and inside.

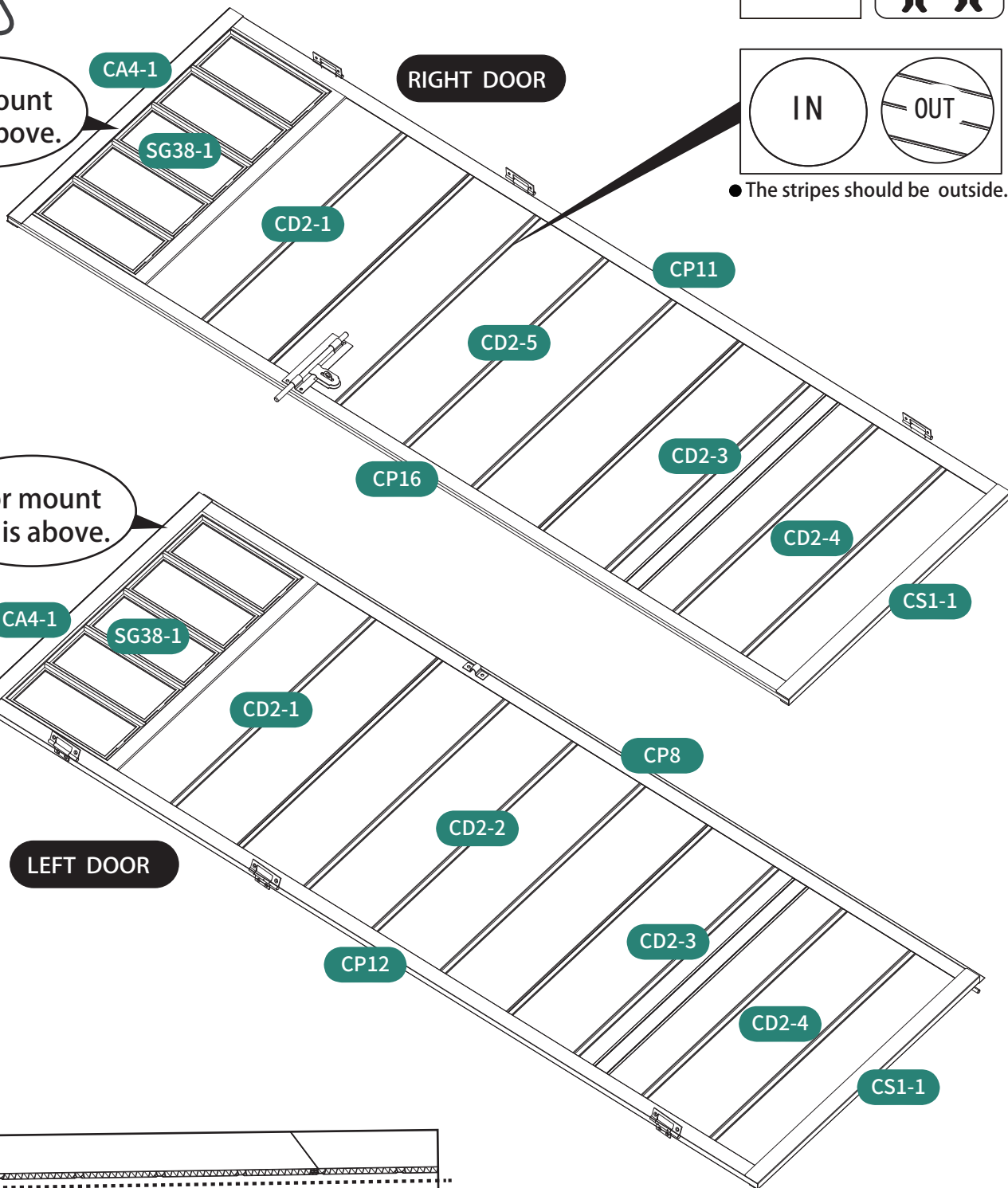


DOOR SECTION



● The stripes should be outside.

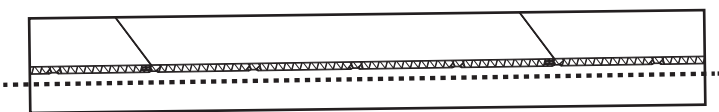
Door mount this is above.



Door mount this is above.

LEFT DOOR

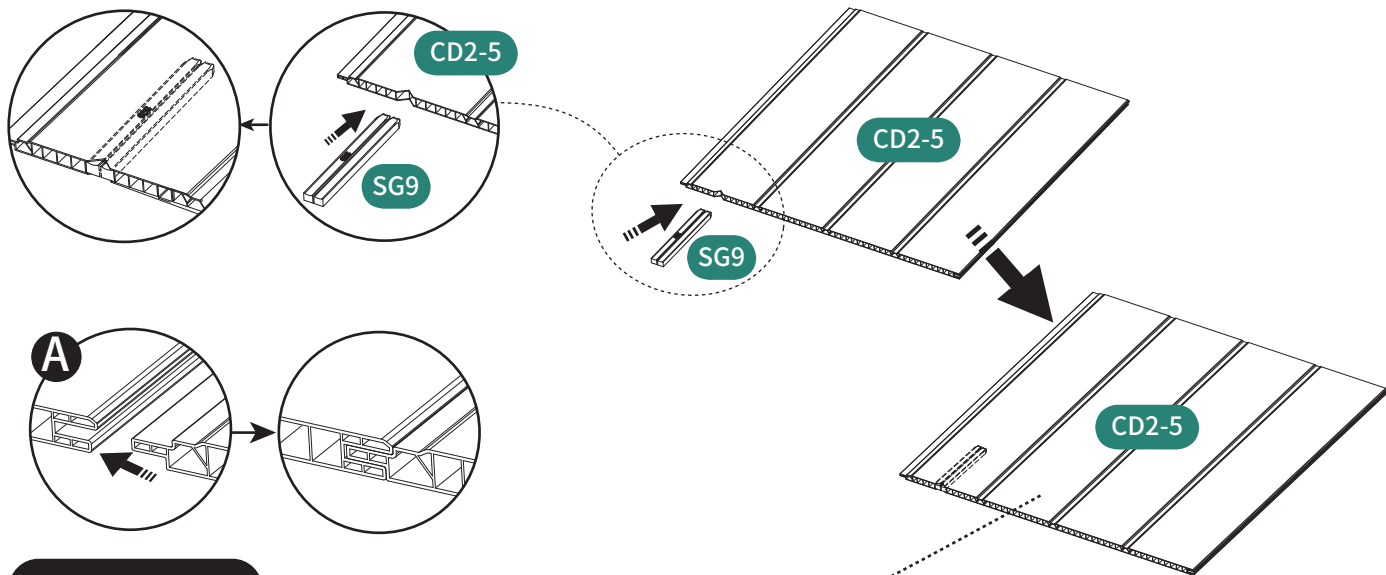
RIGHT DOOR



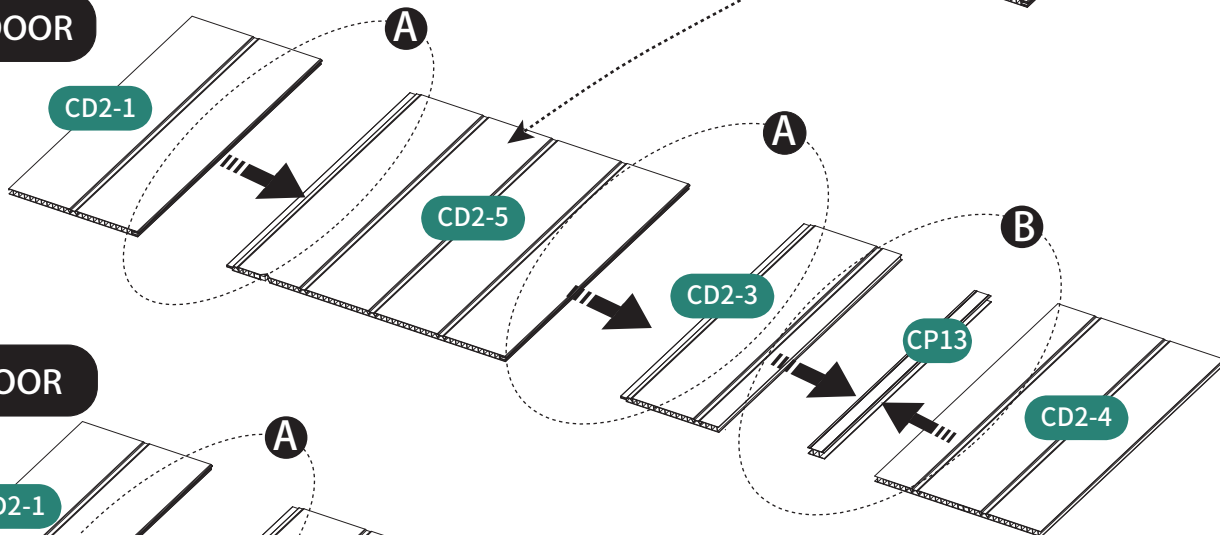
● The boards must be straight

39

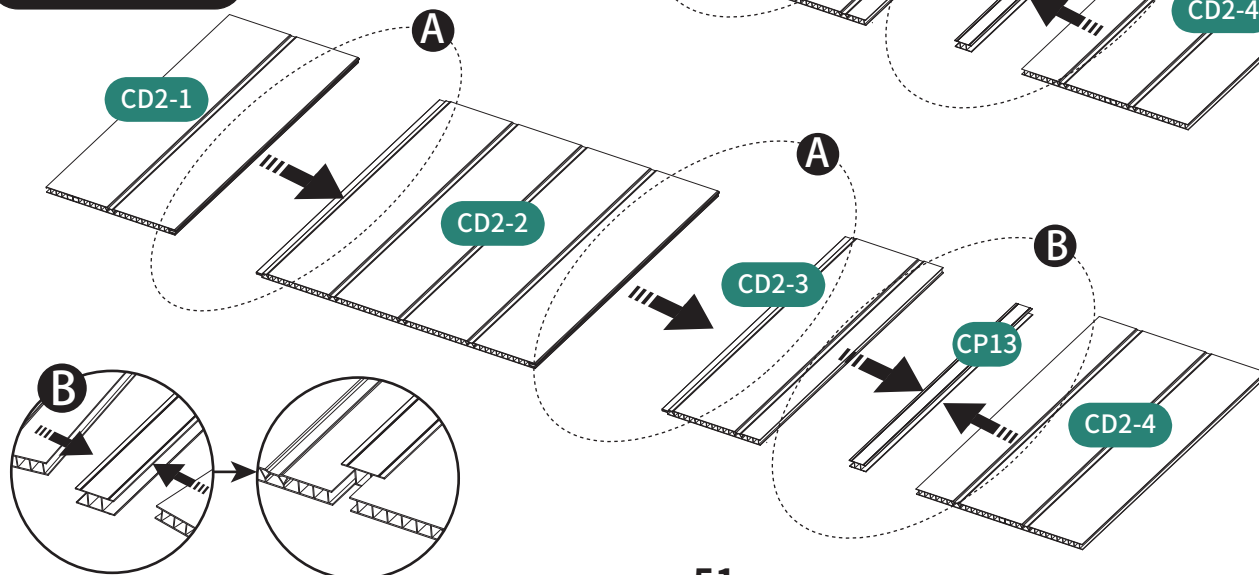
- CD2-1 2pcs
- CD2-2 1pc
- CD2-3 2pcs
- CD2-4 2pcs
- CD2-5 1pc
- CP13 2pcs
- SG9 1pc



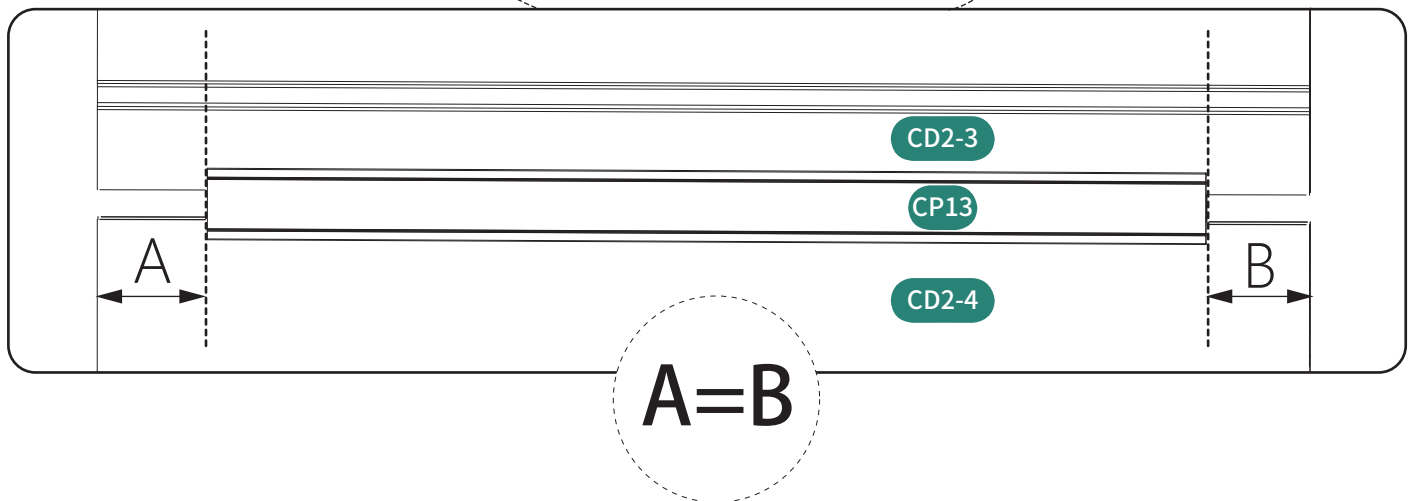
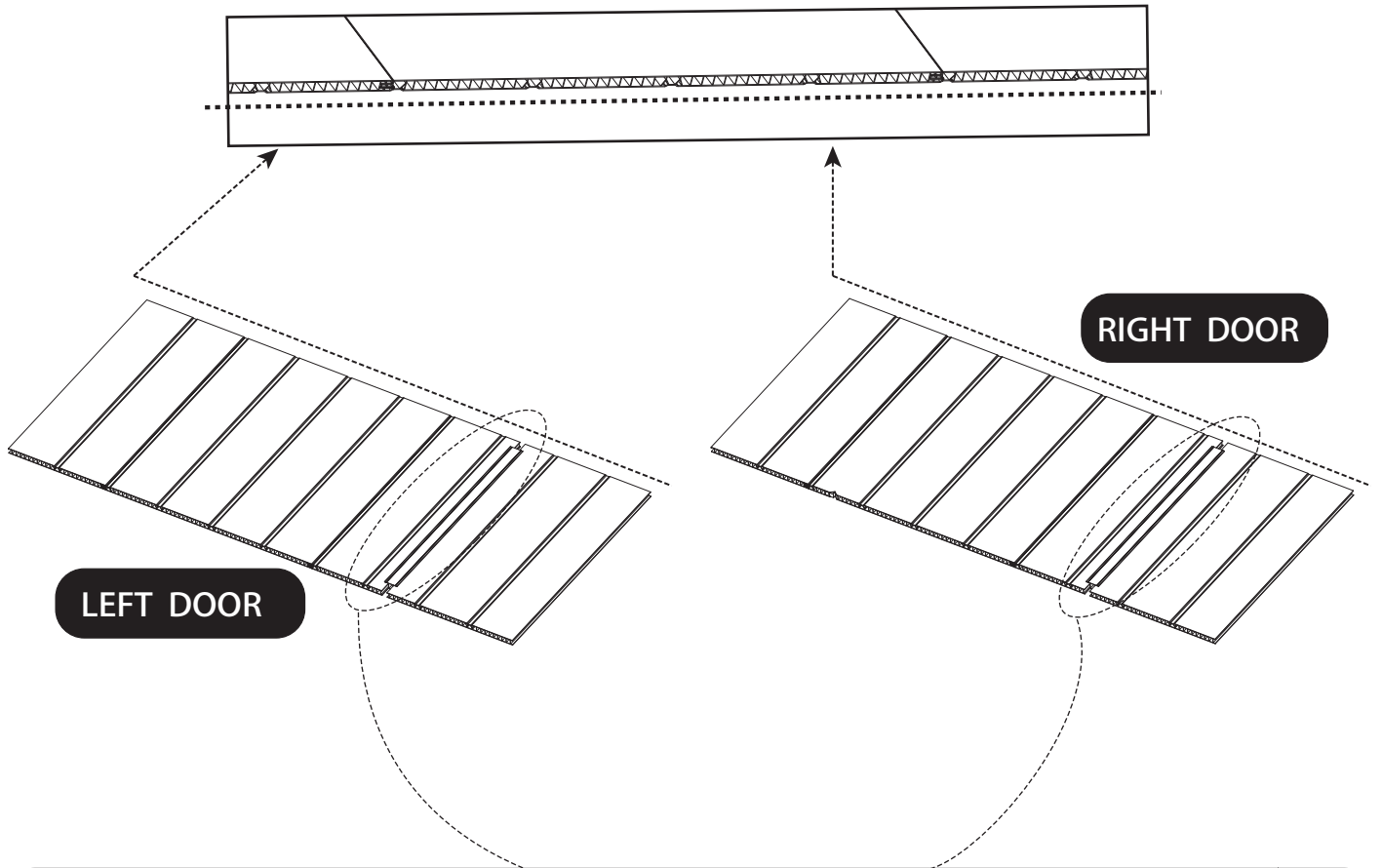
RIGHT DOOR



LEFT DOOR

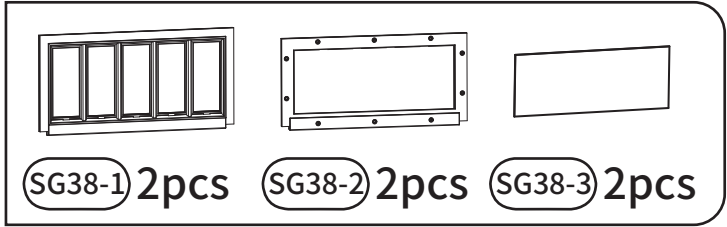


40

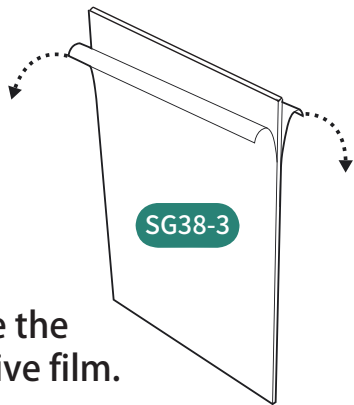


41

X2

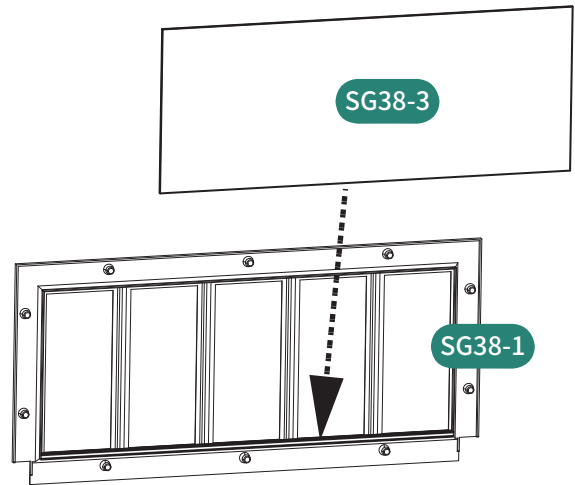


1

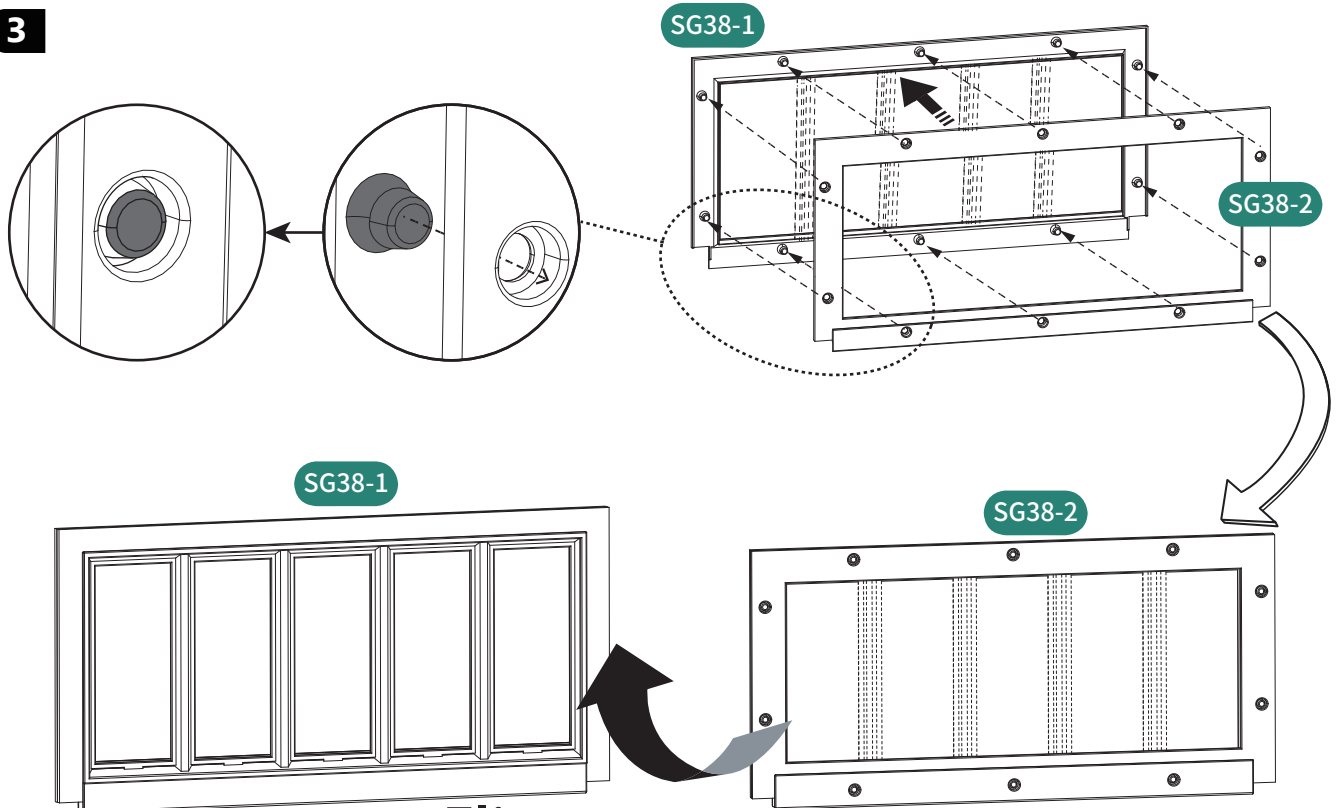


● Remove the protective film.

2



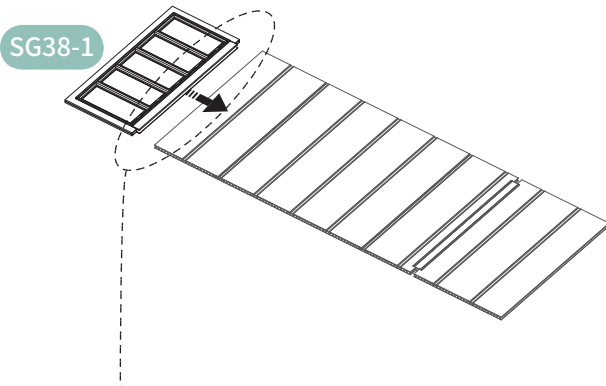
3



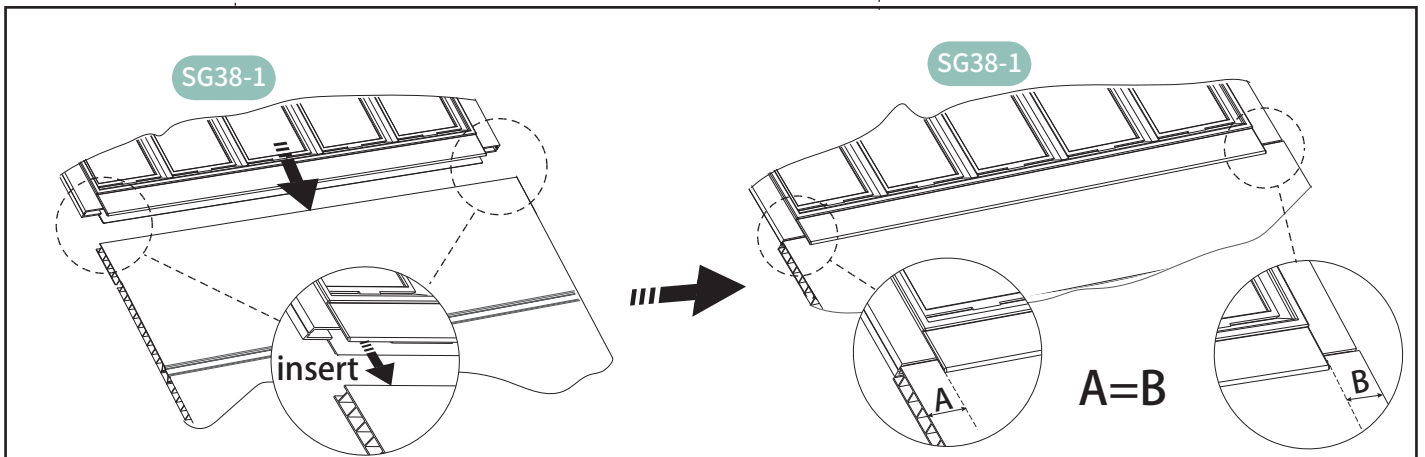
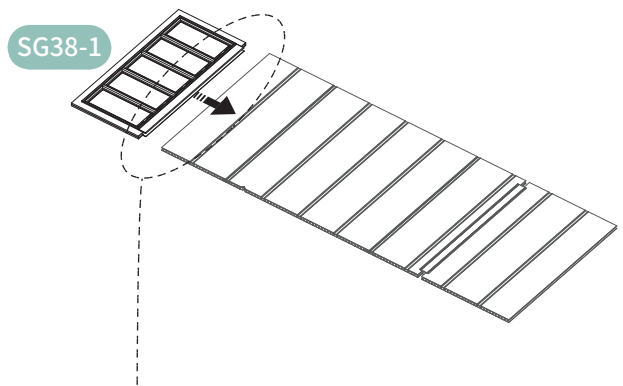
Flip over.

42

LEFT DOOR



RIGHT DOOR



43



CP8 1pc



CP11 1pc

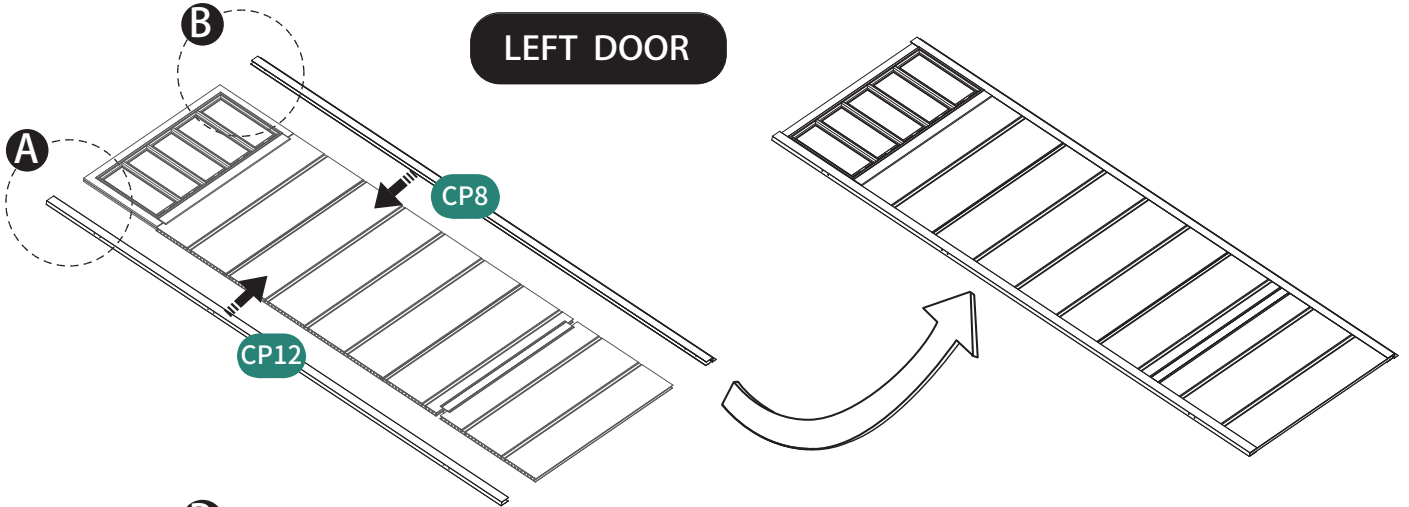


CP12 1pc

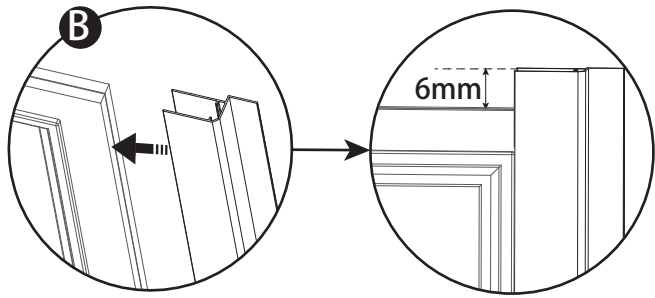
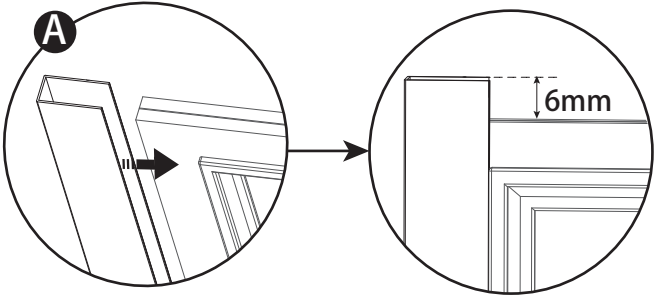
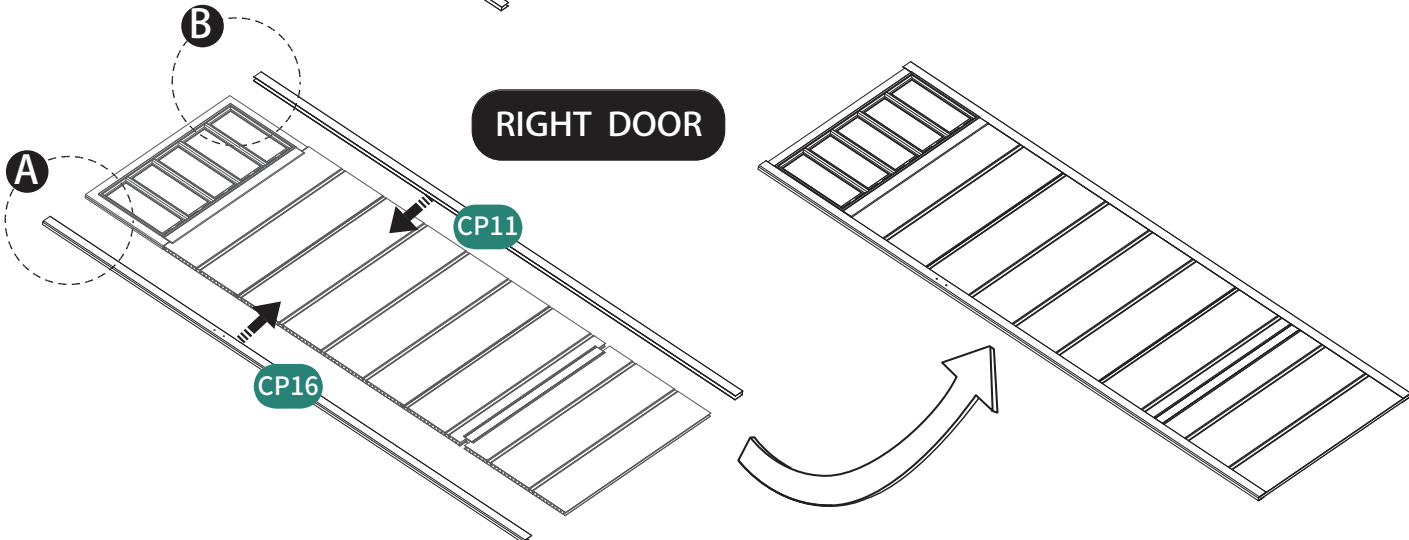


CP16 1pc

LEFT DOOR



RIGHT DOOR



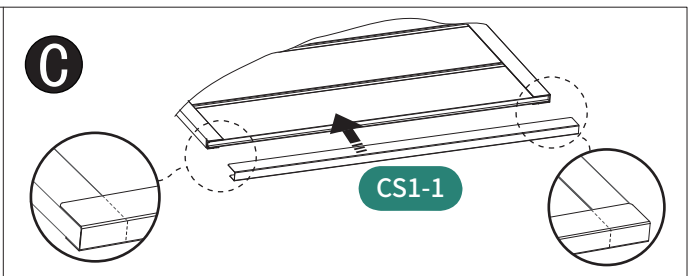
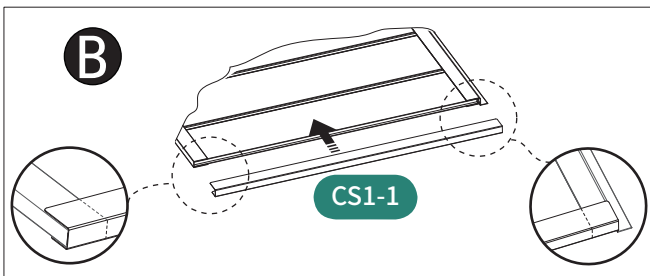
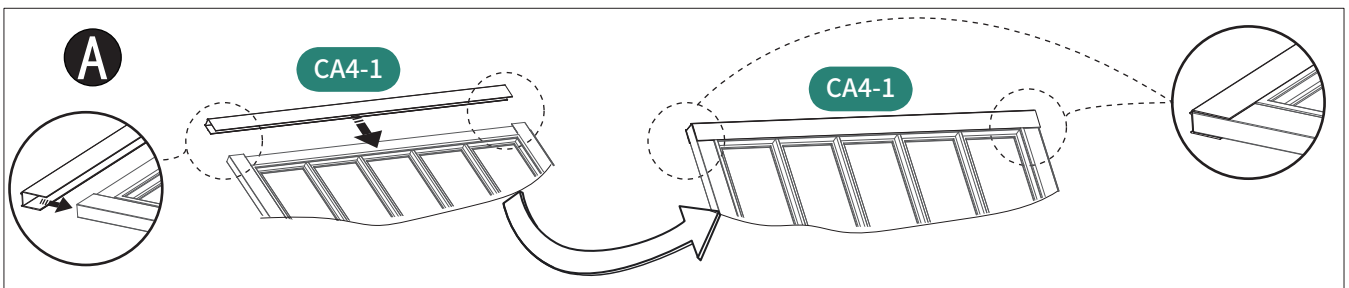
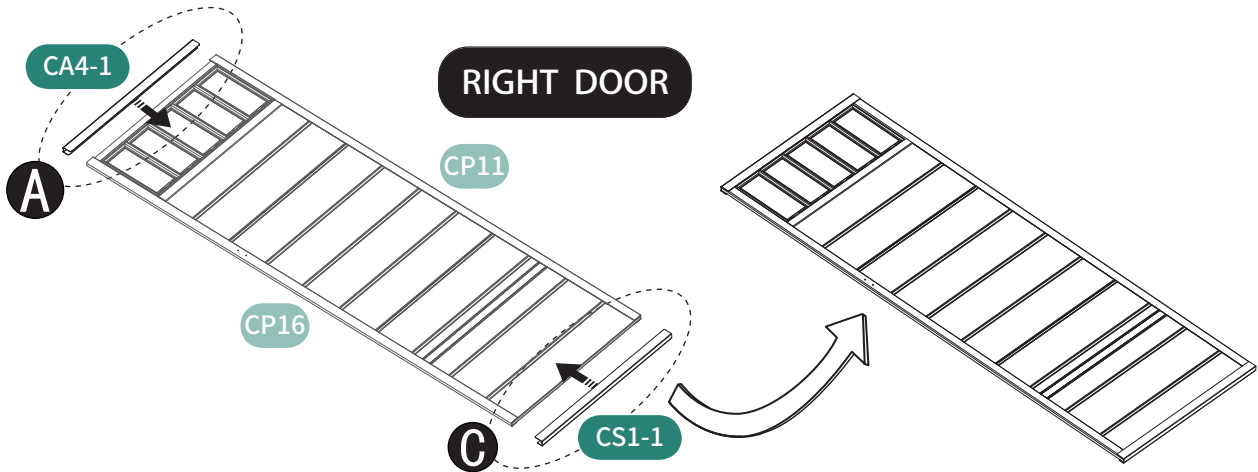
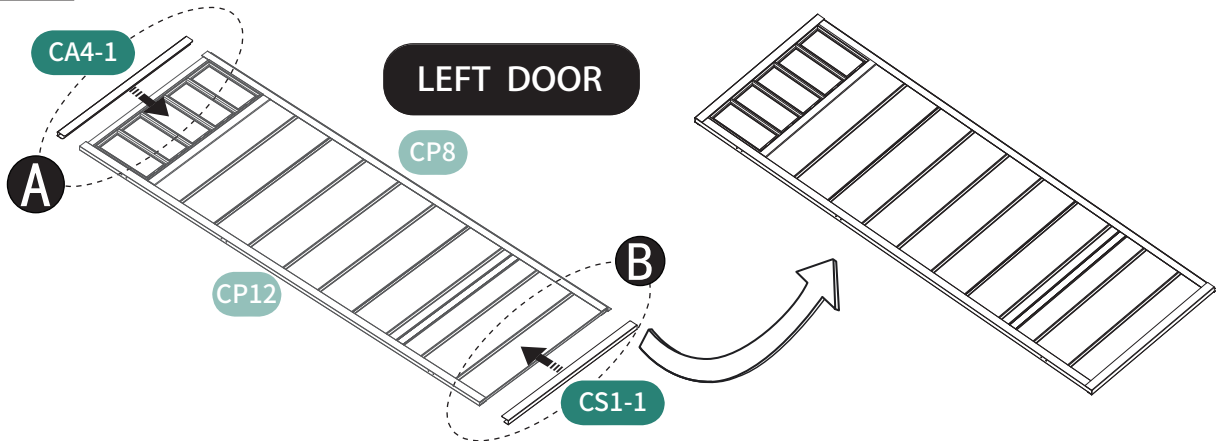
44



CA4-1 2pcs



CS1-1 2pcs

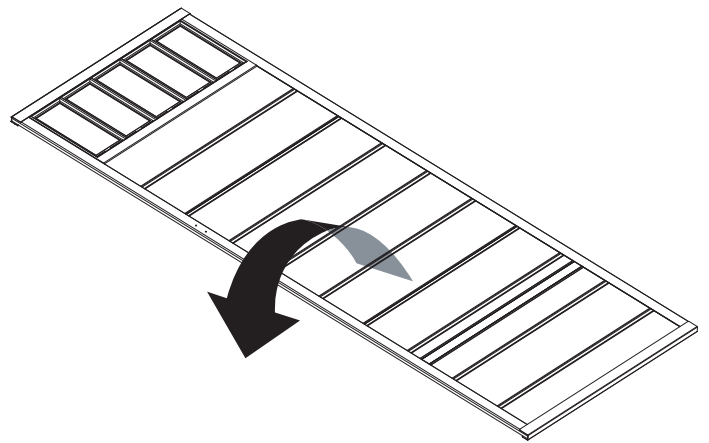
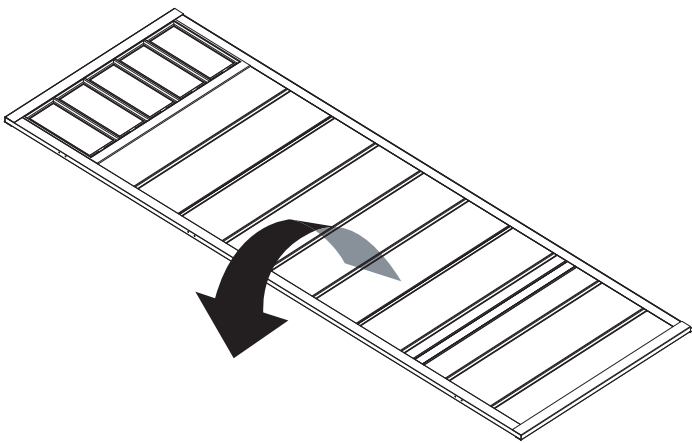


45

Flip over.

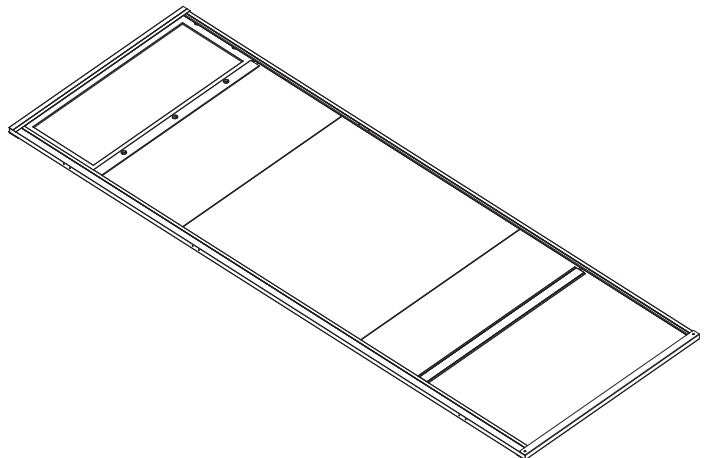
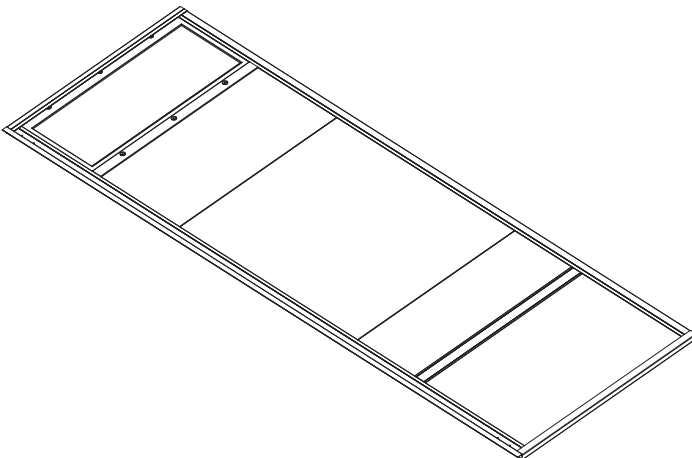
LEFT DOOR

RIGHT DOOR

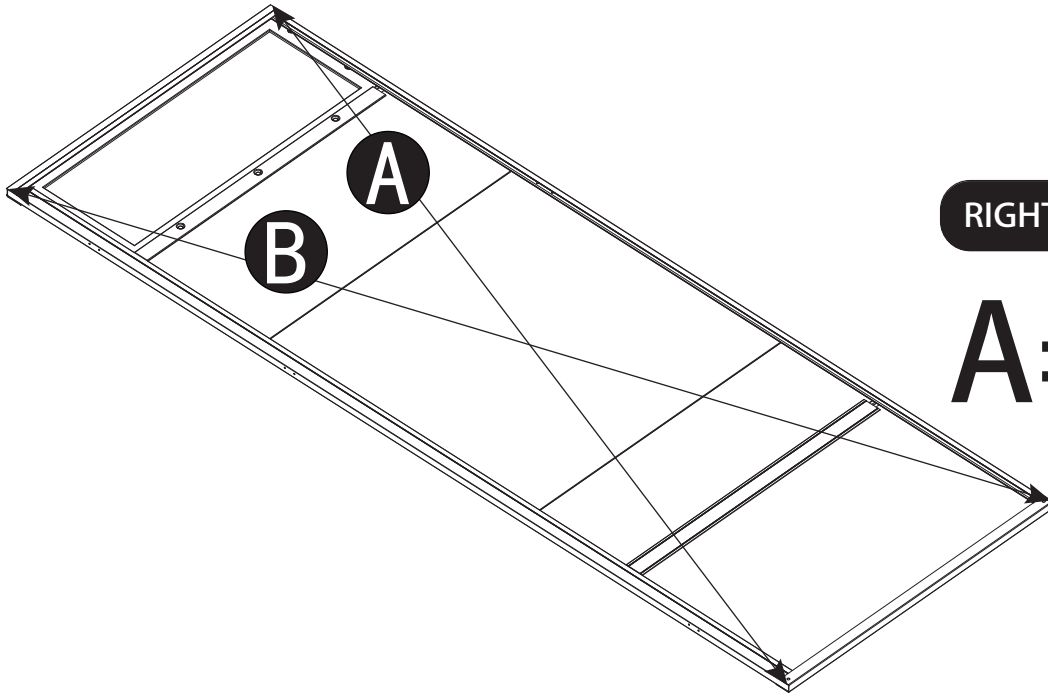


LEFT DOOR

RIGHT DOOR

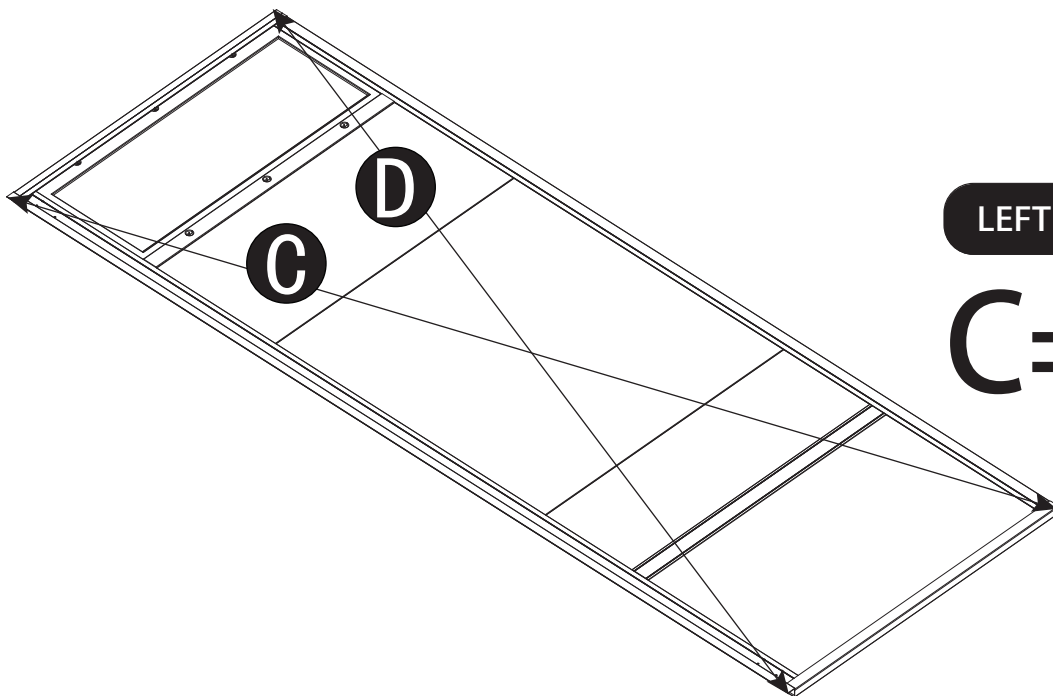


46



RIGHT DOOR

$$A=B$$



LEFT DOOR

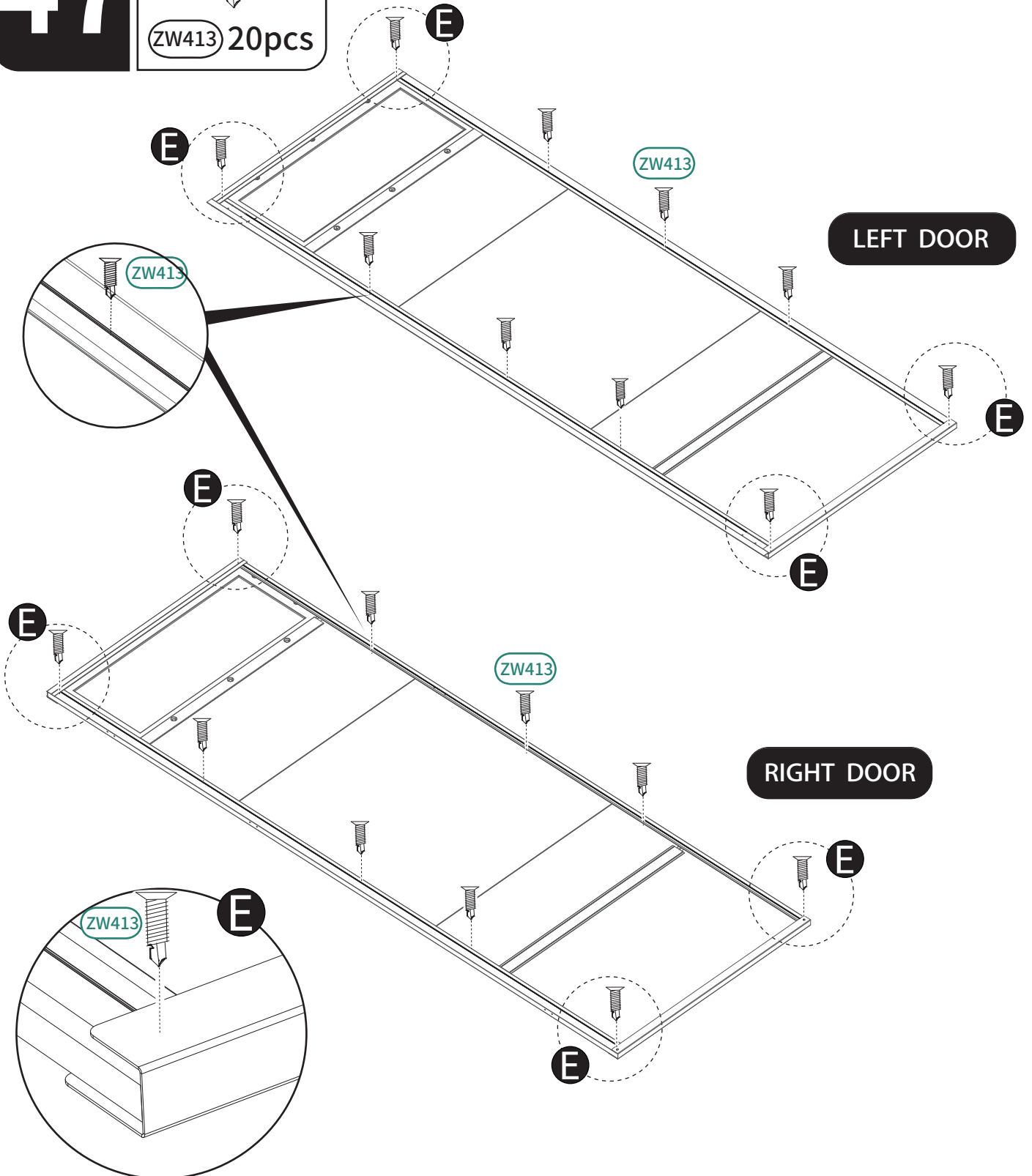
$$C=D$$

47

ST4 X 13mm



ZW413 20pcs

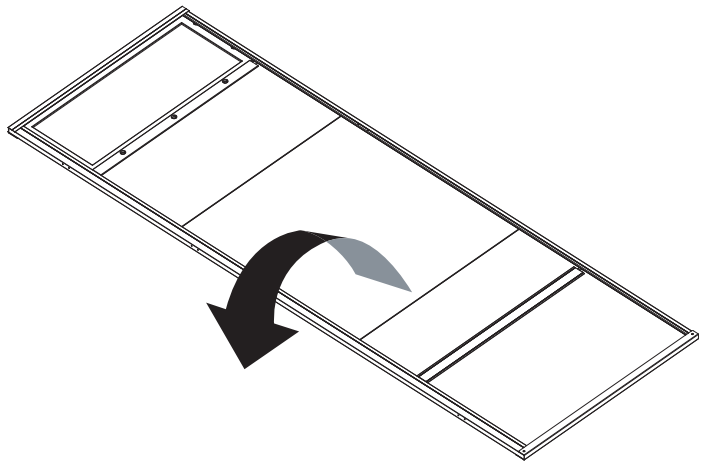
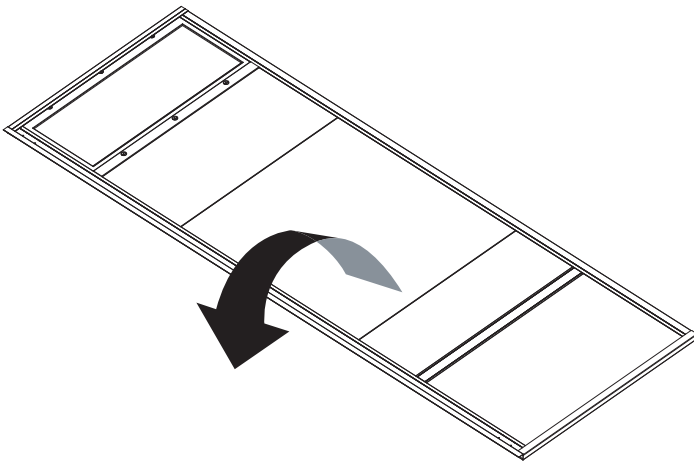


48

Flip over.

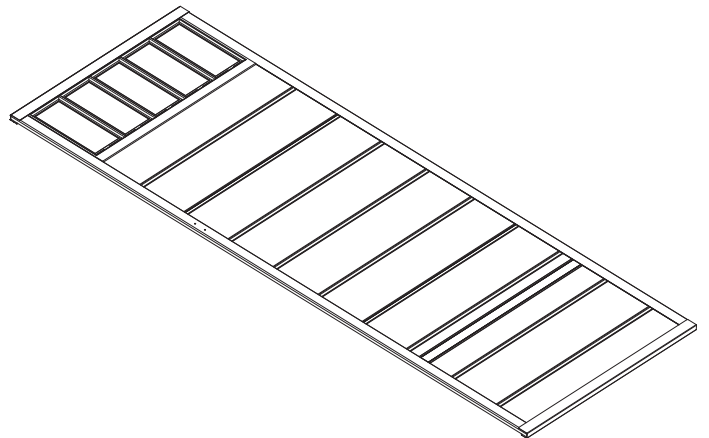
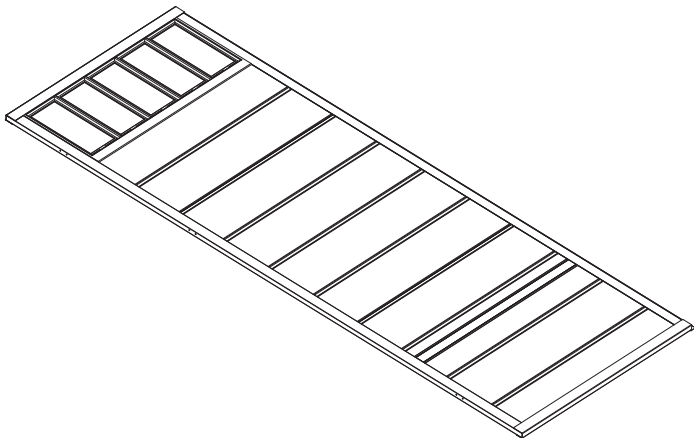
LEFT DOOR

RIGHT DOOR



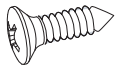
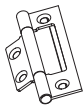
LEFT DOOR

RIGHT DOOR



49

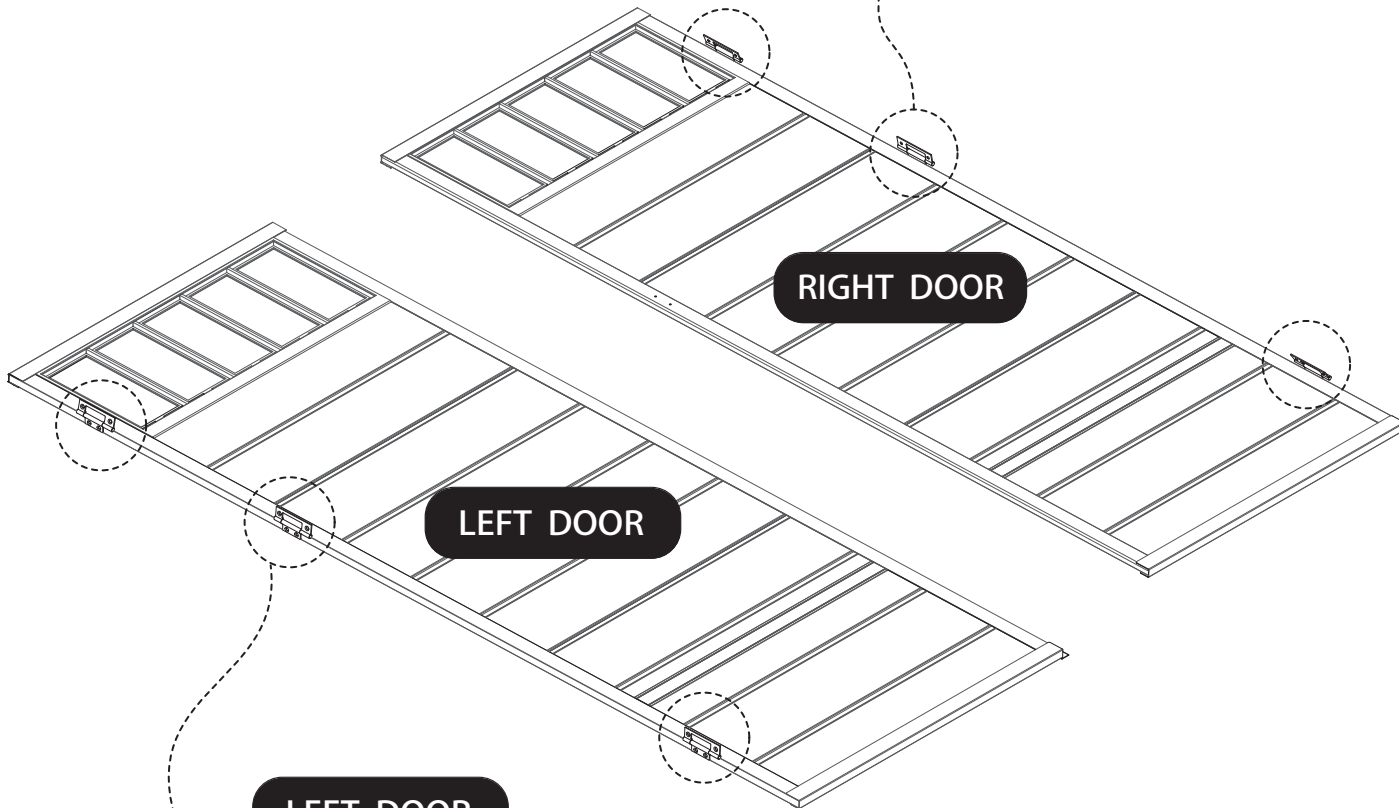
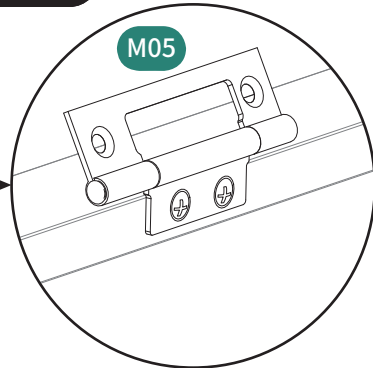
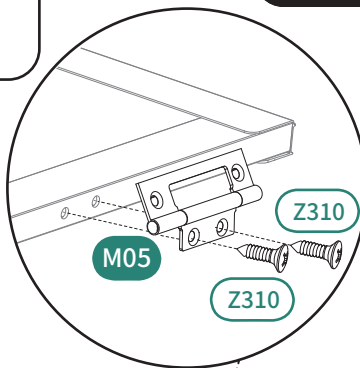
ST3 X 10mm



M05 6pcs

Z310 12pcs

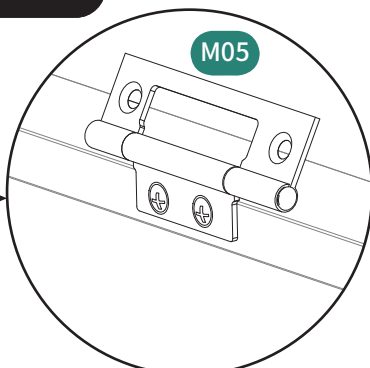
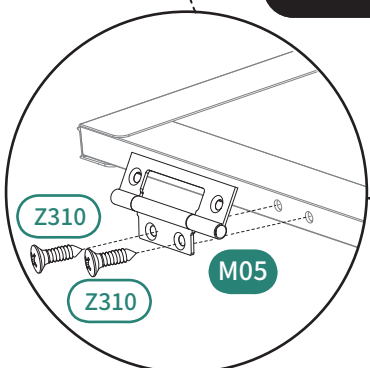
RIGHT DOOR



RIGHT DOOR

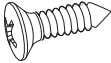
LEFT DOOR

LEFT DOOR

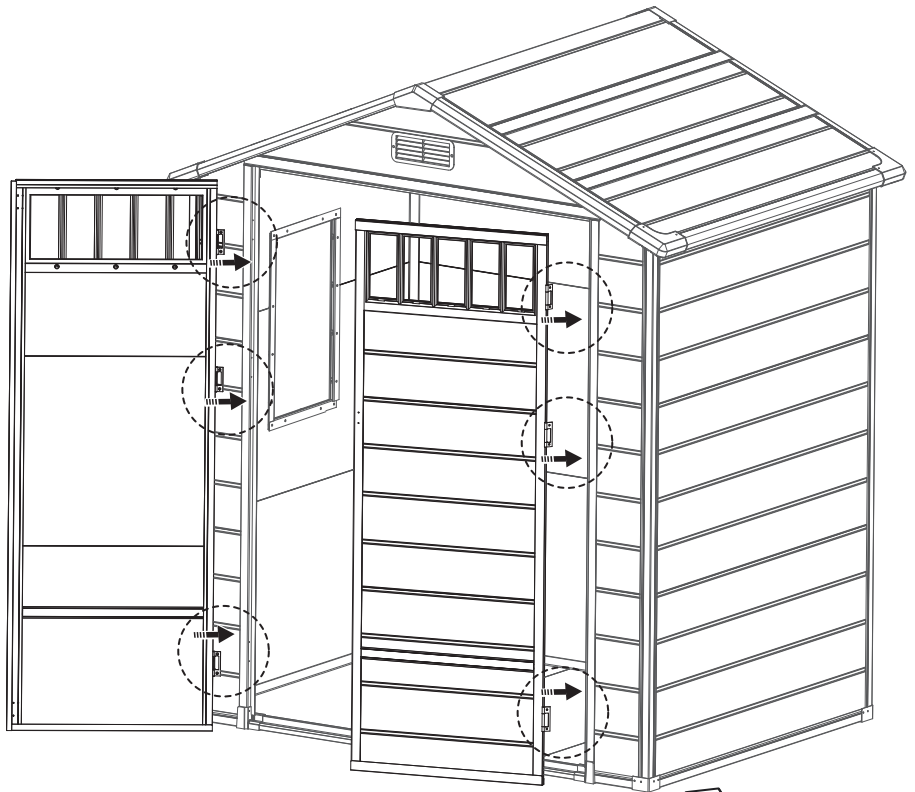
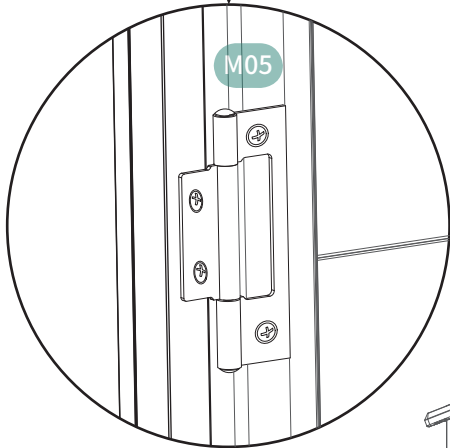
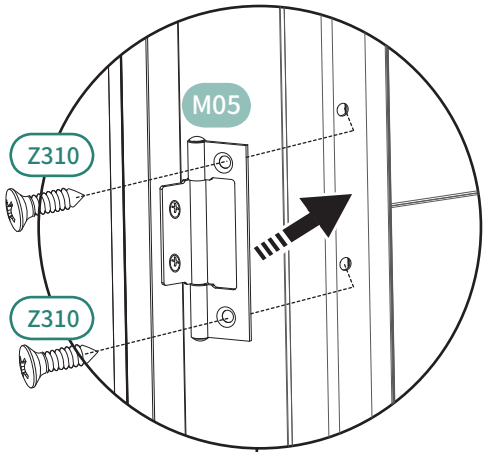


50

ST3 X 10mm

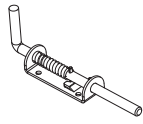


Z310 12pcs



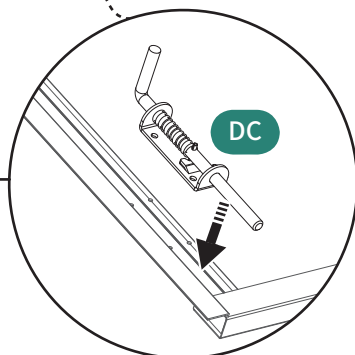
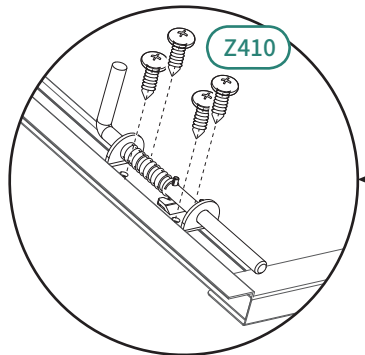
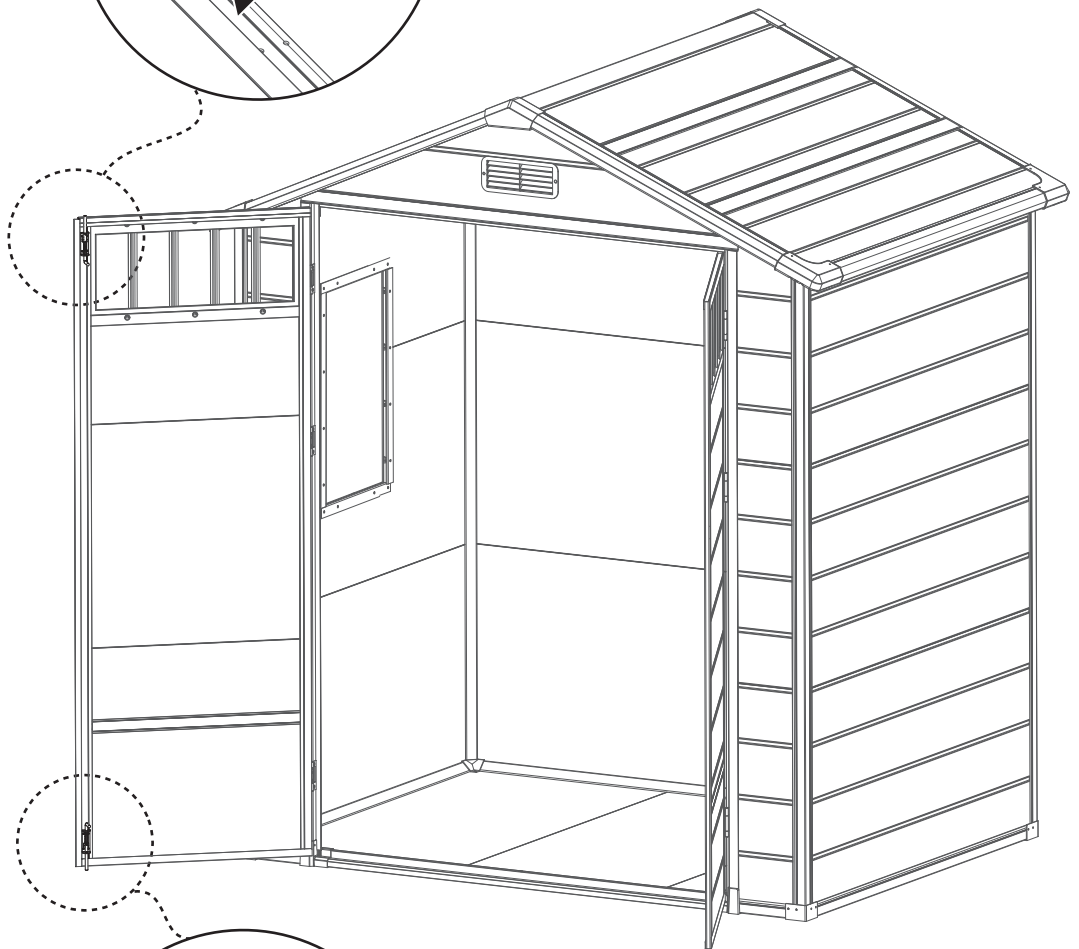
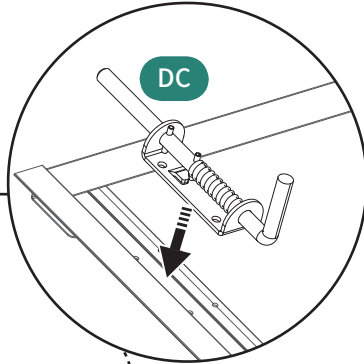
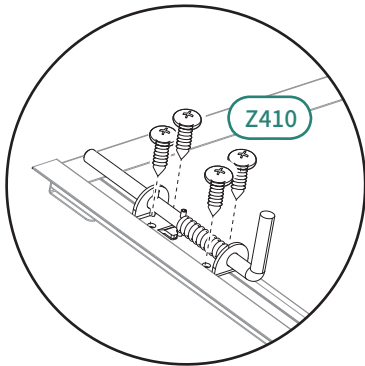
51

ST4 X 10mm



DC 2pcs

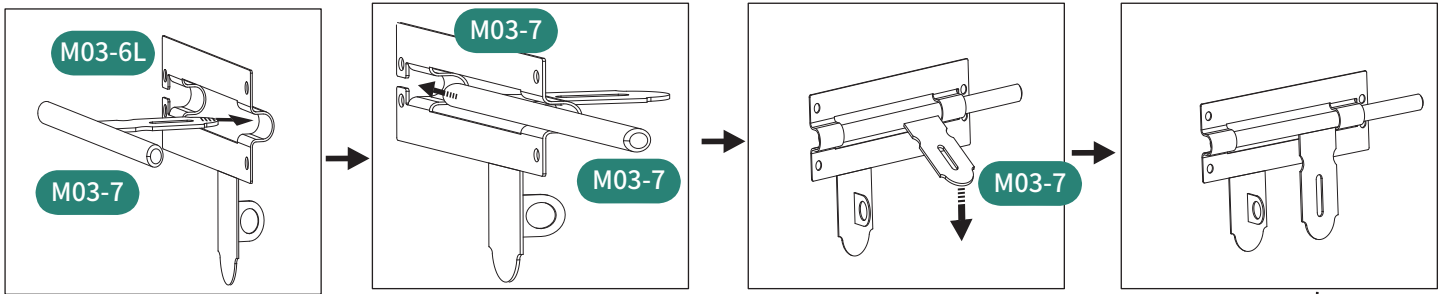
Z410 8pcs



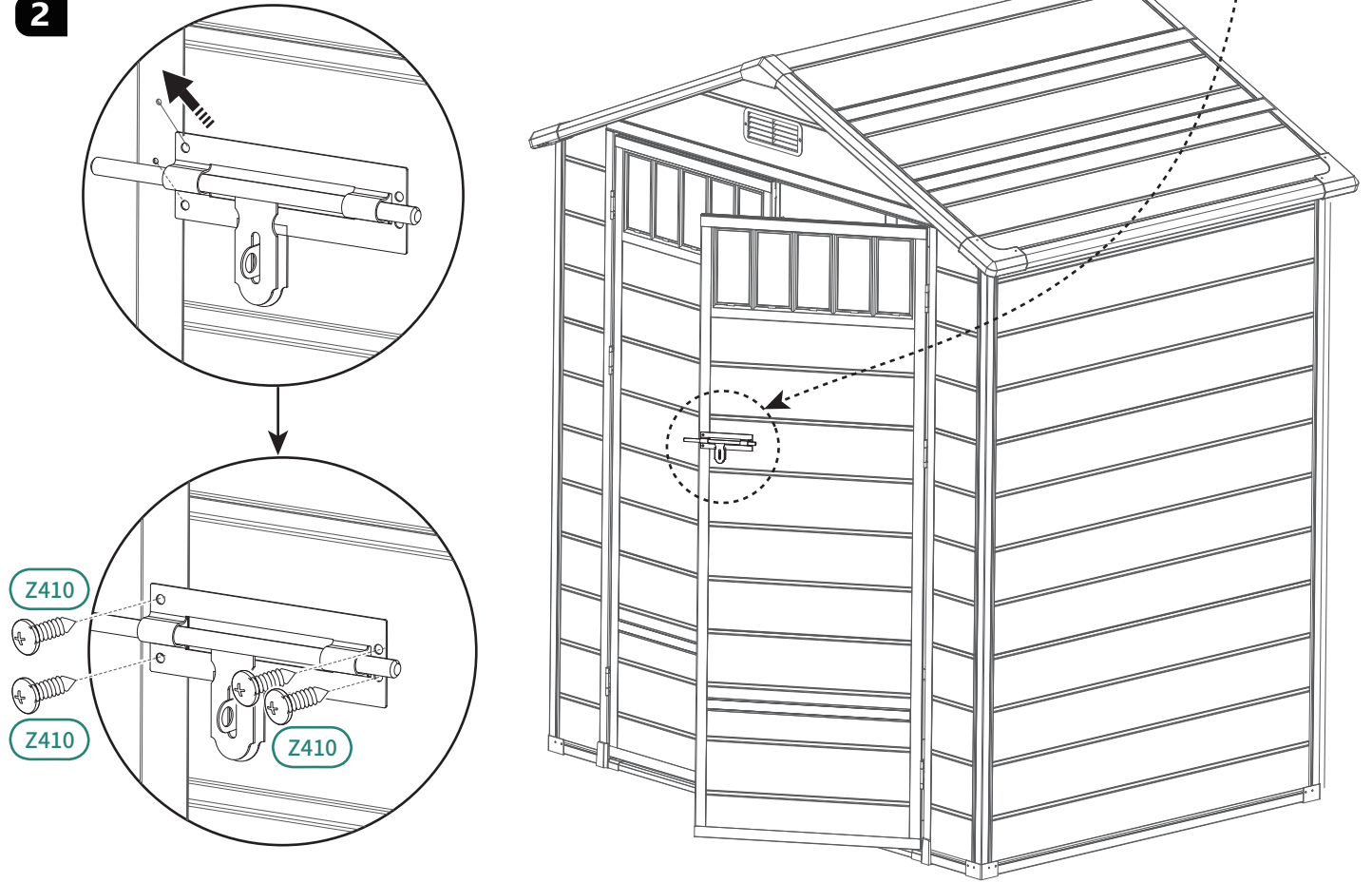
52

M03-6L 1pc M03-7 1pc ST4 X 10mm
Z410 4pcs

1



2



53

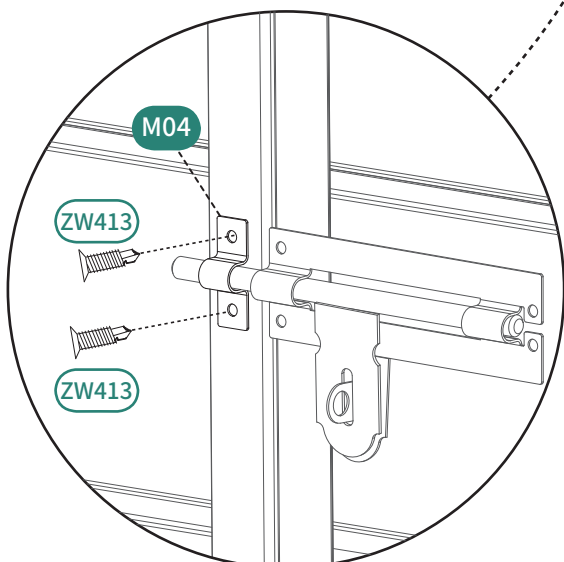
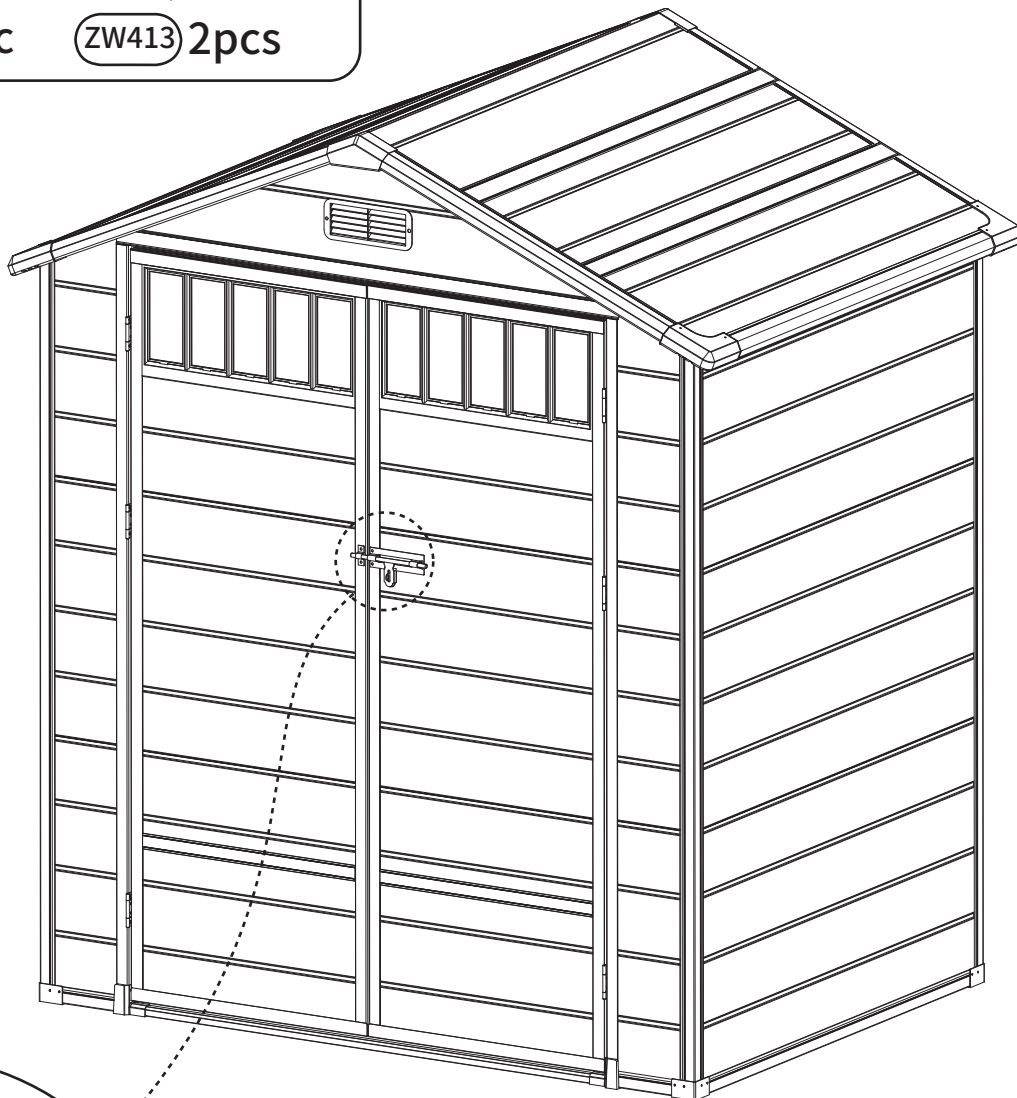


M04 1pc

ST4 X 13mm



ZW413 2pcs



54



Installation Completed

Installation Abgeschlossen

Installation Complétée

Installazione Completata

Instalación Completada

HELP CENTER



Inquiry



Assembly issue



Missing parts

If you encounter any difficulties during assembly, please contact us.

Wenn Sie während der Montage auf Schwierigkeiten stoßen, kontaktieren Sie uns bitte.

Si vous rencontrez des difficultés lors du montage, veuillez nous contacter.

Se incontri difficoltà durante il montaggio, ti preghiamo di contattarci.

Si encuentras alguna dificultad durante el ensamblaje, por favor contáctanos.

DISCLAIMER

Manufacturer and seller expressly disclaim any and all liability for personal injury, property damage or loss, whether direct, indirect, or incidental, resulting from the incorrect attachment, improper use, inadequate maintenance, unapproved modification, or neglect of this product.

Der Hersteller und Verkäufer lehnen ausdrücklich jegliche Haftung für Personenschäden, Sachschäden oder Verluste ab, egal ob direkt, indirekt oder zufällig, die durch falsche Anbringung, unsachgemäßen Gebrauch, unzureichende Wartung, nicht genehmigte Änderungen oder Vernachlässigung dieses Produkts entstehen.

El fabricante y vendedor renuncian expresamente a toda responsabilidad por lesiones personales, daños materiales o pérdidas, ya sean directos, indirectos o incidentales, derivados de la incorrecta colocación, uso inadecuado, mantenimiento insuficiente, modificación no aprobada o negligencia de este producto.

Il produttore e il venditore declinano espressamente ogni responsabilità per lesioni personali, danni materiali o perdite, dirette, indirette o incidentali, derivanti dall'errato fissaggio, uso improprio, manutenzione inadeguata, modifica non autorizzata o negligenza di questo prodotto.

Le fabricant et le vendeur déclinent expressément toute responsabilité en cas de blessures corporelles, de dommages matériels ou de pertes, qu'ils soient directs, indirects ou accessoires, résultant de la fixation incorrecte, de l'utilisation inappropriée, de l'entretien insuffisant, de la modification non approuvée ou de la négligence de ce produit.