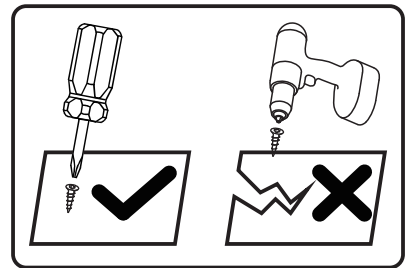
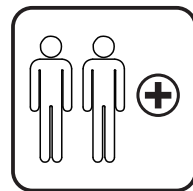
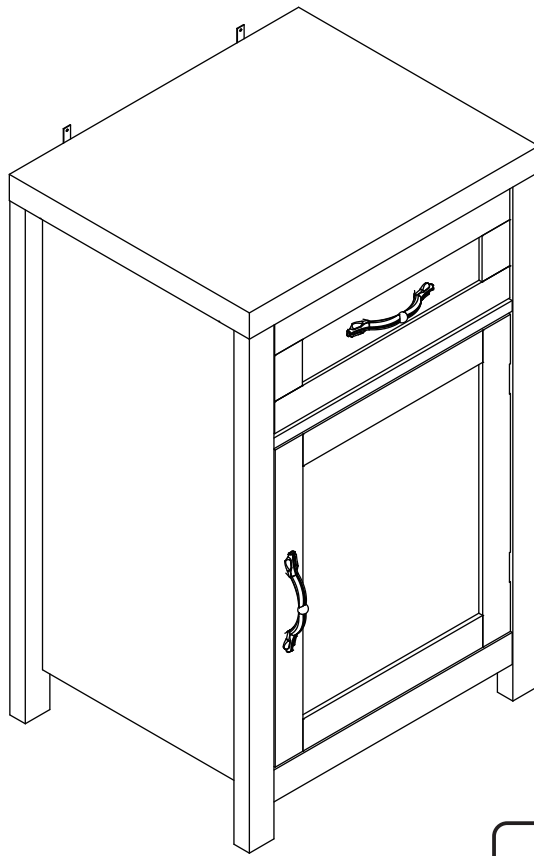


ASSEMBLY INSTRUCTIONS



Tools Recommended

IMPORTANT NOTICE




- This product contains small components, please ensure that they are kept away from small children.
- THIS INSTRUCTIONS CONTAINS IMPORTANT SAFETY INFORMATION. PLEASE READ BEFORE ASSEMBLY AND KEEP FOR FUTURE REFERENCE.
- Read each step carefully. It is very important that each step of instruction is performed in the correct order. If these steps are not followed in sequence, assembly difficulties will occur.
- Make sure all parts are included. Most parts are labelled or stamped on the raw edge.
- Work in spacious area, preferably on a carpet, near the place the unit will be used.
- Do not use power tools to assemble your furniture. Power tools may strip or damage the parts.
- Move your new furniture carefully, with two people lift and carry the unit to it's new location.
- Never push, drag or pull your furniture (especially on carpet)



PLEASE DO NOT RETURN PRODUCT TO US IMMEDIATELY

If a part is missing or damaged, email our customer service. We will gladly ship your replacement parts FREE of charge.

For Prompt, reliable service, please have your assemble instruction ready

 WARNING!	
	<p>Children have died from furniture tipover. To reduce the risk of furniture tipover:</p> <ul style="list-style-type: none">• ALWAYS install anti-tip device provided.• NEVER put a TV on this product.• NEVER allow children to stand, climb or hang on any drawers, doors, or shelves.• NEVER open more than one drawer at a time.• Place heaviest items in the lowest drawers. <p>This is a permanent label. Do not remove!</p>
	

Total number of boards required for this product: 16pcs

Includes frame plate: 10pcs

part 1*1pcs

part 3*1pcs

part 5*1pcs

part 7*1pcs

part 9*1pcs

part 2*1pcs

part 4*1pcs

part 6*1pcs

part 8*1pcs

part 10*1pcs

Includes drawer board: 5pcs

part 12*1pcs

part 13*1pcs

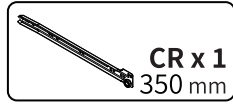
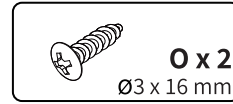
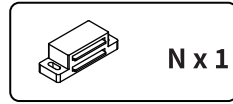
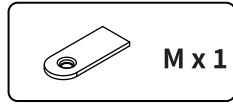
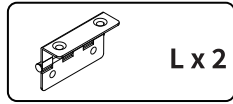
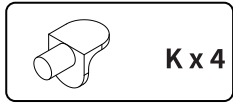
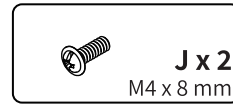
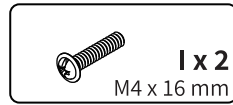
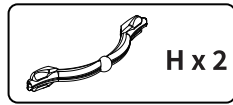
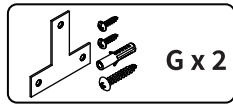
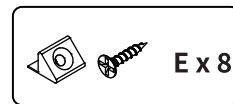
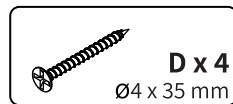
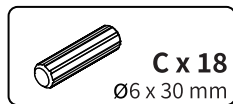
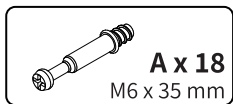
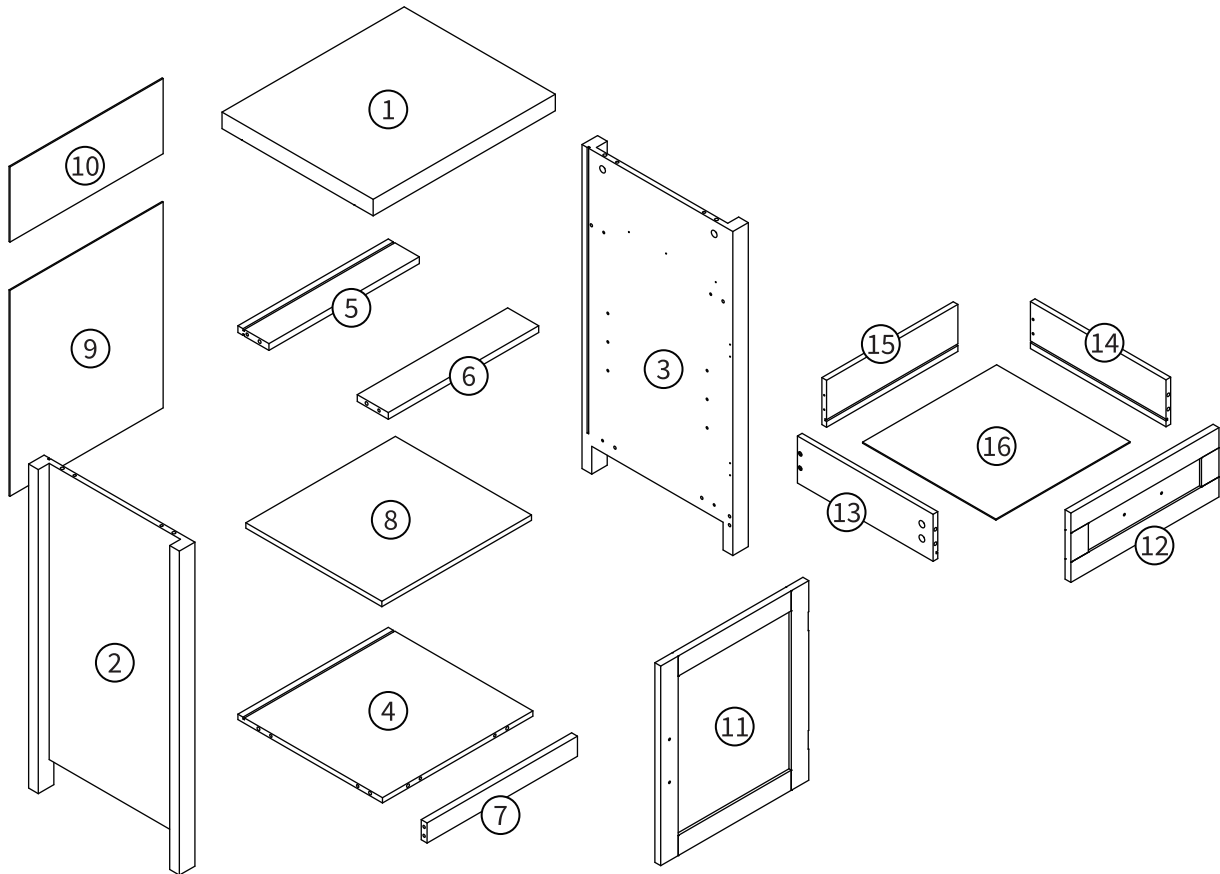
part 14*1pcs

part 15*1pcs

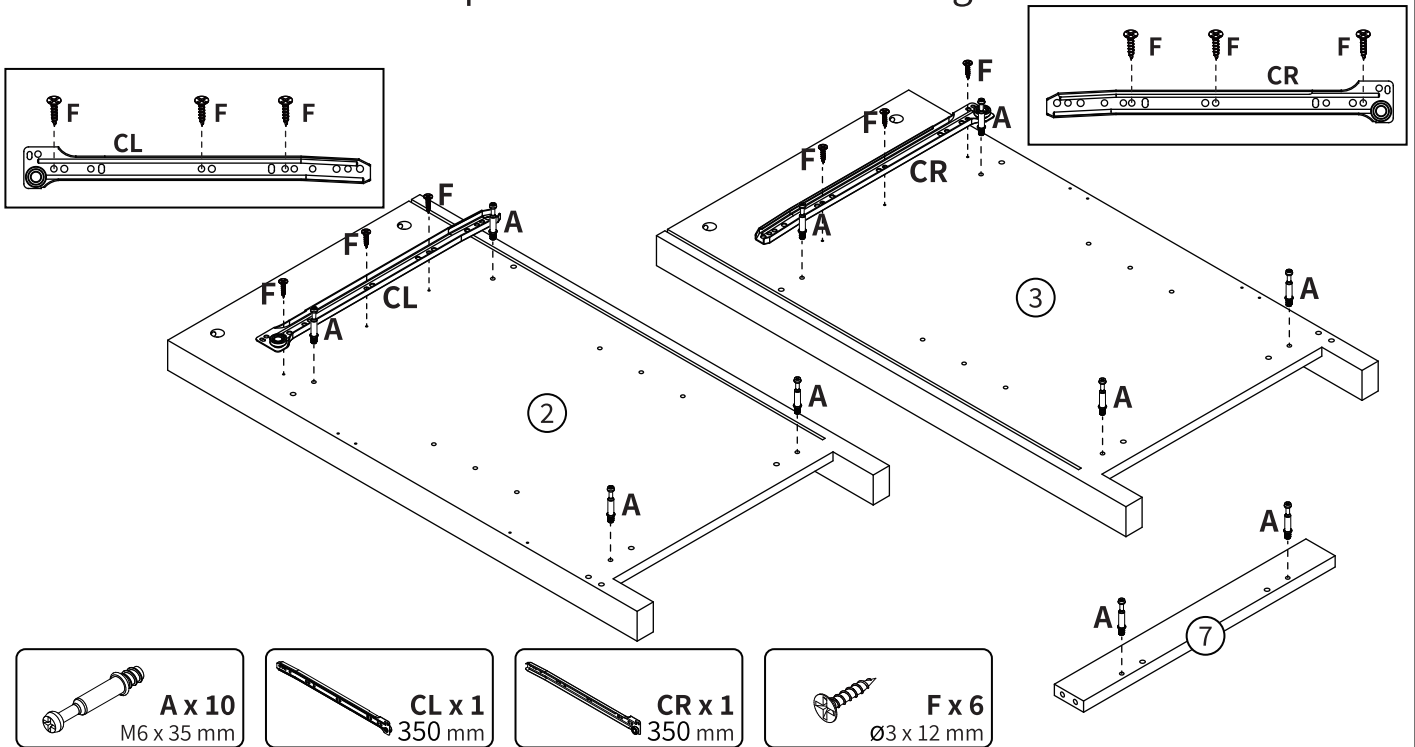
part 16*1pcs

Includes door: 1pcs

part 11*1pcs



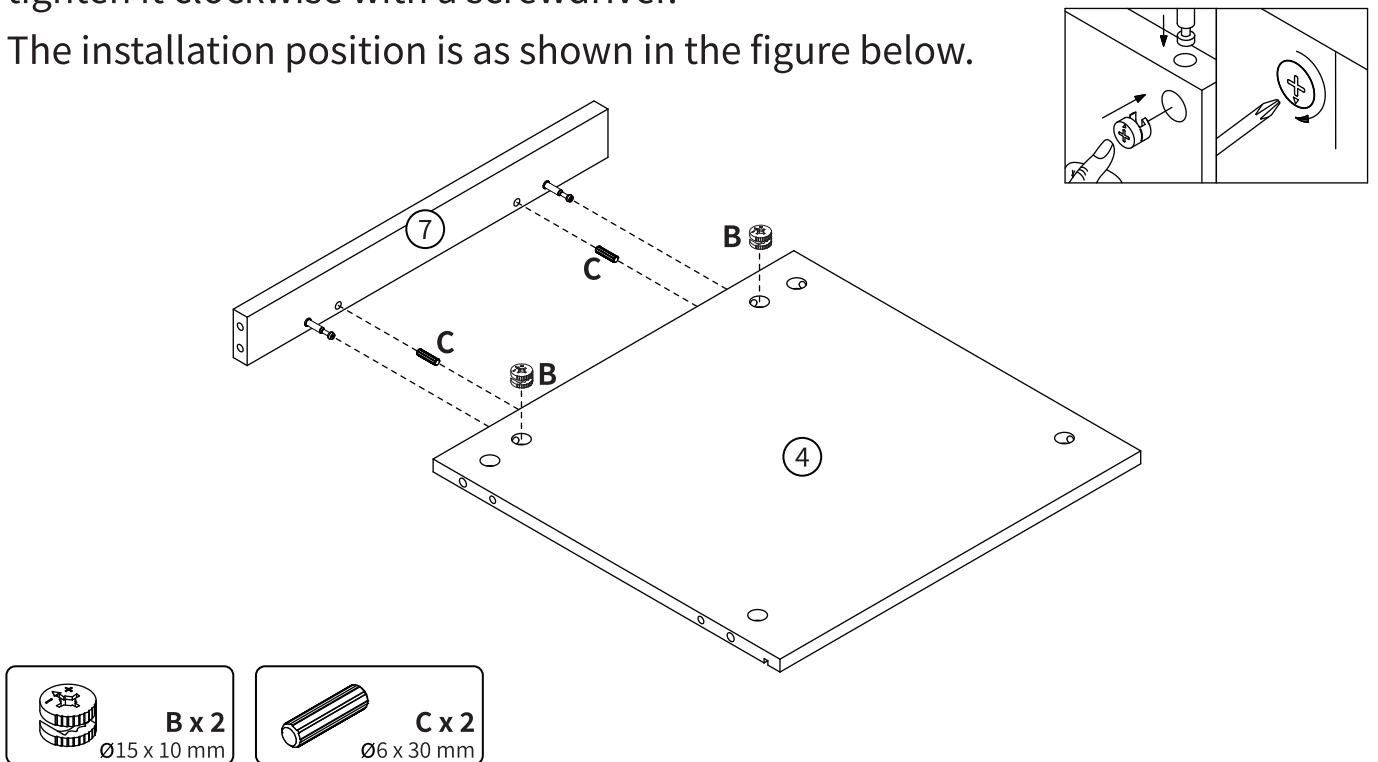
Step 1 First lock the screw (A) in panel ②, panel ③, panel ⑦.
 Then use screws (F) to lock the slide rail (CL) in panel ②, and use screws (F) to lock the slide rail (CR) in panel ③.
 The installation position is as shown in the figure below.



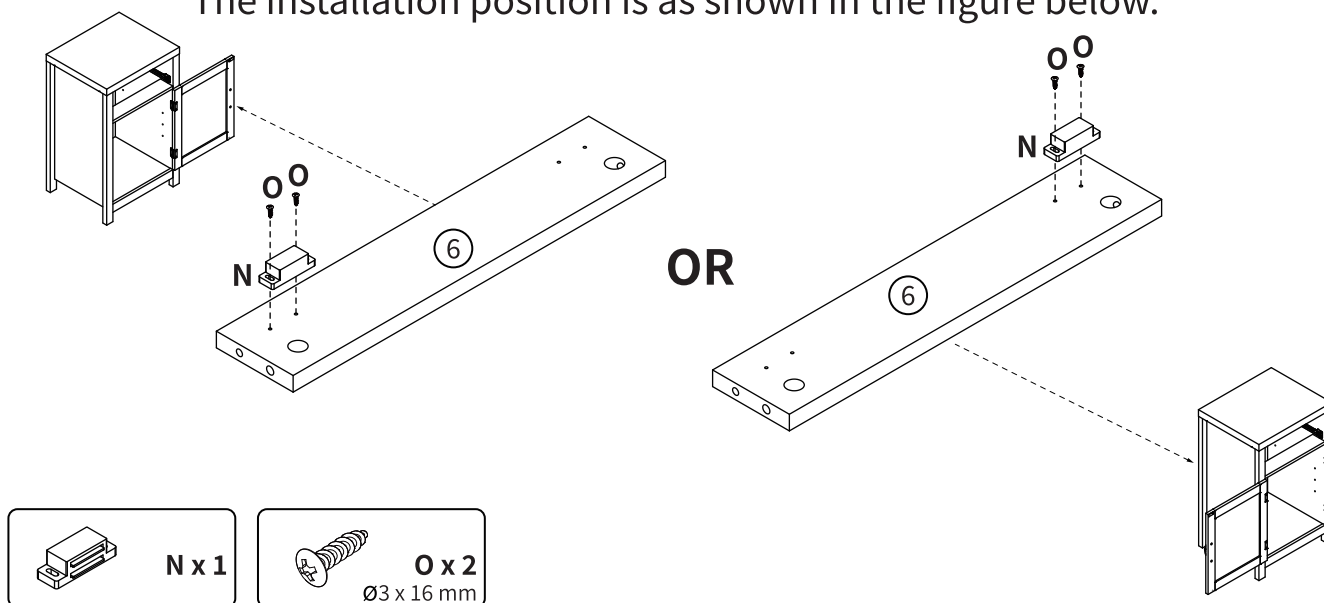
Step 2 First insert the wooden dowel (C) into panel ④. Then connect panel ④ and panel ⑦.

Finally, place the eccentric wheel (B) in the reserved hole of panel ④ and tighten it clockwise with a screwdriver.

The installation position is as shown in the figure below.



Step 3 The door of this product can be opened left and right. the following Picture shows left opening by default unless required. Distinguish the difference between left and right installation. please Install the magnets according to your needs. additional. Magnetic (N) Go to panel⑥ and use the Screws (O). The installation position is as shown in the figure below.



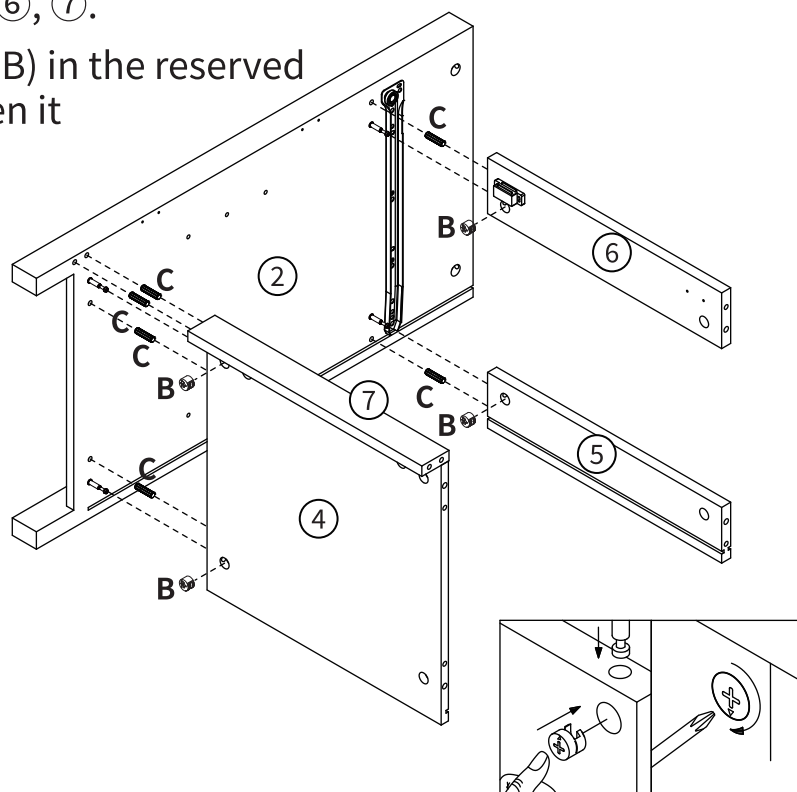
Step 4

First insert the wooden dowel (C) into panel ④, ⑤, ⑥, ⑦.

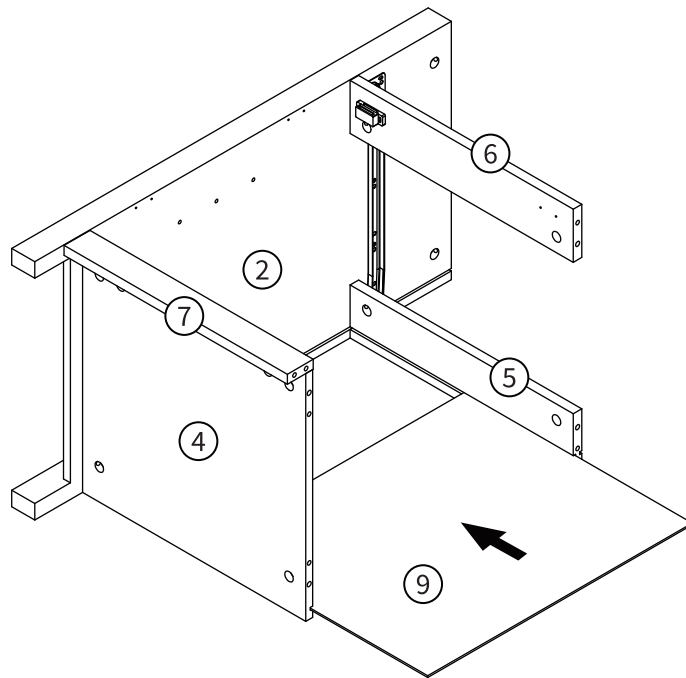
Connect panel ② to panels ④, ⑤, ⑥, ⑦.

Finally, place the eccentric wheel (B) in the reserved holes of panel ④, ⑤, ⑥, and tighten it clockwise with a screwdriver.

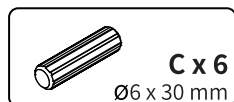
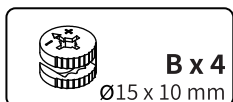
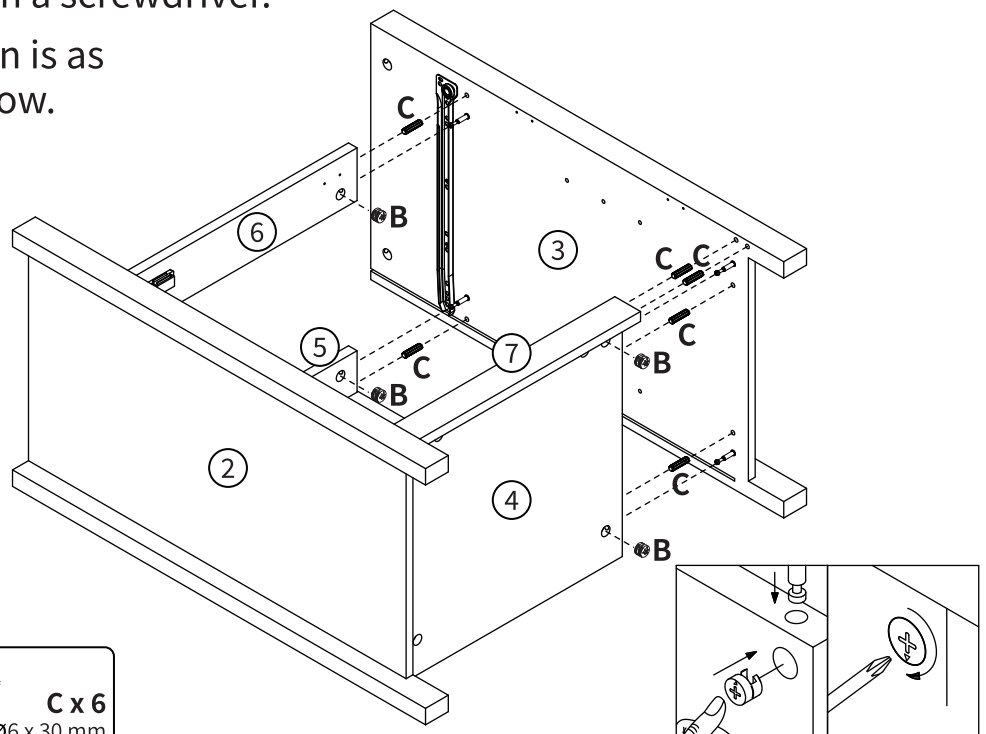
The installation position is as shown in the figure below.



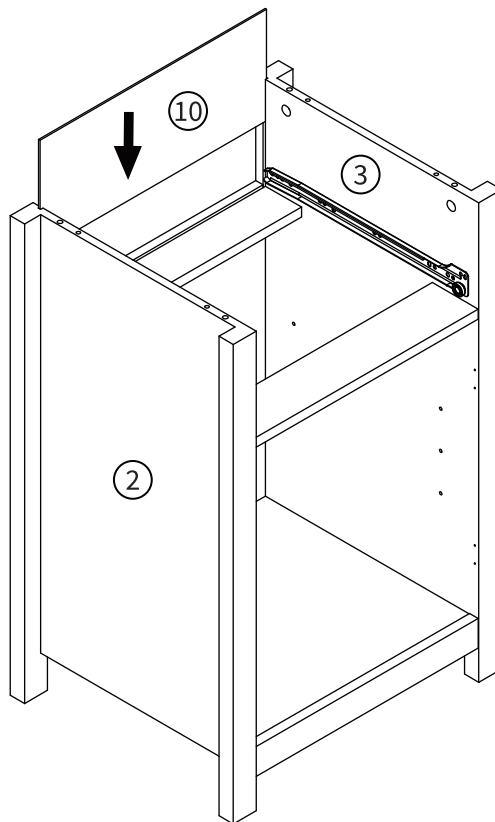
Step 5 Insert panel ⑨ into the card slots of panel ④ and panel ⑤
The installation position is as shown in the figure below.



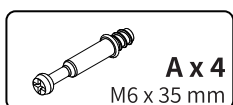
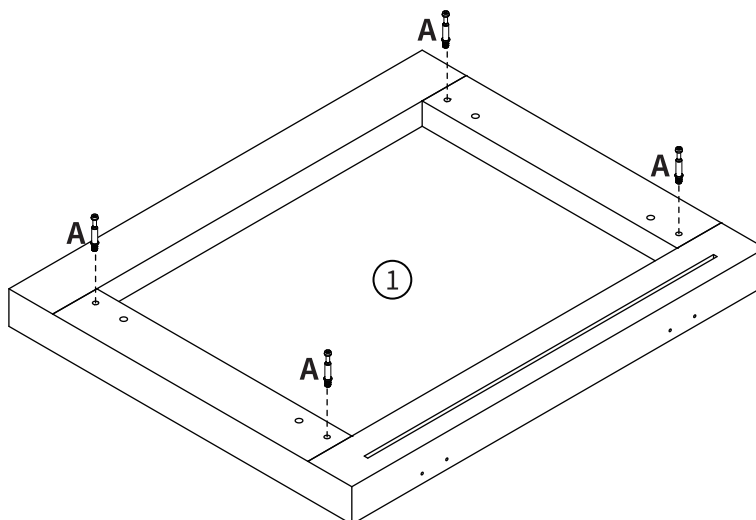
Step 6 First insert the wooden dowel (C) into panel ④, ⑤, ⑥, ⑦.
Connect panel ③ to panels ④, ⑤, ⑥, ⑦.
Finally, place the eccentric wheel (B) in the reserved holes of panel ④, ⑤, ⑥, and
tighten it clockwise with a screwdriver.
The installation position is as
shown in the figure below.



Step 7 Insert panel⑩ into the card slots of panel② and panel③
The installation position is as shown in the figure below.



Step 8 Lock the screw (A) in panel ①.
The installation position is as shown in the figure below.



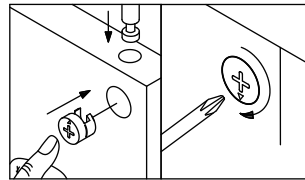
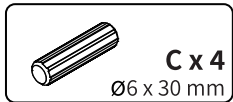
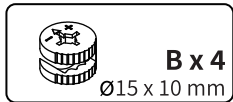
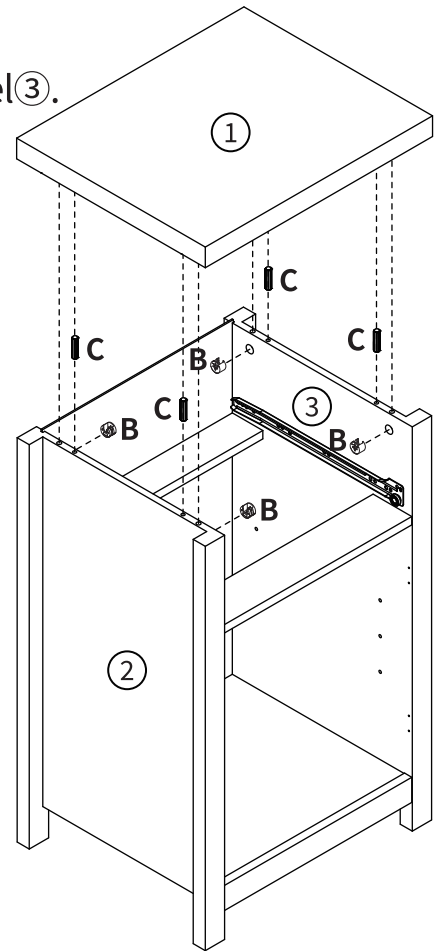
Step 9

First insert the wooden dowel (C) into panel ② and panel ③.

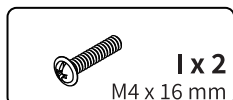
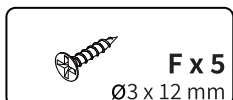
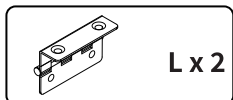
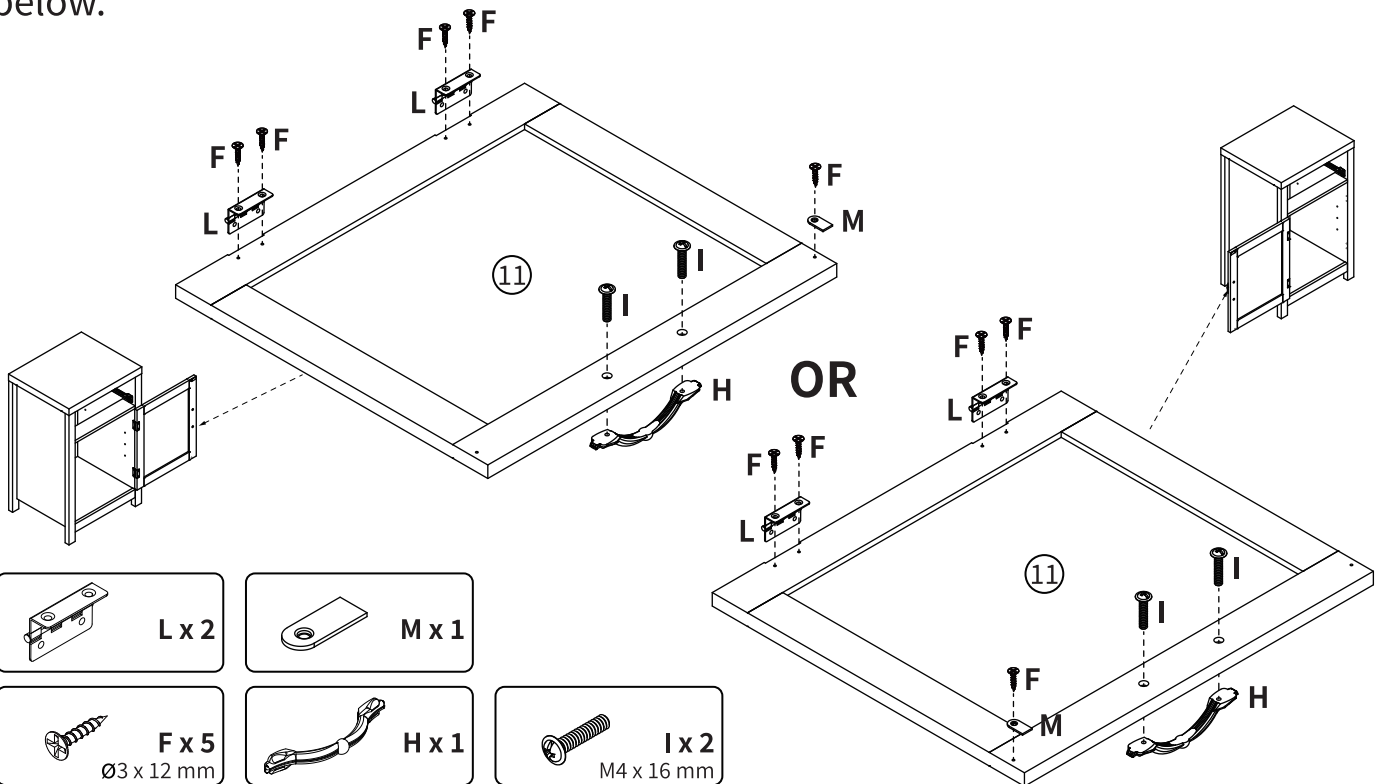
Then connect panel ① and panel ②, panel ③

Finally, place the eccentric wheel (B) in the reserved holes of panel ② and panel ③, and tighten it clockwise with a screwdriver.

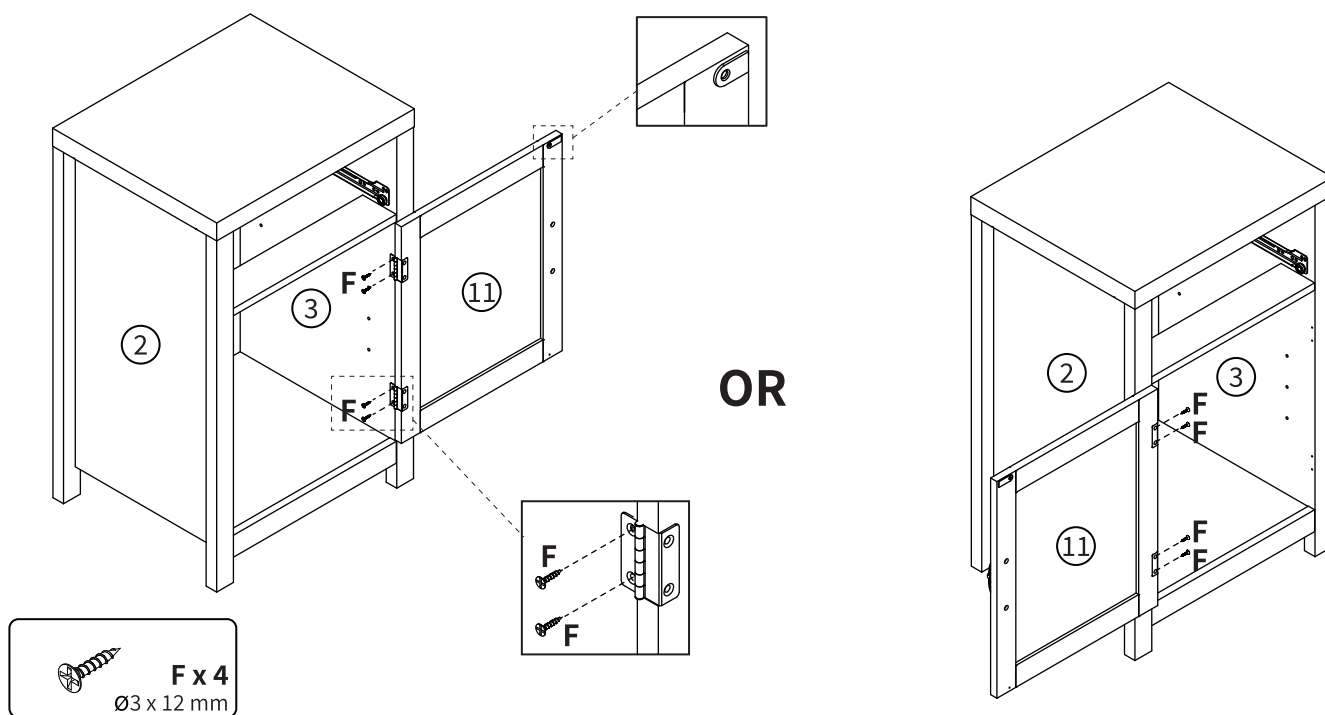
The installation position is as shown in the figure below.



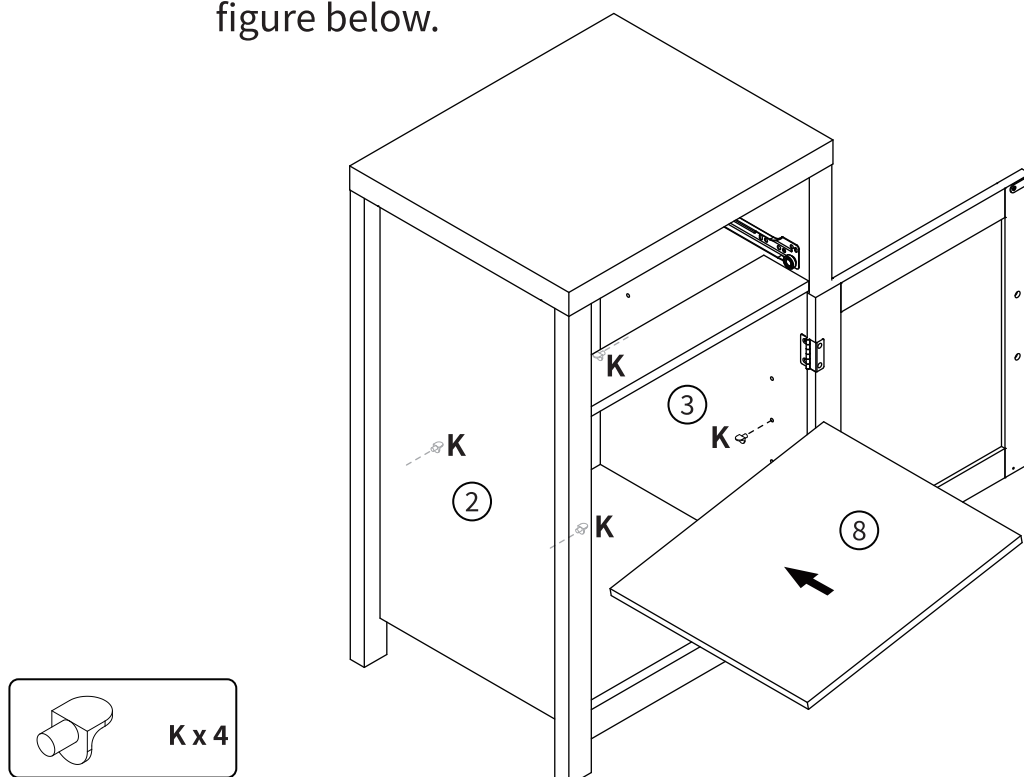
Step 10 Attach handle (H) to panel ⑪ with screw (I), Then assemble the hinge (L) on panel ⑪ with screws (F). Finally, use screws (F) to lock the iron watch (M) on panel ⑪. The installation position is as shown in the figure below.



Step 11 Assemble panel ⑪ and panel ③ with screws (F).
 Or use screws (F) to assemble panel ⑪ and panel ②
 The installation position is as shown in the figure below.

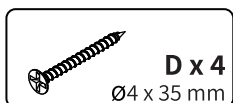
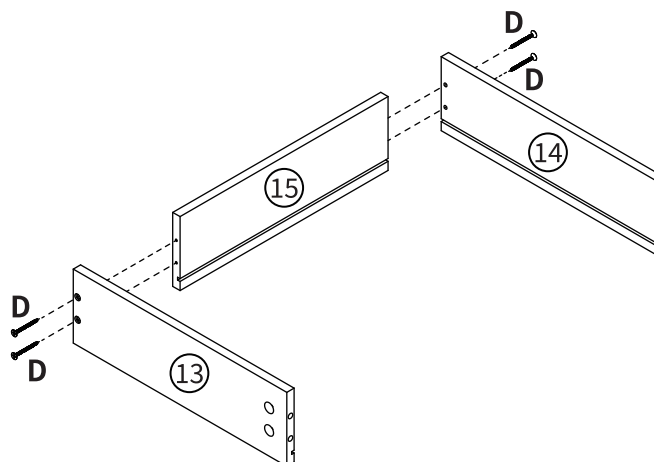


Step 12 First insert the pin (K) into the hole position of panel ② and panel ③ at the height you require.
 Then push panel ⑧ in the installation position is as shown in the figure below.



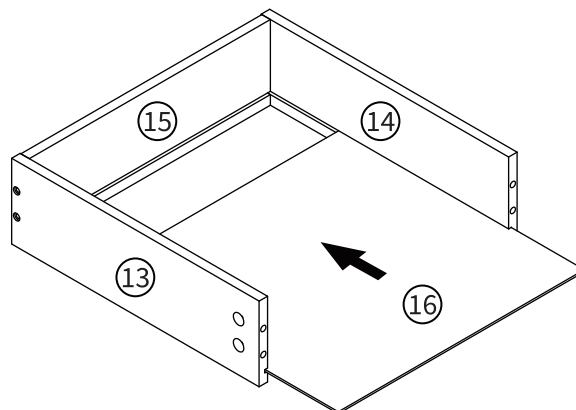
Step 13 Use screws (D) to connect panel⑬,⑭,⑮.

The installation position is as shown in the figure below.



Step 14 Insert panel⑯ into the grooves of panel⑬ and panel⑭

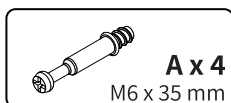
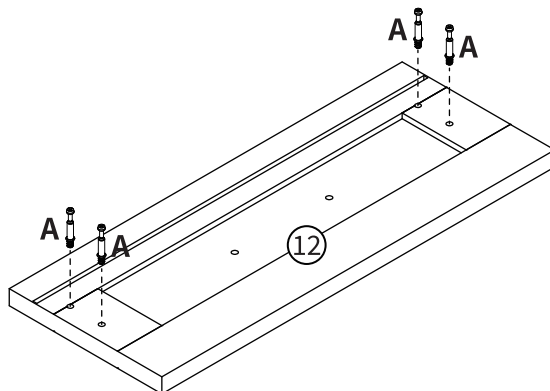
The installation position is as shown in the figure below.



Step 15

Lock the screw (A) in panel ⑫.

The installation position is as shown in the figure below.



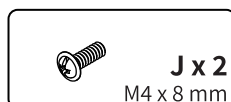
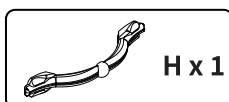
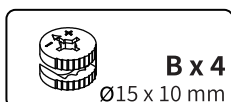
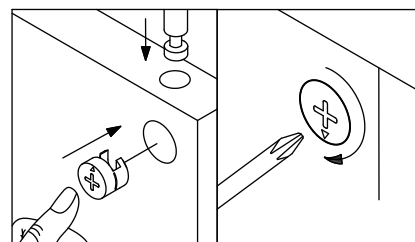
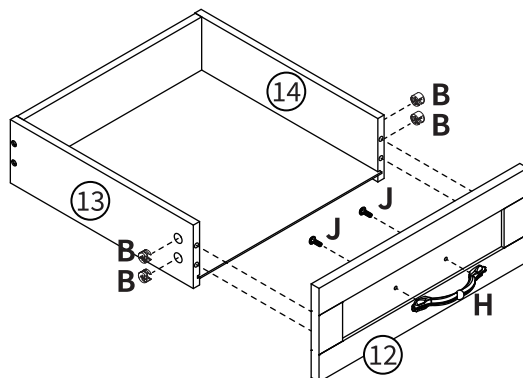
Step 16

First, use screws (J) to install the handle (H) on panel ⑫.

Then connect panels ⑫, ⑬, ⑭.

Finally, place the eccentric wheel (B) in the reserved holes of panel ⑬ and ⑭, and tighten it clockwise with a screwdriver.

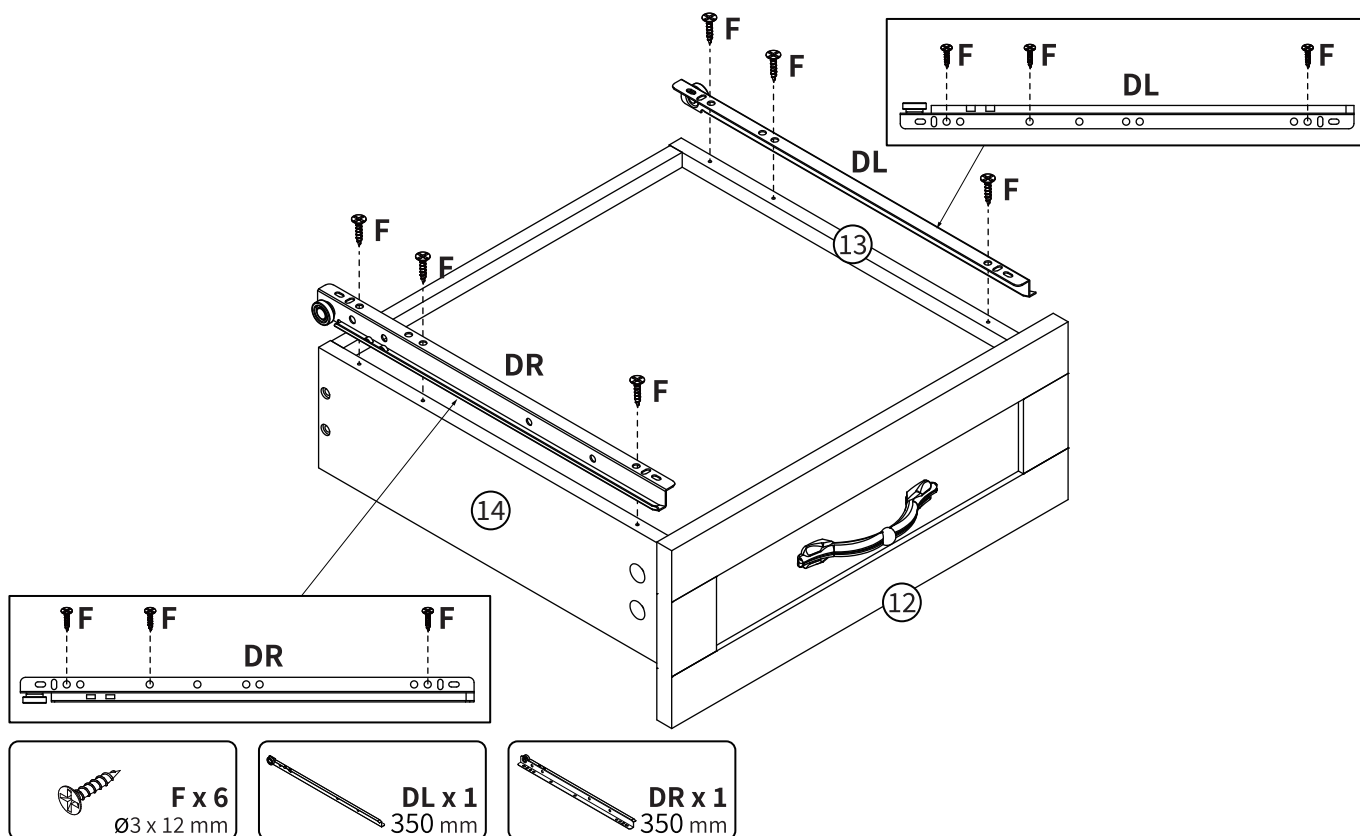
The installation position is as shown in the figure below.



Step 17 Use screws (F) to fix the slide rail (DR) on panel ⑭.

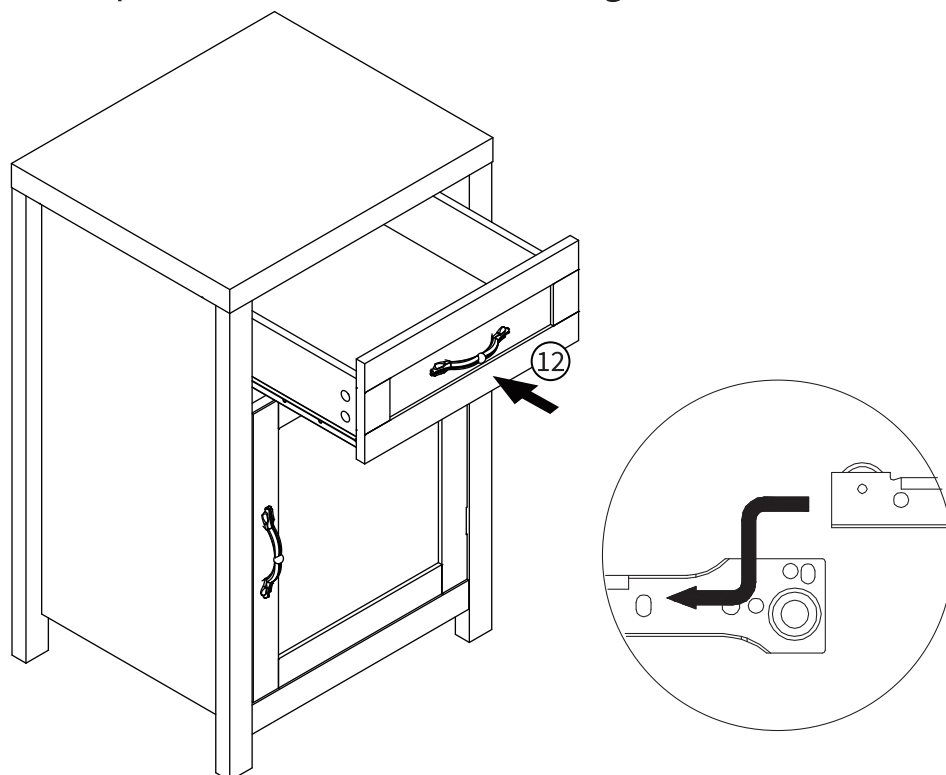
Use screws (F) to fix the slide rail (DL) on panel ⑬

The installation position is as shown in the figure below.



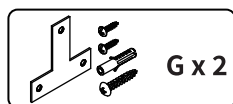
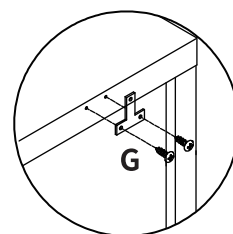
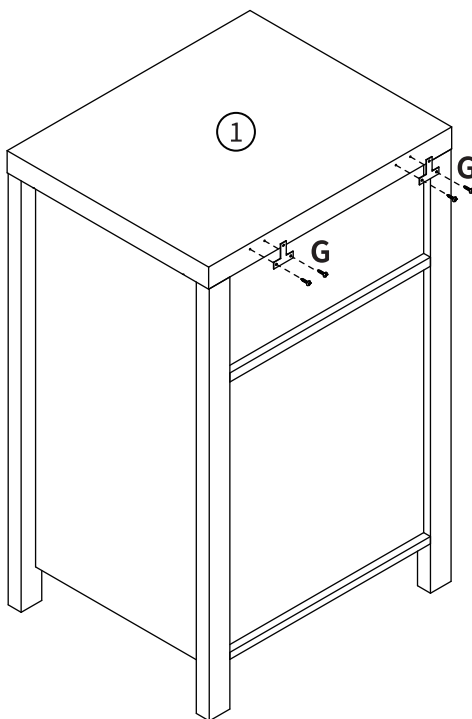
Step 18 Install the drawer to the designated location

The installation position is as shown in the figure below.



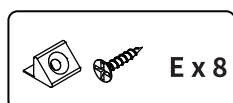
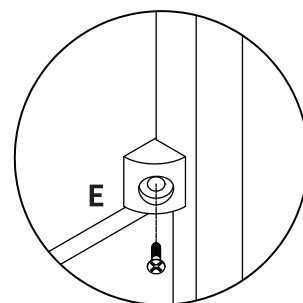
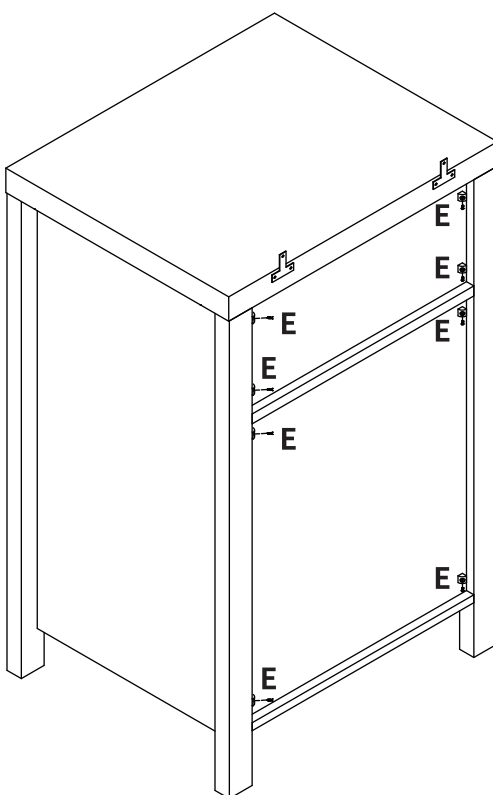
Step 19 Use the hardware package (G) to lock the T-shaped component on the panel ①.

The installation position is as shown in the figure below.



Step 20 Lock the back panel buckles (E) to the four corners of the back panel.

The installation position is as shown in the figure below.



Step 21 Use a hammer to hammer the hardware (G) into the wall,
Then long screws in hardware (G) Tighten the expansion screw on
the wall.

The installation position is as shown in the figure below.

