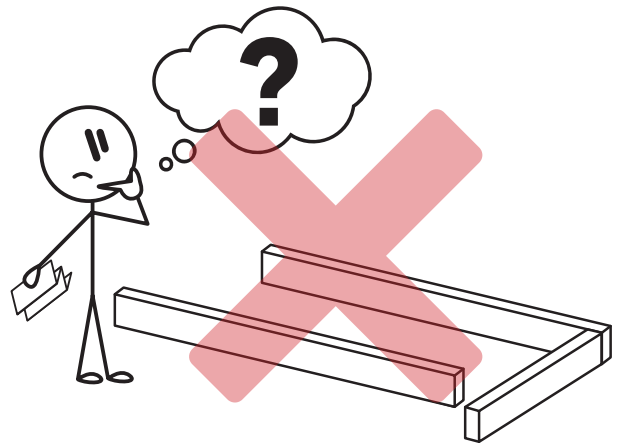
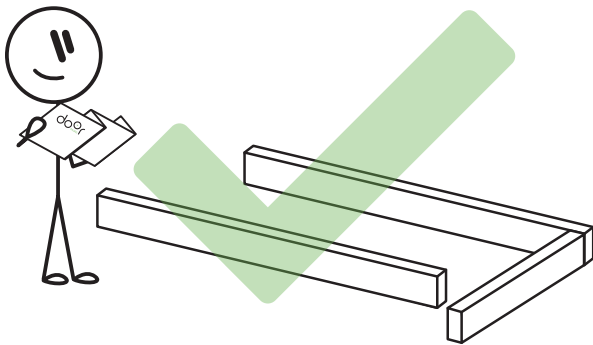
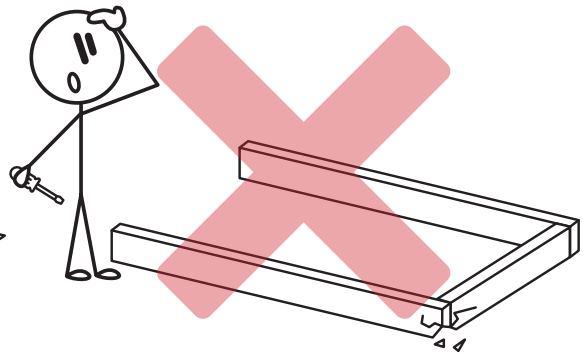
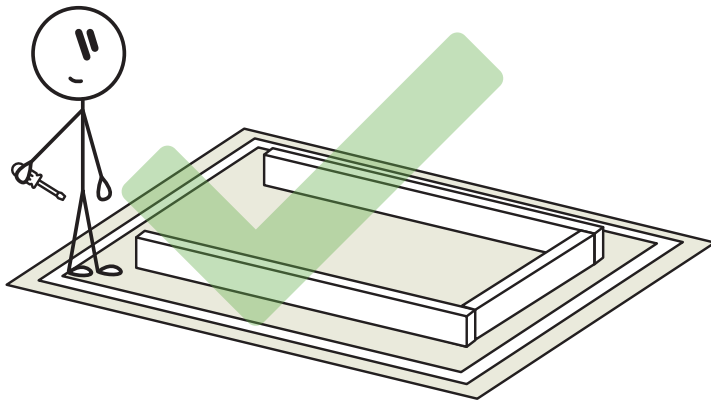
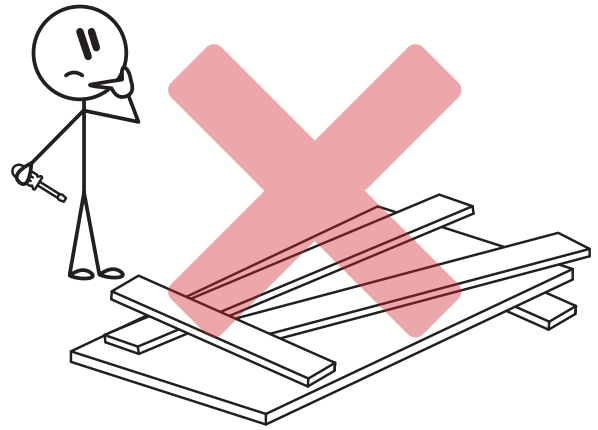
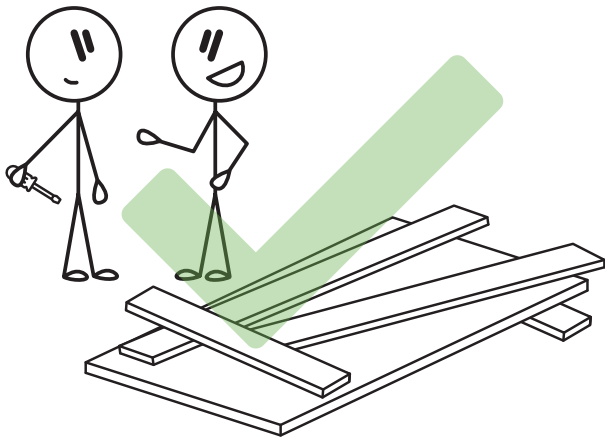


DOOR SIDELITE FRAME ASSEMBLY

Door Sidelite Frame Assembly Instructions - 96"H, 4-9/16" Jamb



IMPROPER INSTALLATION OR USE OF THIS PRODUCT MAY RESULT IN INJURY OR DAMAGE.

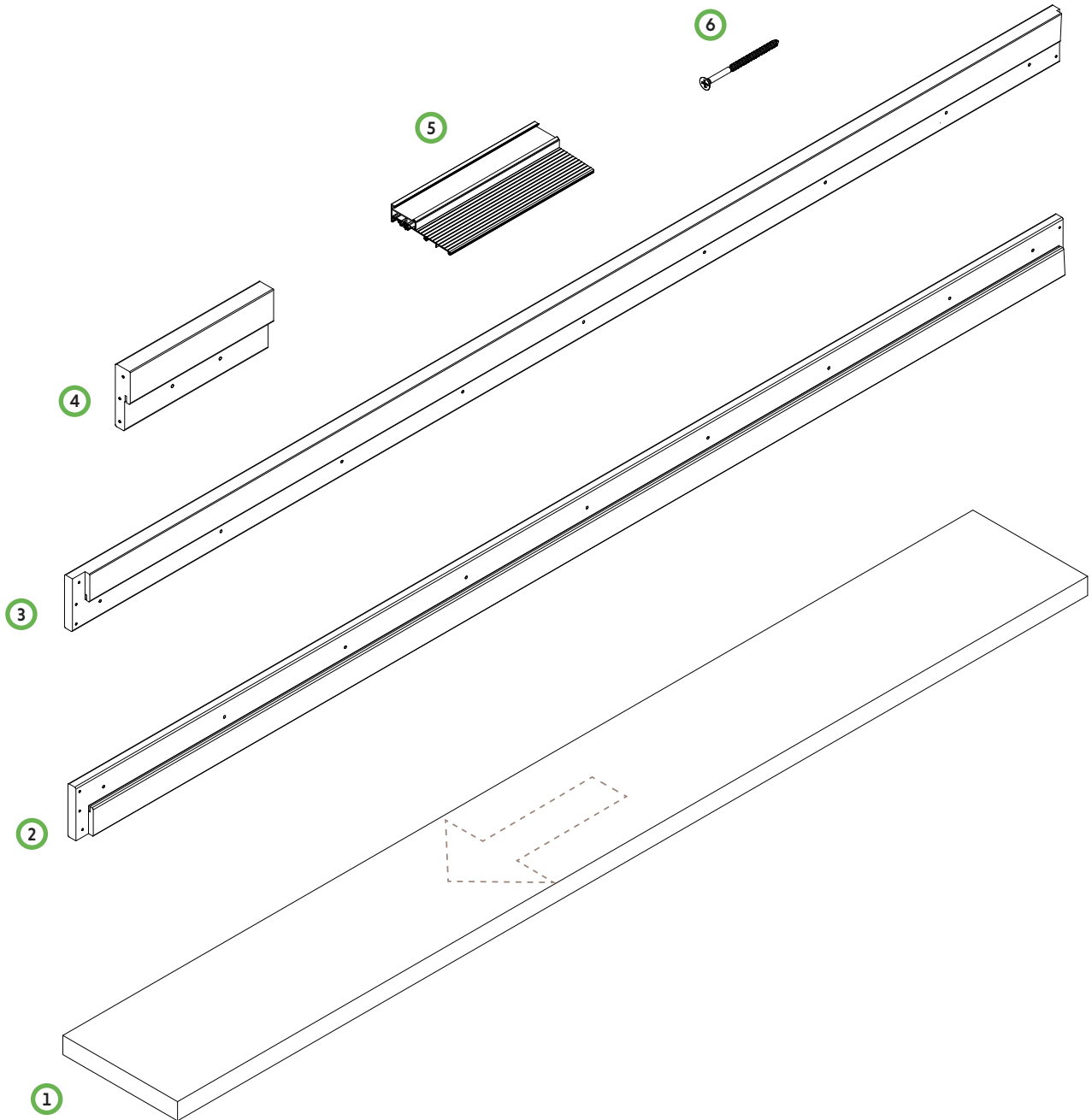
TO ENSURE SAFE INSTALLATION AND USE, FOLLOW THESE PRECAUTIONS:

- ALWAYS follow the provided installation instructions carefully.
- NEVER install the door frame on an unstable or uneven surface.
- NEVER allow children to hang, swing, or climb on the door or frame.
- ENSURE all screws and fittings are securely tightened before use.
- DO NOT force the door into place if alignment issues occur adjust the frame accordingly.
- DO NOT modify or remove any structural components, as this may compromise stability and safety.
- USE appropriate tools and safety gear during installation.





YOUR DOOR SIDELITE KIT INCLUDES THE FOLLOWING COMPONENTS



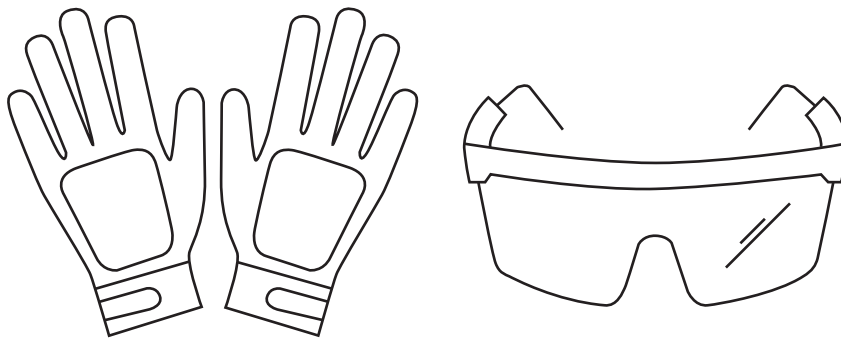
- ① Sidelite Panel (x1)
- ② Left Hand Leg (x1)
- ③ Right Hand Leg (x1)
- ④ Header (x1)
- ⑤ Threshold (x1)
- ⑥ Frame Screws (x30)
(#6 x 2-1/4)



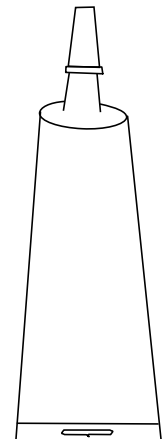
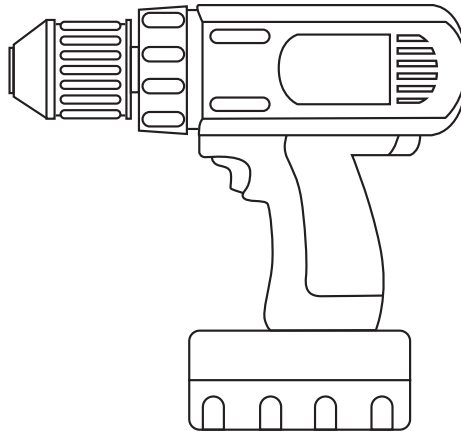
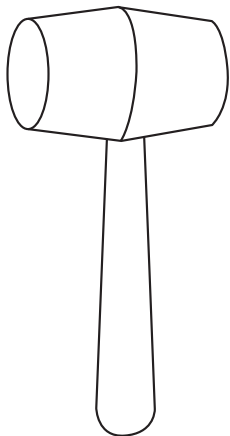
Note: If any parts are missing or damaged, please file a claim at <https://www.doornmore.com/help/claim.html>. Be sure to have your order number and product details ready for faster assistance.



PROTECTIVE EQUIPMENT (PPE)



EQUIPMENT NEEDED

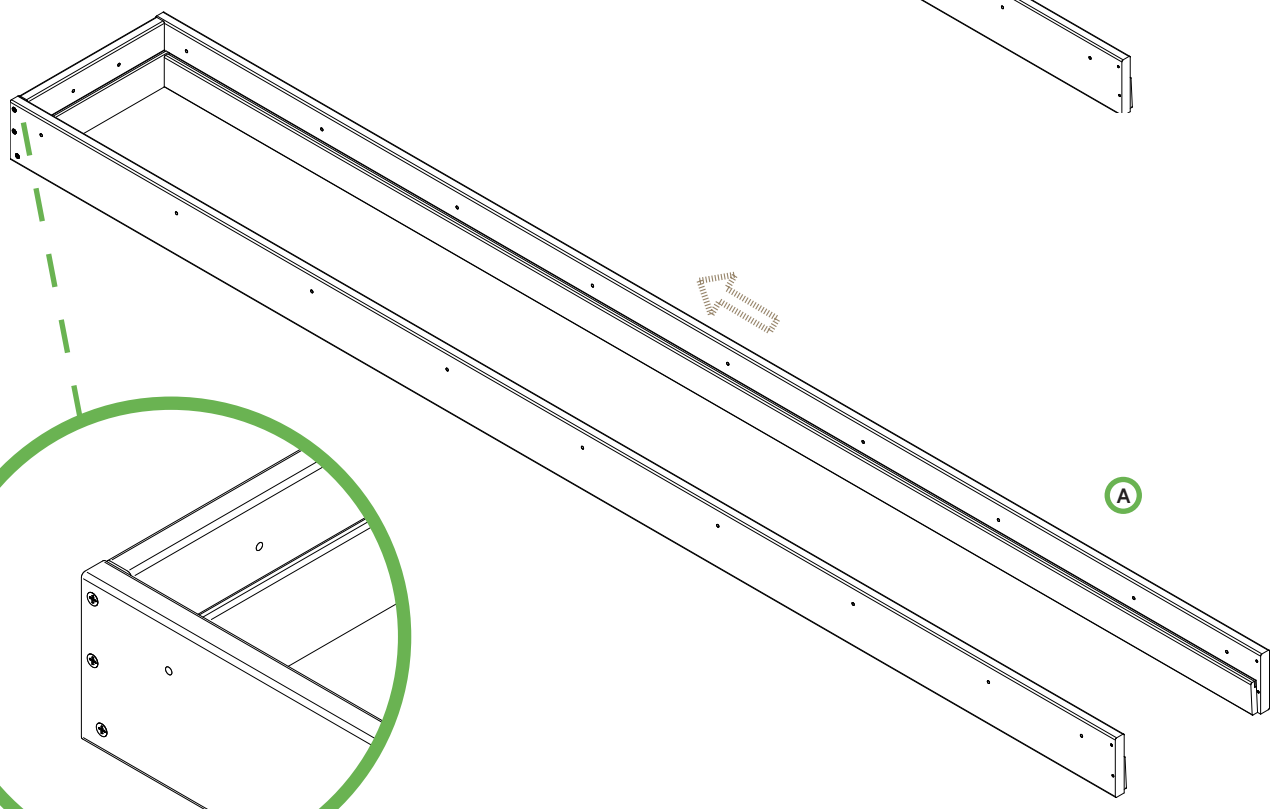
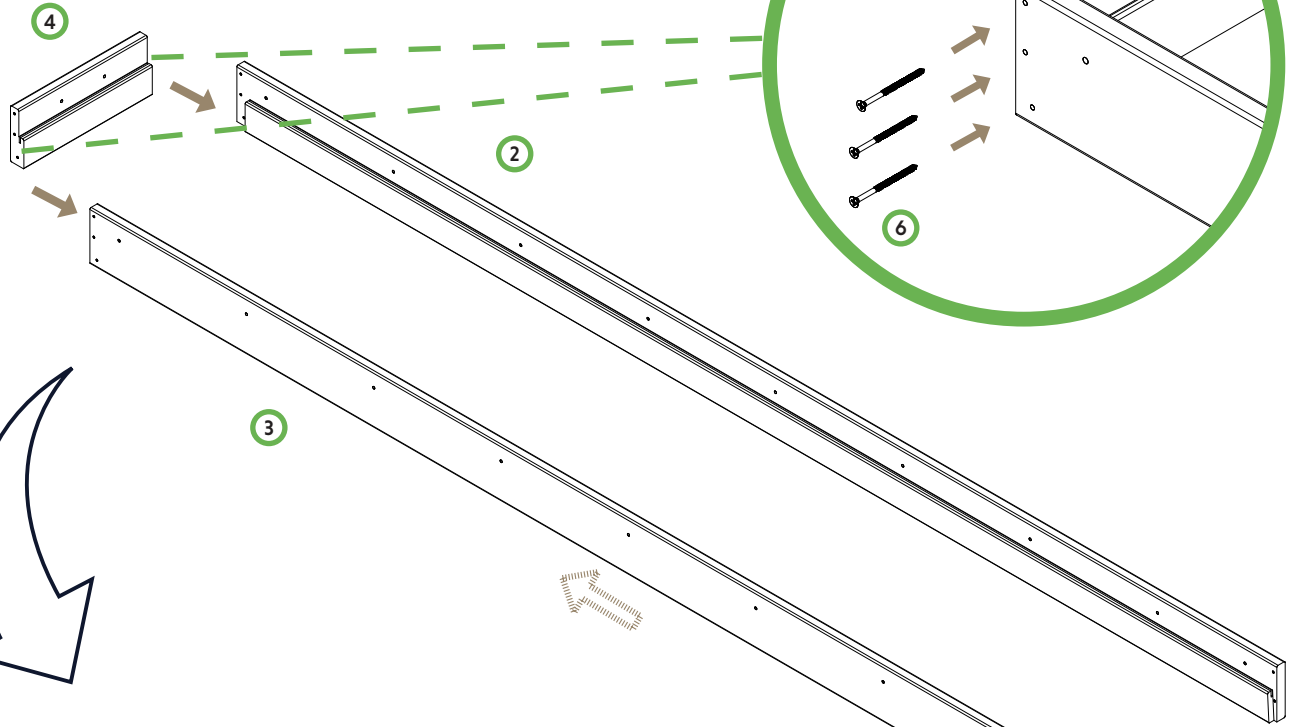


Clear Exterior Grade Silicone



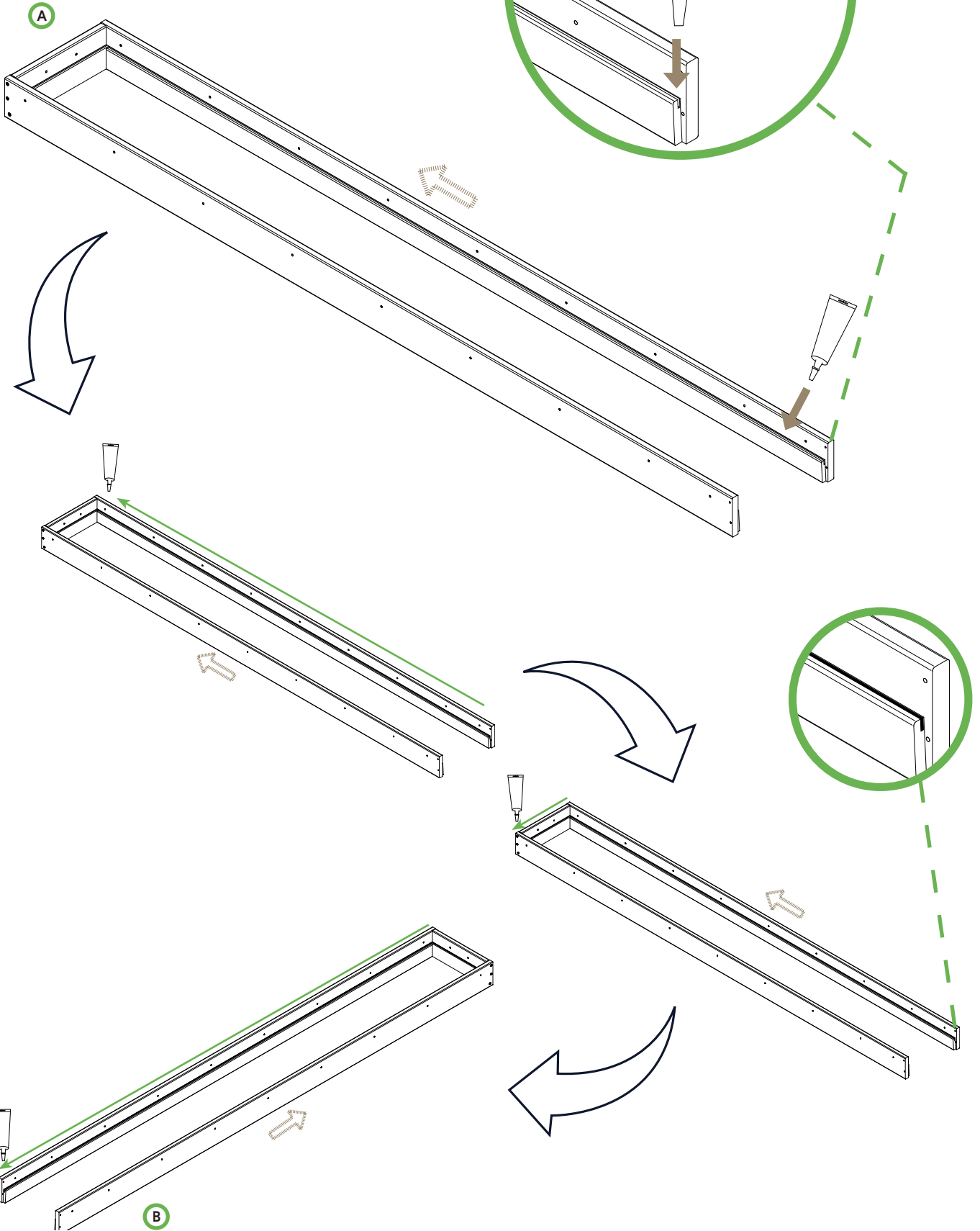
STEP-BY-STEP ASSEMBLY INSTRUCTIONS

1

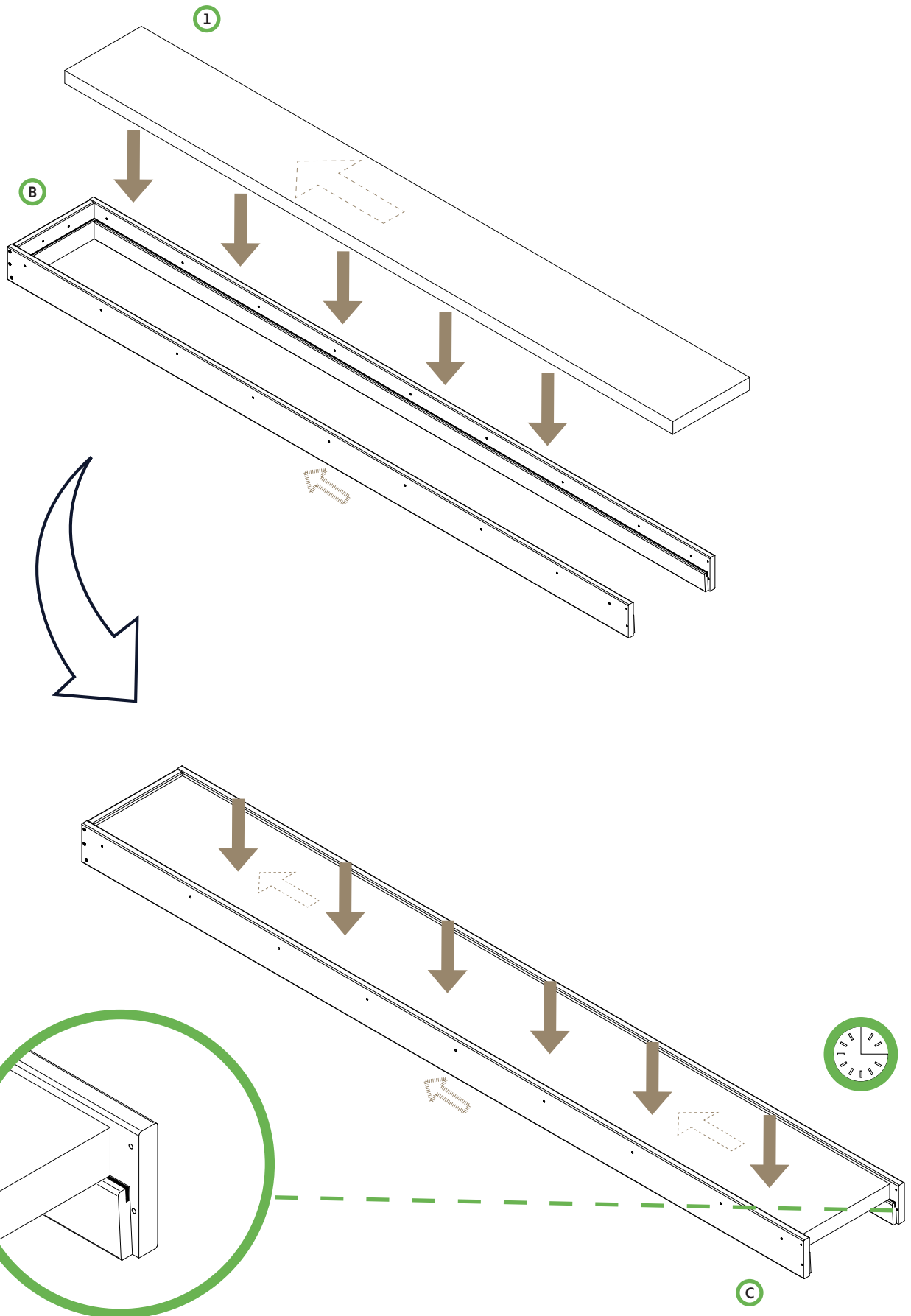


5 PRE HUNG DOOR SIDELITE FRAME ASSEMBLY

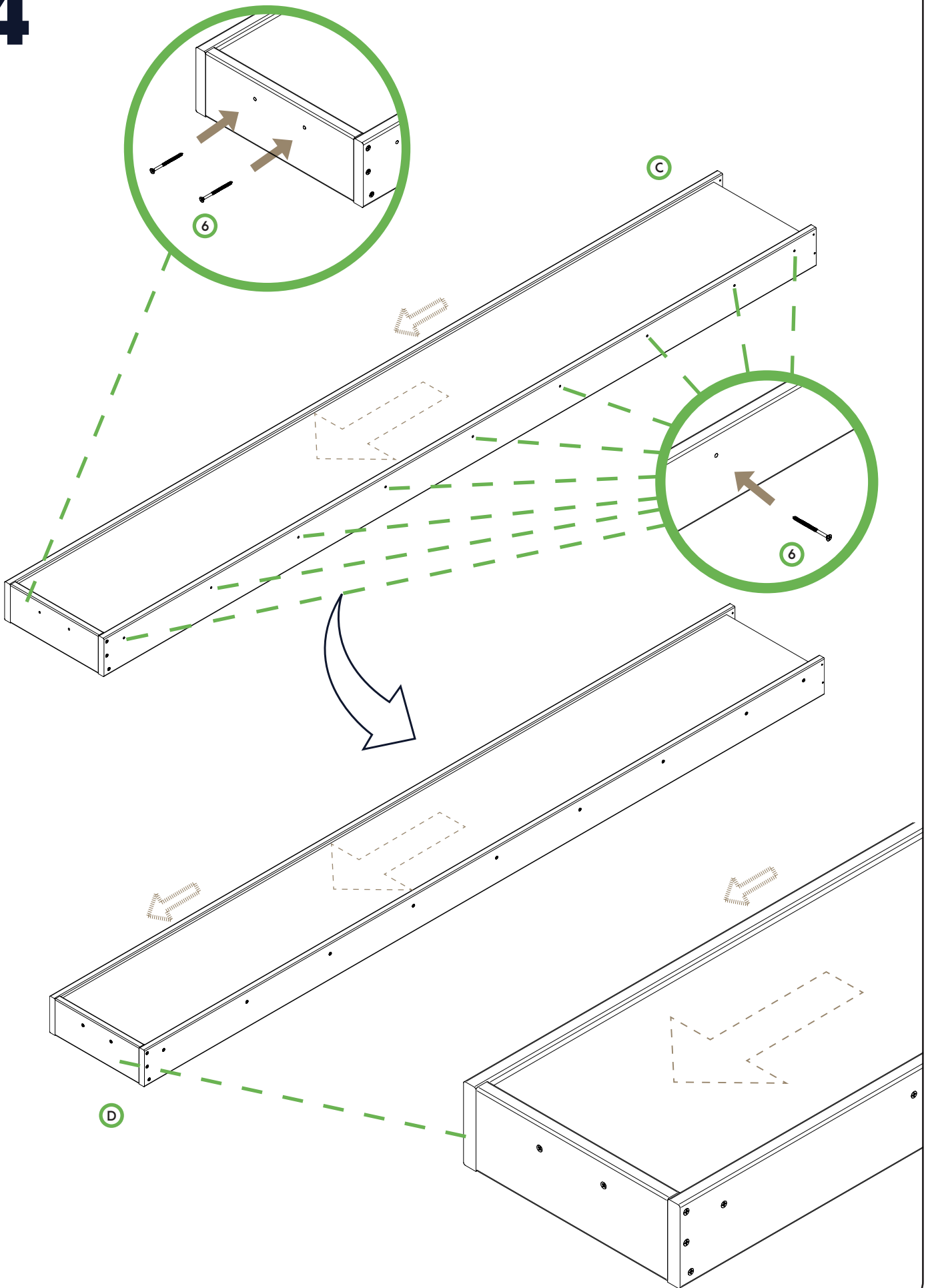
2



3



4



5

