

INSTRUCTION MANUAL

Carport


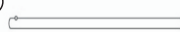


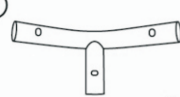











IF YOU PURCHASED THE CARPORT ONLINE AND HAVE ANY
 QUESTIONS OR CONCERNS
 PLEASE CONTACT US WITH EMAIL OR TEXT

EMAIL: yardsightfurniture@outlook.com

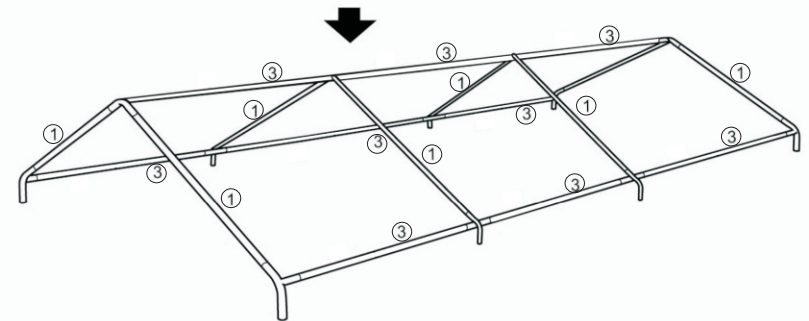
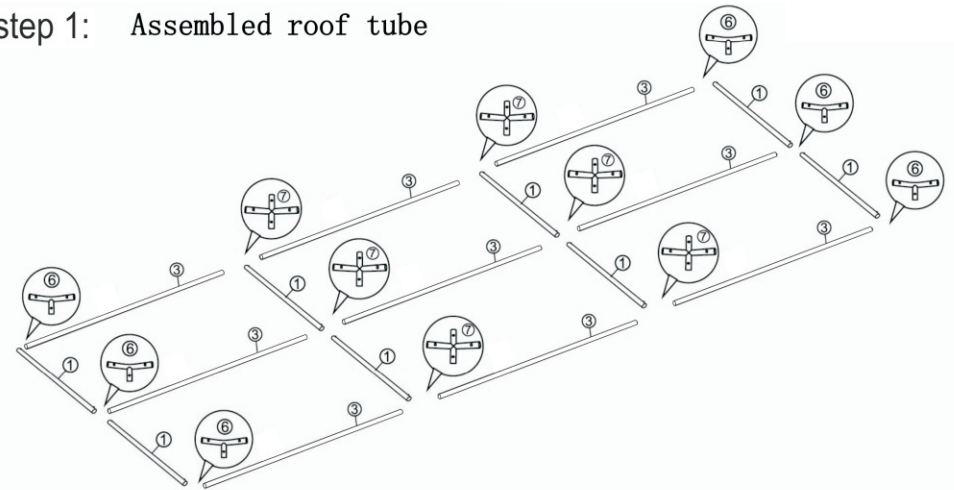
TEXT: +1 323-400-0363

Please choose a suitable place before putting up the carport,
 you can insert the figure 9 nail and screw nail, this is very important for the carport.
 Please read the instruction manual carefully before using it.
 Please assemble strictly in accordance with the instruction.
 Please double check to the ensure that all parts of the package contents intact.

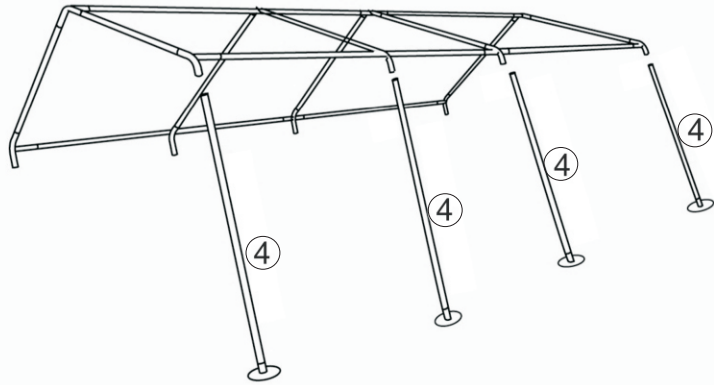
Parts List

| | | | |
|---|--|--|---|
| ①  8pcs | ③  9pcs | ④  8pcs | ⑤  16pcs |
| ⑥  6pcs | ⑦  6pcs | ⑧  8pcs | ⑨  8pcs |
| ⑩  80pcs | ⑪  8pcs | ⑫  2pcs | ⑬  4pcs |
| ⑭  1pc | ⑮  2pcs | ⑯  2pcs | ⑰  4pcs |

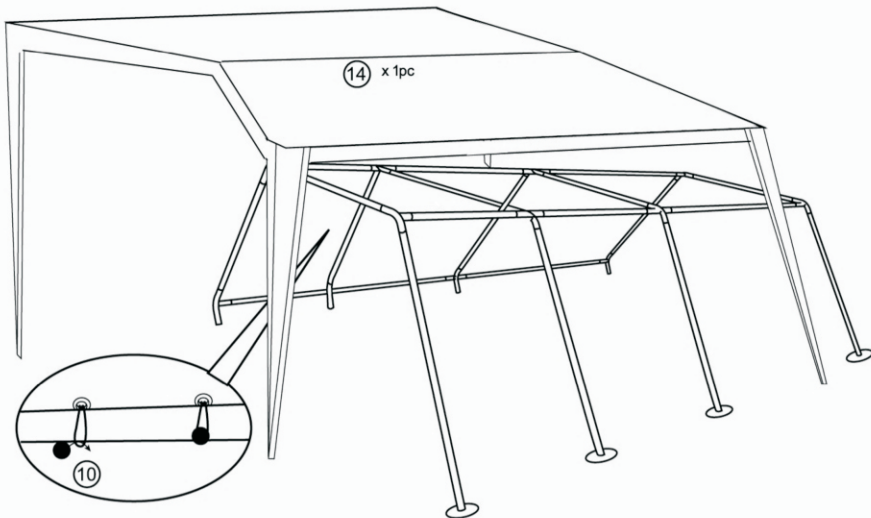
step 1: Assembled roof tube



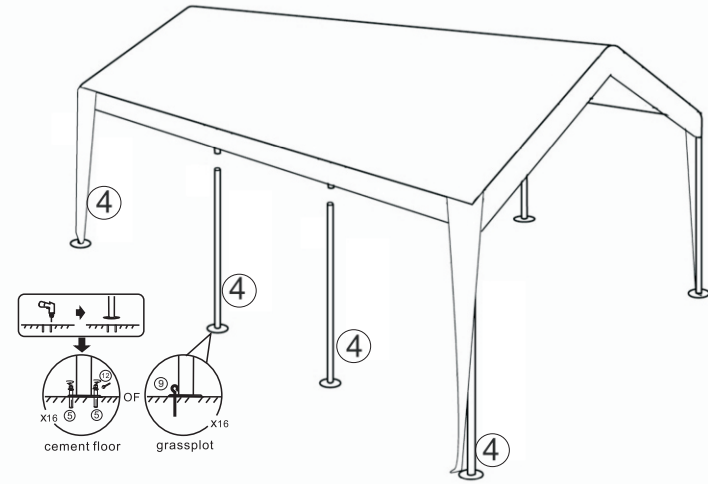
step 2: Assembled one side of the leg tube



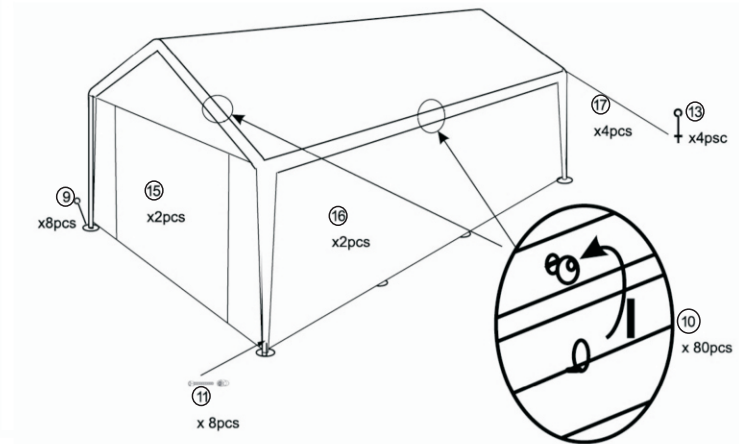
step 3: Assembled the cover 14, Connect the roof to the frame with marbles 10



step 4: Assembled another side of the leg tube



step 5: Assembled the front , rear and side walls, fix them with marbles 10, and fix the carport with rope 17 and peg 13



IF YOU PURCHASED THE CARPORT ONLINE
AND HAVE ANY QUESTIONS OR CONCERNS
PLEASE CONTACT US WITH EMAIL OR TEXT

EMAIL: yardsightfurniture@outlook.com
TEXT:+1 323-400-0363