

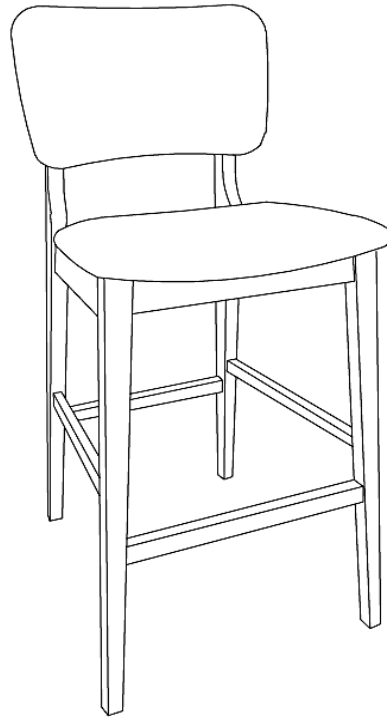
Assembly Instructions

Caution: You must read this before you proceed



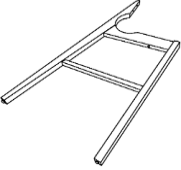
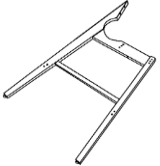
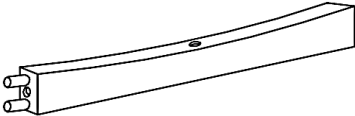
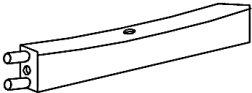
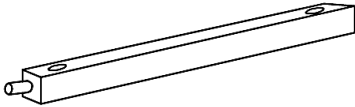

Please look in the plastic bag for hardware pack.

Sets often ship in multiple boxes and may arrive a day or two apart.

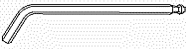
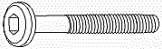
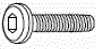


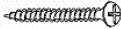


Bar Chair



Part List

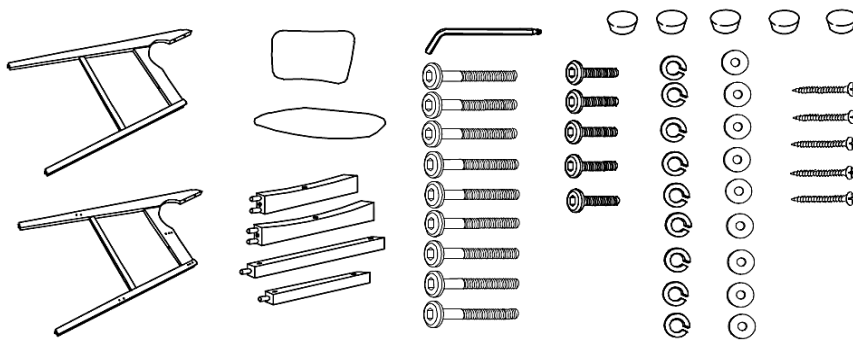
Label	Picture	Description	QTY
A		Cushion Back	1
B		Cushion Seat	1
C		Left Leg	1
D		Right Leg	1
E		Front Panel	1
F		Back Panel	1
G		Front Lower Panel	1
H		Back Lower Panel	1






Hardware

Label	Picture	Description	QTY
①		Allen Wrench (M4 X 110mm)	1
②		JCBC Bolt (M6 X 50mm)	9
③		JCBC Bolt (M6 X 30mm)	5
④		Spring Washer (M6mm)	9
⑤		Washer (M6 X 13mm)	9
⑥		Pan Head CBS (M5 X 38mm)	5
⑦		Wood Button (Ø14.5 X 9mm)	5
⑧		Screwdriver (Not provided)	1

Assembly Preparation

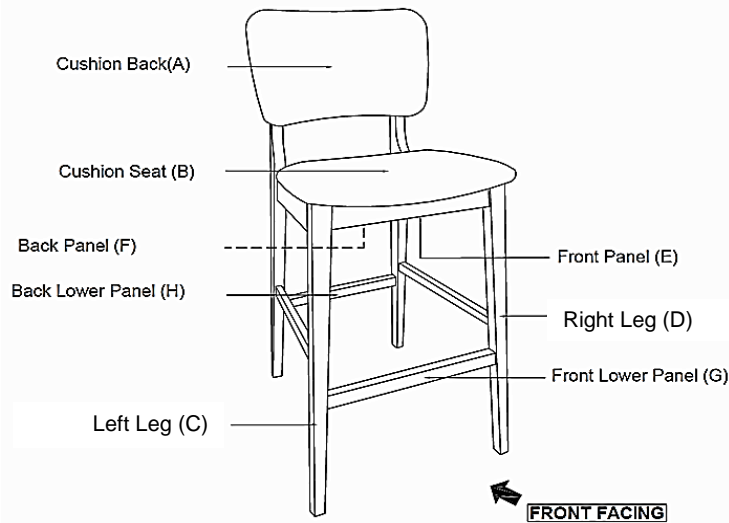
Before Beginning Assembly:



-  • Read instructions, cover to cover-
-  • Have 2 adults on hand for assembly-
-  • Do not assemble on flooring or carpet-
-  • Assemble on a clean non-marring surface (packing foam)-
-  • Save all packaging until finished-

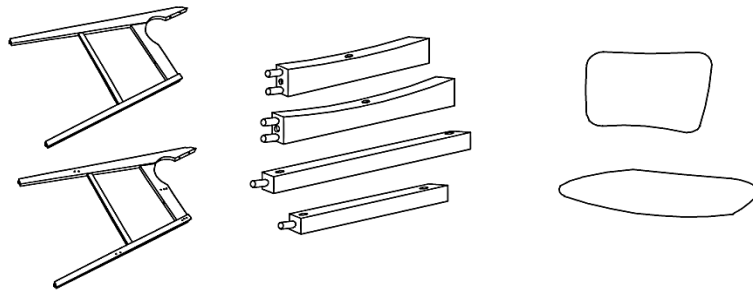
Assembly Steps

Overview



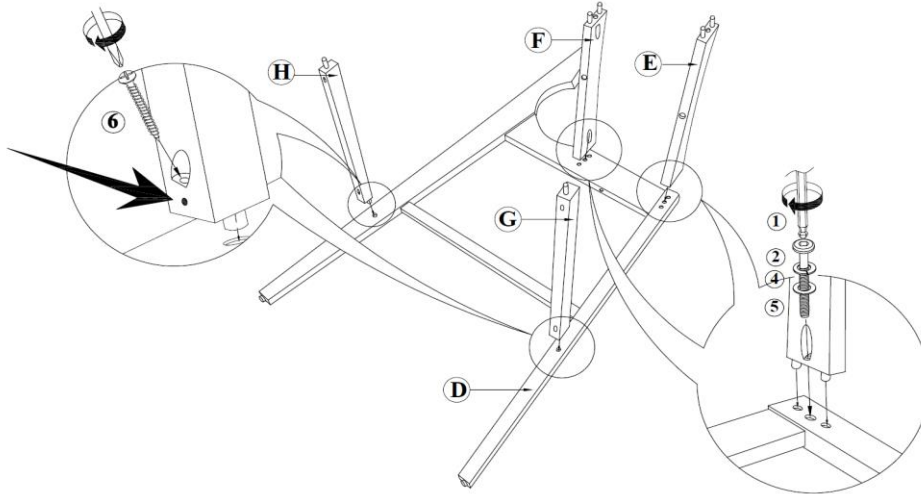
This Bar Chair has multiple parts and may require up to some 15 minutes to assemble. To give you an overview of the Bar Chair parts, the above picture is to help you put the various parts into perspective. Please read through the instructions below to familiarize yourself with the parts and steps before assembly.

Step 1



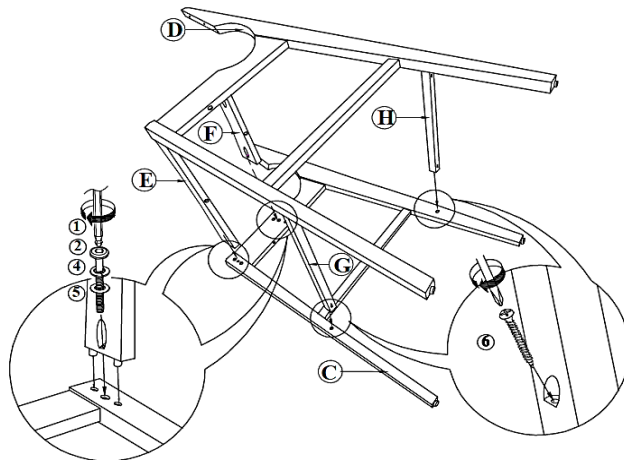
Unpack and place all parts on a clean, non-marring surface.

Step 2



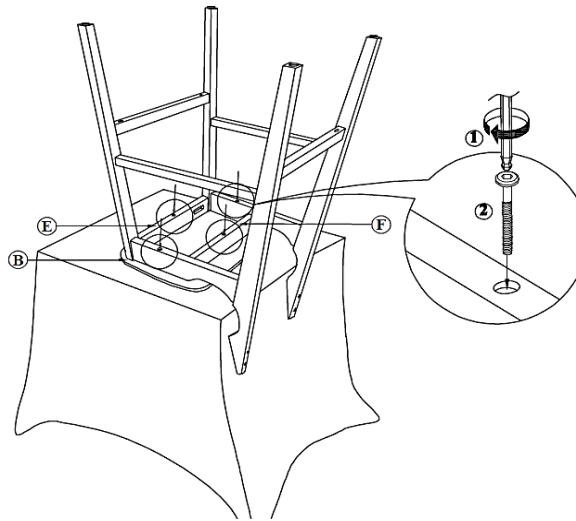
Attach Right Leg(D) to Back Panel(F) and Front Panel(E) using JCBC Bolts(②), Spring Washers(④) and Washers(⑤) with Allen Wrench(①).
Align and follow hole direction attach Back Lower Panel(H) and Front Lower Panel(G) to Right Leg(D) using Pan Head CBS(⑥) with Screwdriver.(⑧)
Do not fully tighten the Bolts or Screws.

Step 3



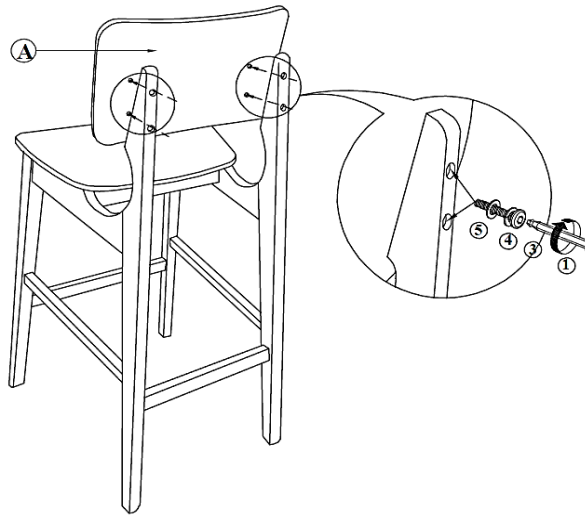
Attach to Back Panel(F) and Front Panel(E) to Left Leg(C) using JCBC Bolts(②), Spring Washers(④) and Washers(⑤) with Allen Wrench(①).
Align and attach Back Lower Panel(H) and Front Lower Panel(G) to Left Leg(C) using Pan Head CBS(⑥) with Screwdriver(⑧).
Do not fully tighten the Bolts or Screws.

Step 4



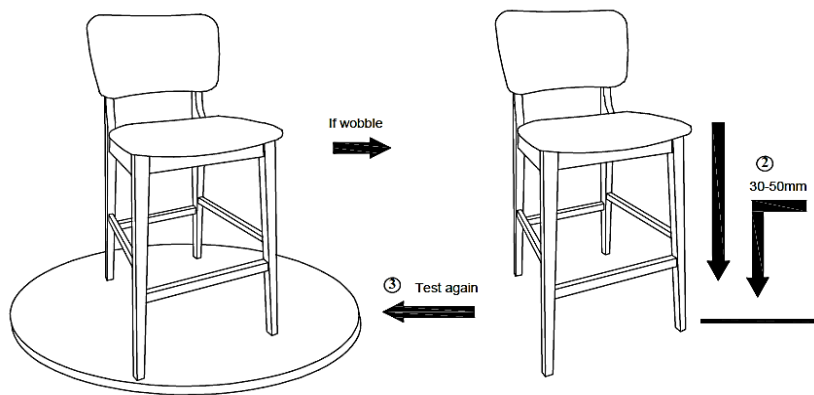
Attach Cushion Seat(B) to Front Panel(E) and Back Panel(F) using JCBC Bolts(②) with Allen Wrench(①).
Do not fully tighten the Bolts.

Step 5



Attach Cushion Back(A) to Left Leg(C) and Right Leg(D) using JCBC Bolts(③), Spring Washers(④) and Washers(⑤) with Allen Wrench(①).
Do not fully tighten the Bolts.

Step 6



Place the Bar Chair on a Level Surface to check for wobbles.

If it wobbles lift the Bar Chair some 30mm to 50mm high from the ground, keep your feet and toes well away from the drop zone, then drop the Bar Chair freely and vertically with the four legs hitting the ground at the same time. This Drop test will help ensure that all parts and gaps reach full alignment status.

Test again for evenness on level Surface.

If no wobbles are found, proceed to tighten all Bolts in sequential manner.

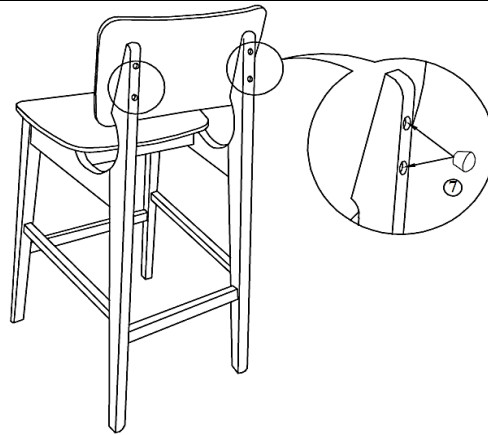
When tightening the Bolts, tighten sequentially.

Do not tighten any Bolt fully and then move on towards the next one, this could cause the frame to warp.

If it still wobbles, loosen the Bolts and execute this same drop test.

If the Bar Chair is not Stable it could lead to damage to the product.












Step 7



Insert Wooden Buttons(⑦) into Left Leg(C) and Right Leg(D).
Your Bar Chair is ready for use.

This Bar Chair can only be used on a flat, level surface.

Care & Maintenance

- ✓  Furniture may scratch floors. We recommend using furniture pads to protect your floors.
- ⊘  Do not put hot items directly on furniture surface.
- ⊘  Do not clean furniture with harsh cleansers or polish.
- ⊘  Do not place furniture under direct sunlight.
- ⊘  Do not place furniture near heating or cooling vents.
- ⊘  Do not write on furniture without a padded barrier to protect the surface.
- ⊘  Do not place furniture outside . For indoor use only.
- ⊘  Not for commercial use. For residential use only.
- ⊘  Stains may be removed with mild soap solution and damp cloth.
- ⊘  Children should not climb or jump on the furniture.
- ✓  Dust and pick-up spills using a clean, non-colored, lint-free cloth.