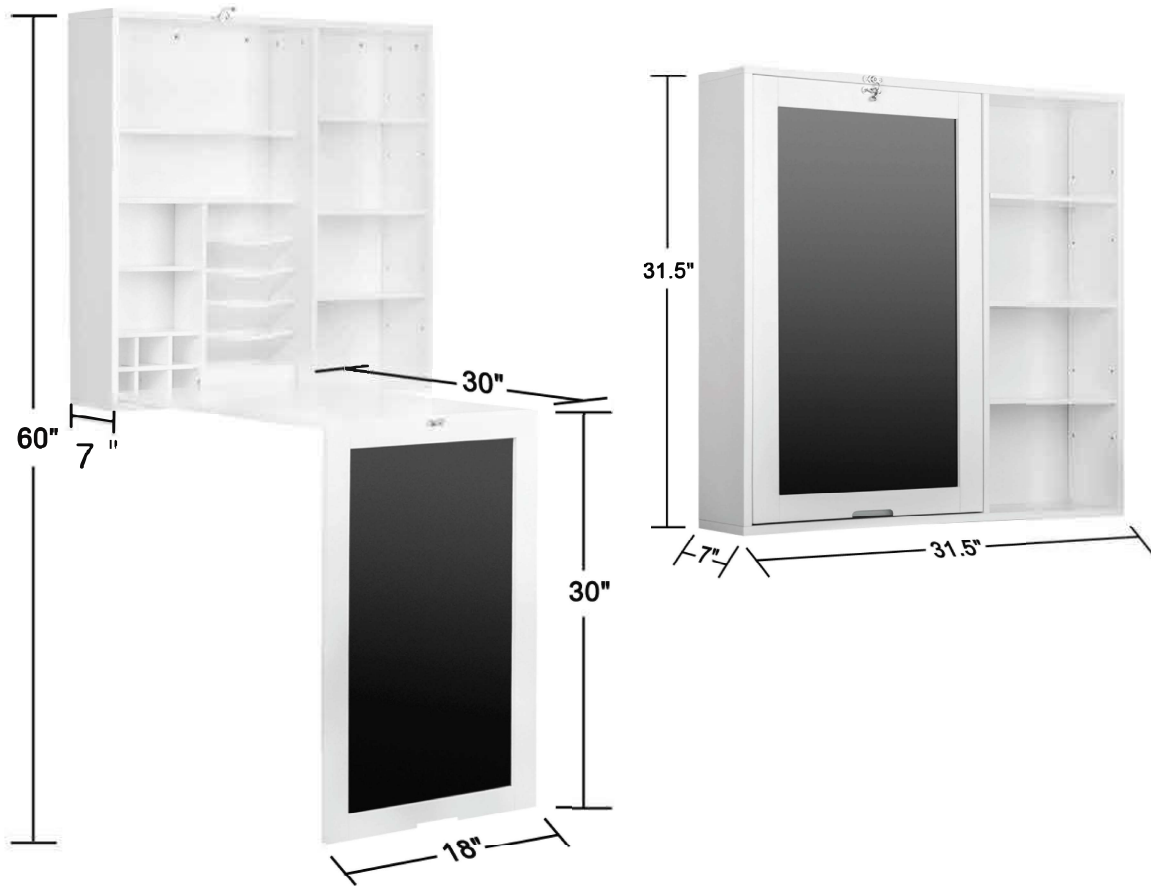


# Installation Instructions



Thank you for purchasing Products. Please contact us if you have difficulty with assembly or need replacement parts. Customer service is here to assist you.

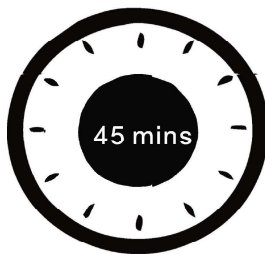
## WARNING

Serious or fatal injury may occur from assembly or usage when not following our instructions.

1. During the assembly process, keep all parts away from babies or children.
2. Always securely fix this product to the wall. Make sure the wall area to be drilled is free from hidden electrical wires, water and gas pipes.
3. Use of tip-over restraints may only reduce, but not eliminated the risk of tip-over.
4. Unless specially designed to accommodate, do not set heavy objects on top of this product.
5. Place the heaviest items on the lowest shelf.
6. Never allow children to climb or hang on drawers, doors or shelves.
7. Manufacturer and seller expressly disclaim any and all liability for personal injury, property damage or loss, whether direct, indirect, or incidental, resulting from the incorrect attachment, improper use, inadequate maintenance, or neglect of this product.

## Assembly Instructions

We have designed our furniture with you, the customer in mind. Our clear, easy to follow step by step instructions will guide you through the project from start to finish. Feel confident that this will be a fun and rewarding project. The final product will be a quality pieces of furniture that will go together smoothly and give years of enjoyment.



Space for  
assembling

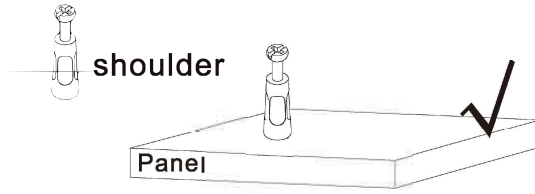
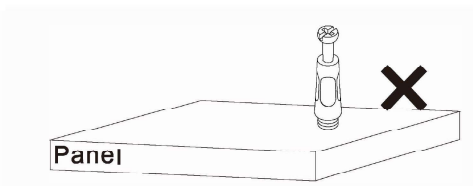
100 Sq feet

## Before assembly

Tips before you start:

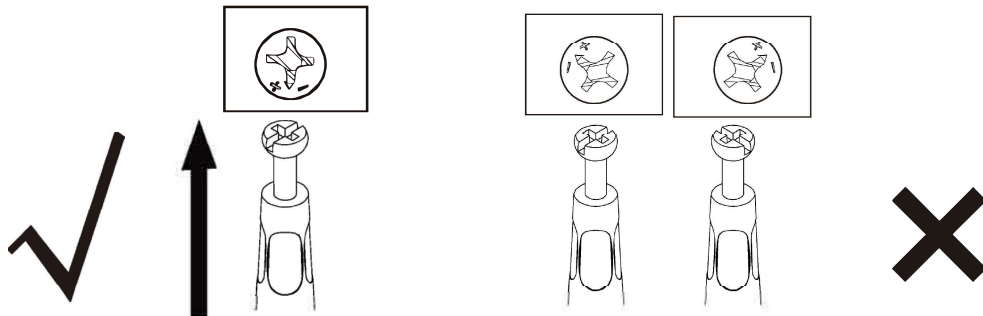
- Remove all wrapping material, including staples & packing straps before you start to assemble.
- DO NOT tighten all screws and bolts until completely assembled.
- Keep all hardware parts out of reach of children.

# QUICKFIT



Tighten quickfit until shoulder is flush with panel. Do not overtighten or undertighten.

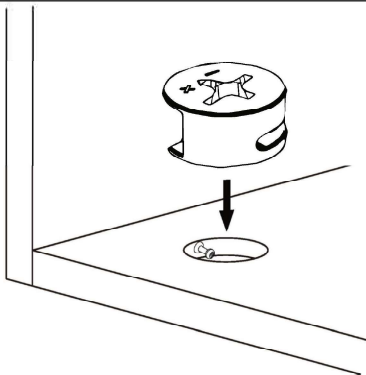
# CAM LOCK



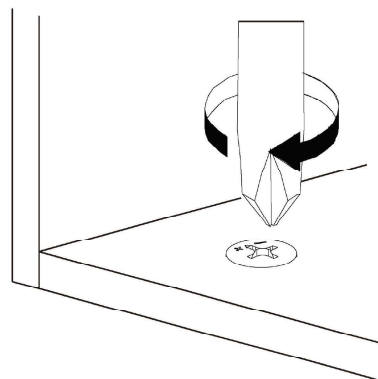
CORRECT

WRONG

When fitting cam lock, ensure starting position is correct before you insert cam lock to quickfit.



Quickfit head should be in the center of the cam lock. When the two panels are joined. Cam lock should be inserted before quickfit.



Turn cam lock clockwise to tighten.

# Installation Instructions

Before assembling the product, all shelves and screws should be ready and arranged in order. Please check all parts are in place, this require at least two adults to assemble.

When unpacking, please be careful not to discard any parts with the packaging. Before continuing, please make sure you have the following parts:

<b>A</b> 10PCS	<b>B</b> 2PCS	<b>C</b> 24PCS	<b>D</b> 32PCS	<b>E</b> 30PCS	<b>F</b> 2PCS	<b>G</b> 2PCS	<b>H</b> 1PC
<b>I</b> 10PCS	<b>J</b> 1PC	<b>K</b> 8PCS	<b>L</b> 12PCS	<b>M</b> 12PCS	<b>N</b> 16PCS		

The parts numbers are stuck on the side of each board.

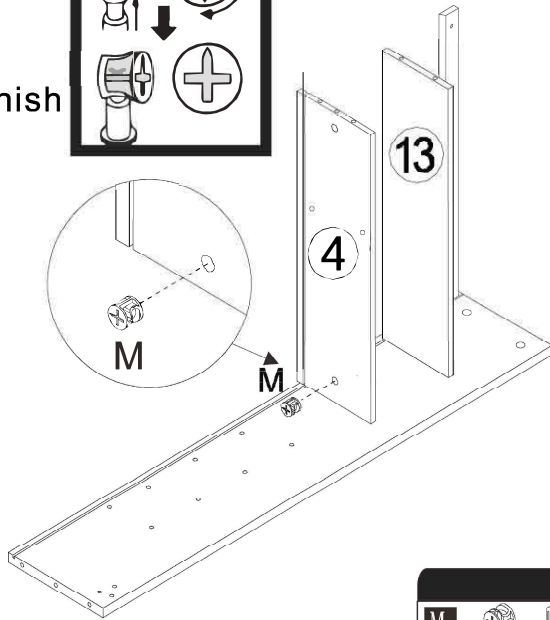
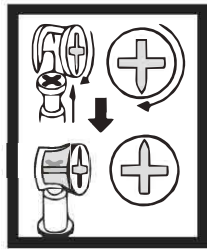
 QTY 1	 QTY 1	 QTY 1	 QTY 1
 QTY 1	 QTY 4	 QTY 1	 QTY 1
 QTY 2	 QTY 1	 QTY 1	 QTY 1
 QTY 1	 QTY 1	 QTY 1	 QTY 1
 QTY 1	 QTY 1	 QTY 1	 QTY 2
 QTY 1	 QTY 1	 QTY 1	 QTY 1
 QTY 1	 QTY 1	 	At least 2 Philip screwdrivers needed: 1) Around 4" length 2) 7" length (NOT INCLUDED)



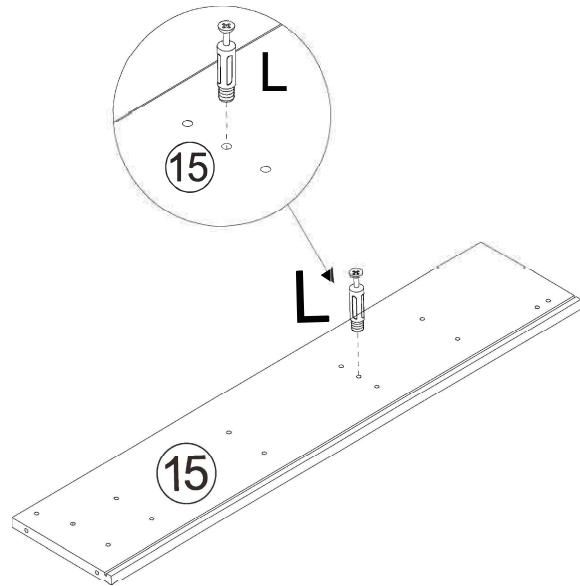
5

Start

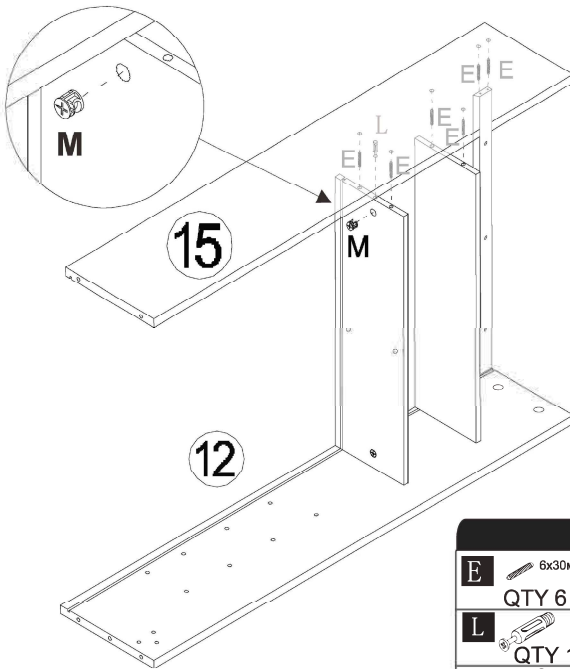
Finish



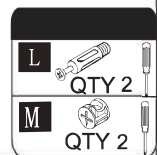
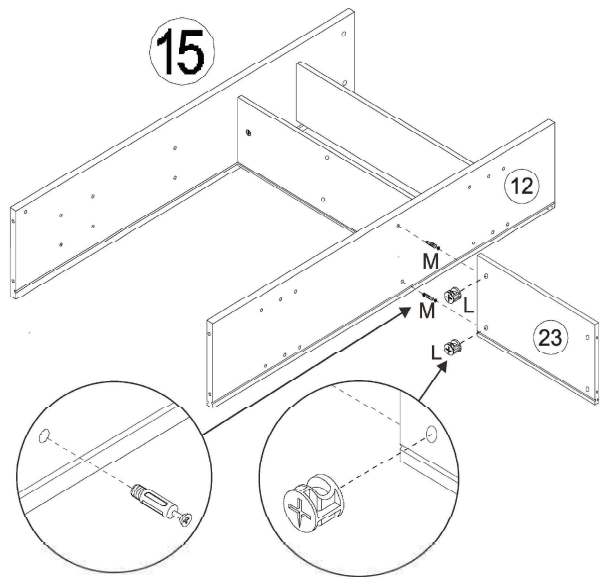
6



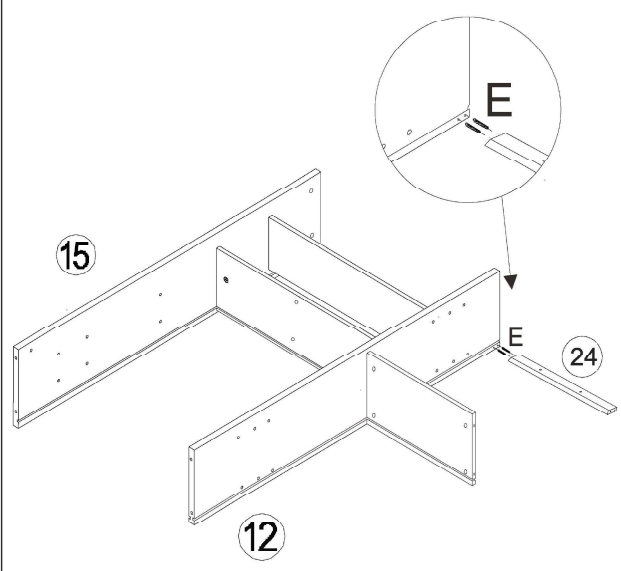
7



8

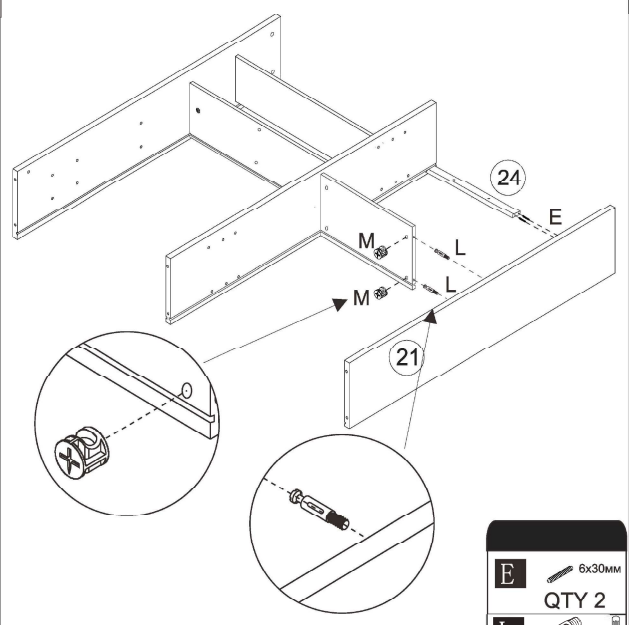


9



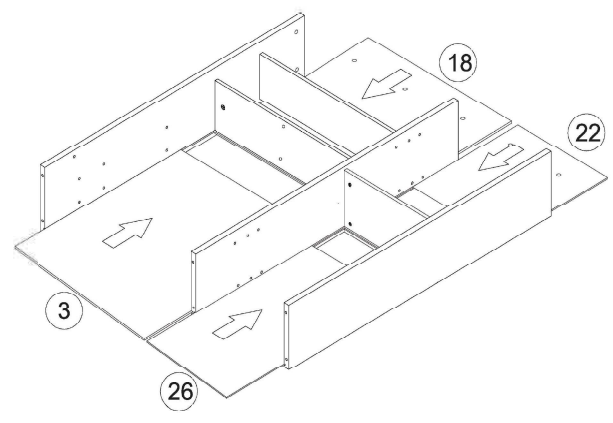
E	6x30MM
QTY 2	

10

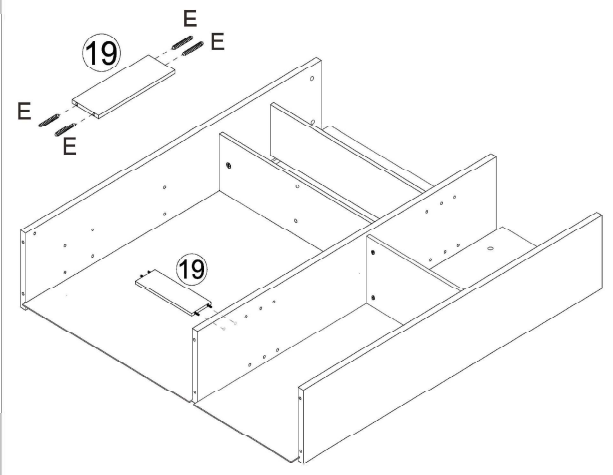


E	6x30MM
QTY 2	
L	
QTY 2	
M	
QTY 2	

11

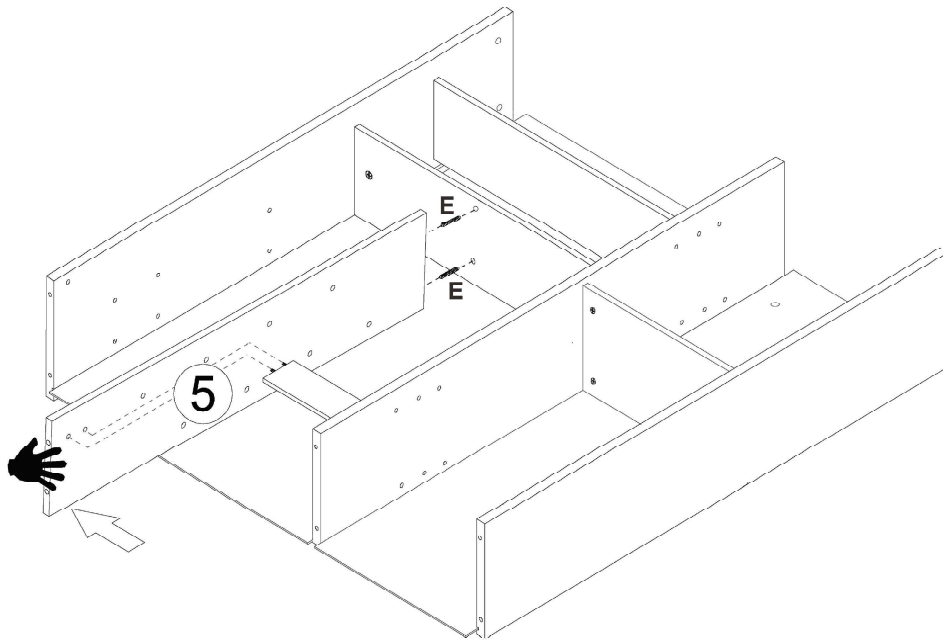


12



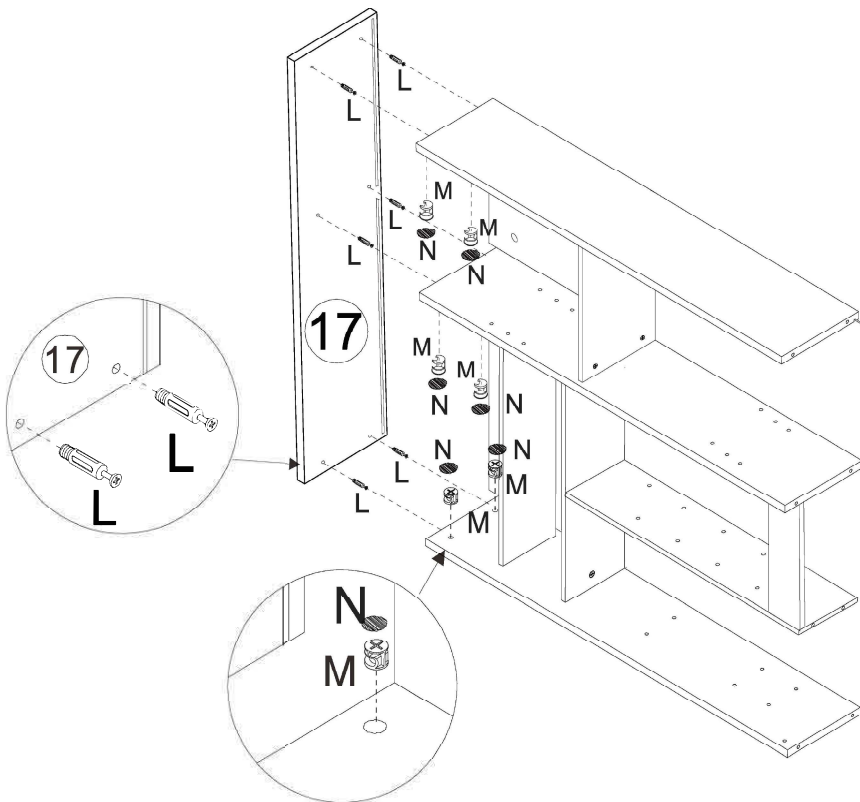
E	6x30MM
QTY 4	






13



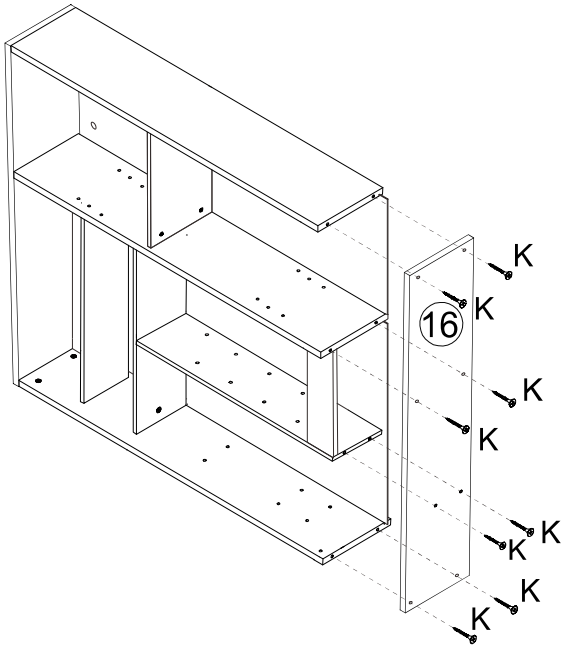
<b>E</b>		6x30mm
QTY 2		

14



<b>L</b>			QTY 6
<b>M</b>			QTY 6
<b>N</b>			QTY 6

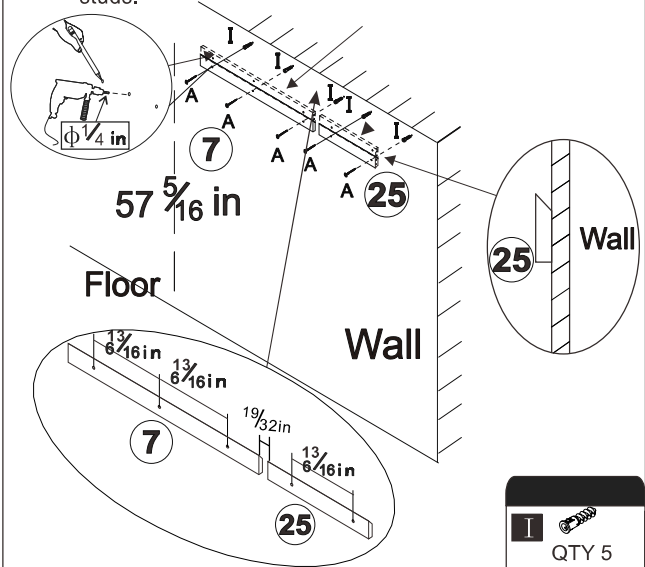
15



<b>K</b>		4x30mm	QTY 8
----------	--	--------	-------

16

Install the hanging rail (#7, #25) onto the wall first. There are 3 Pre-drilled holes on #7 and 2 Pre-drilled holes on #25 provided on the Hanging Rail for drilling directly into the wall. If the location of these pre-drilled holes do not line up with your studs, please drill new holes into the hanging rail, to line up with the location of your studs. Due to the weight of the desk, it is imperative that the hanging rail, and therefore the desk, be attached to the studs.

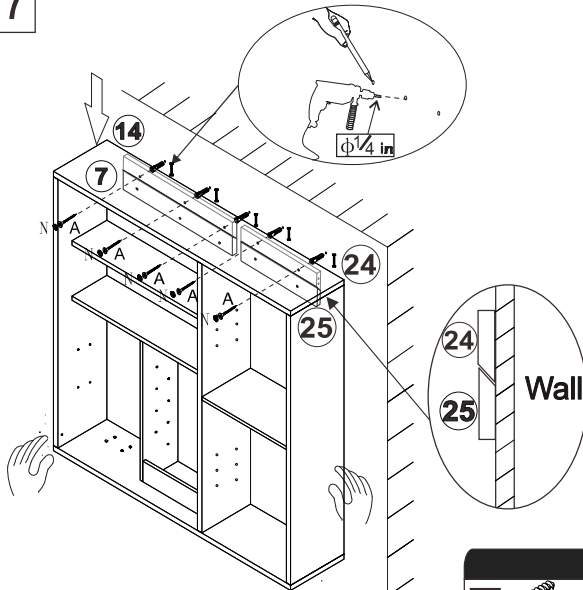


<b>I</b>		QTY 5
<b>A</b>		4x35mm QTY 5
<b>N</b>		QTY 5

If screwing into stud, no need for anchor.

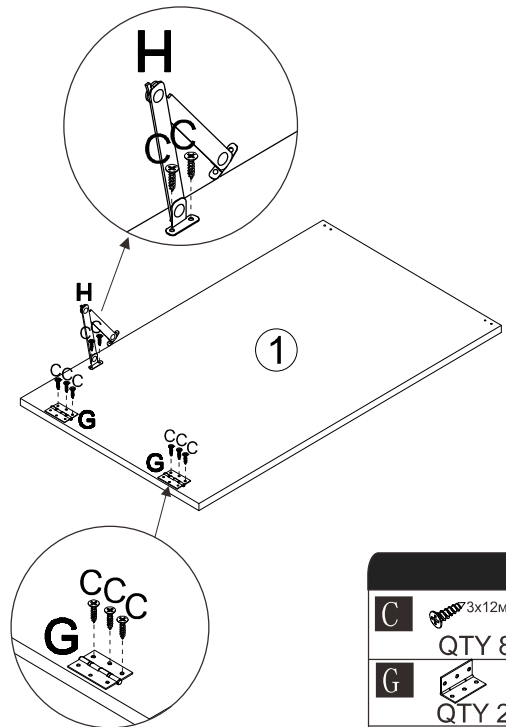
17

Then hang the cabinet onto the hanging rail.



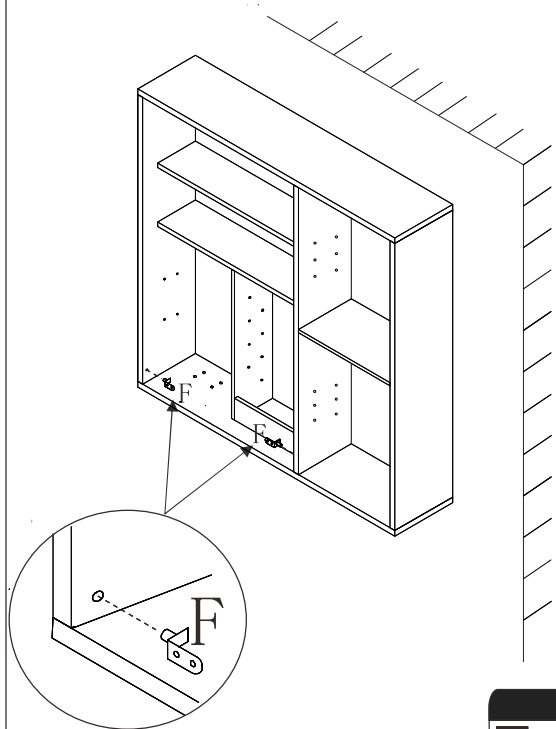
<b>I</b>		QTY 5
<b>A</b>		4x35mm QTY 5
<b>N</b>		QTY 5

18



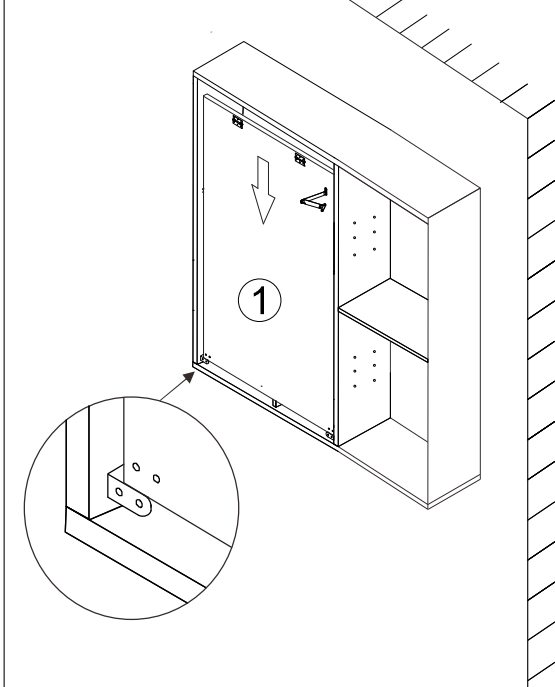
<b>C</b>		3x12mm QTY 8
<b>G</b>		QTY 2
<b>H</b>		QTY 1

19

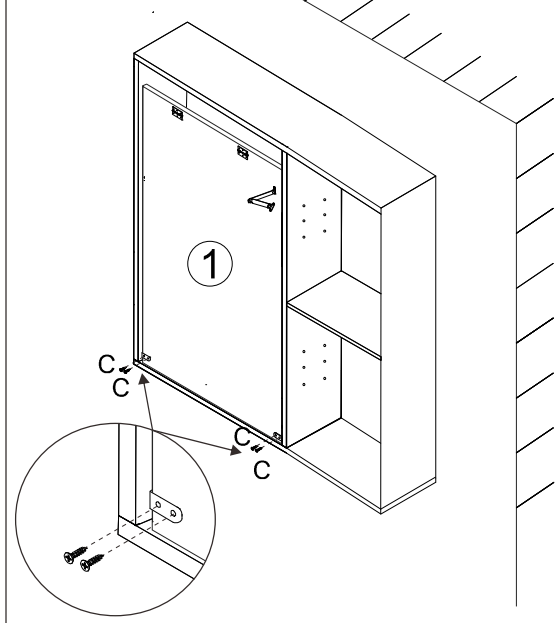


**F**  QTY 2

20

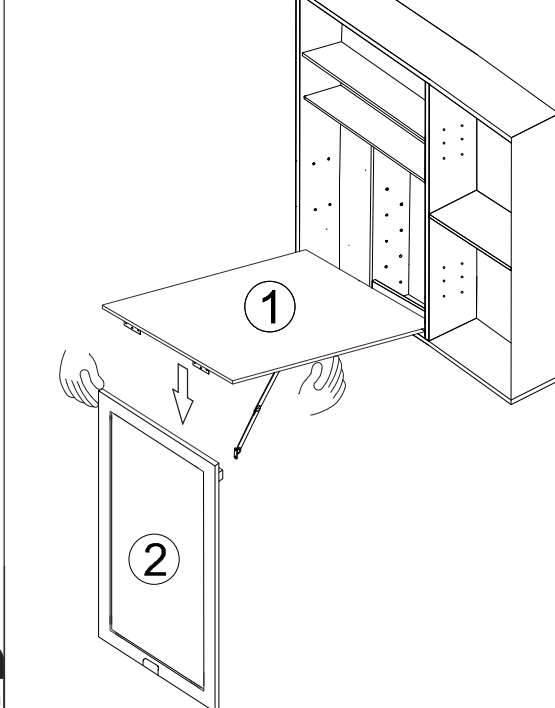


21



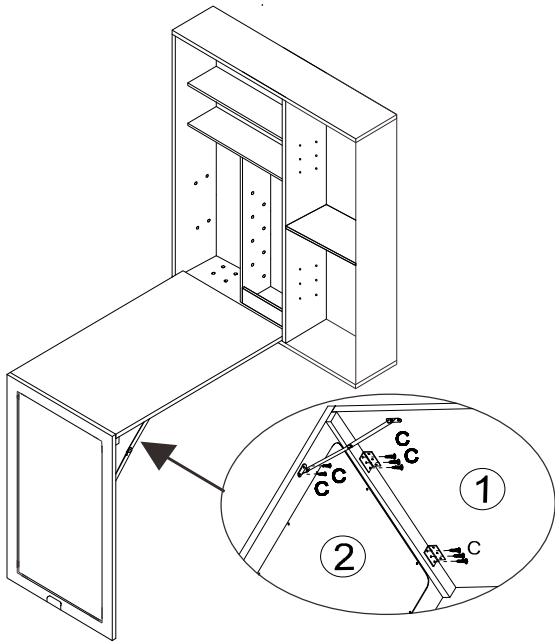
**C**  3x12mm QTY 4

22



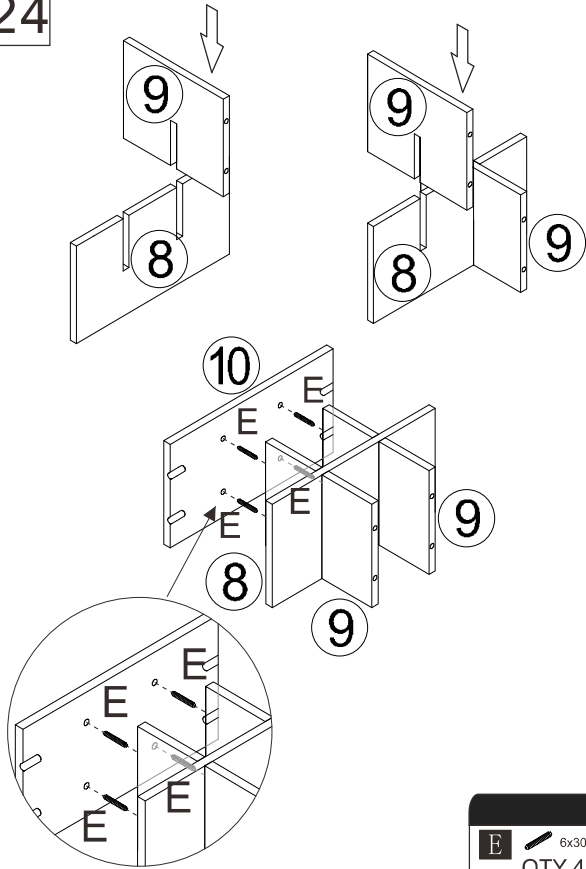
Pull down part#1 carefully to align with part#2.

23



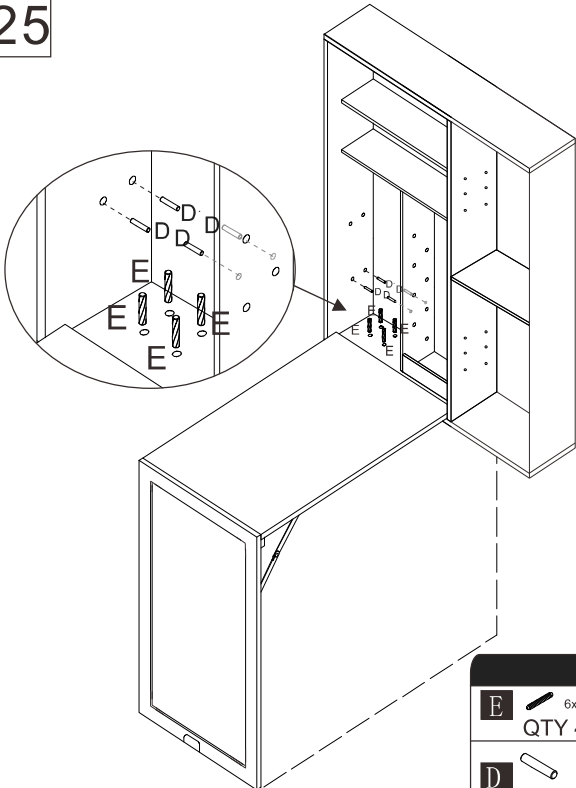
**C** 3x12mm  
QTY 8

24



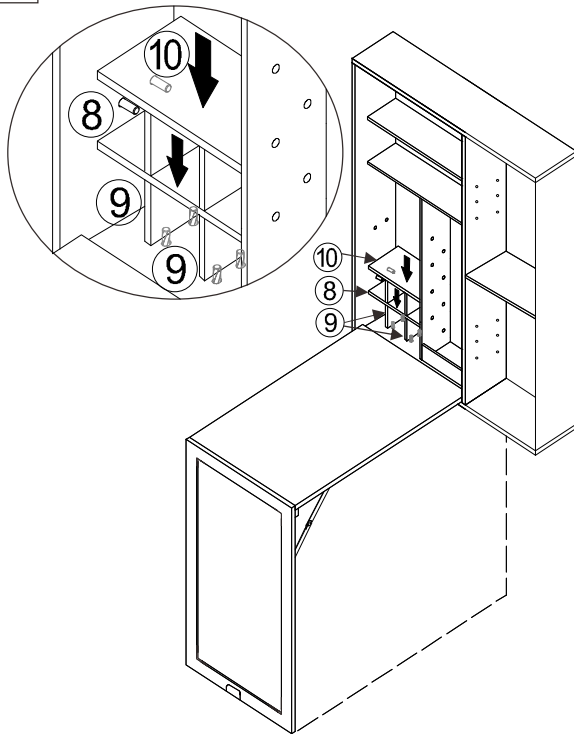
**E** 6x30mm  
QTY 4

25

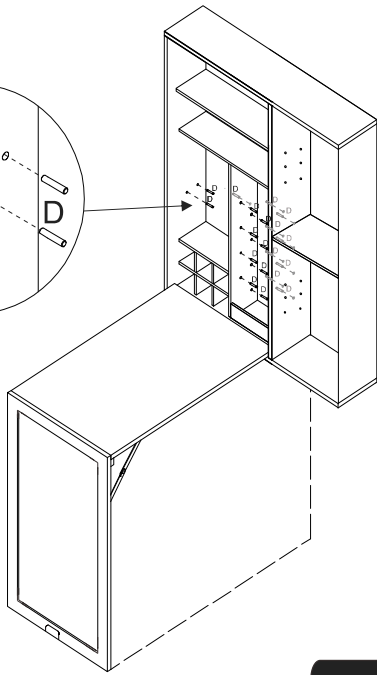
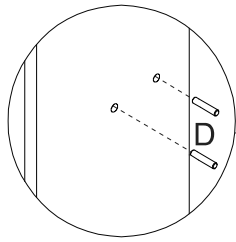


**E** 6x30mm  
QTY 4  
**D**  
QTY 4

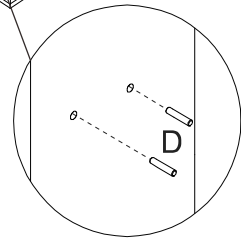
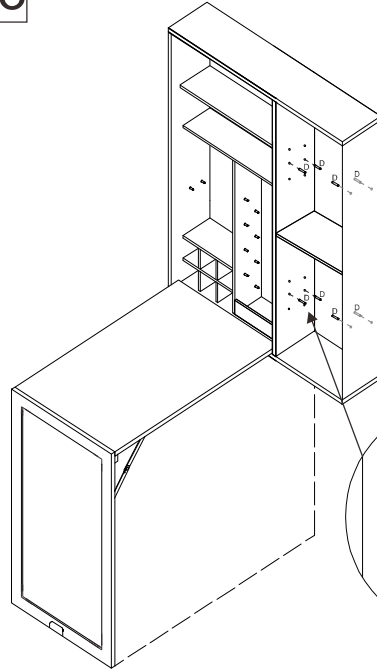
26



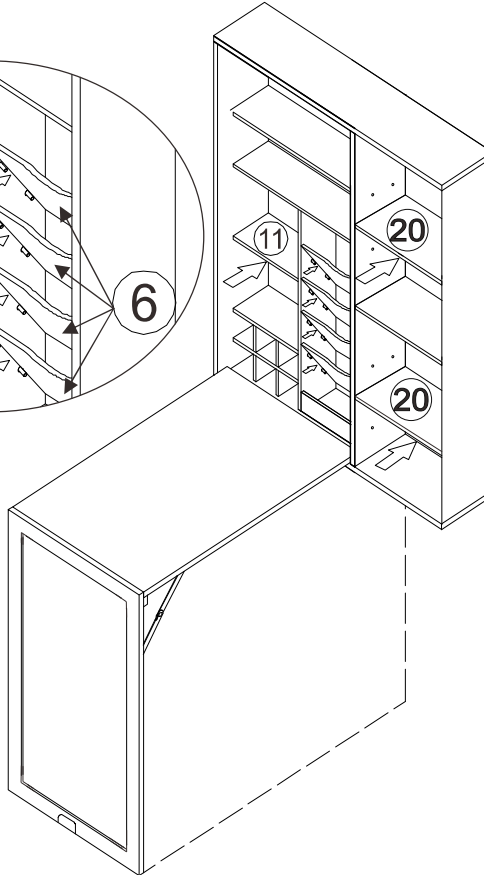
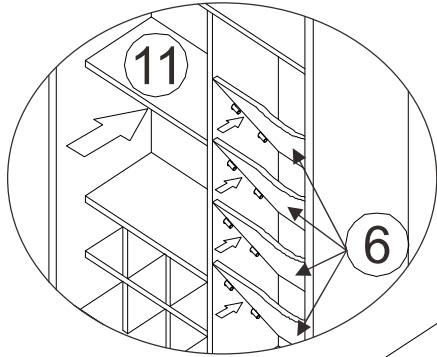
27



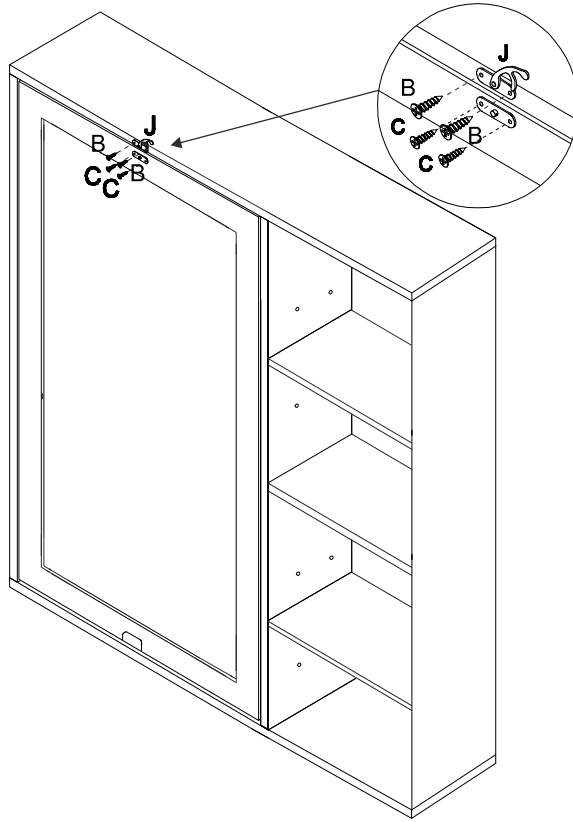
28









29



30



<b>B</b>	 3x18mm	
<b>C</b>	 3x12mm	
<b>J</b>		
	<b>QTY 2</b>	
	<b>QTY 2</b>	
	<b>QTY 1</b>	

31

