

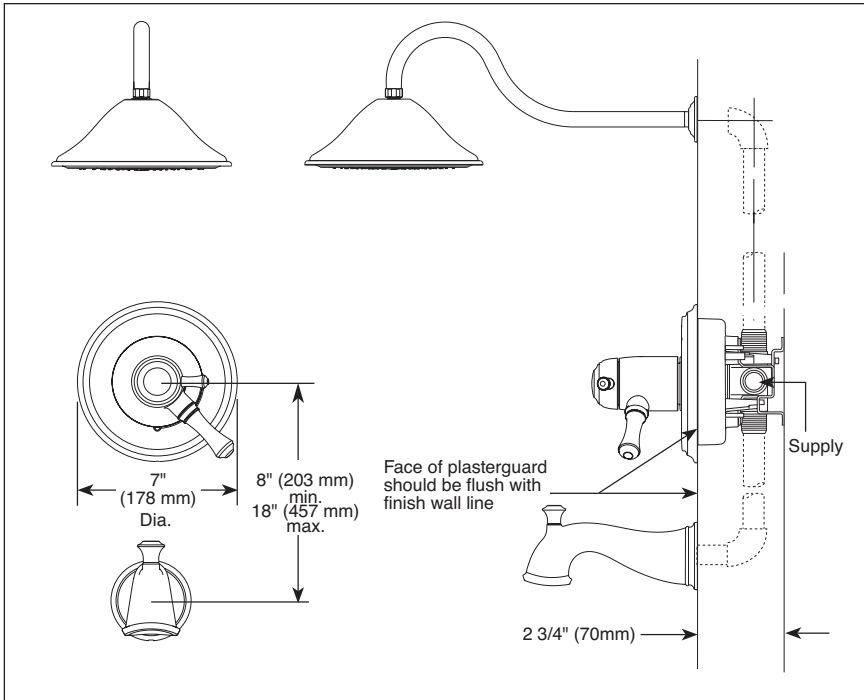
Specifications

TUB AND SHOWER FAUCET TRIM

- TempAssure® Thermostatic
- Valve Only
- Shower Only
- Tub/Shower

Submitted Model No.: _____

Specific Features: _____



FEATURES:

- TempAssure® 17T thermostatic valve cartridge
- "-H2O" models include H₂Okinetic® Technology shower head (-WE models only)

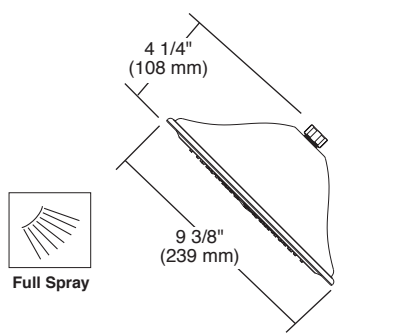
STANDARD SPECIFICATIONS:

- Thermostatic wax element maintains the outlet temperature to $\pm 3.6^{\circ}\text{F}$
- Must also order Universal rough separately (R10000)
- Back-to-back installation capability
- Solid brass forged body
- Lever volume control handle; temperature adjustment dial
- Graphics indicate hot/cold temperature adjustment
- Field adjustable to limit rotation into hot water zone
- All parts are replaceable from the front of the valve
- Adjusts for up to 1" wall thickness
- Raincan shower head maximum 2.5 gpm @ 80 psi, 9.5 L/min @ 550 kPa
- -H2O shower head maximum 1.75 gpm @ 80 psi, 6.6 L/min @ 550 kPa
- Tub port maximum flow rate 8.6 gpm @ 60 psi with R10000-UNBX
- Available extension kit [RP75136 adds up to 1 3/8" installation depth
- Shower arm overall horizontal length = 16" (406 mm), including threaded ends

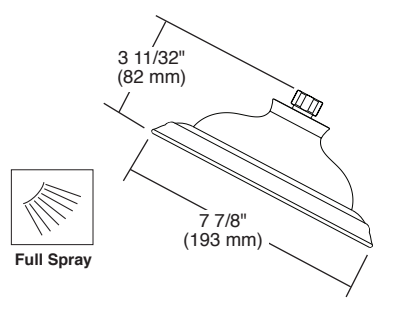
WARRANTY

- Parts and Finish - Lifetime limited warranty; or for commercial purchasers, 10 years for multi-family residential (apartments and condominiums) and 5 years for all other commercial uses, in each case from the date of purchase.
- Electronic Parts and Batteries (if applicable) - 5 years from the date of purchase; or for commercial purchasers, 1 year from the date of purchase. No warranty is provided on batteries.

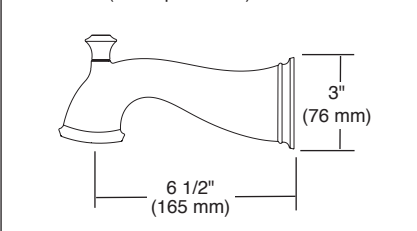
RP72568▲ 2.5 GPM Raincan Shower Head



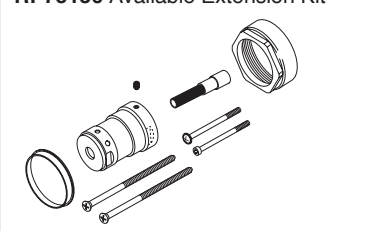
RP70172▲ 1.75 GPM H₂O Shower Head



RP72565▲ (Pull-Up Diverter)



RP75136 Available Extension Kit



COMPLIES WITH:

- ASME A112.18.1 / CSA B125.1
- ASSE 1016
- Indicates compliance to ICC/ANSI A117.1 - Valve control only
- EPA WaterSense® - Applies

▲ Designate Proper Finish Suffix

We reserves the right (1) to make changes in specifications and materials, and (2) to change or discontinue models, both without notice or obligation. Dimensions are for reference only. See current full-line price book for finish options and product availability.