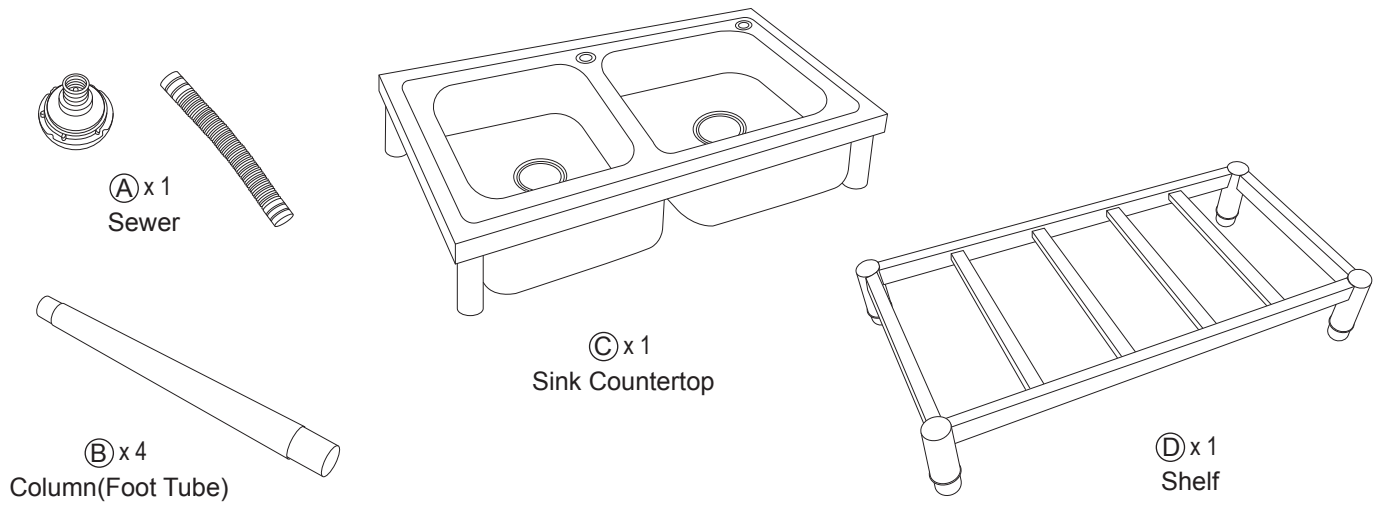
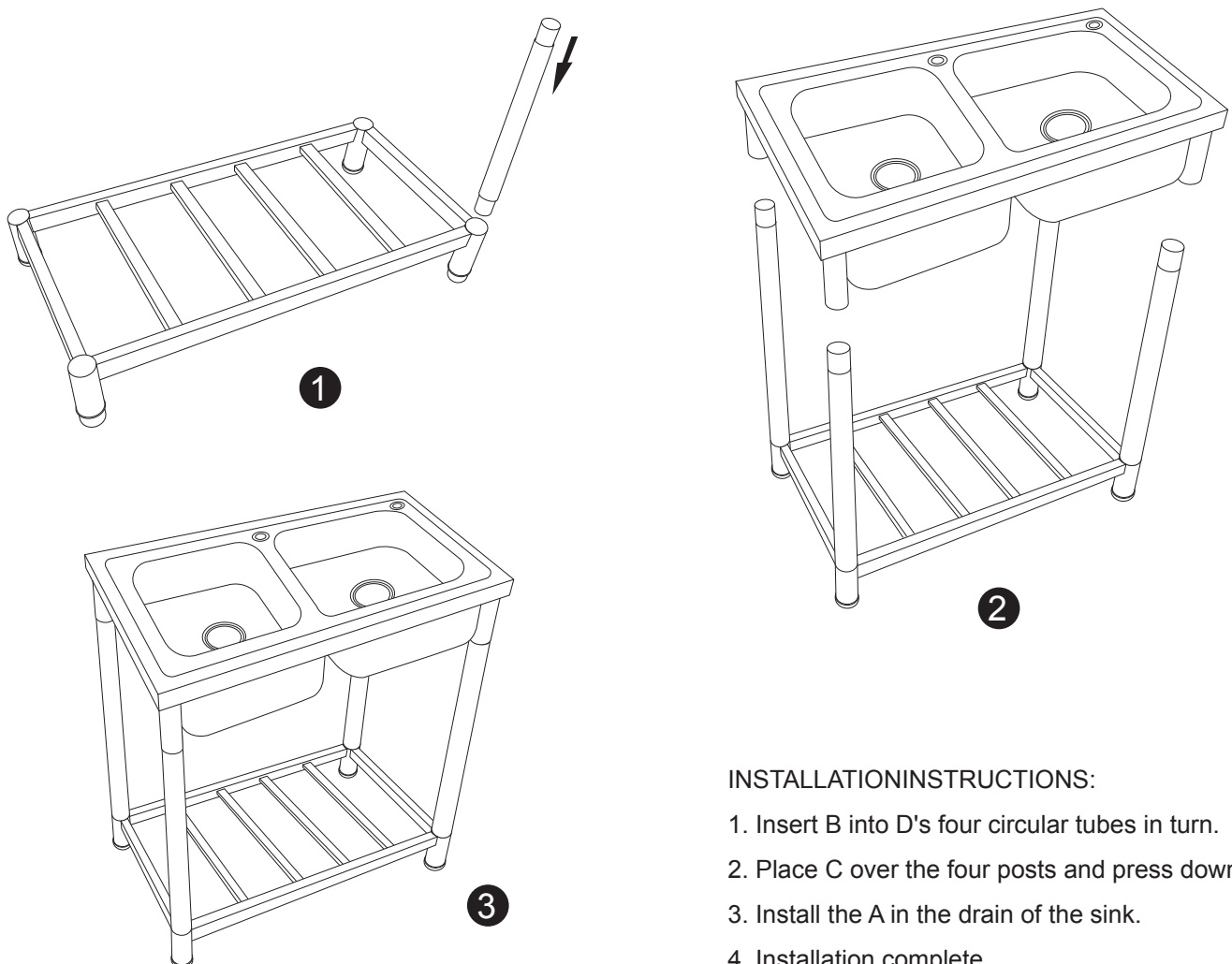


Stainless steel double sink

Product accessories



Schematic diagram of installation instructions



INSTALLATION INSTRUCTIONS:

1. Insert B into D's four circular tubes in turn.
2. Place C over the four posts and press down.
3. Install the A in the drain of the sink.
4. Installation complete.