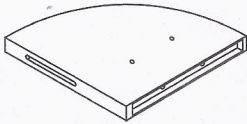
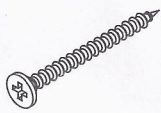

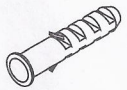
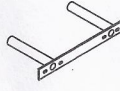
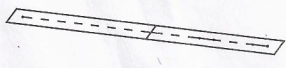


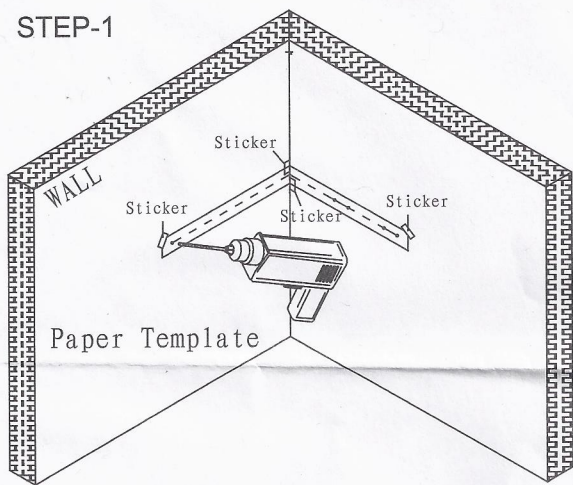
# Assembly Instructions



					 Paper Template <table border="1" data-bbox="1212 470 1340 548"> <tr> <td>Sticker</td> <td>Sticker</td> </tr> <tr> <td>Sticker</td> <td>Sticker</td> </tr> </table> Sticker × 4	Sticker	Sticker	Sticker	Sticker
Sticker	Sticker								
Sticker	Sticker								
A × 1	B × 5	C × 2	D × 5	F × 1					

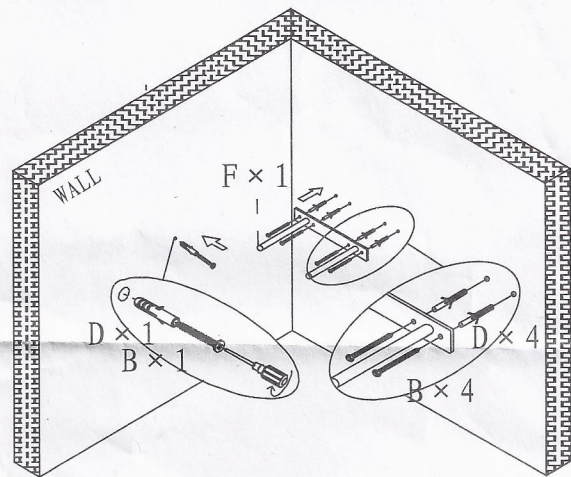
**Weight Capacity 11lbs**

STEP-1

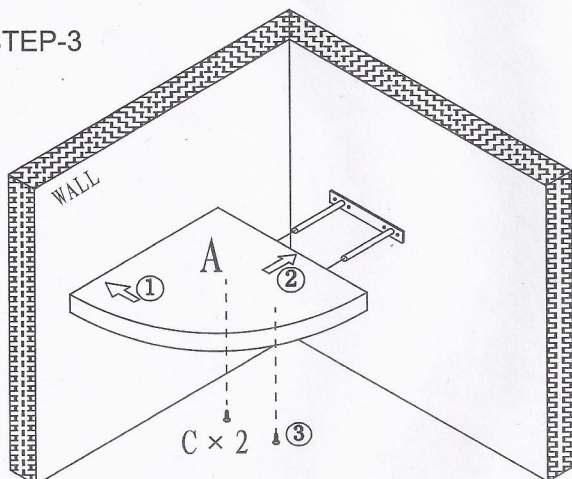


**STICK PAPER TEMPLATE ON THE WALL**

STEP-2



STEP-3



STEP-4

